



US00D588485S

(12) **United States Design Patent**  
**Katou et al.**

(10) **Patent No.:** **US D588,485 S**  
(45) **Date of Patent:** **\*\* Mar. 17, 2009**

(54) **FIRE DETECTOR**

(75) Inventors: **Tomohiro Katou**, Tokyo (JP); **Takashi Itou**, Saitama (JP); **Kenichi Katou**, Tokyo (JP)

(73) Assignee: **Nohmi Bosai Ltd.**, Tokyo (JP)

(\*\*) Term: **14 Years**

(21) Appl. No.: **29/325,155**

(22) Filed: **Sep. 26, 2008**

(30) **Foreign Application Priority Data**

Mar. 31, 2008 (JP) ..... 2008-008152

(51) **LOC (9) Cl.** ..... **10-05**

(52) **U.S. Cl.** ..... **D10/106**

(58) **Field of Classification Search** ..... D10/104,  
D10/106; 340/521, 540-545, 555, 558, 571,  
340/572, 573, 628-630

See application file for complete search history.

(56) **References Cited**

**U.S. PATENT DOCUMENTS**

D355,386 S \* 2/1995 Fellmann ..... D10/106  
D368,042 S \* 3/1996 Pun ..... D10/106  
D377,460 S \* 1/1997 Nelson et al. .... D10/106  
D388,351 S \* 12/1997 Repp et al. .... D10/106  
D391,184 S \* 2/1998 Kawabata ..... D10/106

D391,185 S \* 2/1998 Tomizawa ..... D10/106  
D426,482 S \* 6/2000 Sakurai et al. .... D10/106  
6,154,142 A \* 11/2000 Kosugi et al. .... 340/589  
D475,312 S \* 6/2003 Runciman ..... D10/106  
D485,200 S \* 1/2004 Berthold et al. .... D10/106  
D505,632 S \* 5/2005 Johnson et al. .... D10/106

**FOREIGN PATENT DOCUMENTS**

JP 915590 12/1997

\* cited by examiner

*Primary Examiner*—Caron Veynar

*Assistant Examiner*—George D Kirschbaum

(74) *Attorney, Agent, or Firm*—Warner Norcross & Judd LLP

(57) **CLAIM**

The ornamental design for a fire detector, as shown and described.

**DESCRIPTION**

FIG. 1 is a perspective view of the fire detector embodying the new design;

FIG. 2 is a top view thereof;

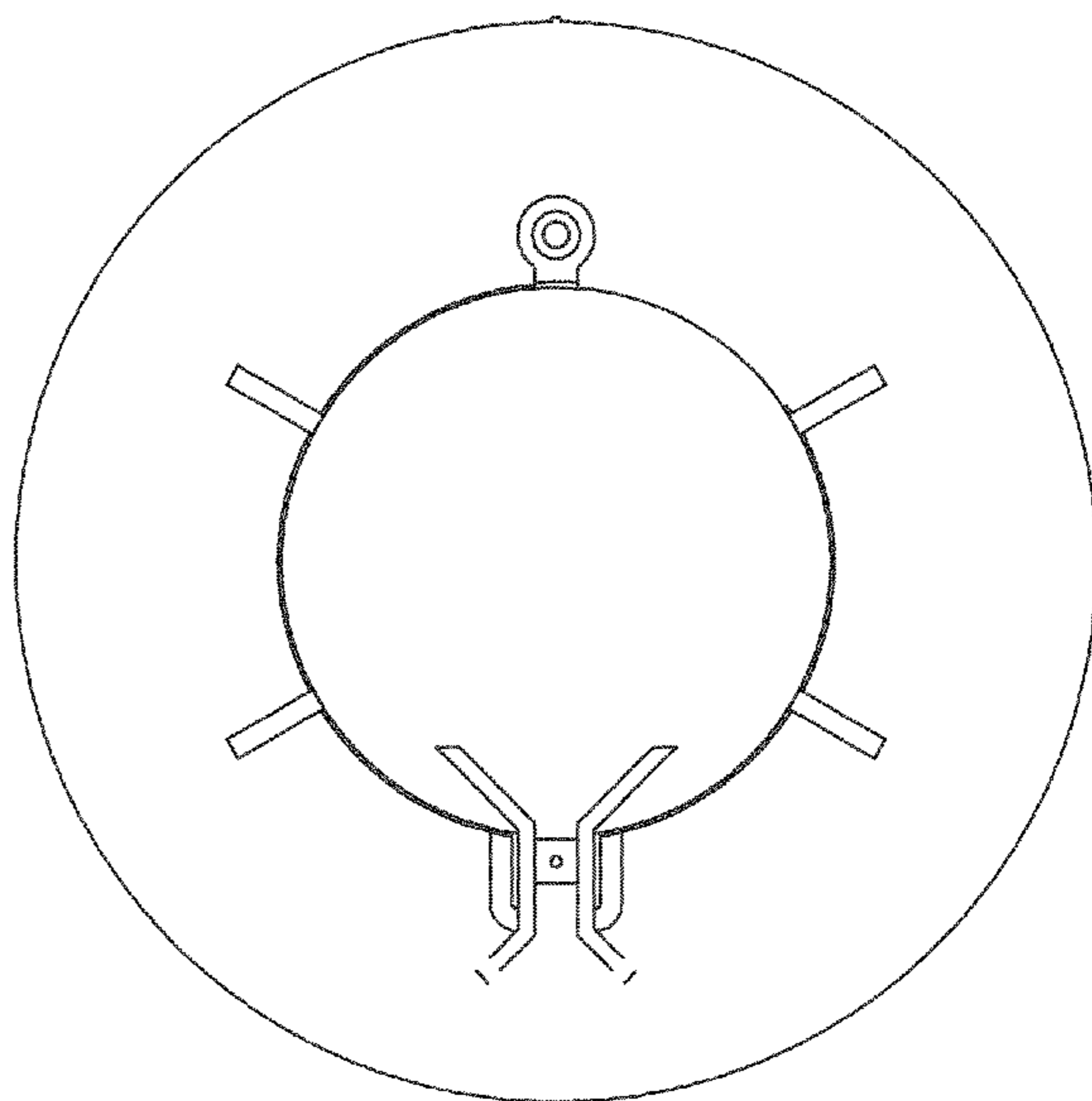
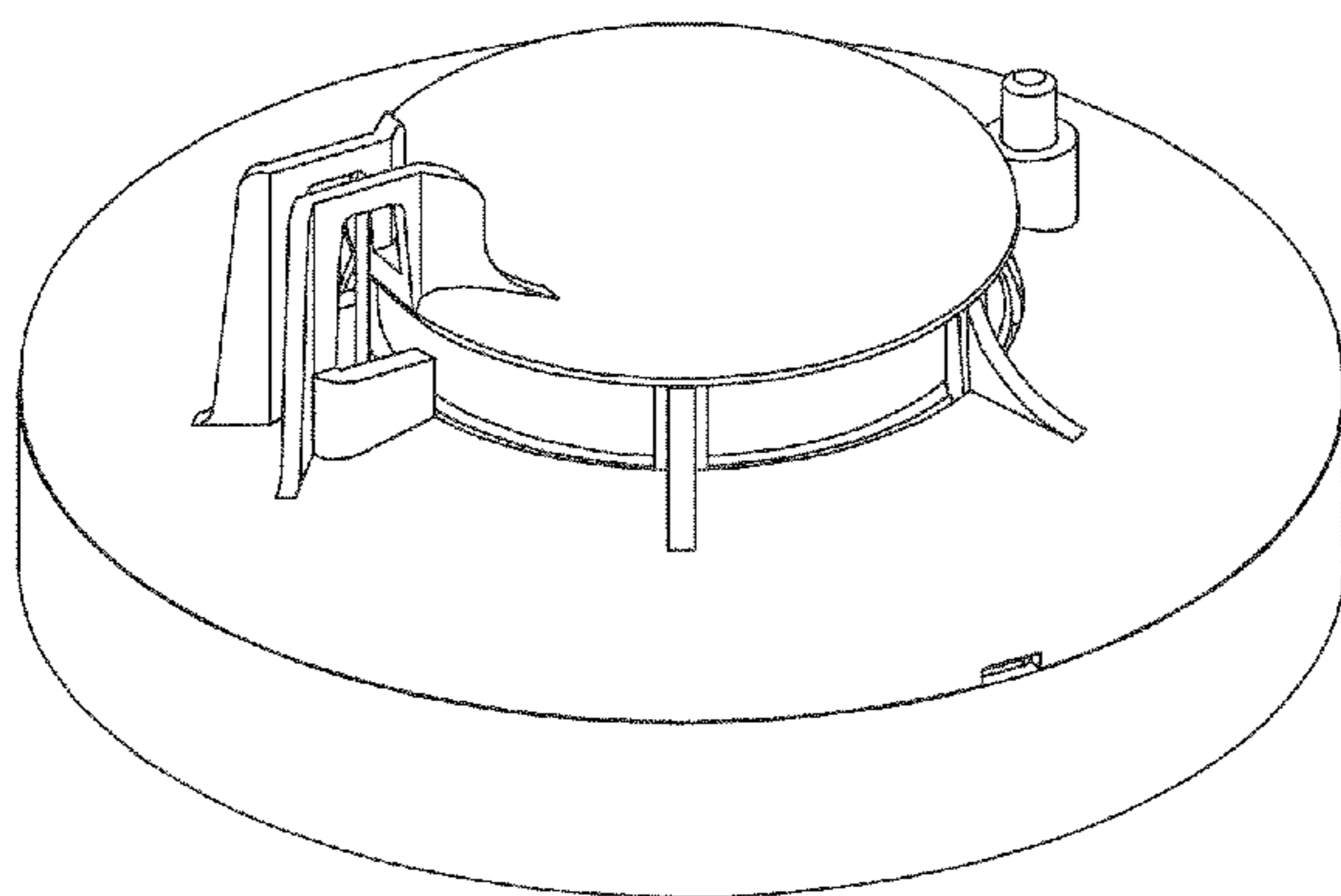
FIG. 3 is a front view thereof;

FIG. 4 is a rear view thereof;

FIG. 5 is a right side view thereof; and,

FIG. 6 is a left side view thereof.

**1 Claim, 6 Drawing Sheets**



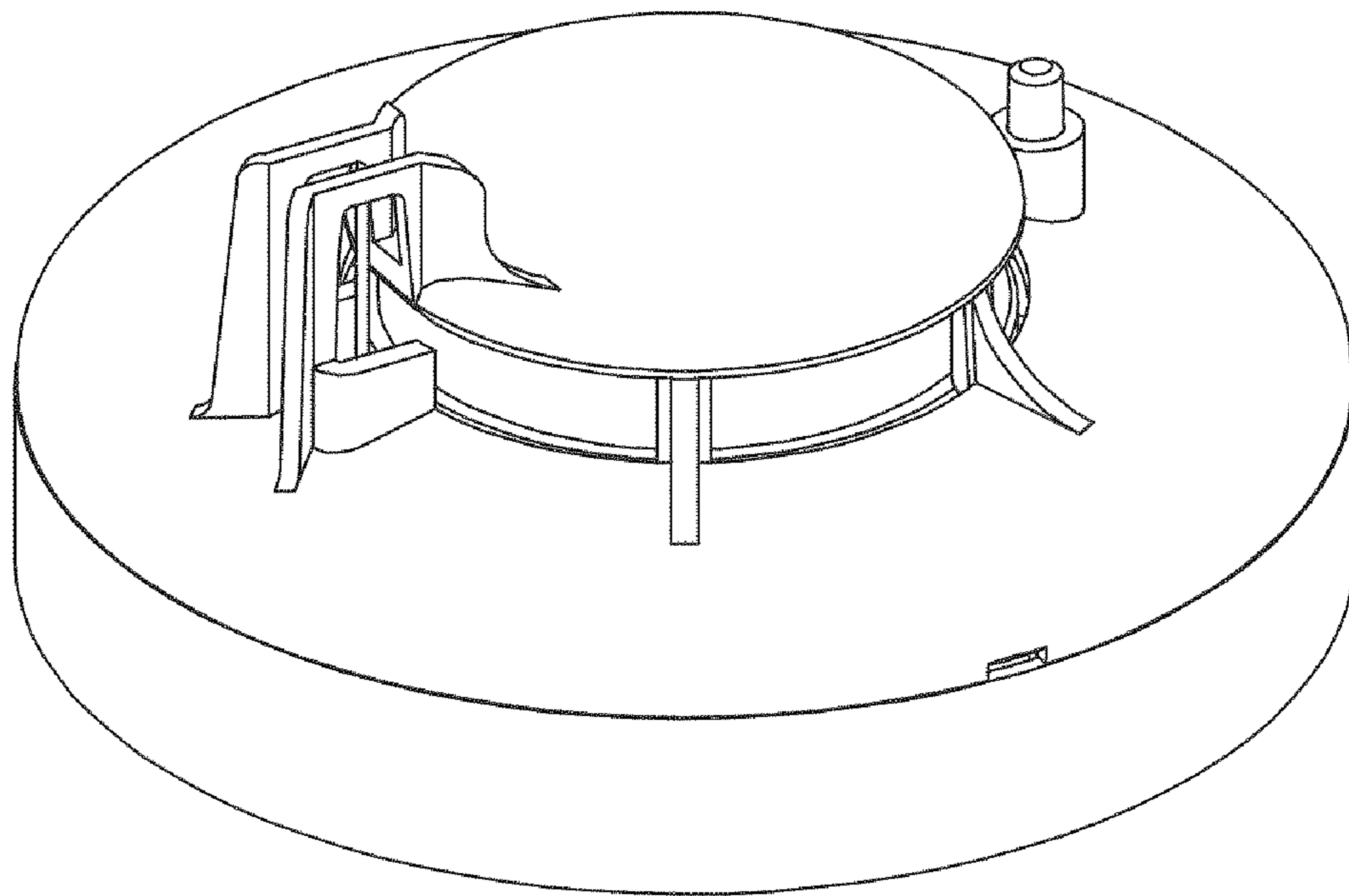


Fig. 1

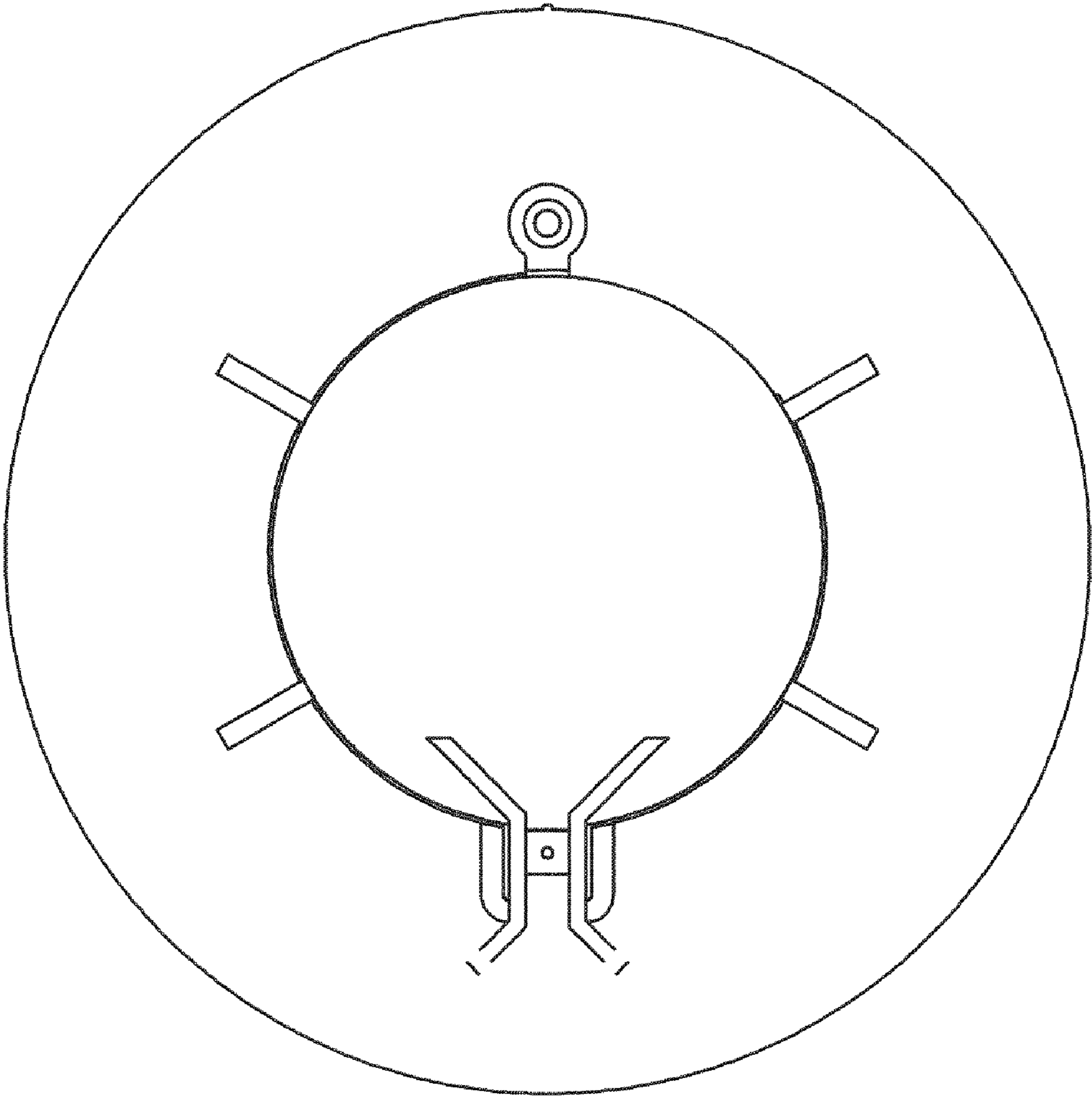


Fig. 2

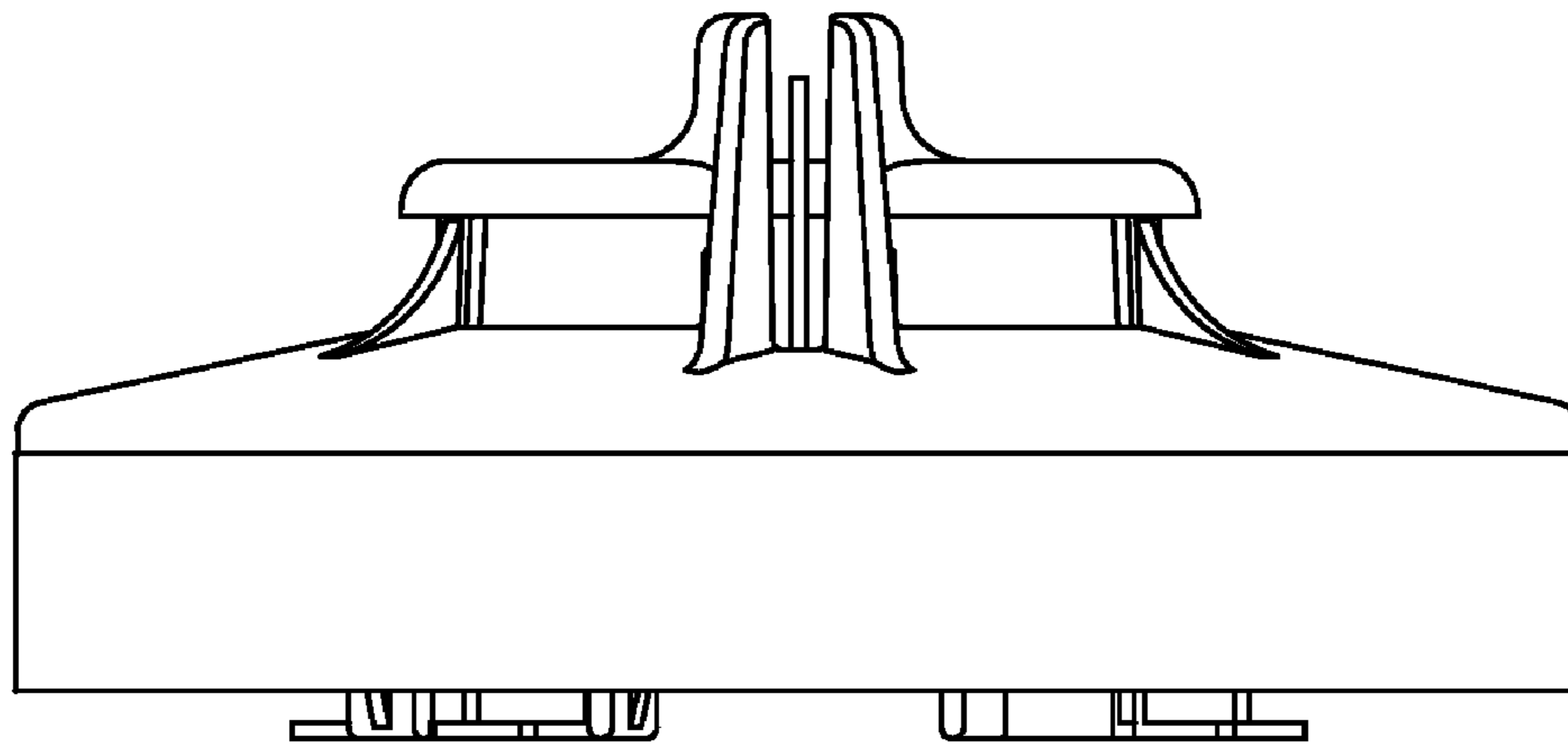


Fig. 3

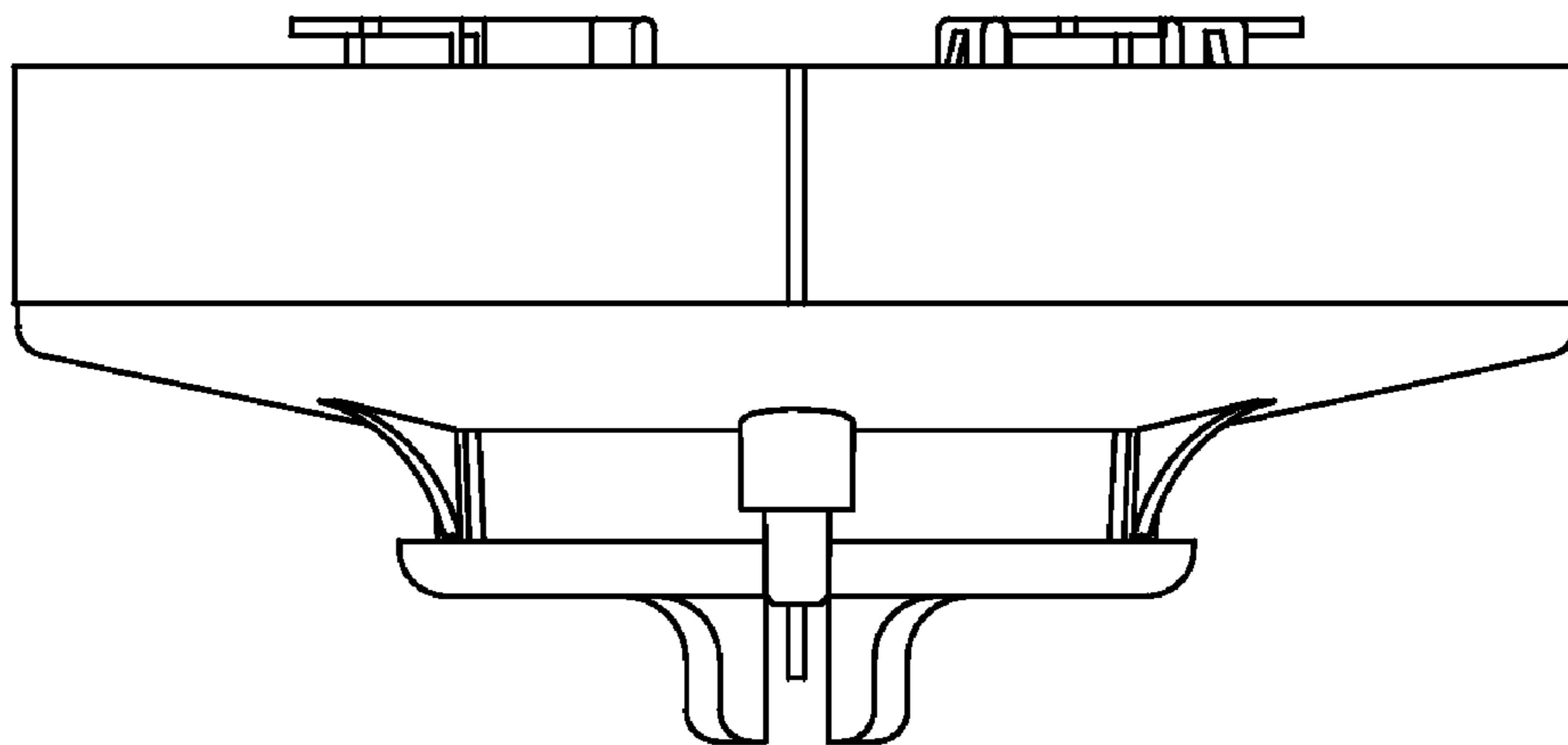


Fig. 4

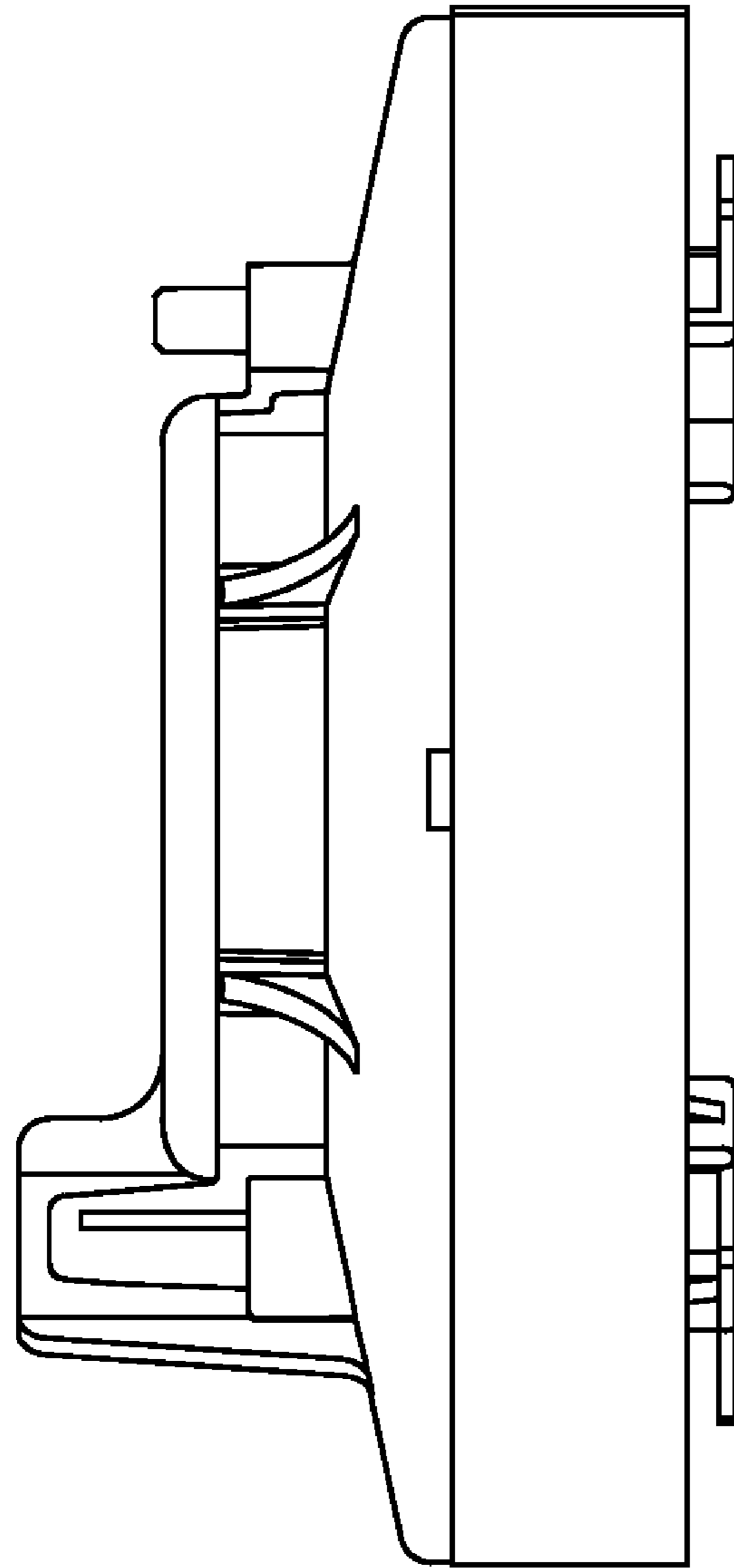


Fig. 5

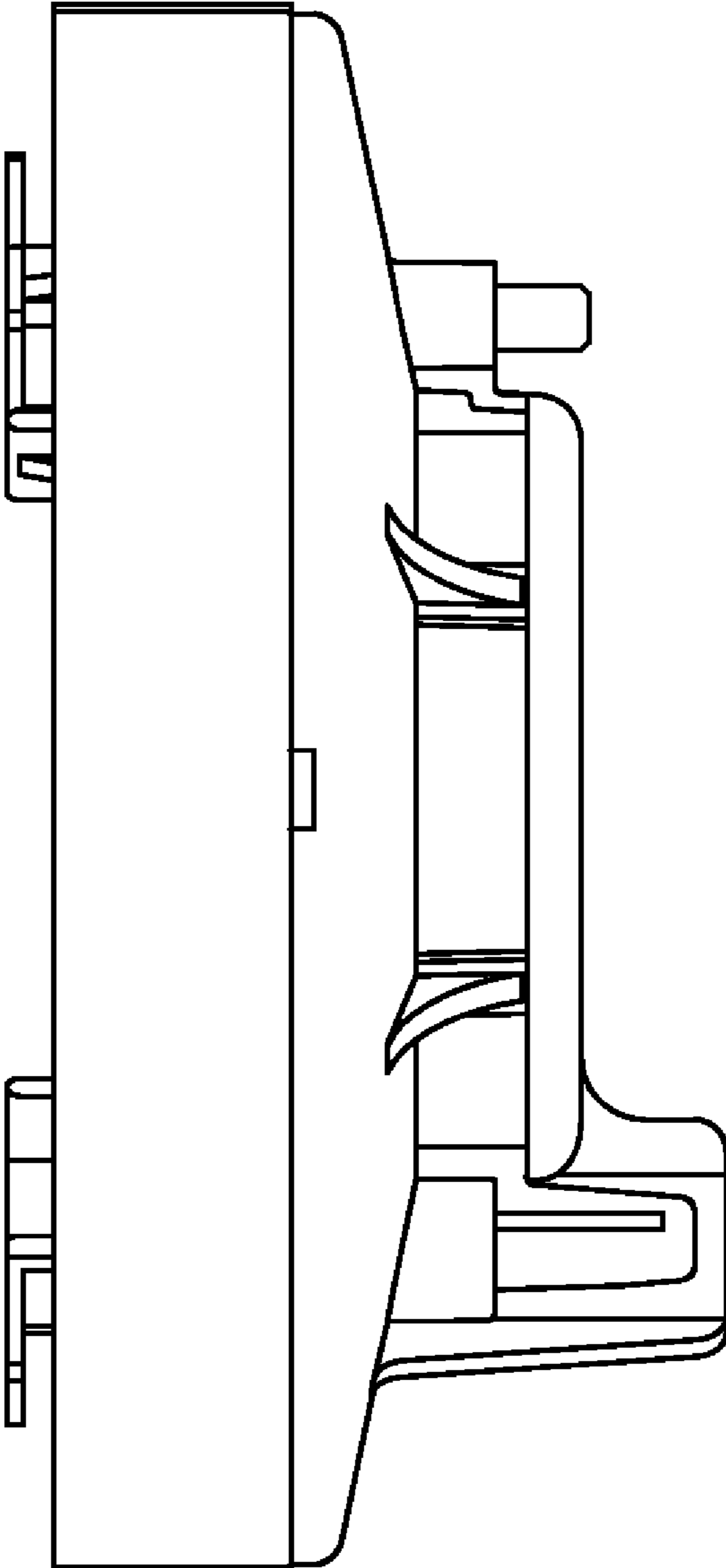


Fig. 6