



US00D588484S

(12) **United States Design Patent**  
**Bandringa et al.**

(10) **Patent No.:** **US D588,484 S**  
(45) **Date of Patent:** **\*\* Mar. 17, 2009**

(54) **LOW VOLTAGE OCCUPANCY SENSOR**

(75) Inventors: **John Bandringa**, Everett, WA (US);  
**Nehal Shah**, Westbury, NY (US); **Danilo**  
**F. Estanislao**, Old Bridge, NJ (US);  
**Edward Uftring**, Syosset, NY (US)

(73) Assignee: **Leviton Manufacturing Co., Inc.**, Little  
Neck, NY (US)

(\*\*) Term: **14 Years**

(21) Appl. No.: **29/303,518**

(22) Filed: **Feb. 11, 2008**

5,393,256 A *	2/1995	Mitchell et al.	446/15
5,620,351 A *	4/1997	Ho	446/15
D401,175 S *	11/1998	Bender et al.	D10/104
D404,325 S *	1/1999	Bender et al.	D10/106
D404,326 S *	1/1999	Bender et al.	D10/106
D439,853 S *	4/2001	Aiello et al.	D10/104
6,222,191 B1 *	4/2001	Myron et al.	250/353
D511,705 S *	11/2005	Bandringa et al.	D10/104
2006/0138329 A1 *	6/2006	Wu et al.	250/342
2006/0194504 A1 *	8/2006	Ragonetti et al.	446/46
2006/0266949 A1 *	11/2006	Bender et al.	250/370.1
2006/0267566 A1 *	11/2006	Williams et al.	323/282
2007/0229297 A1 *	10/2007	Leonard et al.	340/693.5
2007/0230142 A1 *	10/2007	Engel et al.	361/748

\* cited by examiner

**Related U.S. Application Data**

(63) Continuation-in-part of application No. 29/242,778,  
filed on Nov. 15, 2005, now Pat. No. Des. 561,630.

(51) **LOC (9) Cl.** ..... **10-05**

(52) **U.S. Cl.** ..... **D10/104**

(58) **Field of Classification Search** ..... D10/104-121;  
340/555, 556, 557, 540, 600, 628, 565, 630,  
340/629, 521; 428/192; 134/21; 392/423;  
362/276; 446/15, 46; 250/370.1, 353, 342;  
323/282; 361/748

See application file for complete search history.

(56) **References Cited**

**U.S. PATENT DOCUMENTS**

5,017,783 A \* 5/1991 Mousavi ..... 250/353

*Primary Examiner*—Robert M. Spear

*Assistant Examiner*—George D Kirschbaum

(74) *Attorney, Agent, or Firm*—Marger Johnson &  
McCollom, PC

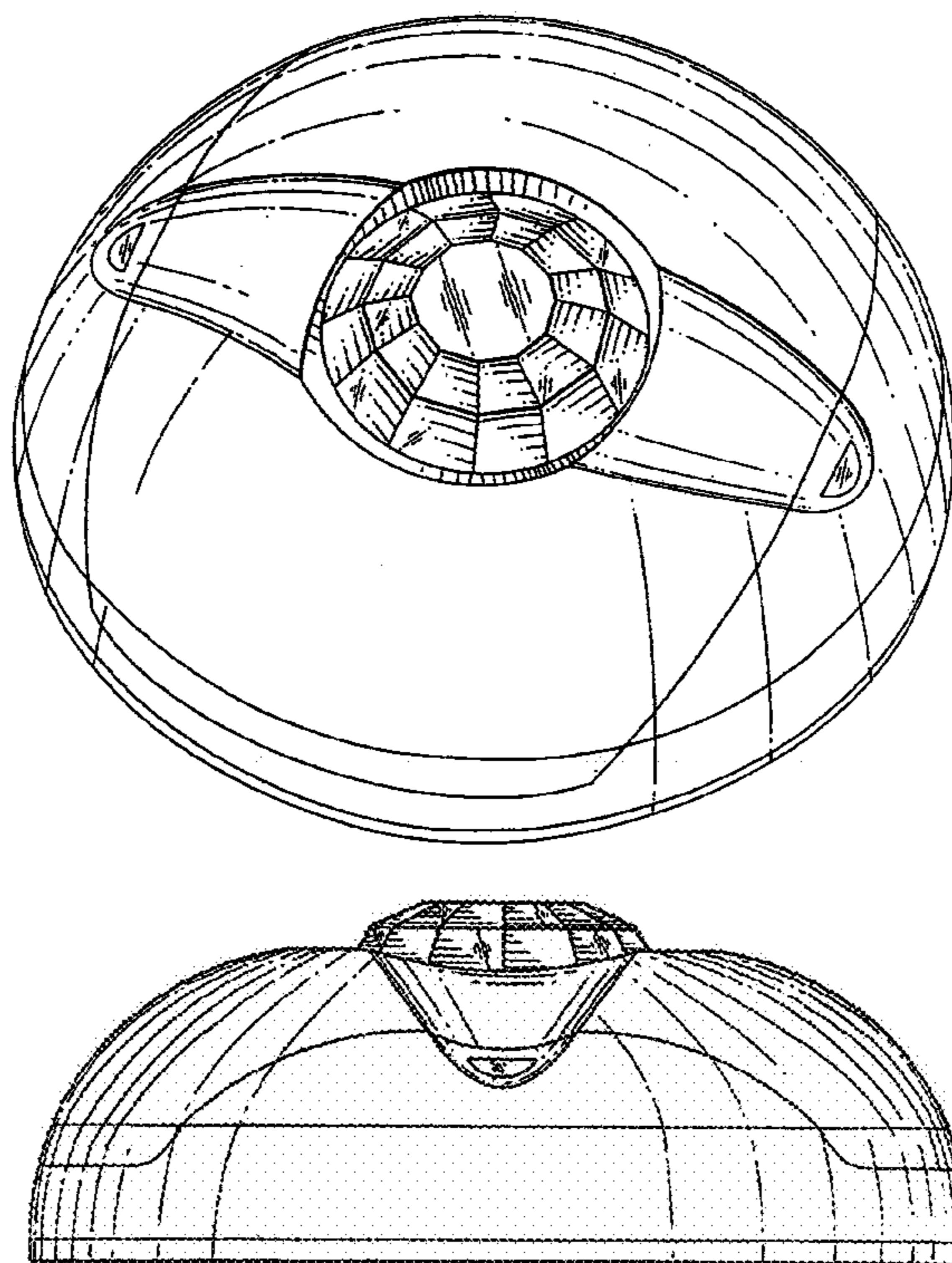
(57) **CLAIM**

The ornamental design for a low voltage occupancy sensor, as  
shown and described.

**DESCRIPTION**

FIG. 1 is a top perspective view of a low voltage occupancy  
sensor showing our new design; and,  
FIG. 2 is a side elevation view thereof.

**1 Claim, 2 Drawing Sheets**



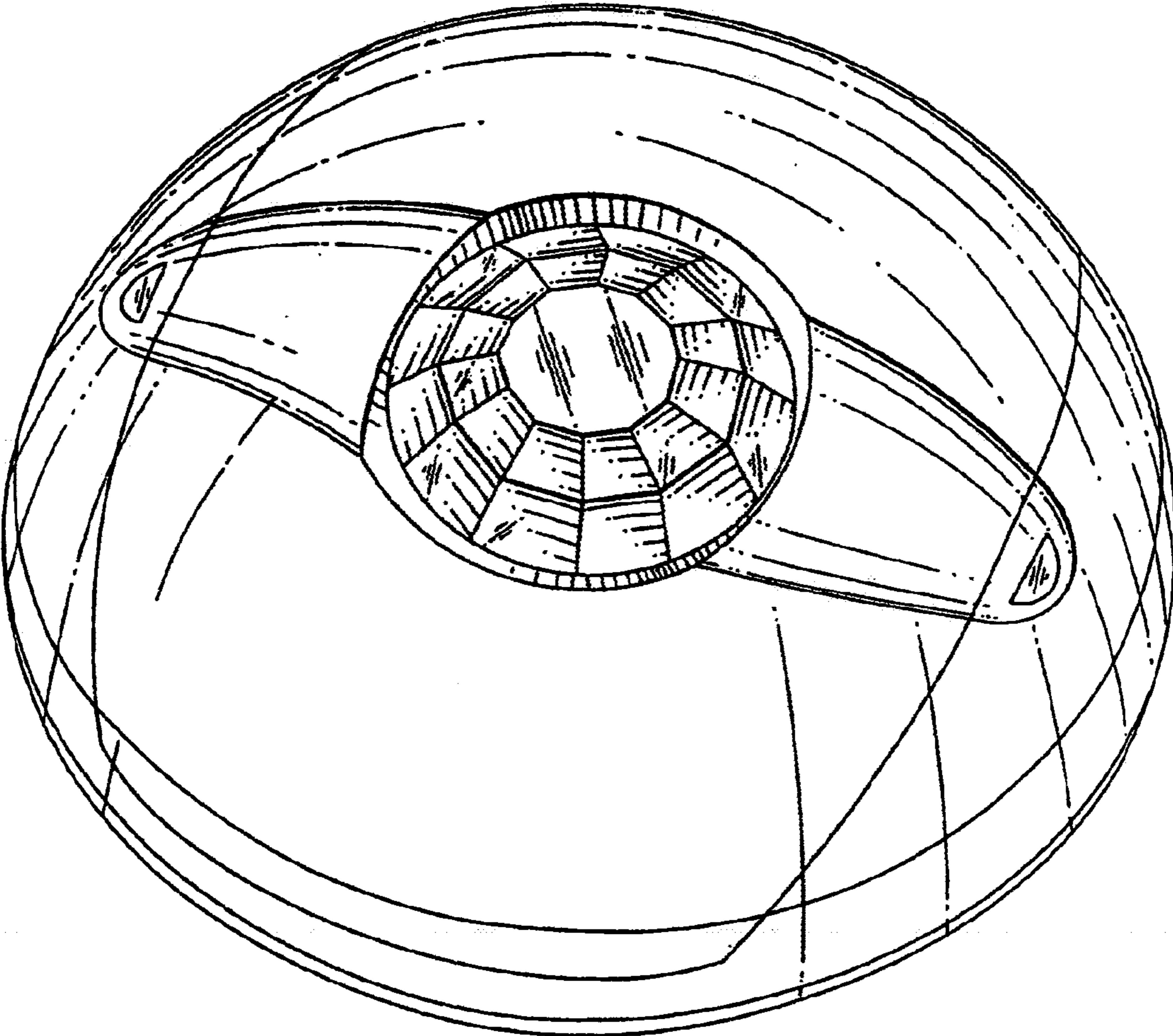


FIG. 1

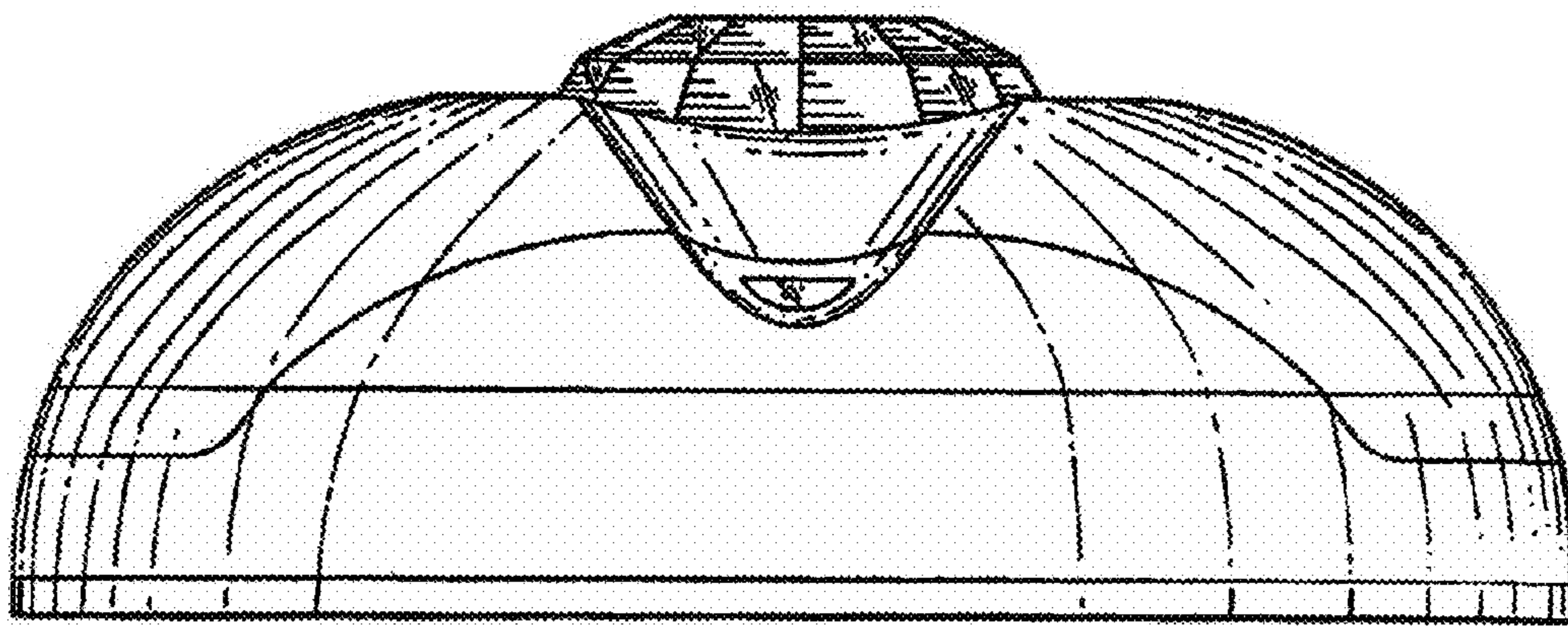


FIG. 2