



US00D588483S

(12) **United States Design Patent**
Chu

(10) **Patent No.:** **US D588,483 S**
(45) **Date of Patent:** **** Mar. 17, 2009**

(54) **PRESSURE SENSING DEVICE FOR AIR COMPRESSOR**

Primary Examiner—Antoine D Davis
(74) *Attorney, Agent, or Firm*—Charles E. Baxley

(76) **Inventor:** **Henry C. Chu**, 133N. Lemon St.,
Orange, CA (US) 92866

(57) **CLAIM**

(**) **Term:** **14 Years**

The ornamental design for a pressure sensing device for air compressor, as shown and described.

(21) **Appl. No.:** **29/308,246**

(22) **Filed:** **Jun. 5, 2008**

DESCRIPTION

(51) **LOC (9) Cl.** **10-04**

(52) **U.S. Cl.** **D10/85; D10/96**

(58) **Field of Classification Search** D10/85,
D10/96; 73/715-722, 431, 705; 200/83,
200/83 B, 83 C, 83 L; 324/110-116, 119;
340/688, 626; 250/231.11; 417/13, 18, 32
See application file for complete search history.

FIG. 1 is a perspective view of a pressure sensing device for air compressor showing my new design;

FIG. 2 is a front elevational view thereof;

FIG. 3 is a rear elevational view thereof;

FIG. 4 is a top plan view thereof;

FIG. 5 is a bottom plan view thereof;

FIG. 6 is a left side elevational view thereof;

FIG. 7 is a right side elevational view thereof; and,

FIG. 8 is a perspective view thereof, the folds and the electric wires depicted by means of broken lines being for illustrative purposes only and forming no part of the claimed design.

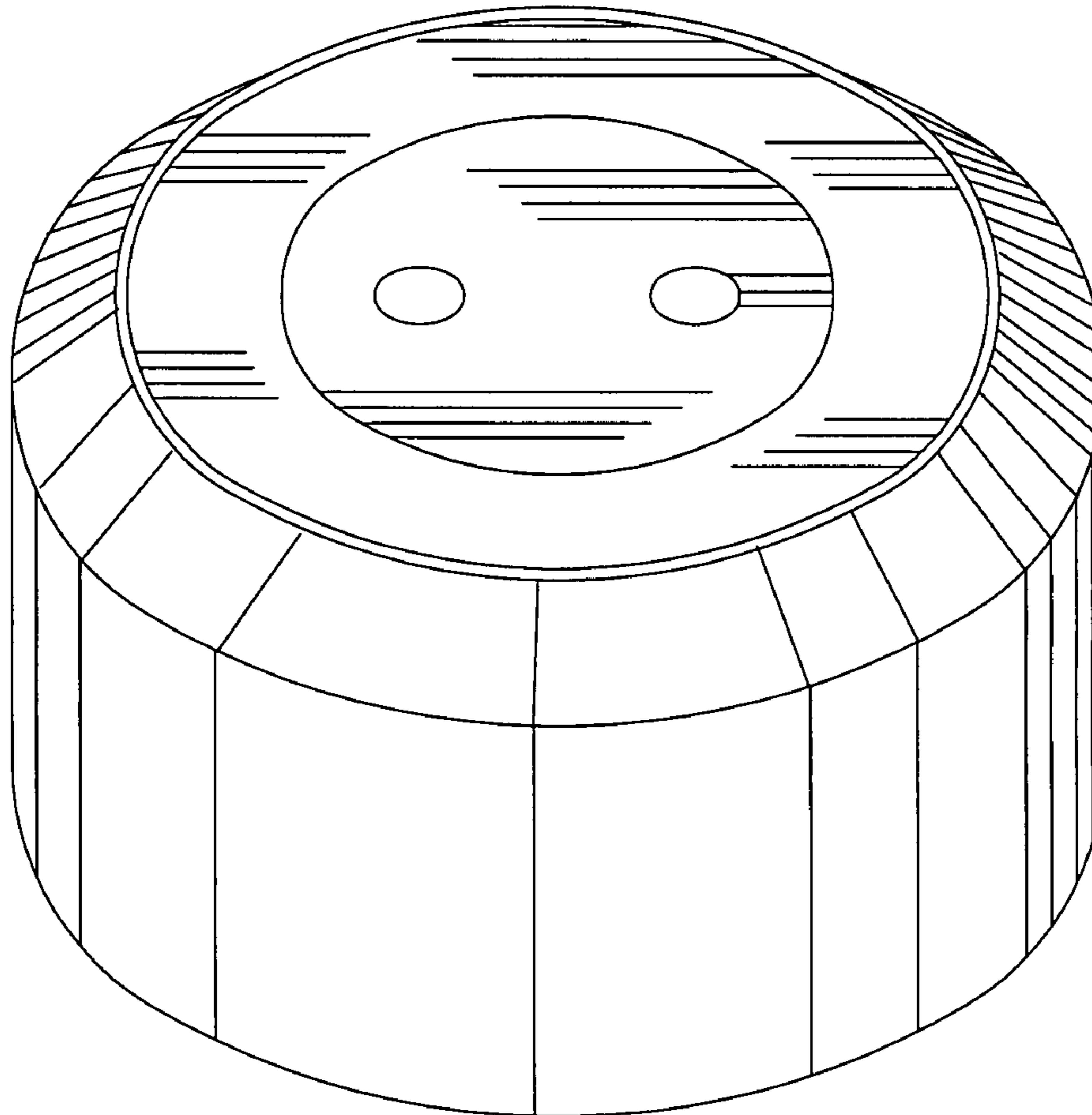
(56) **References Cited**

U.S. PATENT DOCUMENTS

D348,017 S *	6/1994	Poleshuk et al.	D10/99
D430,049 S *	8/2000	Flick et al.	D10/96
D439,534 S *	3/2001	Scarrott et al.	D10/96
6,394,758 B1 *	5/2002	Lee et al.	417/13

* cited by examiner

1 Claim, 5 Drawing Sheets



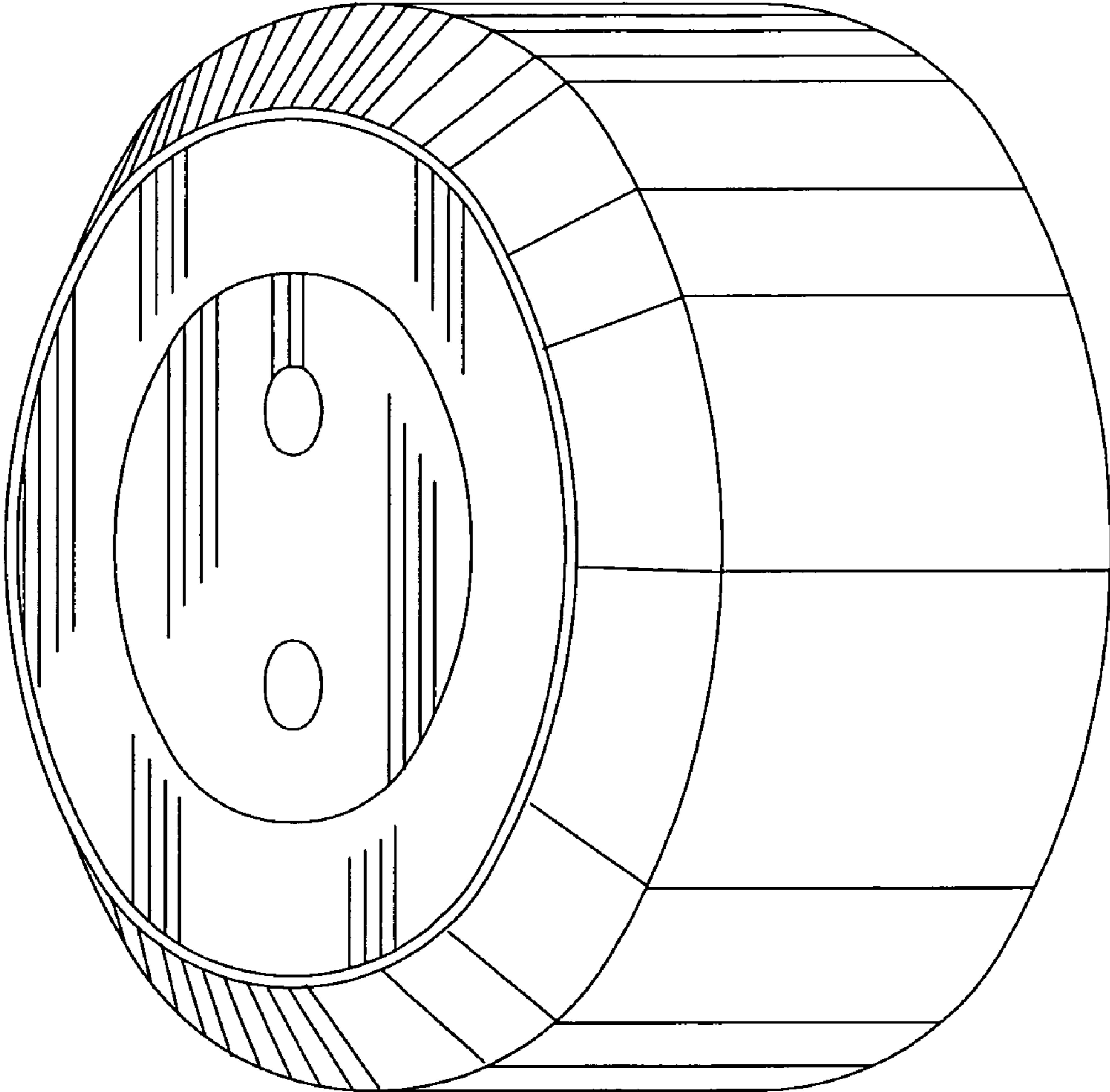


FIG. 1

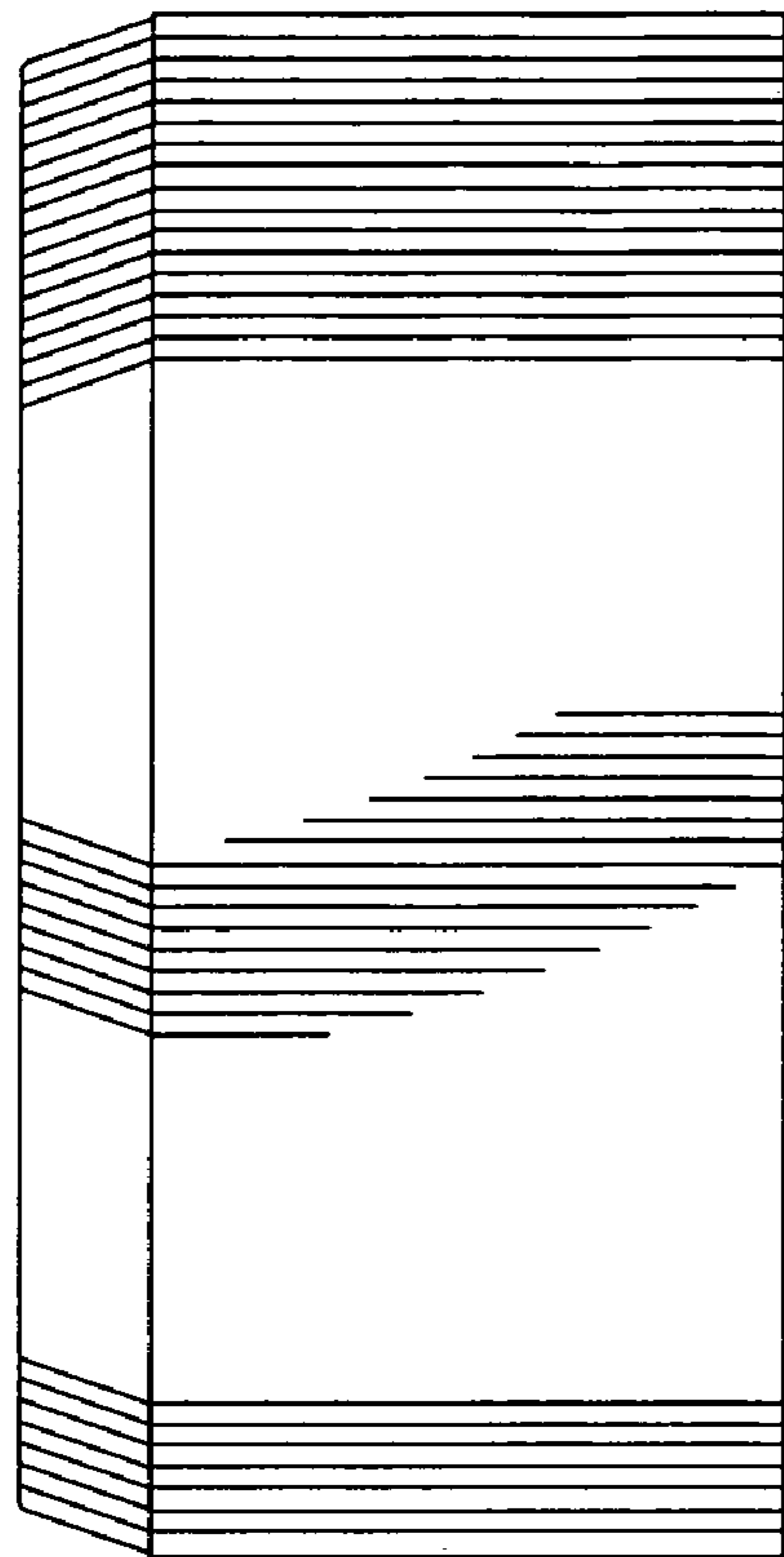


FIG. 3

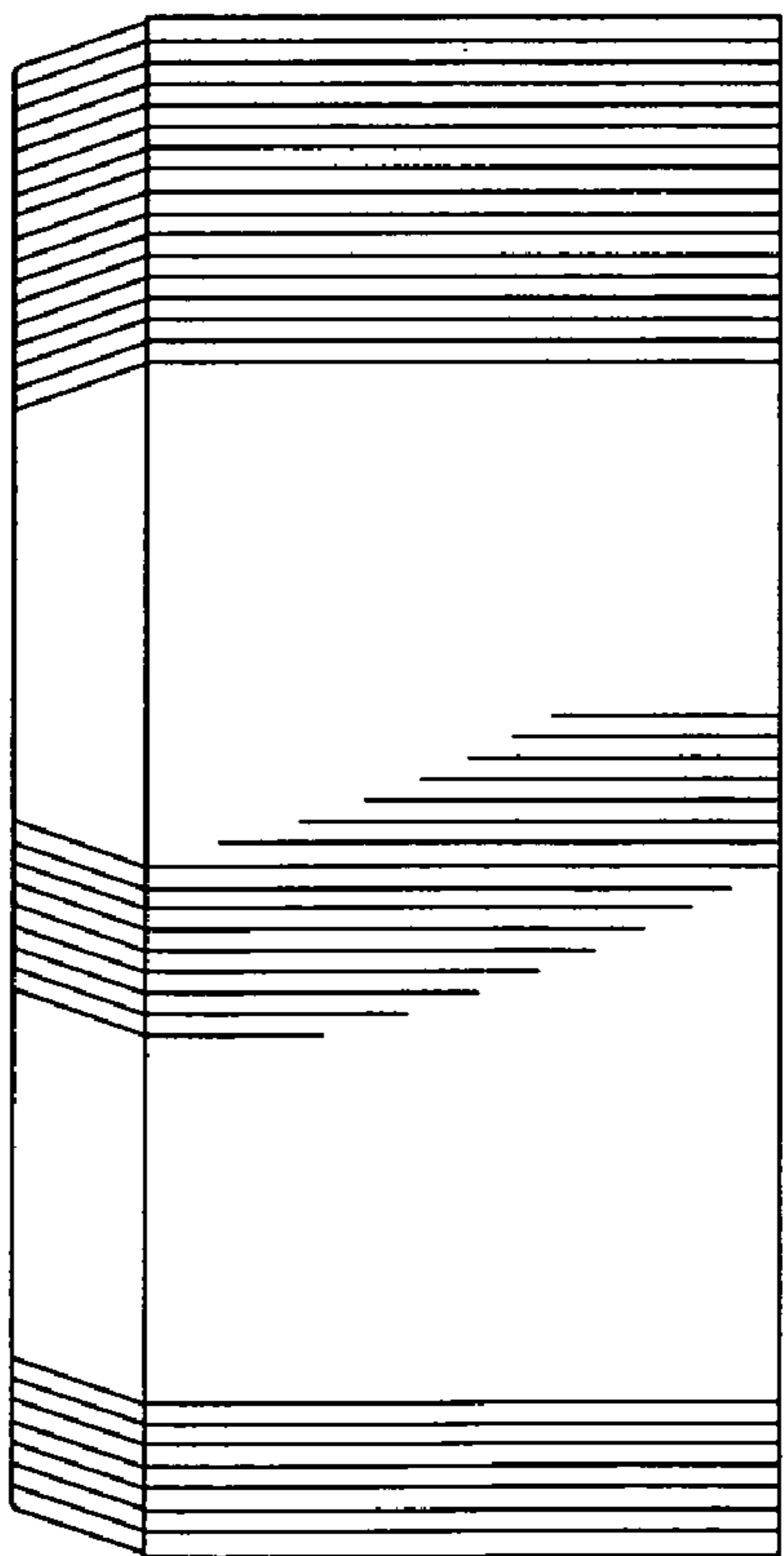


FIG. 2

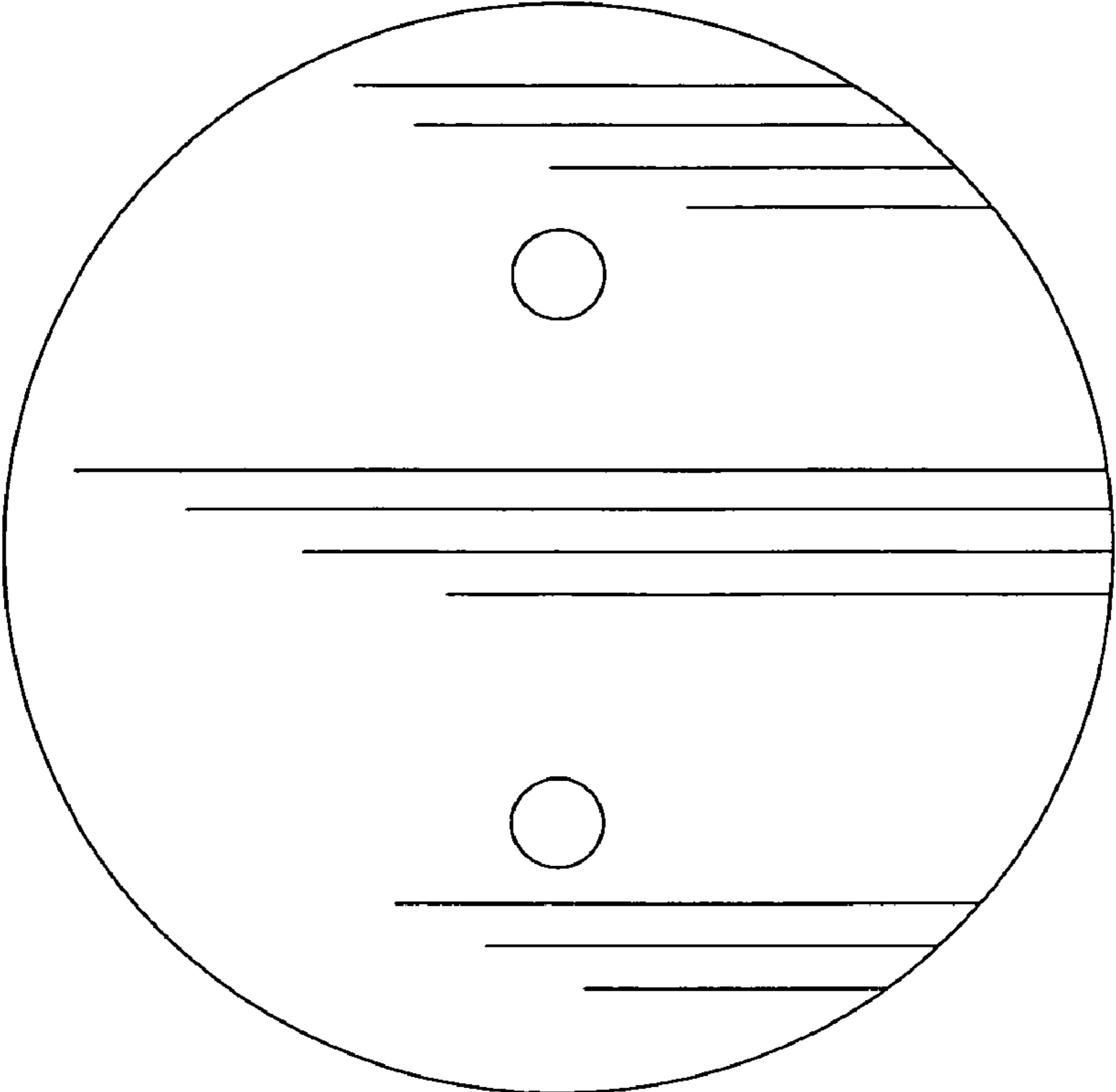


FIG. 5

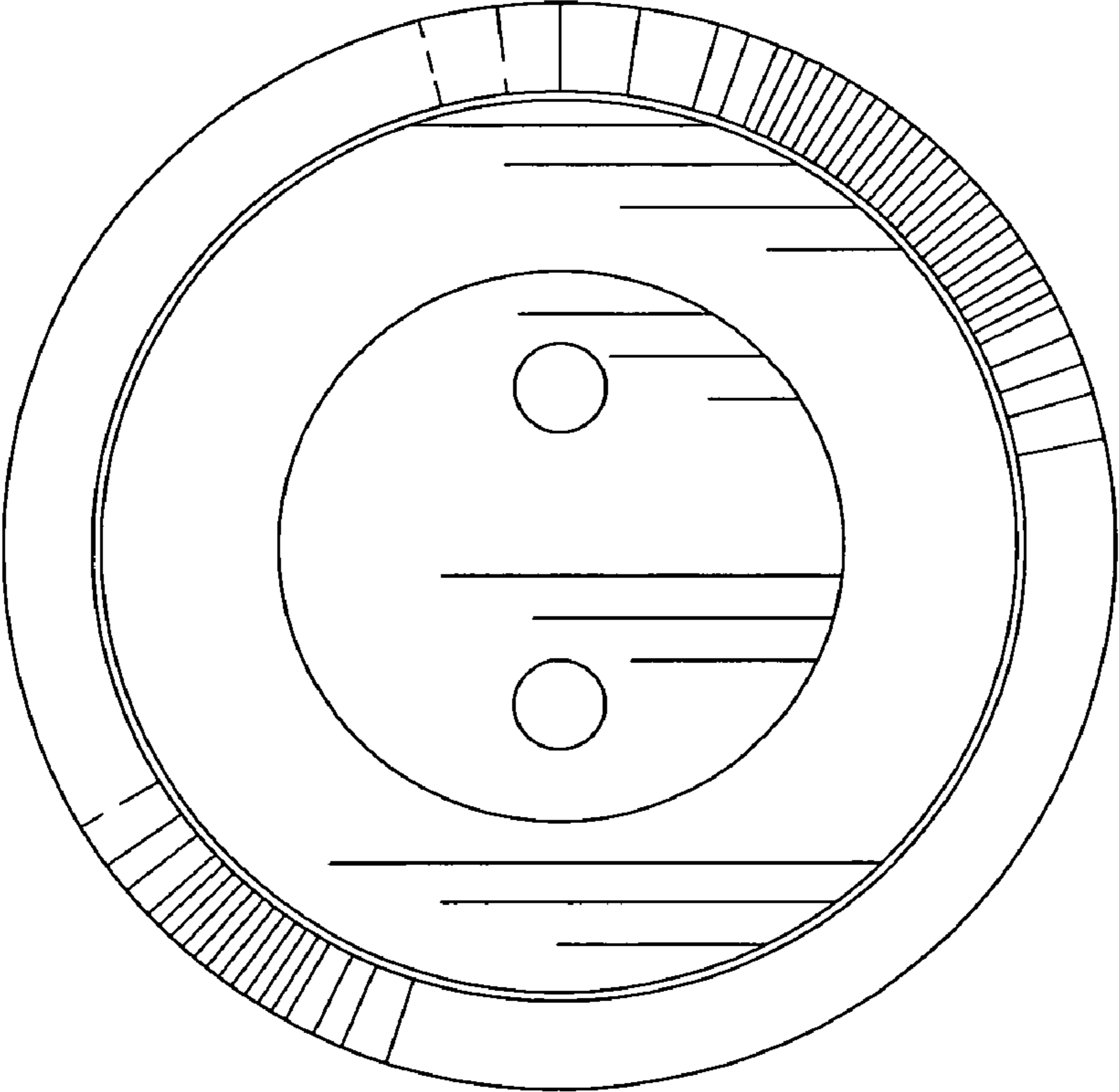


FIG. 4

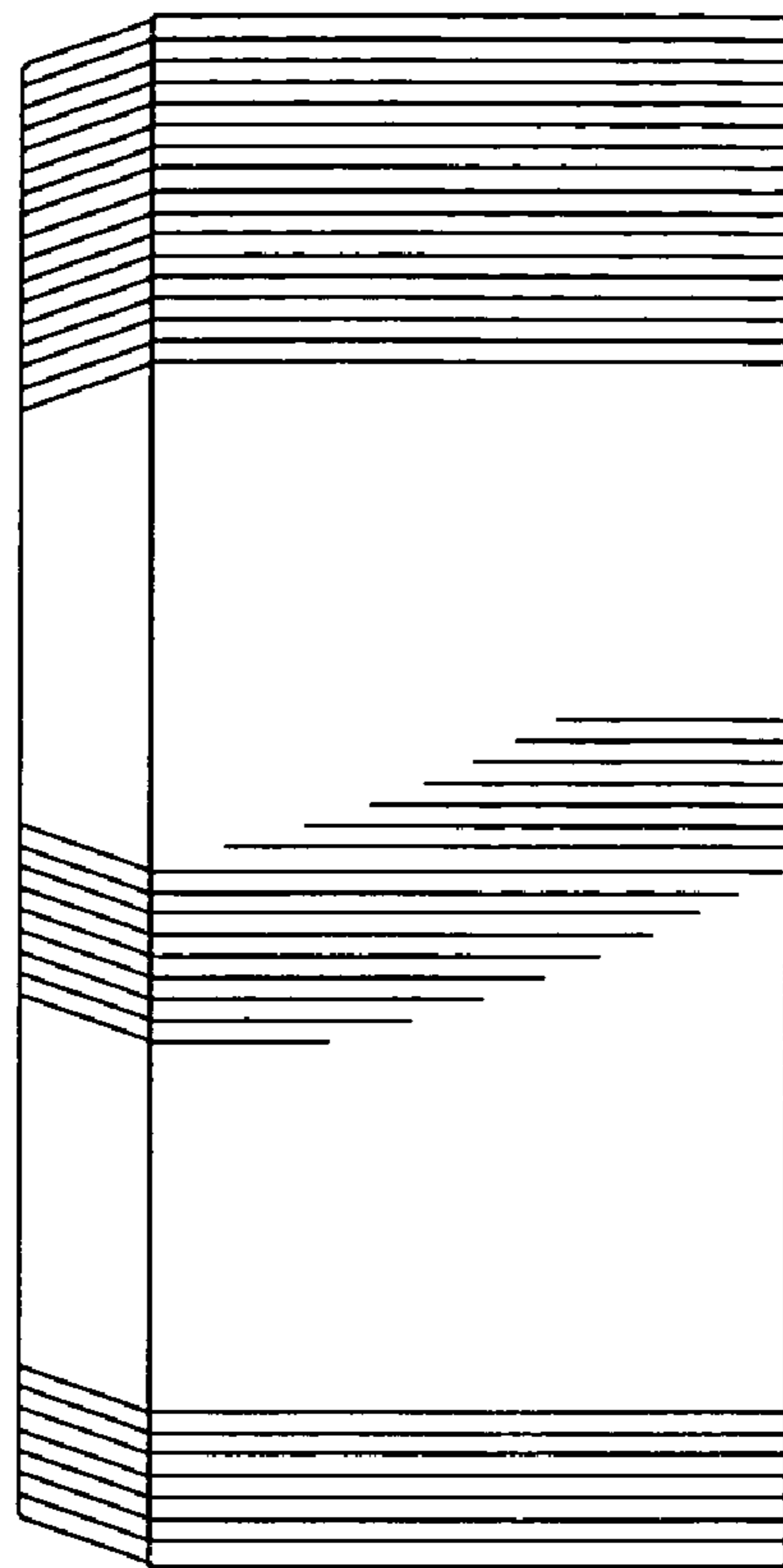


FIG. 6

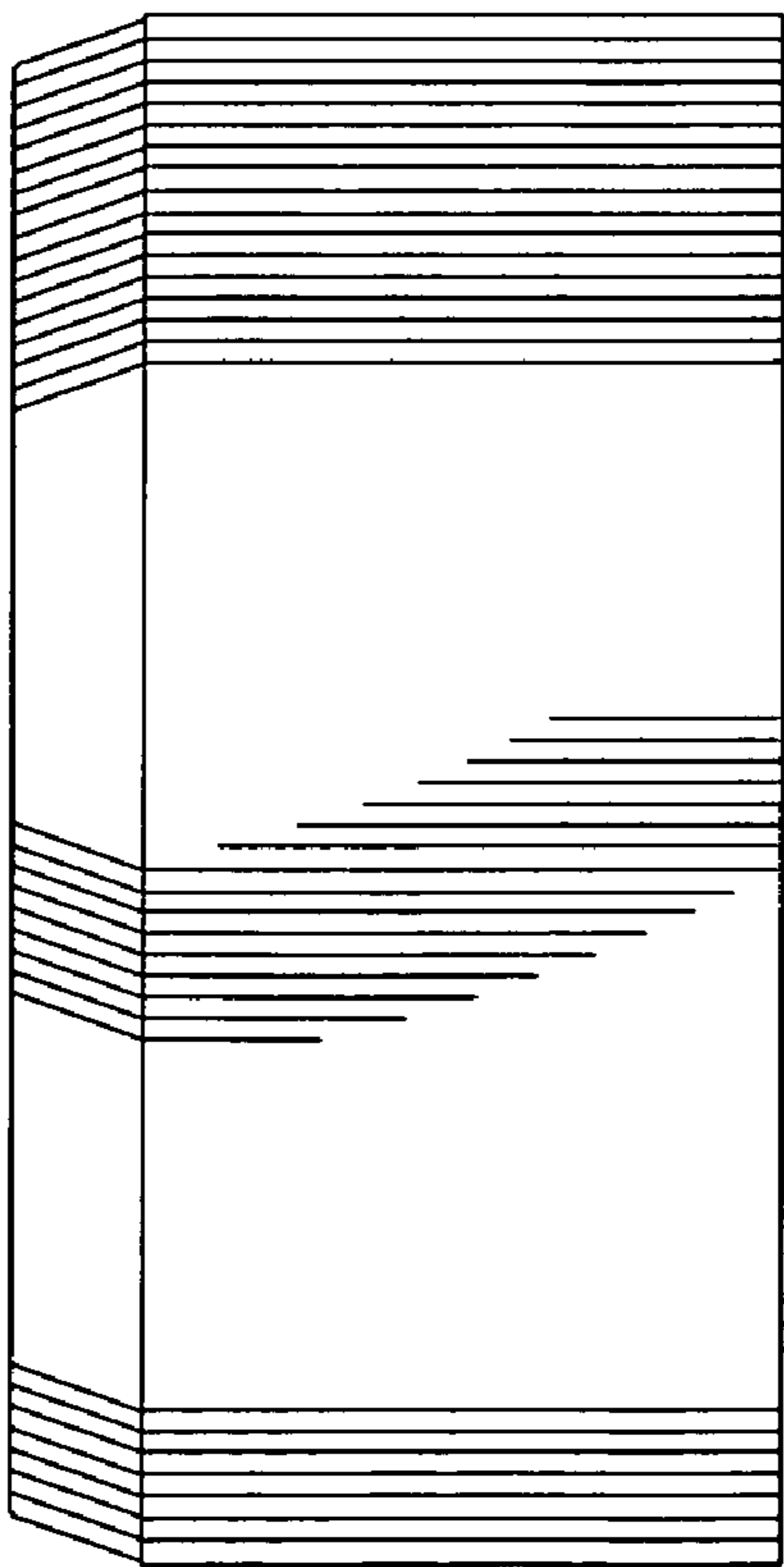


FIG. 7

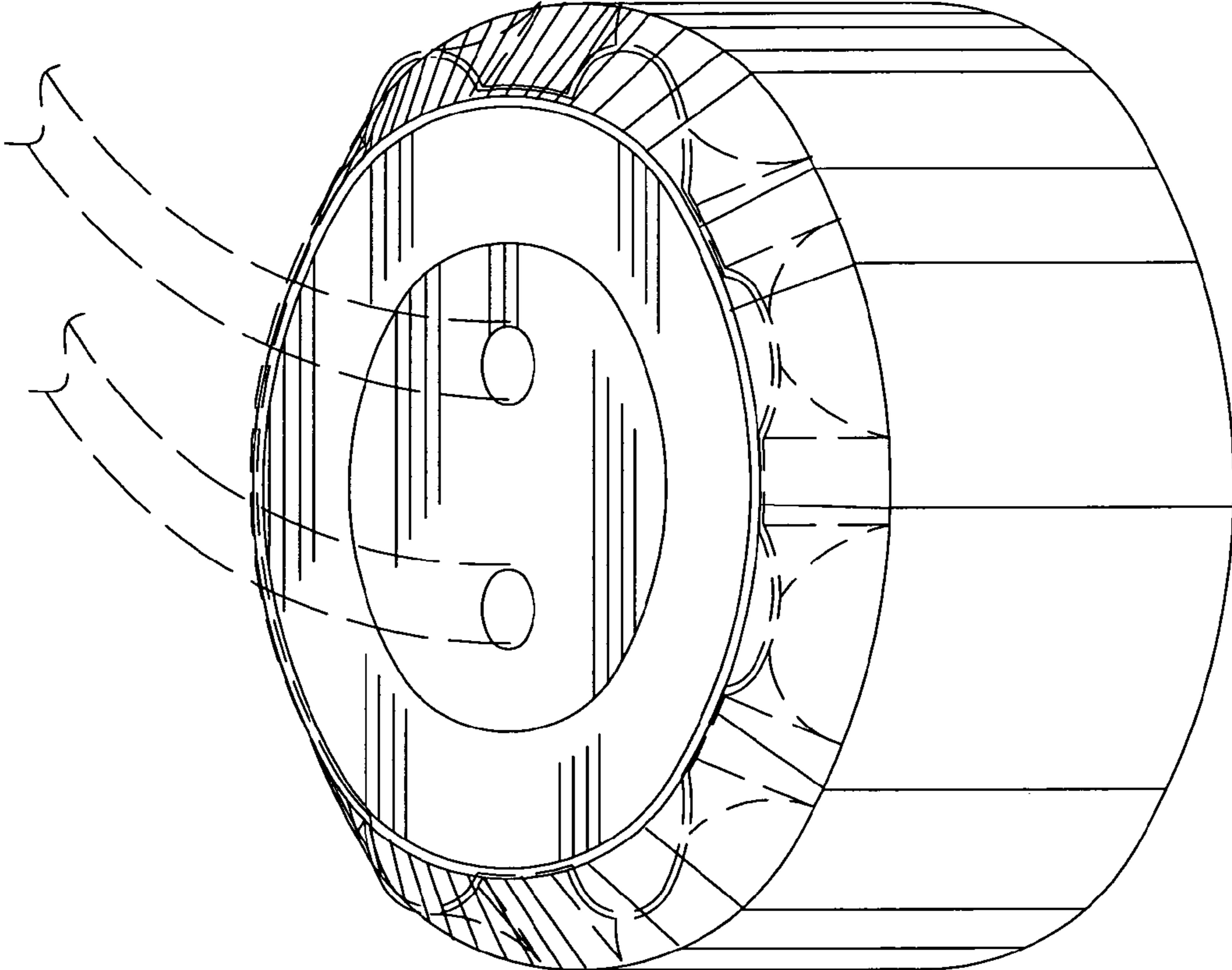


FIG. 8