



US00D588482S

(12) **United States Design Patent**
Kim

(10) **Patent No.:** **US D588,482 S**

(45) **Date of Patent:** **** Mar. 17, 2009**

(54) **HAND-HELD INSTRUMENT**

(75) Inventor: **Dong-sup Kim**, Bucheon-si (KR)

(73) Assignee: **AD Power Co., Ltd.**, Gyeonggi (KR)

(**) Term: **14 Years**

(21) Appl. No.: **29/294,021**

(22) Filed: **Dec. 21, 2007**

(30) **Foreign Application Priority Data**

Jun. 21, 2007 (KR) 30-2007-0026700

(51) **LOC (9) Cl.** **10-04**

(52) **U.S. Cl.** **D10/78**

(58) **Field of Classification Search** D10/78-79;
324/72.5, 556, 133, 149, 503, 543, 555, 66,
324/72, 754; 340/635; 362/119

See application file for complete search history.

(56) **References Cited**

U.S. PATENT DOCUMENTS

D400,114 S *	10/1998	Beha	D10/78
D414,125 S *	9/1999	Chen	D10/78
D446,135 S *	8/2001	Chen	D10/78
D473,809 S *	4/2003	Disch	D10/78
D499,034 S *	11/2004	Bras et al.	D10/78
D502,416 S *	3/2005	Chen	D10/78

* cited by examiner

Primary Examiner—Antoine D Davis

(74) *Attorney, Agent, or Firm*—Finnegan, Henderson, Farabow, Garrett & Dunner, L.L.P.

(57) **CLAIM**

The ornamental design for the hand-held instrument, as shown and described.

DESCRIPTION

FIG. 1 is a perspective view of a hand-held instrument of my design with a movable support depicted in the extended position, the indicia on the panel and buttons being no part of the claimed design;

FIG. 2 is a front view thereof, the indicia on the panel and buttons being no part of the claimed design;

FIG. 3 is a rear view thereof, with a movable support depicted in the retracted position;

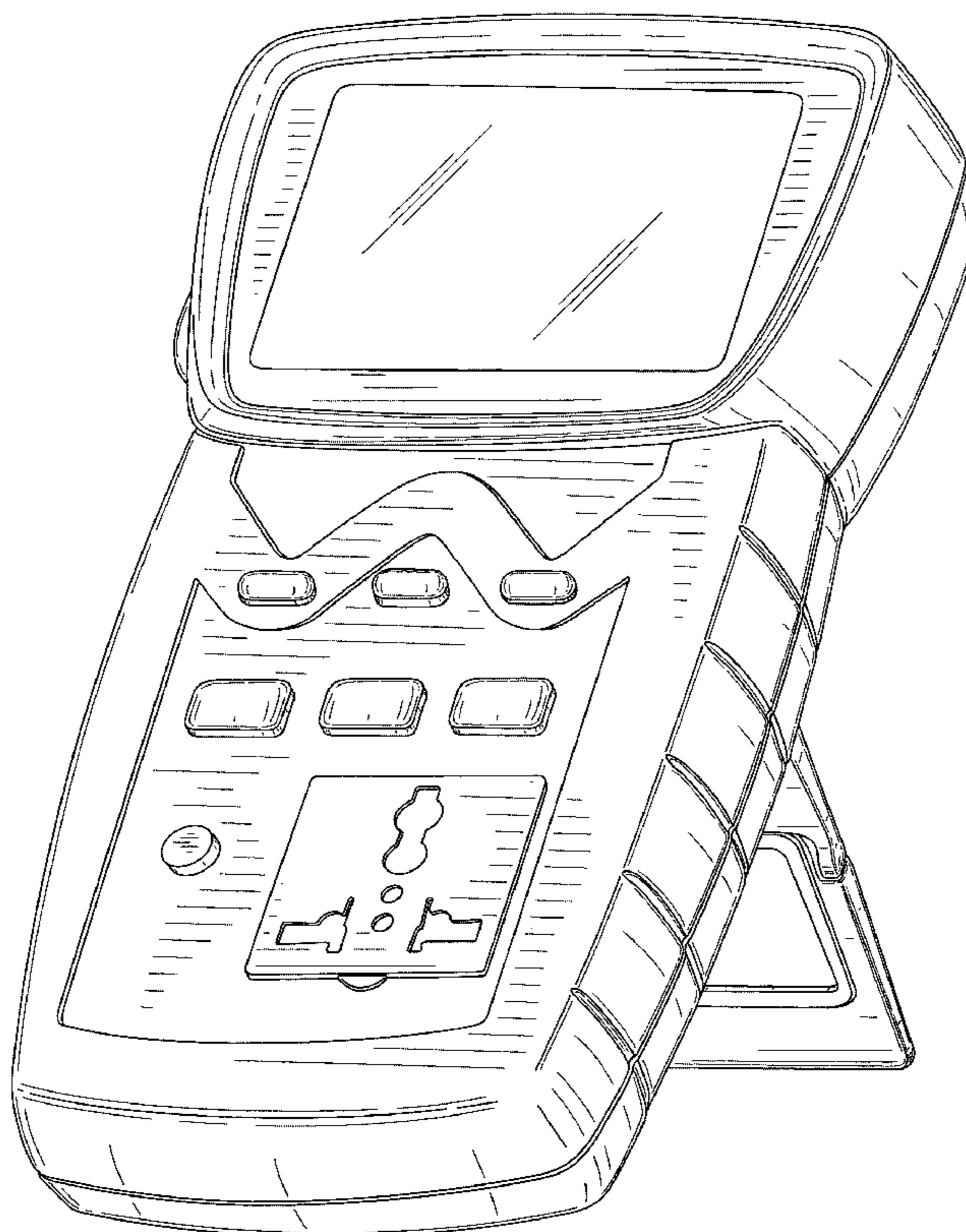
FIG. 4 is a right side view thereof, with a movable support depicted in the extended position;

FIG. 5 is a left side view thereof, with a movable support depicted in the extended position;

FIG. 6 is a bottom plan view thereof, with a movable support depicted in the extended position; and,

FIG. 7 is a top plan view thereof, with a movable support depicted in the extended position.

1 Claim, 7 Drawing Sheets



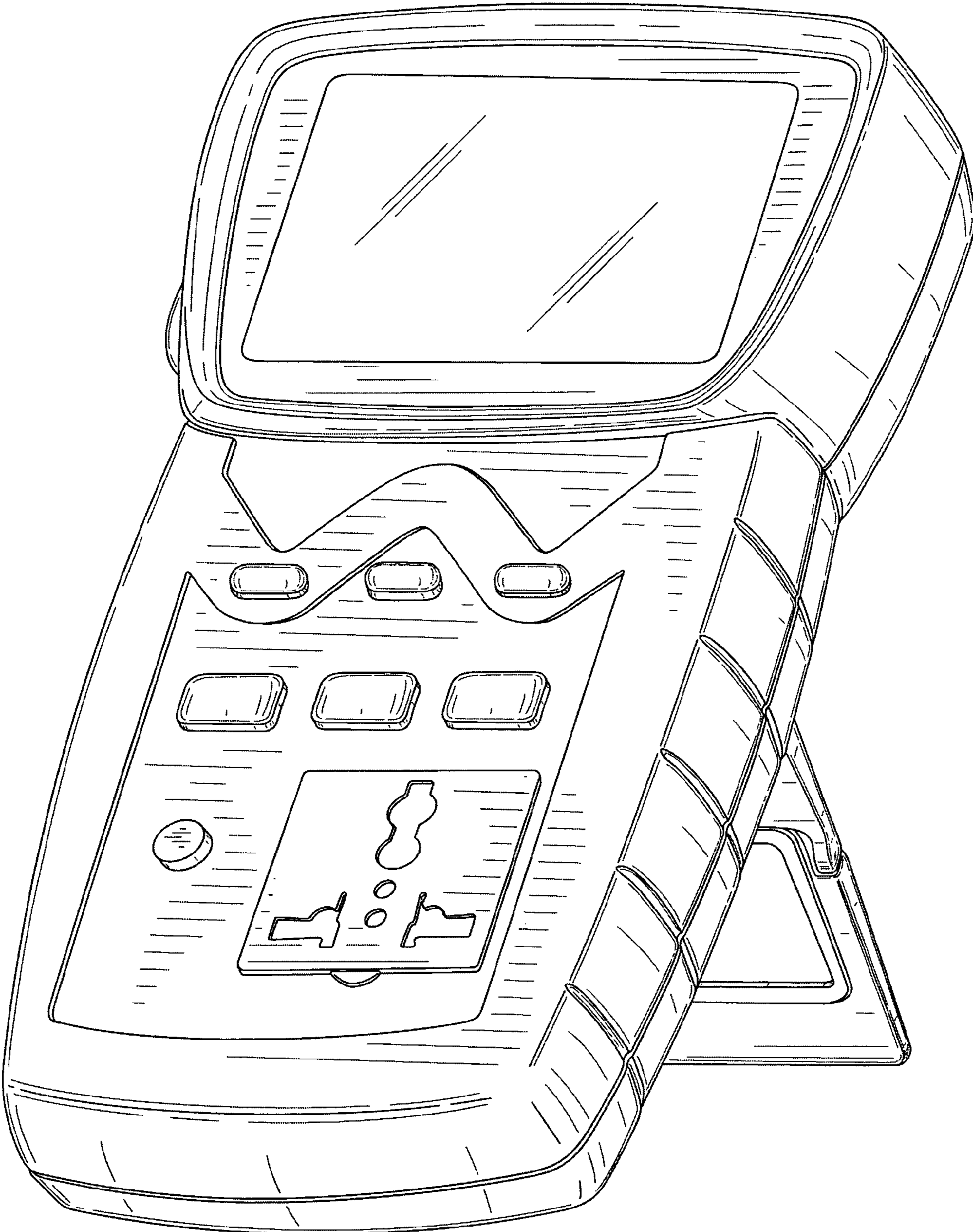


Fig. 1

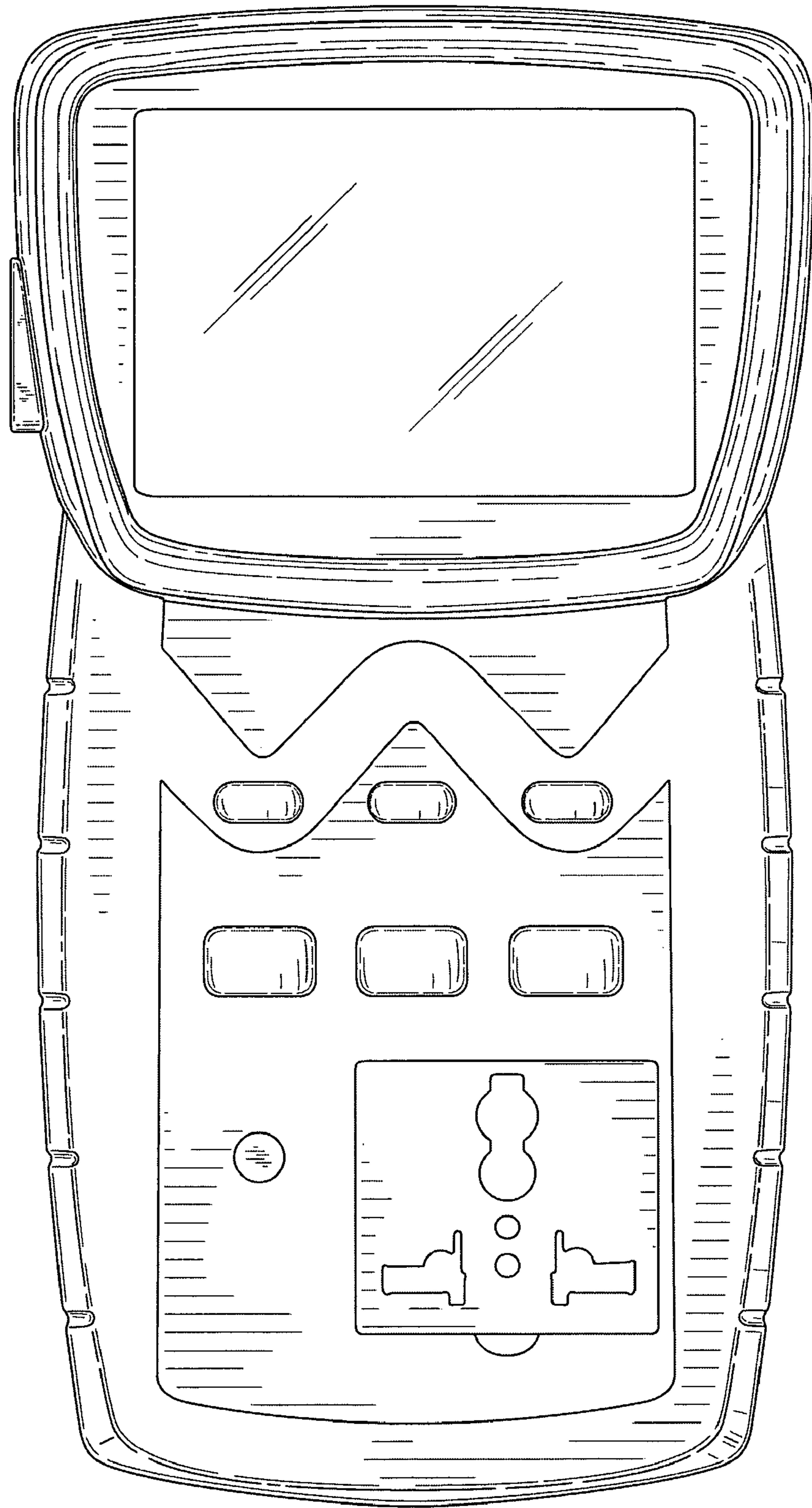


Fig. 2

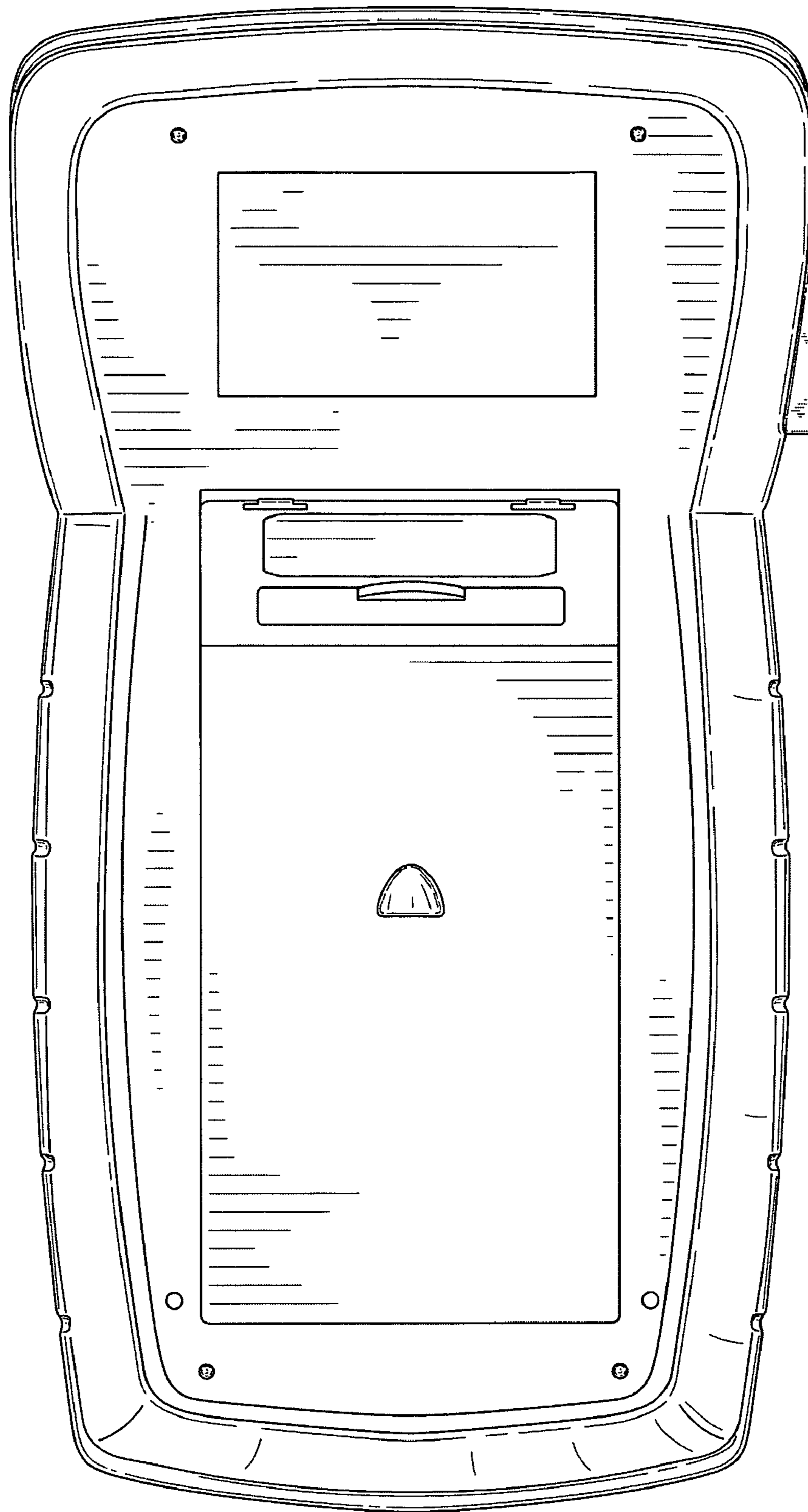


Fig. 3

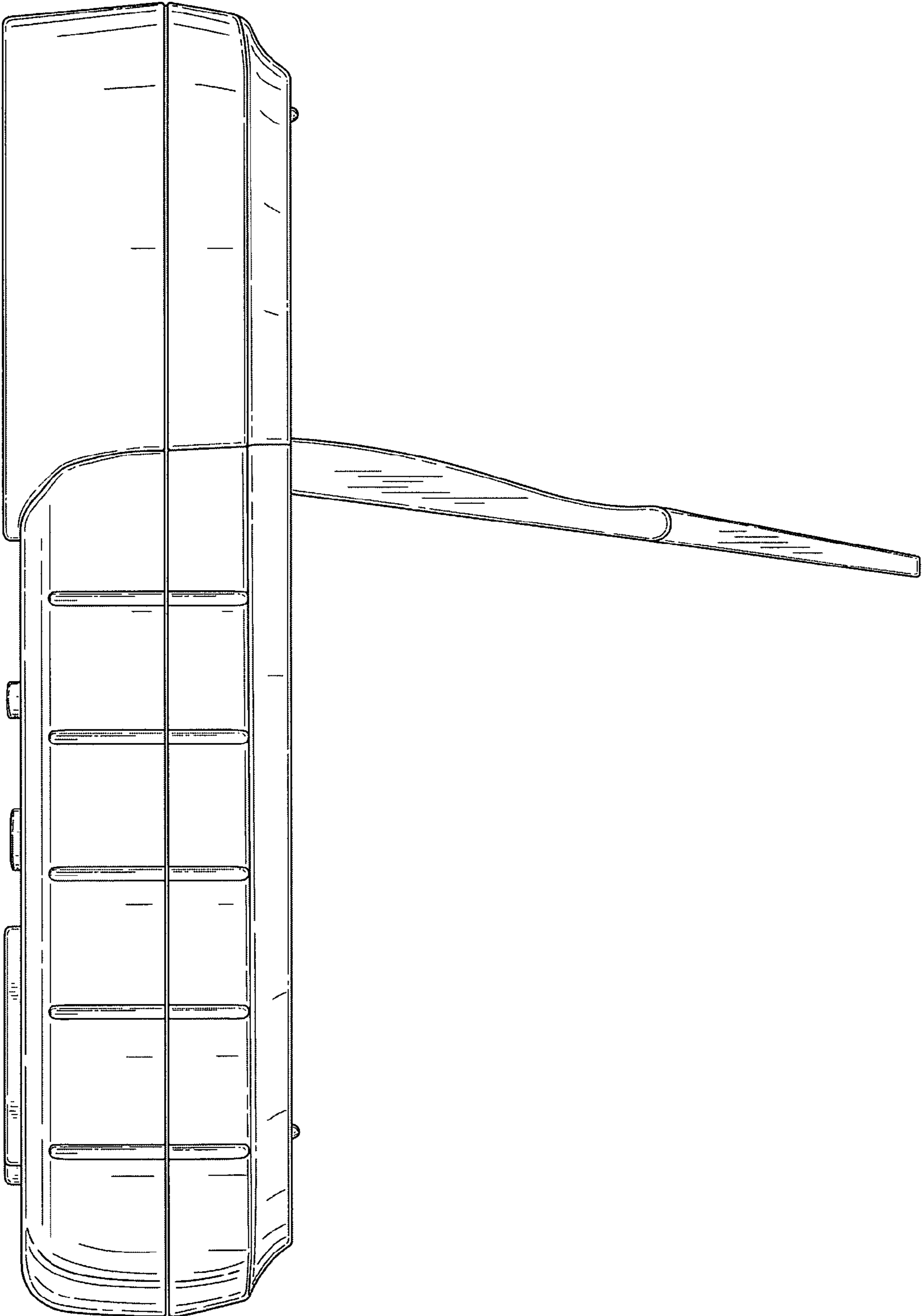


Fig. 4

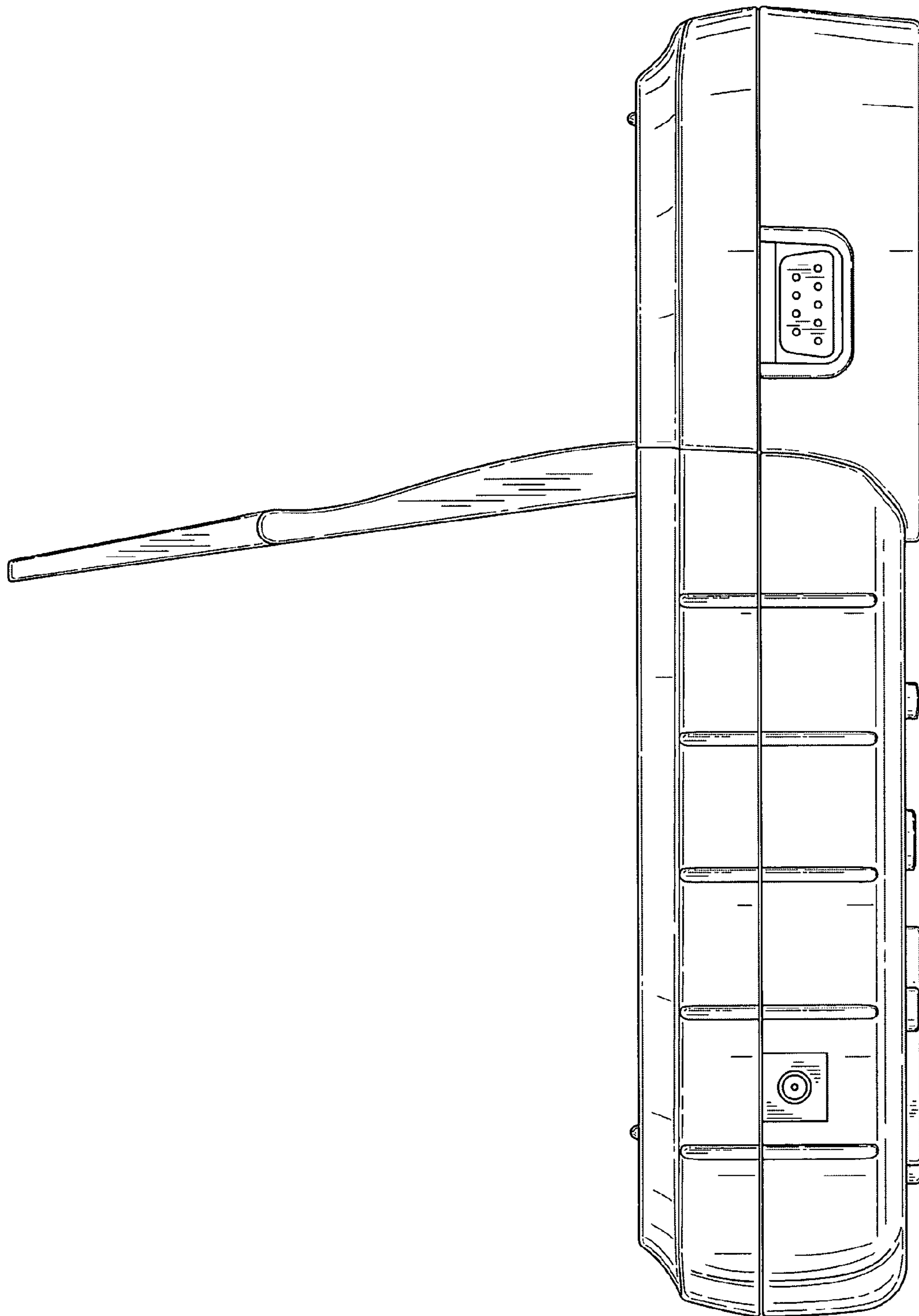


Fig. 5

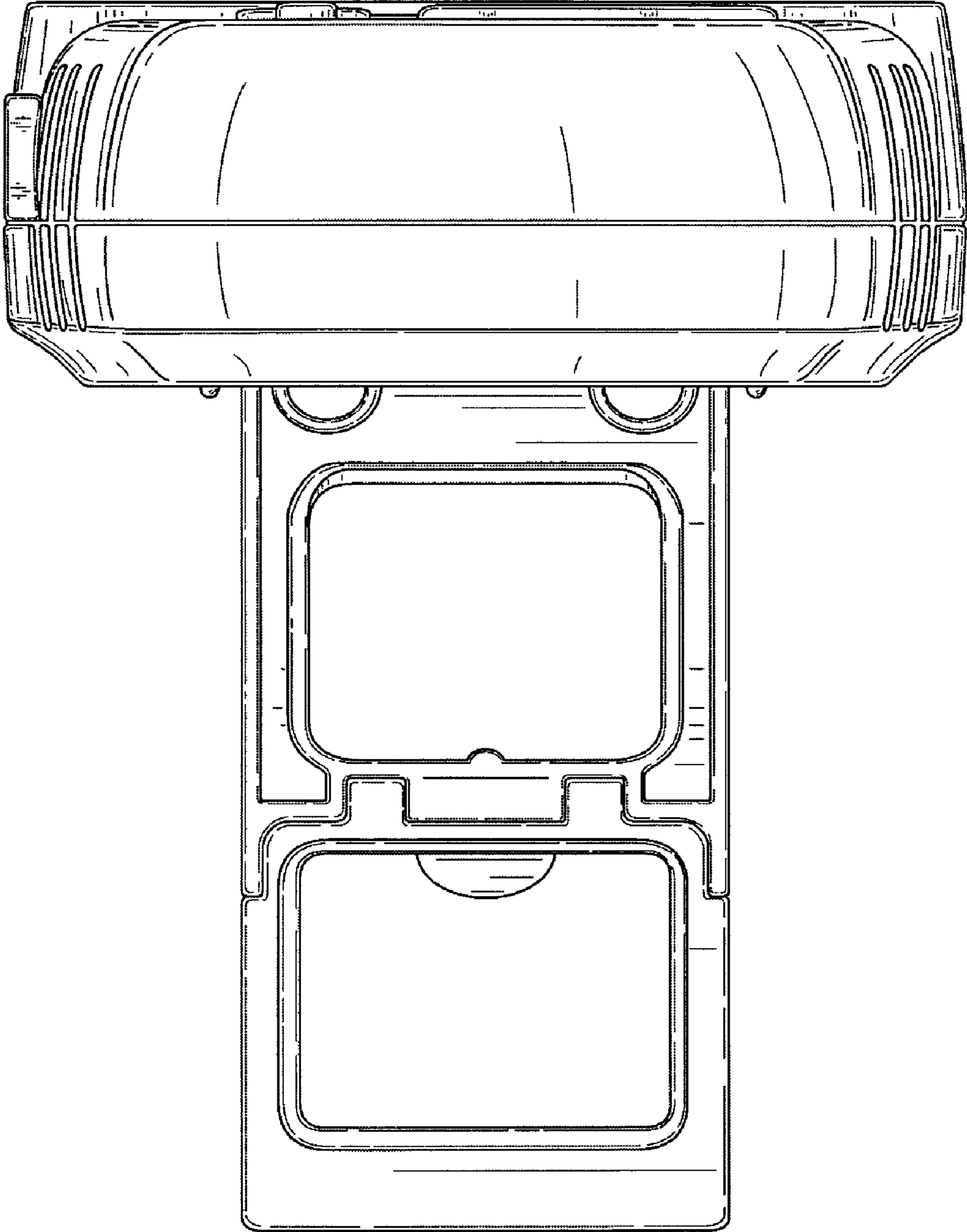


Fig. 6

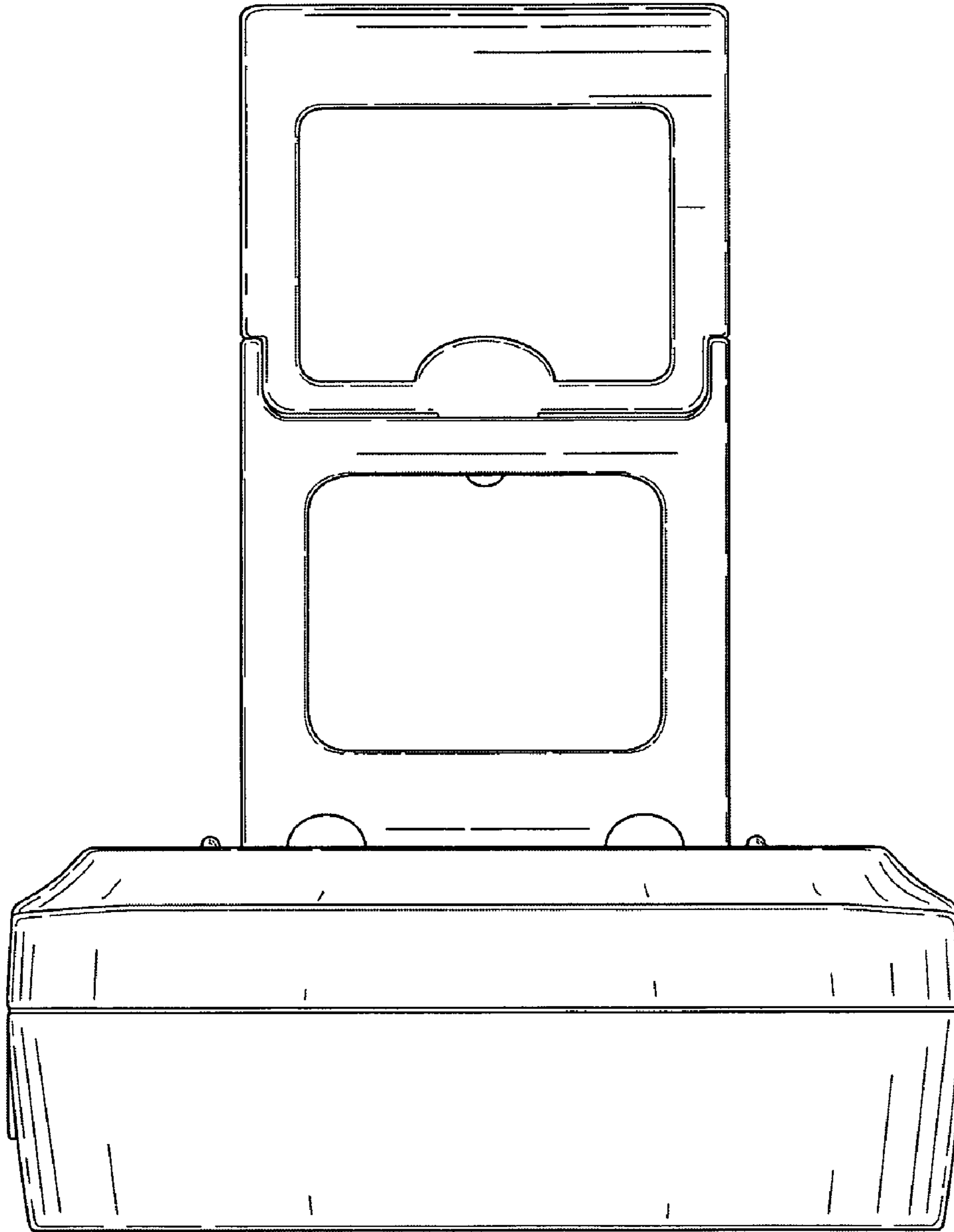


Fig. 7