



US00D588480S

(12) **United States Design Patent**
Gold et al.

(10) **Patent No.:** **US D588,480 S**
(45) **Date of Patent:** **** Mar. 17, 2009**

(54) **ELECTRONIC THERMOMETER**

D557,622 S * 12/2007 Thompson D10/57

(76) Inventors: **Jonathan Morris Gold**, c/o Brother Max Limited, Calleo House, 49 Theobald Street, Borehamwood (GB) WD6 4RT; **Daniel Jason Tyler**, c/o Brother Max Limited, Calleo House, 49 Theobald Street, Borehamwood (GB) WD6 4RT

* cited by examiner

Primary Examiner—Antoine D Davis

(57) **CLAIM**

The ornamental design for an electronic thermometer, as shown.

(**) Term: **14 Years**

DESCRIPTION

(21) Appl. No.: **29/320,220**

FIG. 1 is a perspective view of an electronic thermometer showing our new design;

(22) Filed: **Jun. 24, 2008**

FIG. 2 is a side elevational view thereof;

(51) **LOC (9) Cl.** **10-04**

FIG. 3 is a side elevational view thereof, opposite that shown in FIG. 2;

(52) **U.S. Cl.** **D10/57**

(58) **Field of Classification Search** D10/57-58; 99/343, 419, 421 TP; 116/216; 374/1-208
See application file for complete search history.

FIG. 4 is a front elevational view thereof;

FIG. 5 is a rear elevational view thereof;

FIG. 6 is a bottom plan view thereof; and,

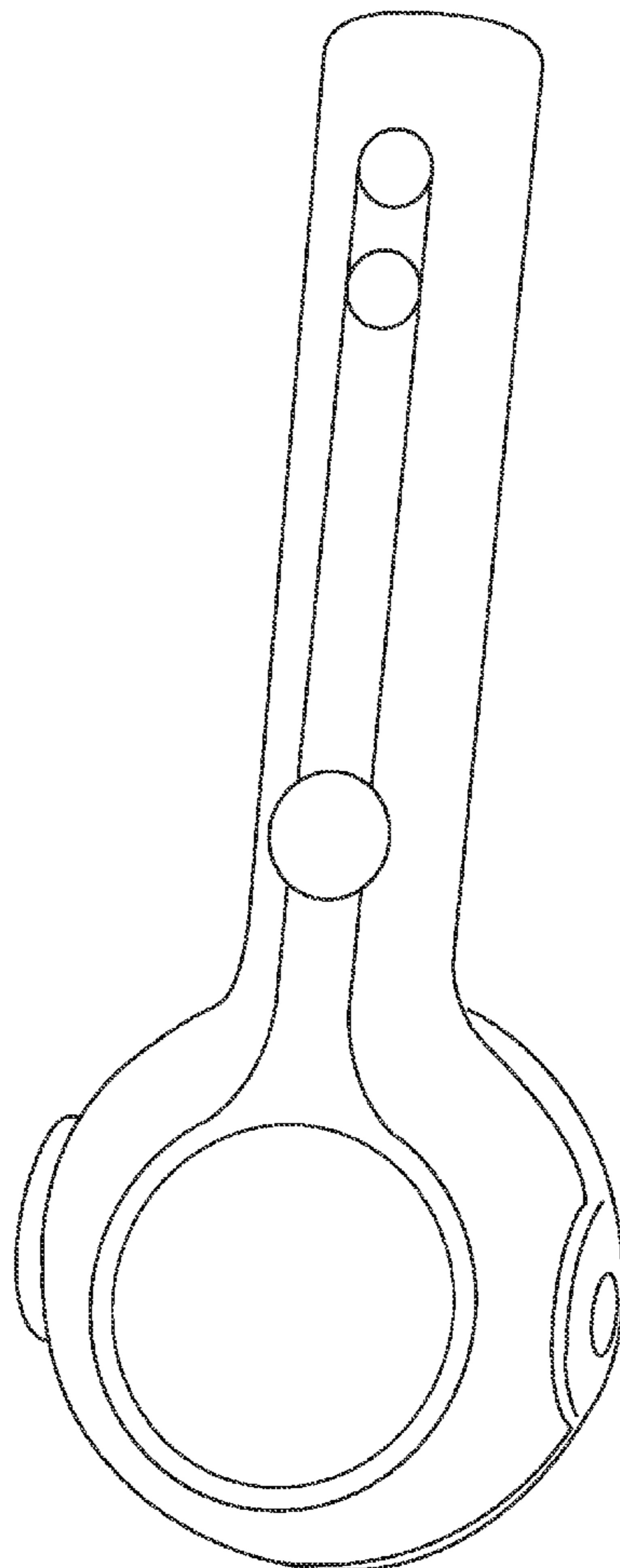
FIG. 7 is a top plan view thereof.

(56) **References Cited**

U.S. PATENT DOCUMENTS

D554,007 S * 10/2007 Thompson D10/57

1 Claim, 7 Drawing Sheets



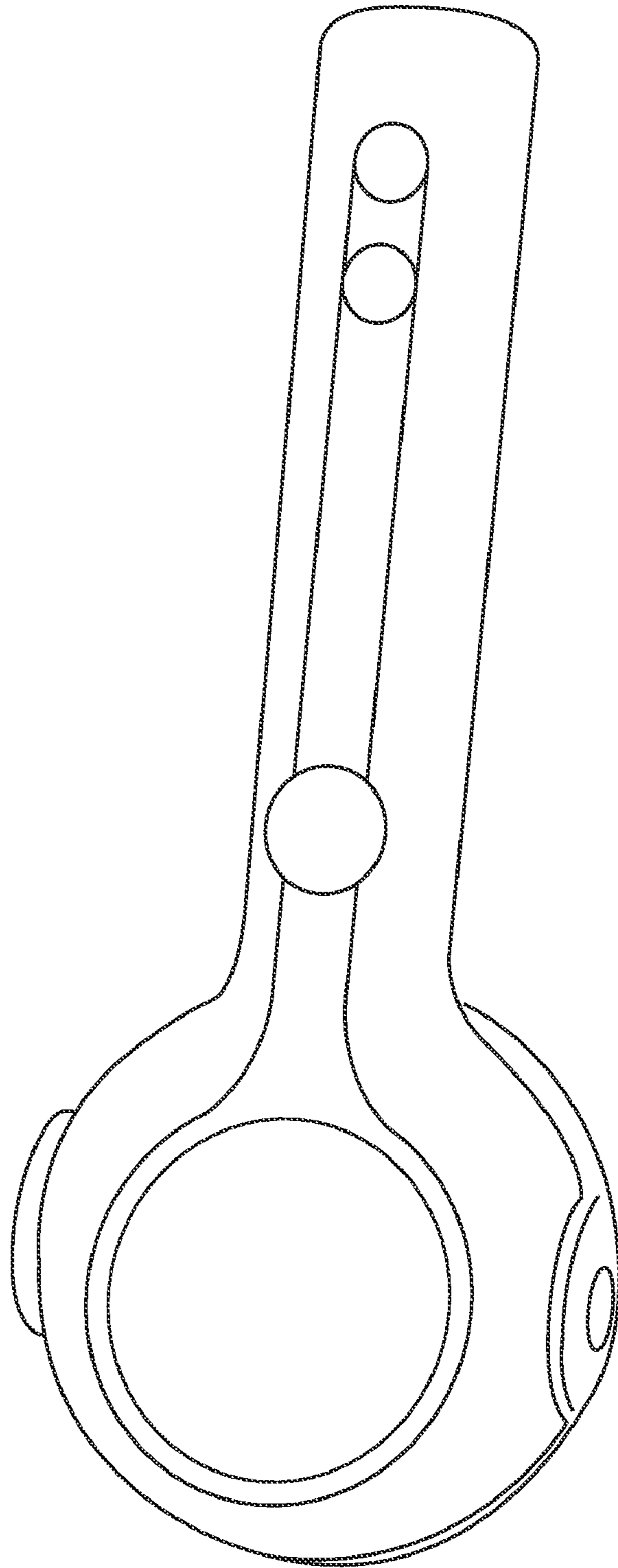


Fig. 1

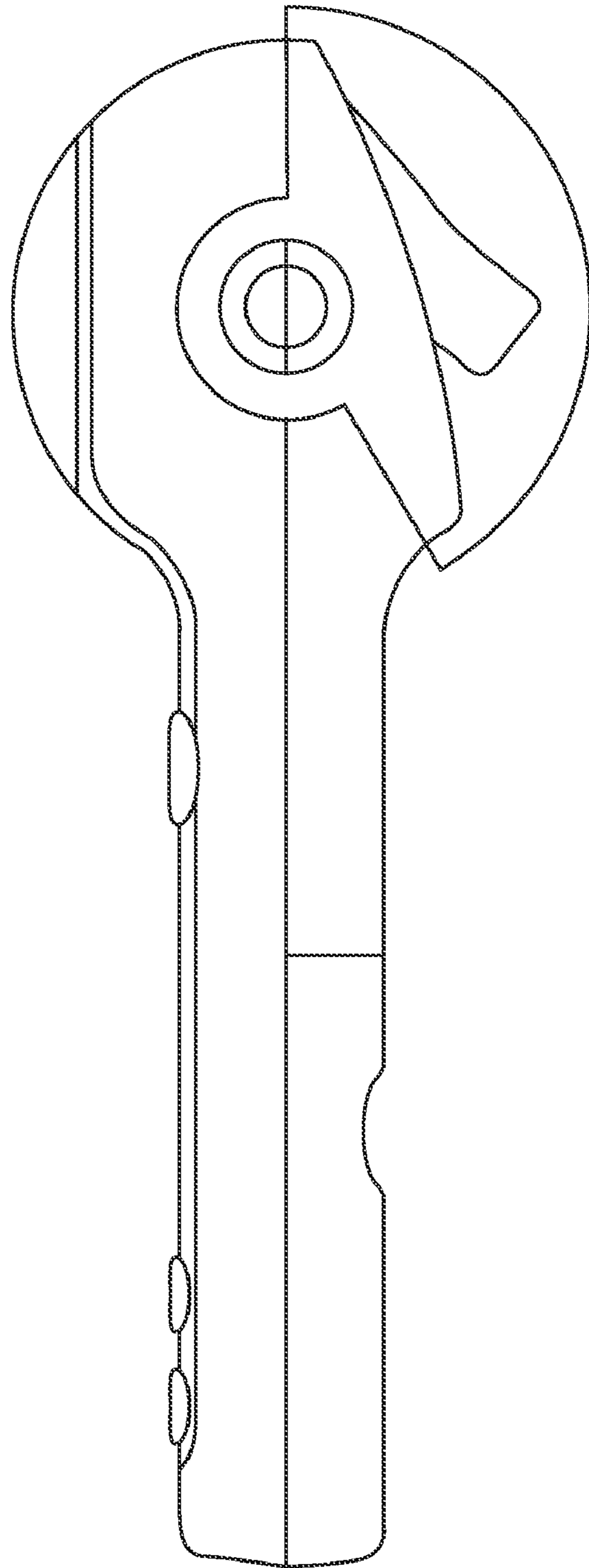


Fig. 2

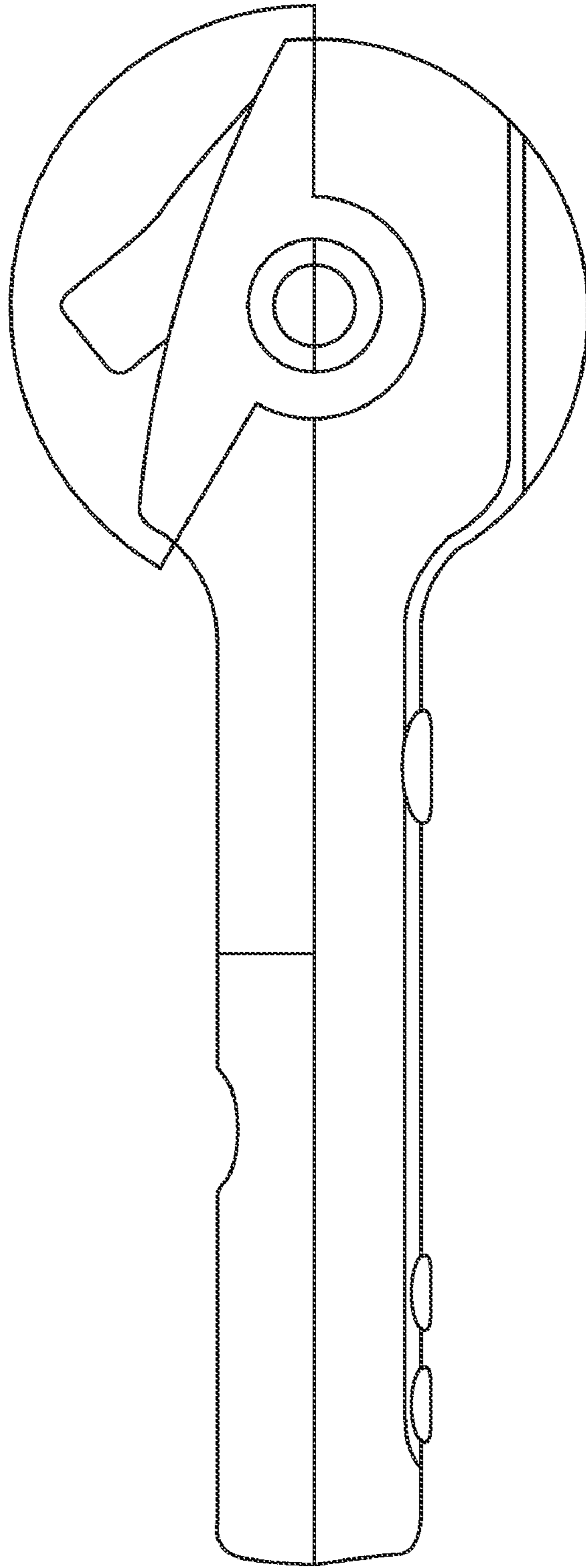


Fig. 3

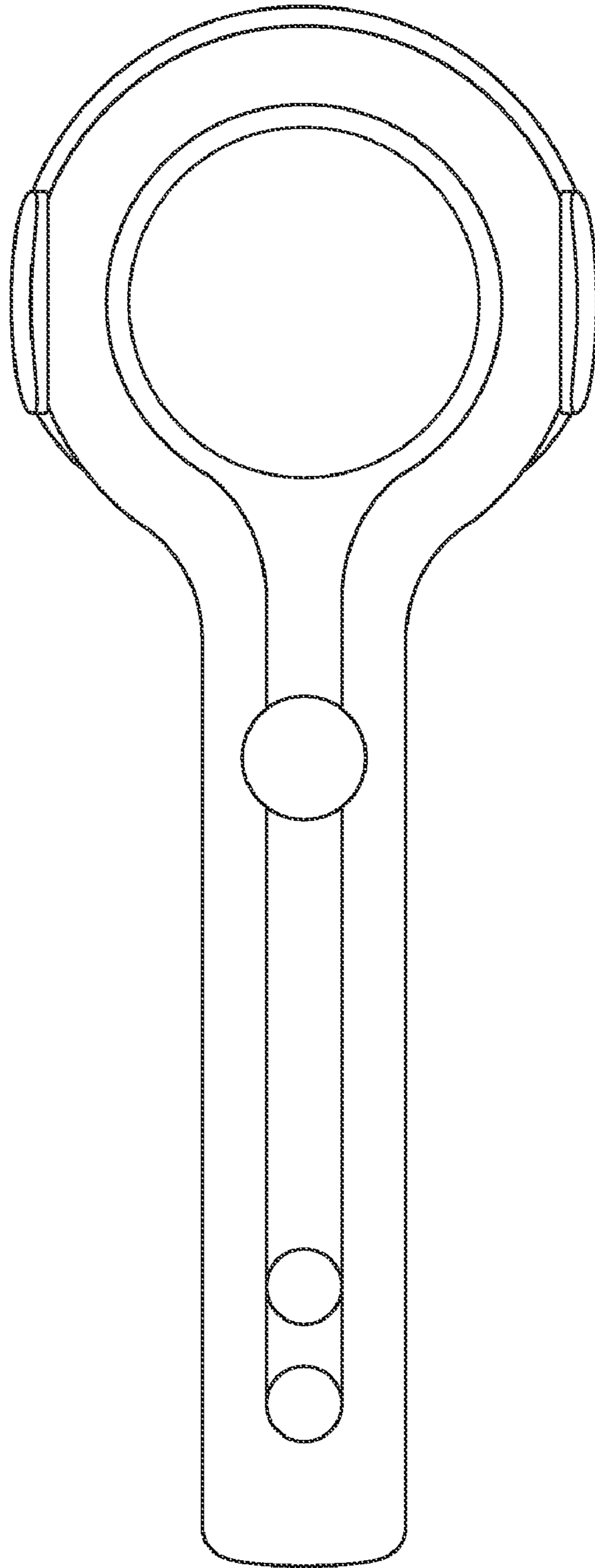


Fig. 4

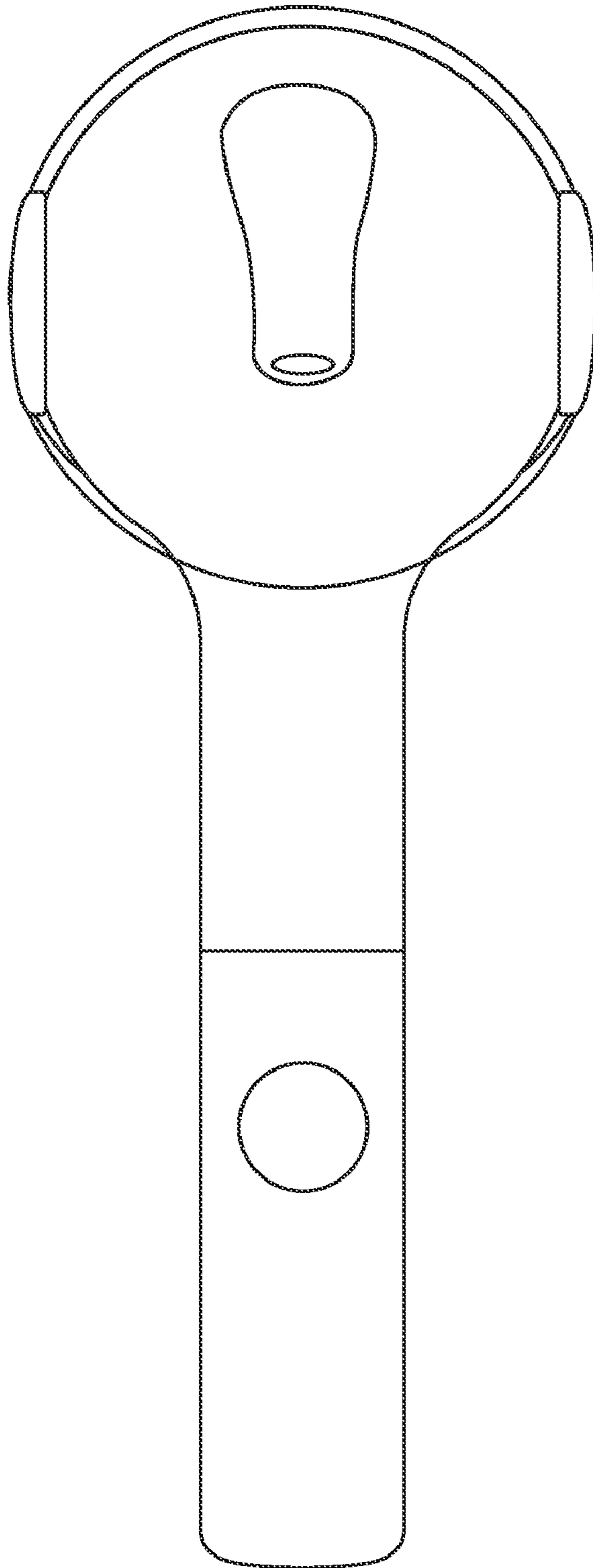


Fig. 5

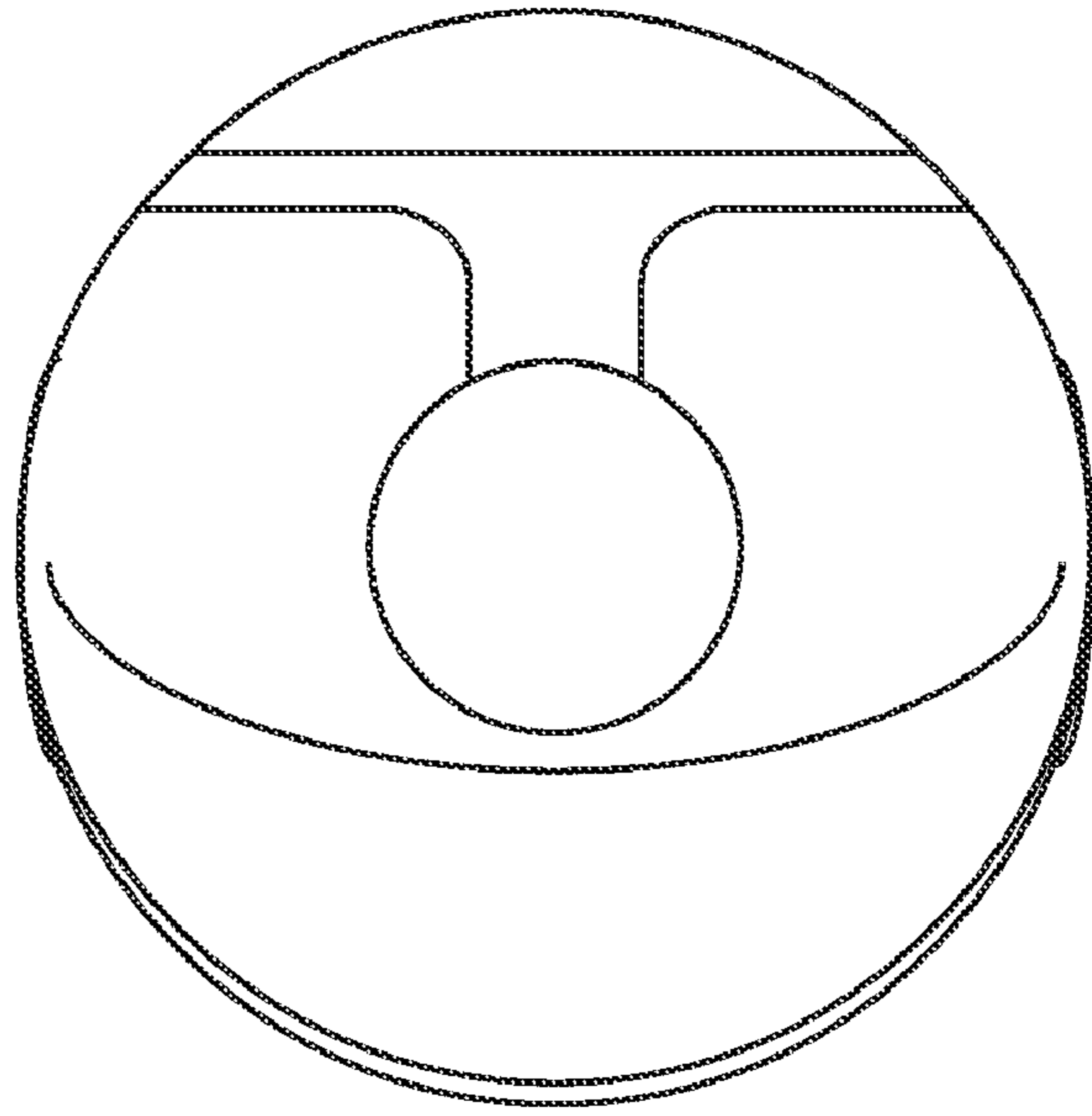


Fig. 6

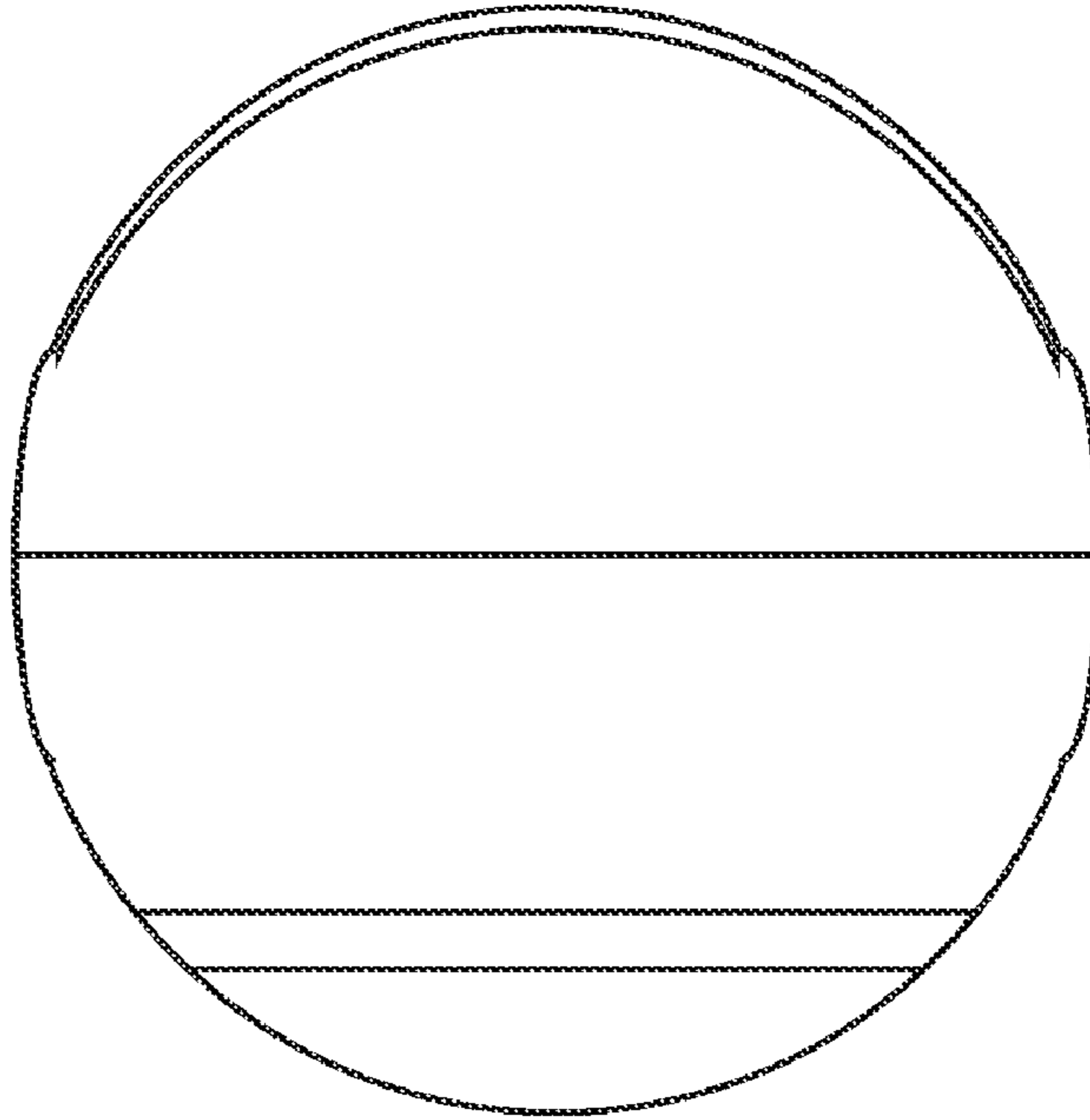


Fig. 7