



US00D588479S

(12) **United States Design Patent**
Giese

(10) **Patent No.:** **US D588,479 S**
(45) **Date of Patent:** **** Mar. 17, 2009**

(54) **CONTROL UNIT FOR A CLIMATE CONTROL SYSTEM**

Primary Examiner—Antoine D Davis
(74) *Attorney, Agent, or Firm*—Pearne & Gordon LLP

(75) Inventor: **Robert D Giese**, Kenosha, WI (US)

(57) **CLAIM**

(73) Assignee: **Dometic Corporation**, Elkhart, IN (US)

The ornamental design for a control unit for a climate control system, as shown and described.

(**) Term: **14 Years**

(21) Appl. No.: **29/323,424**

DESCRIPTION

(22) Filed: **Aug. 26, 2008**

(51) **LOC (9) Cl.** **10-04**

(52) **U.S. Cl.** **D10/50**

(58) **Field of Classification Search** D10/49–50;
236/5, 46 R–46 F, 47, 49.3, 51, 84, 94; 340/7.21–7.24,
340/7.32, 825.6, 825.72, 539.1, 539.14, 539.21,
340/539.26, 426.21, 584.589, 870.17; 374/167;
400/485; 455/420, 226.1

FIG. 1 is a perspective view of my new control unit for a climate control system;

FIG. 2 is a front view thereof;

FIG. 3 is a top view thereof;

FIG. 4 is a right side view thereof;

FIG. 5 is a rear view thereof;

FIG. 6 is a left side view thereof; and,

FIG. 7 is a bottom view thereof.

See application file for complete search history.

The surface markings illustrated in broken lines in FIGS. 1, 2, 4 and 6 and the surfaces and/or portions of surfaces bounded by broken lines in FIGS. 3 to 7 are provided for illustrative purposes only and form no part of the claimed design.

(56) **References Cited**

U.S. PATENT DOCUMENTS

- D429,697 S * 8/2000 Monaco et al. D10/50
- D446,132 S * 8/2001 Pickens D10/50
- D457,442 S * 5/2002 Schuler D10/49

* cited by examiner

1 Claim, 2 Drawing Sheets

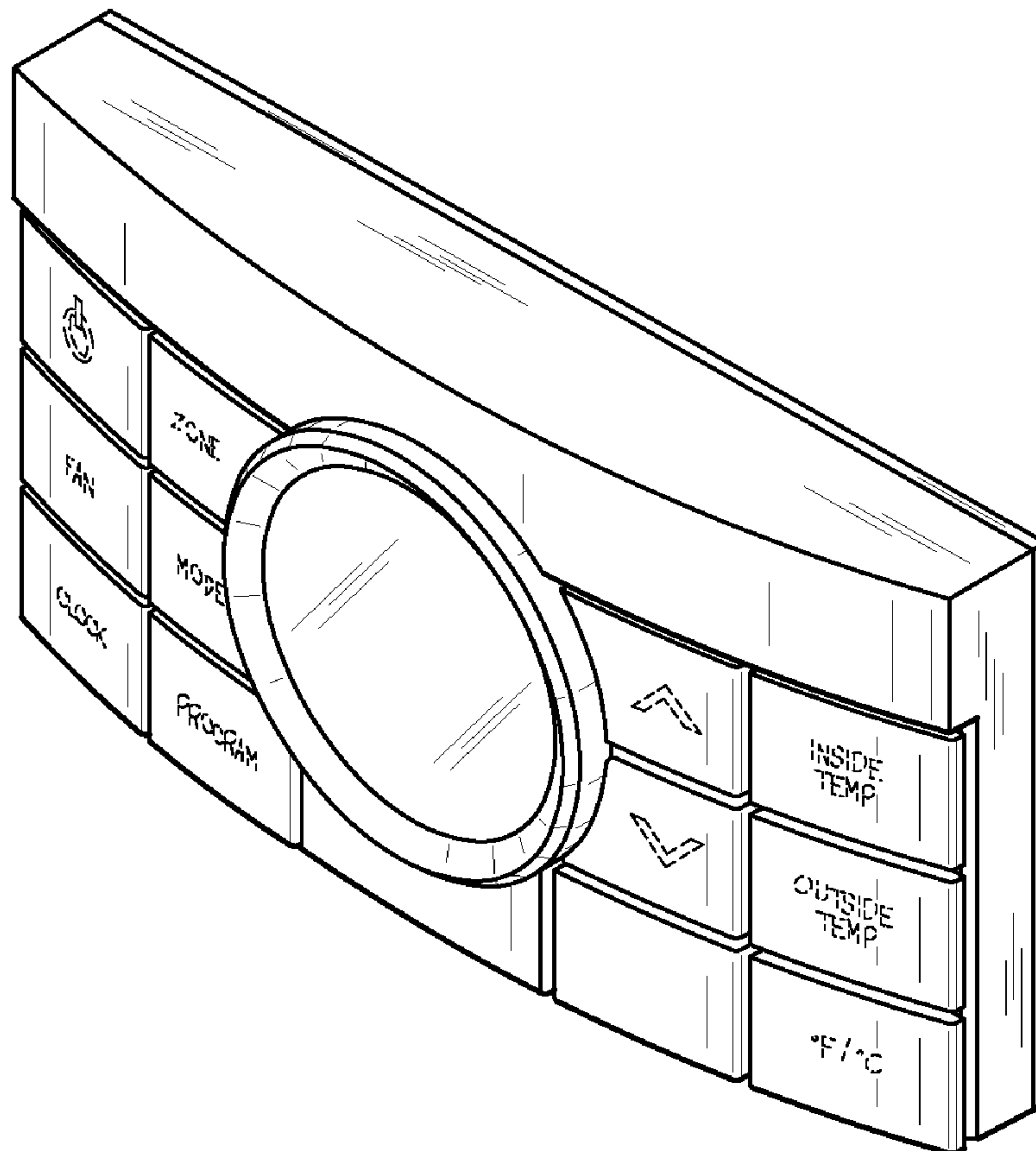


FIG. 1

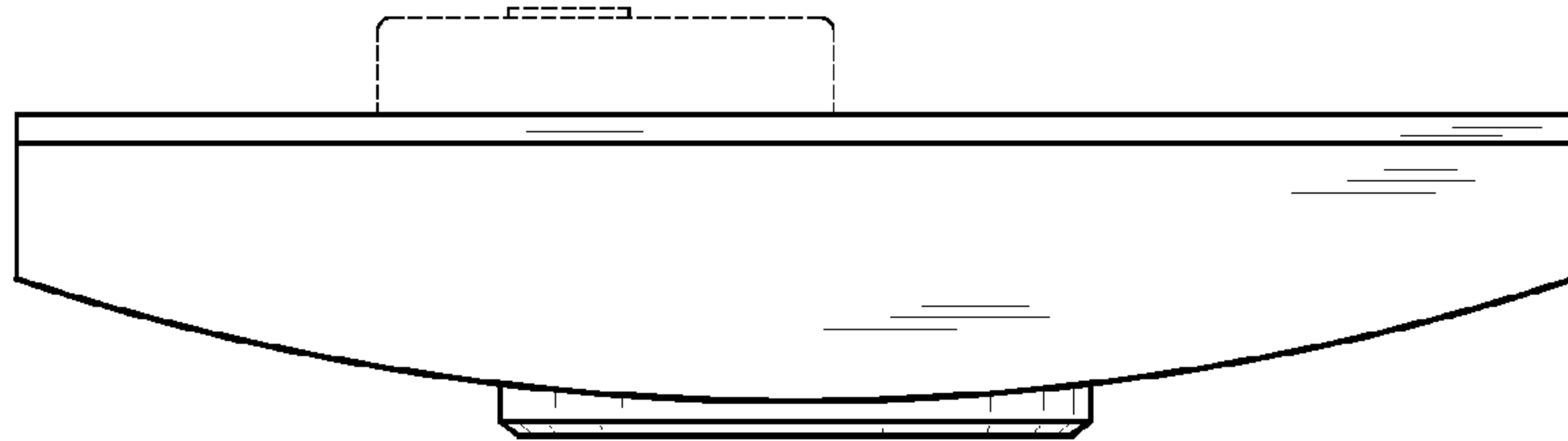
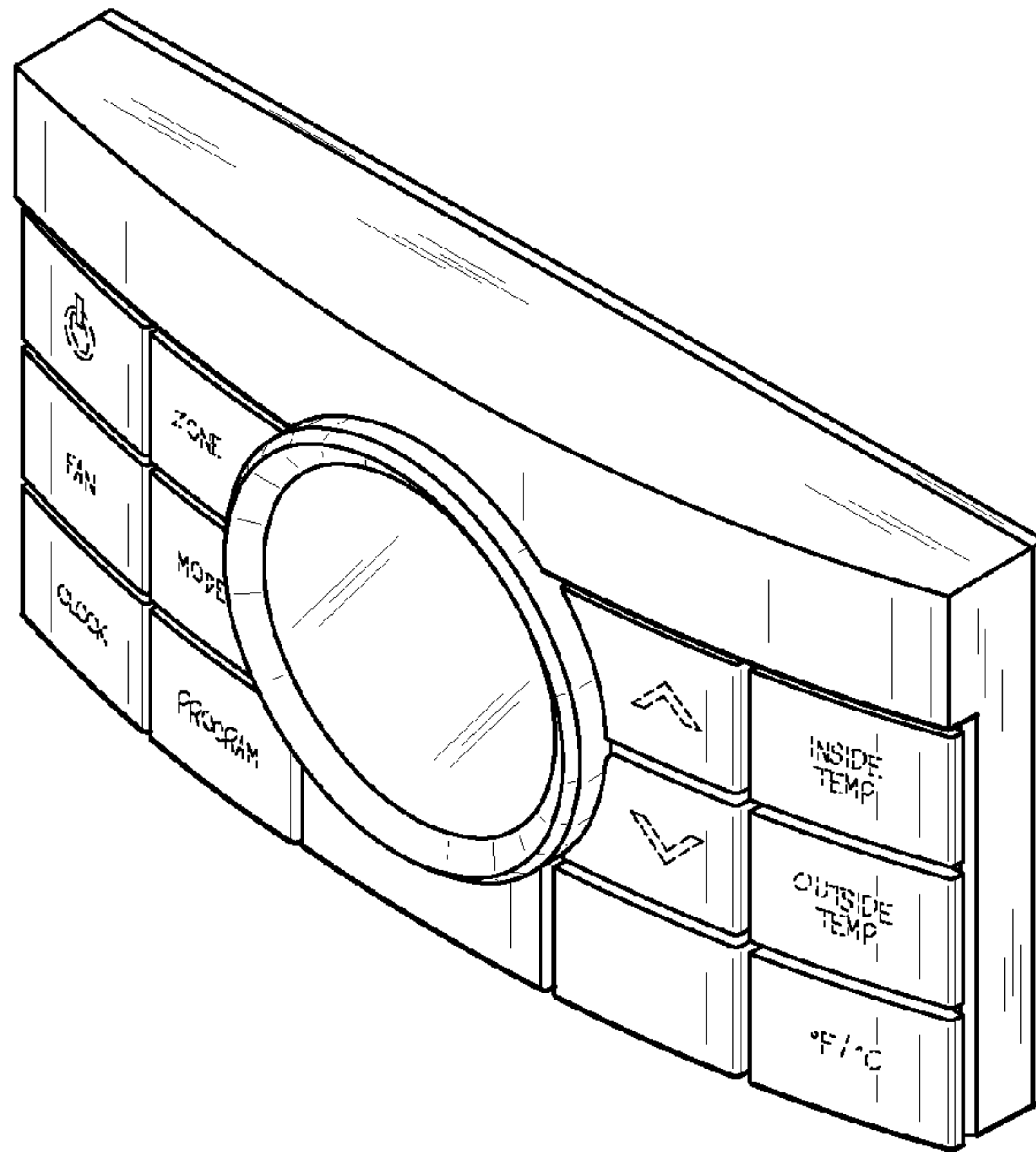


FIG. 3

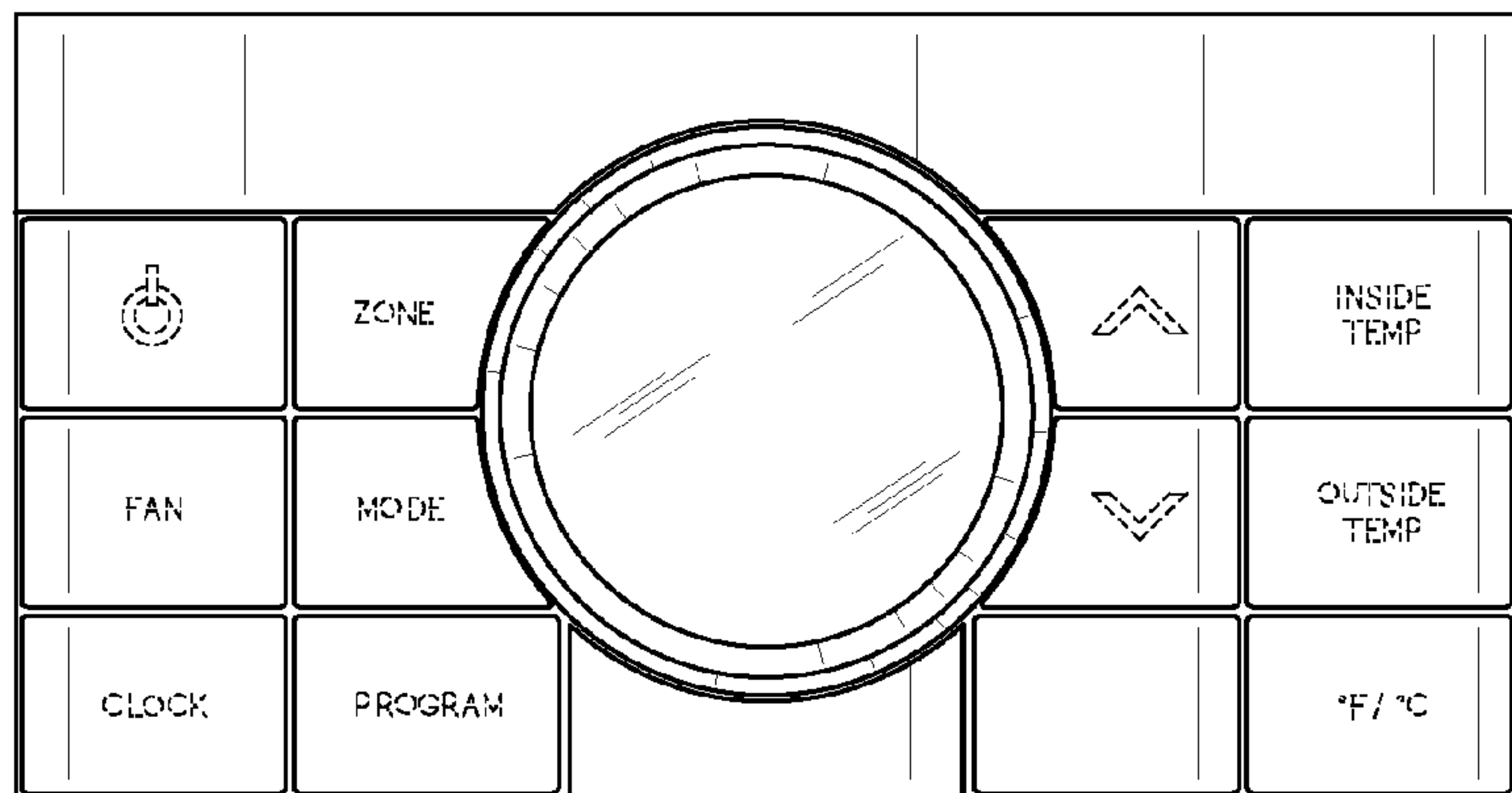


FIG. 2

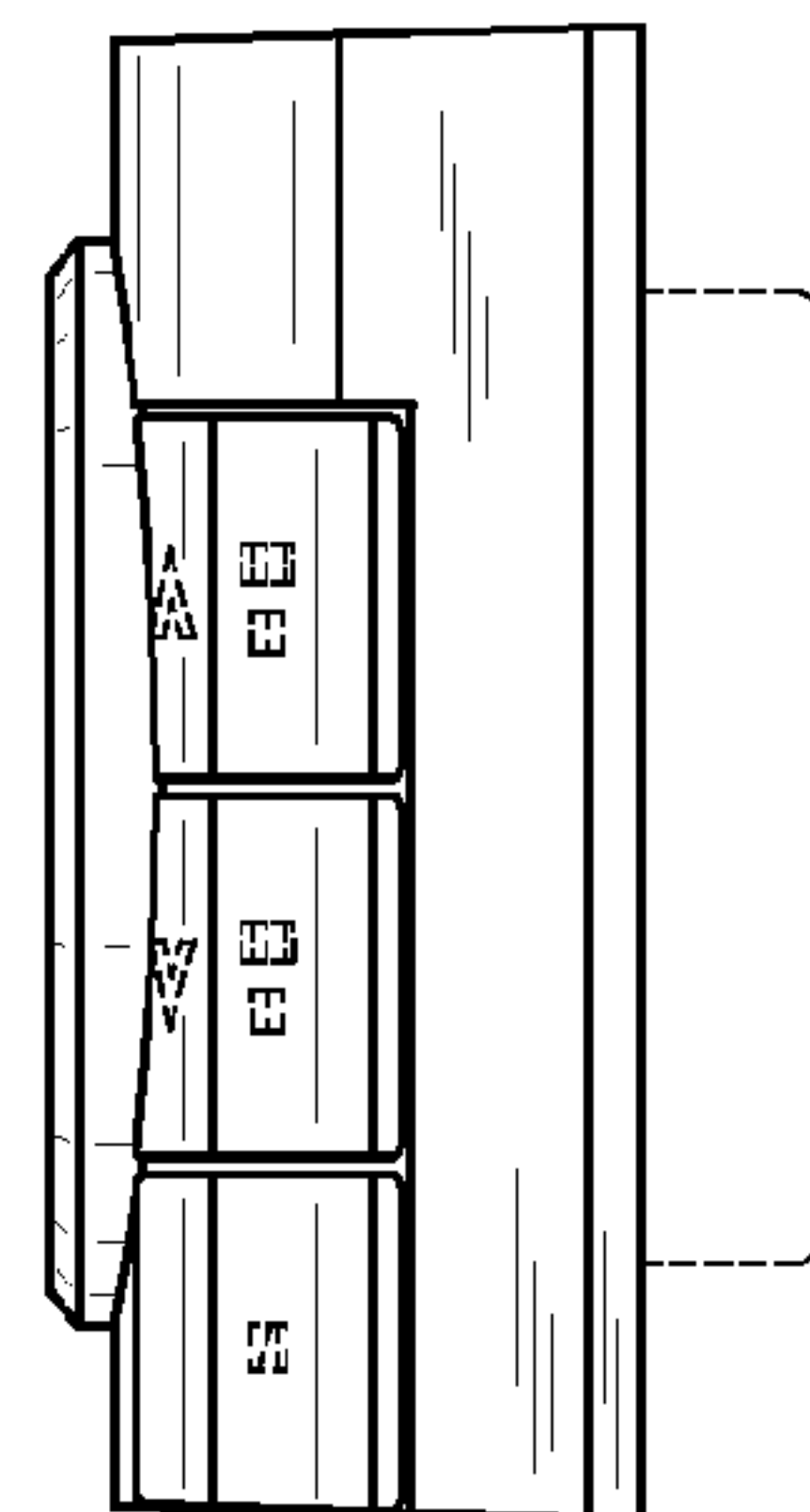


FIG. 4

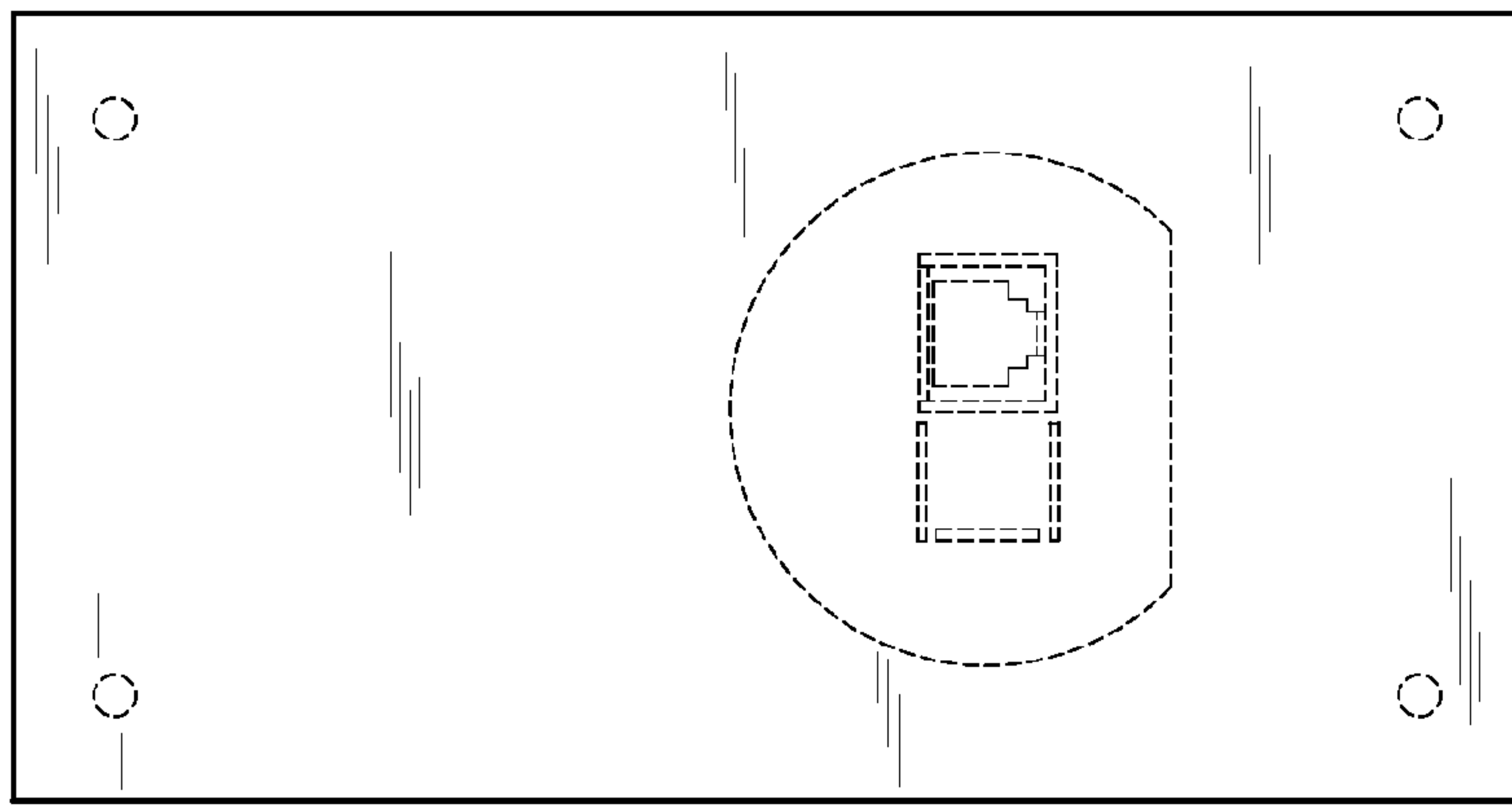


FIG. 5

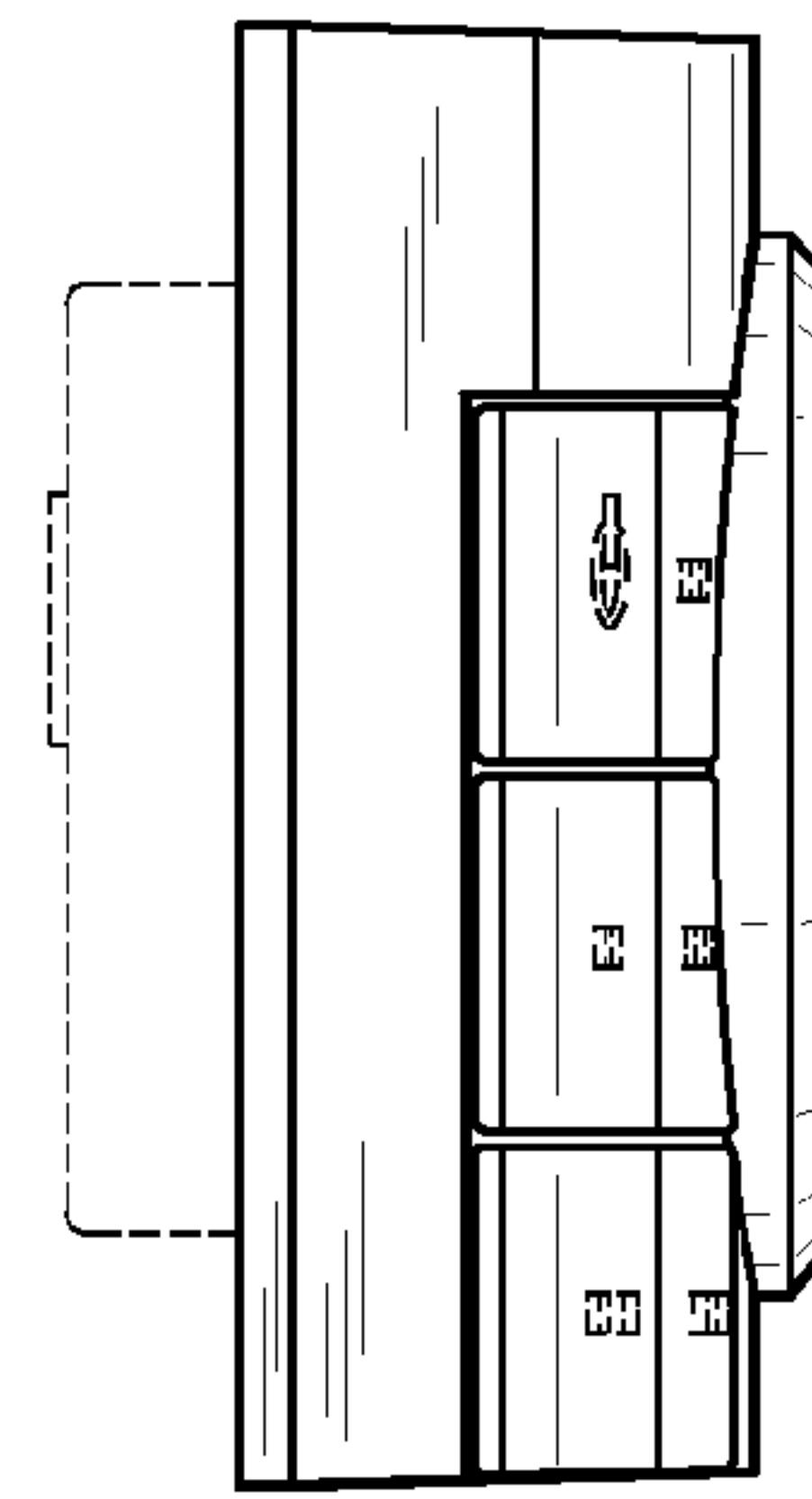


FIG. 6

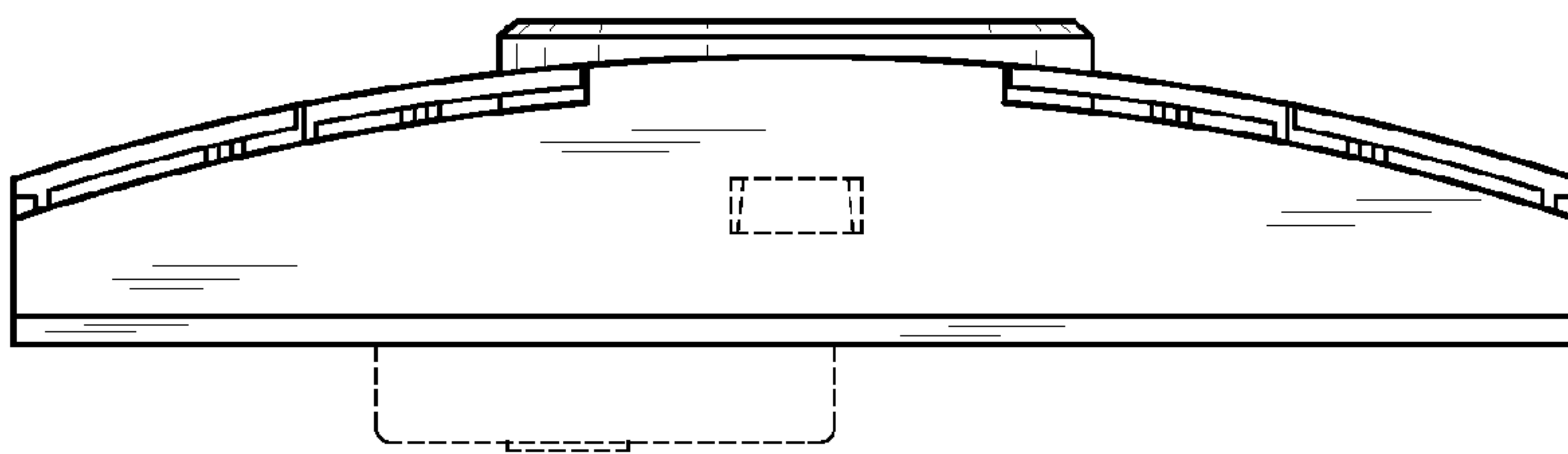


FIG. 7