



US00D588476S

(12) **United States Design Patent**
Wehrly

(10) **Patent No.:** **US D588,476 S**
(45) **Date of Patent:** **** Mar. 17, 2009**

(54) **SHOT CLOCK TIMER FOR A BASKETBALL MATHEMATICS GAME**

(75) Inventor: **James E. Wehrly**, Cupertino, CA (US)

(73) Assignee: **Stokes Publishing Company, Inc.**, Sunnyvale, CA (US)

(**) Term: **14 Years**

(21) Appl. No.: **29/310,067**

(22) Filed: **Jul. 23, 2008**

(51) **LOC (9) Cl.** **10-03**

(52) **U.S. Cl.** **D10/40**

(58) **Field of Classification Search** D10/6,
D10/15, 40, 41; 368/96-100, 107-123
See application file for complete search history.

(56) **References Cited**

U.S. PATENT DOCUMENTS

D221,463	S	*	8/1971	Polisky	D10/6
D273,943	S	*	5/1984	Dillon	D10/6
D297,712	S	*	9/1988	Rittenhouse et al.	D10/15
D317,263	S	*	6/1991	Rothman	D10/23
5,140,564	A	*	8/1992	Rich	368/107
5,357,487	A	*	10/1994	Coleman, III	368/10
D375,690	S	*	11/1996	Plogman	D10/15
D396,642	S	*	8/1998	Lai	D10/6
D420,601	S	*	2/2000	Percy	D10/40
6,104,674	A	*	8/2000	Emoff et al.	368/109
D437,238	S	*	2/2001	Sell	D10/15

D447,958	S	*	9/2001	Hansen	D10/6
D452,166	S	*	12/2001	Sato	D10/15
D460,919	S	*	7/2002	Micinilio	D10/1
D475,301	S	*	6/2003	Kiu	D10/15
D481,641	S	*	11/2003	Kibiloski et al.	D10/15
D481,958	S	*	11/2003	Kibiloski et al.	D10/15
D553,513	S	*	10/2007	Takeda	D10/41

* cited by examiner

Primary Examiner—Lucy Lieberman

(74) *Attorney, Agent, or Firm*—Thomas M. Freiburger

(57) **CLAIM**

The ornamental design for a shot clock timer for a basketball mathematics game, substantially as shown and described.

DESCRIPTION

FIG. 1 is a perspective view showing a shot clock timer for a basketball mathematics game according to my new design;

FIG. 2 is a top plan view thereof;

FIG. 3 is a bottom plan view thereof, the dashed line elements not forming a part of the design;

FIG. 4 is a right side elevation thereof;

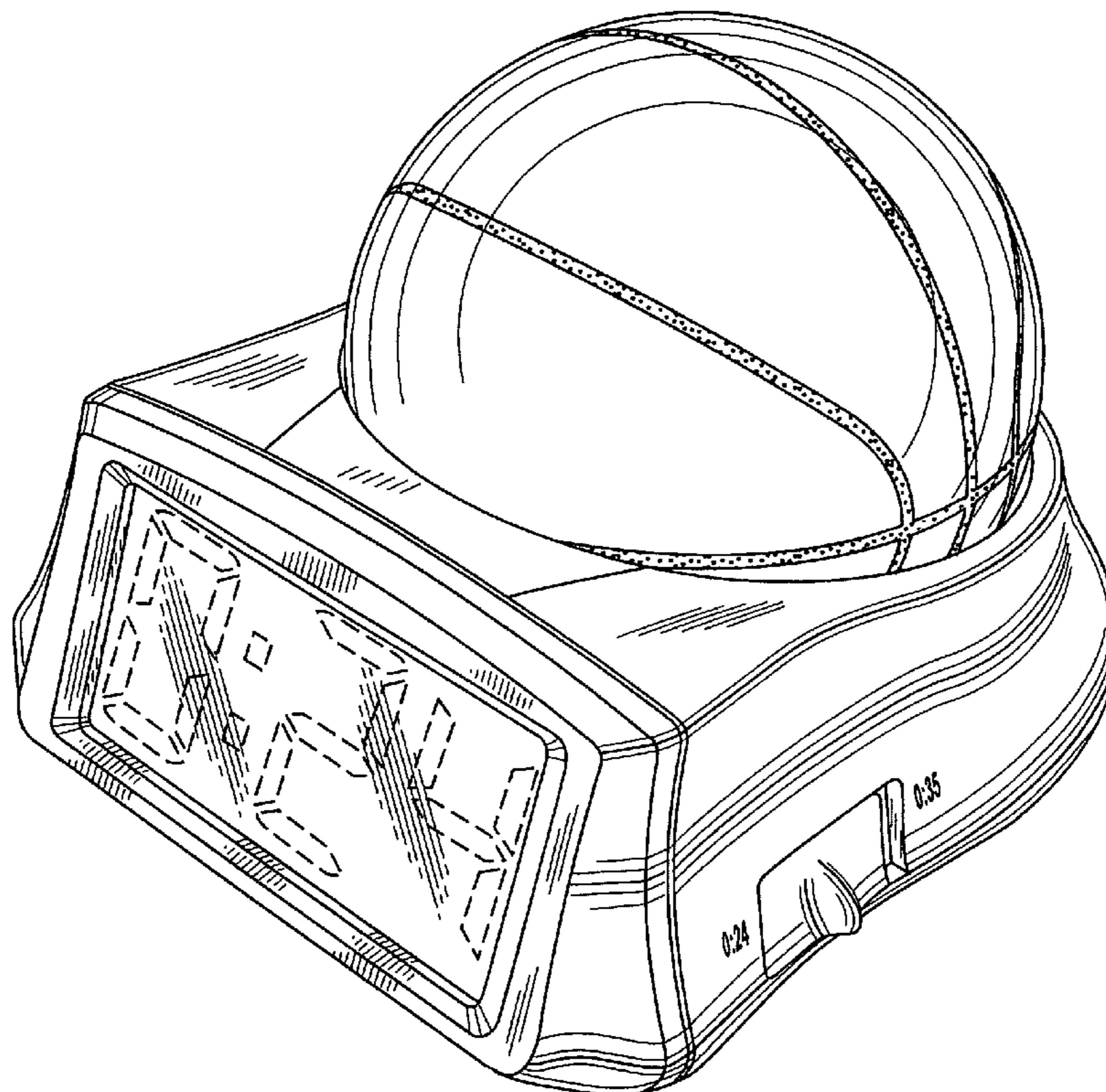
FIG. 5 is a left side elevation thereof;

FIG. 6 is a front elevation view thereof; and,

FIG. 7 is a rear elevation view thereof.

The broken lines shown in FIGS. 1, 3 and 6 are for illustrative purposes only and form no part of the claimed design.

1 Claim, 4 Drawing Sheets



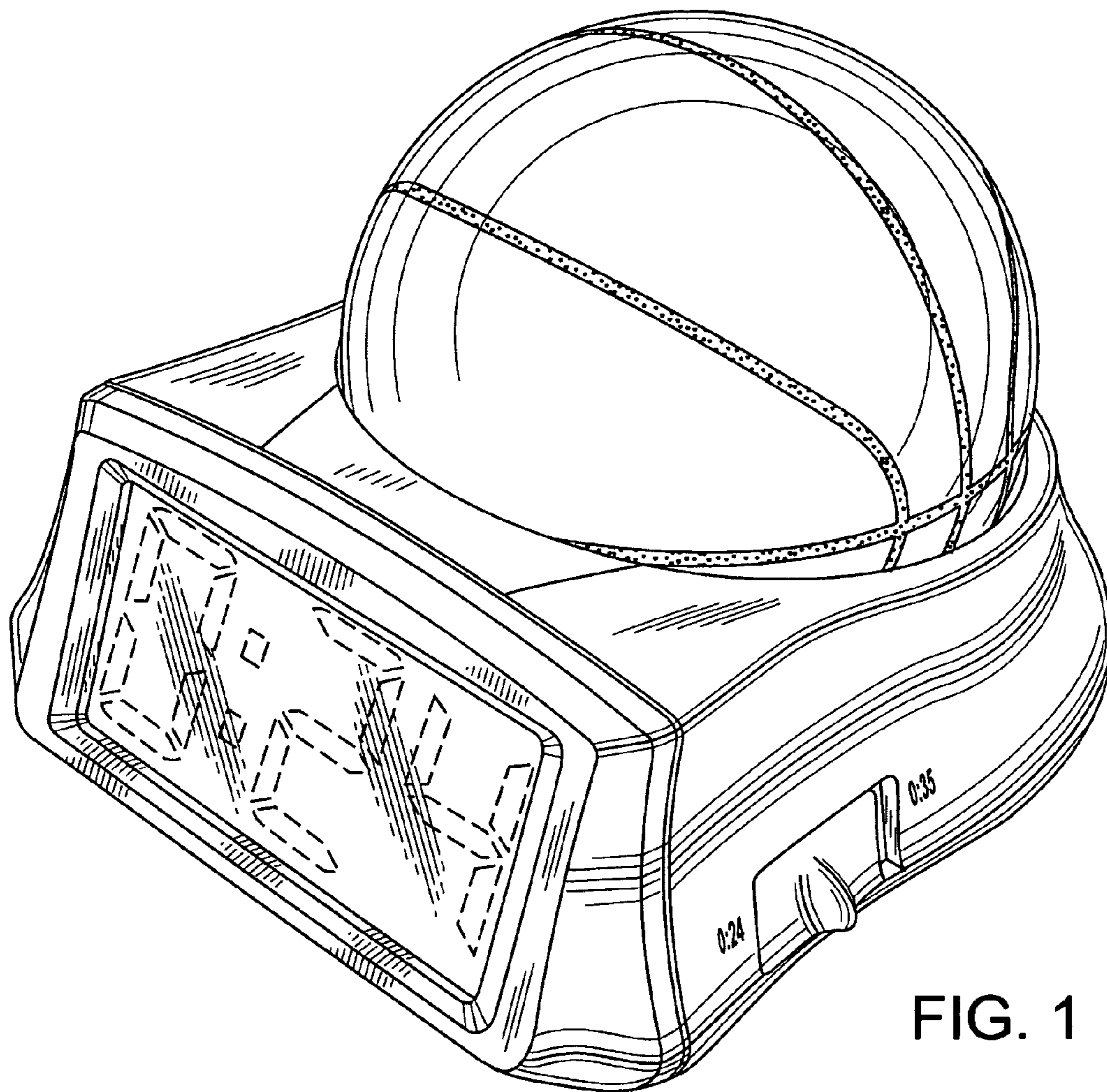


FIG. 1

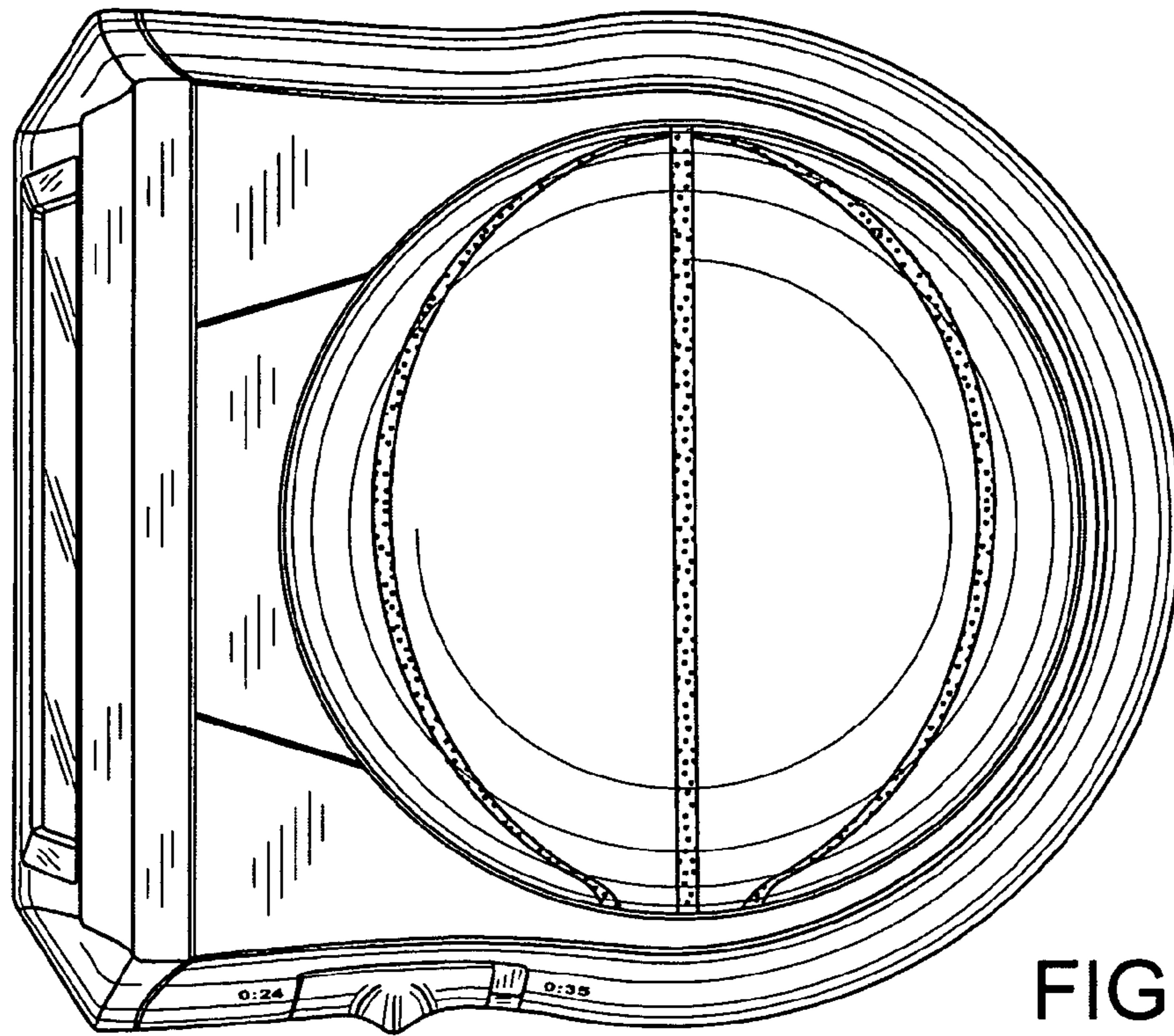


FIG. 2

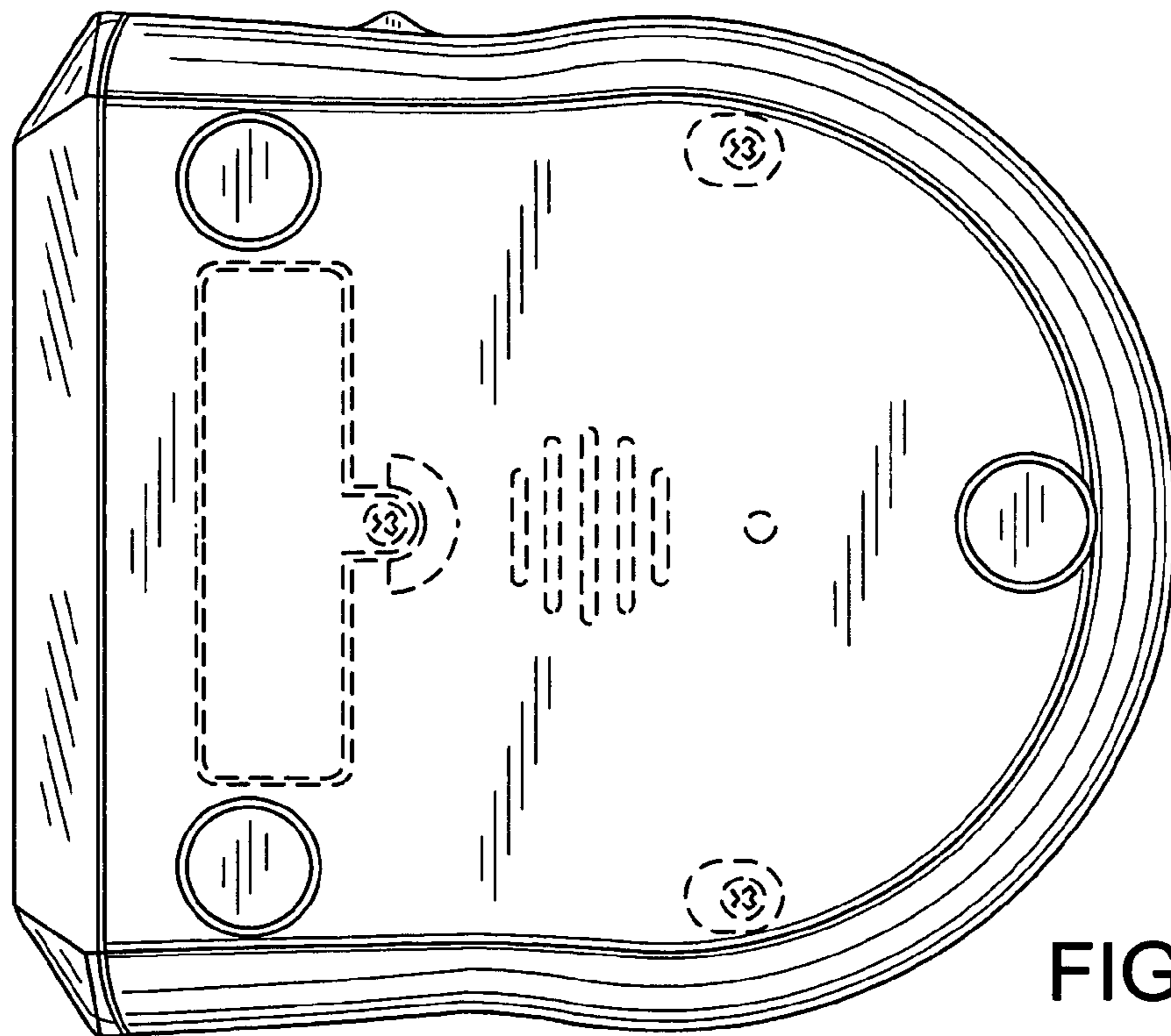


FIG. 3

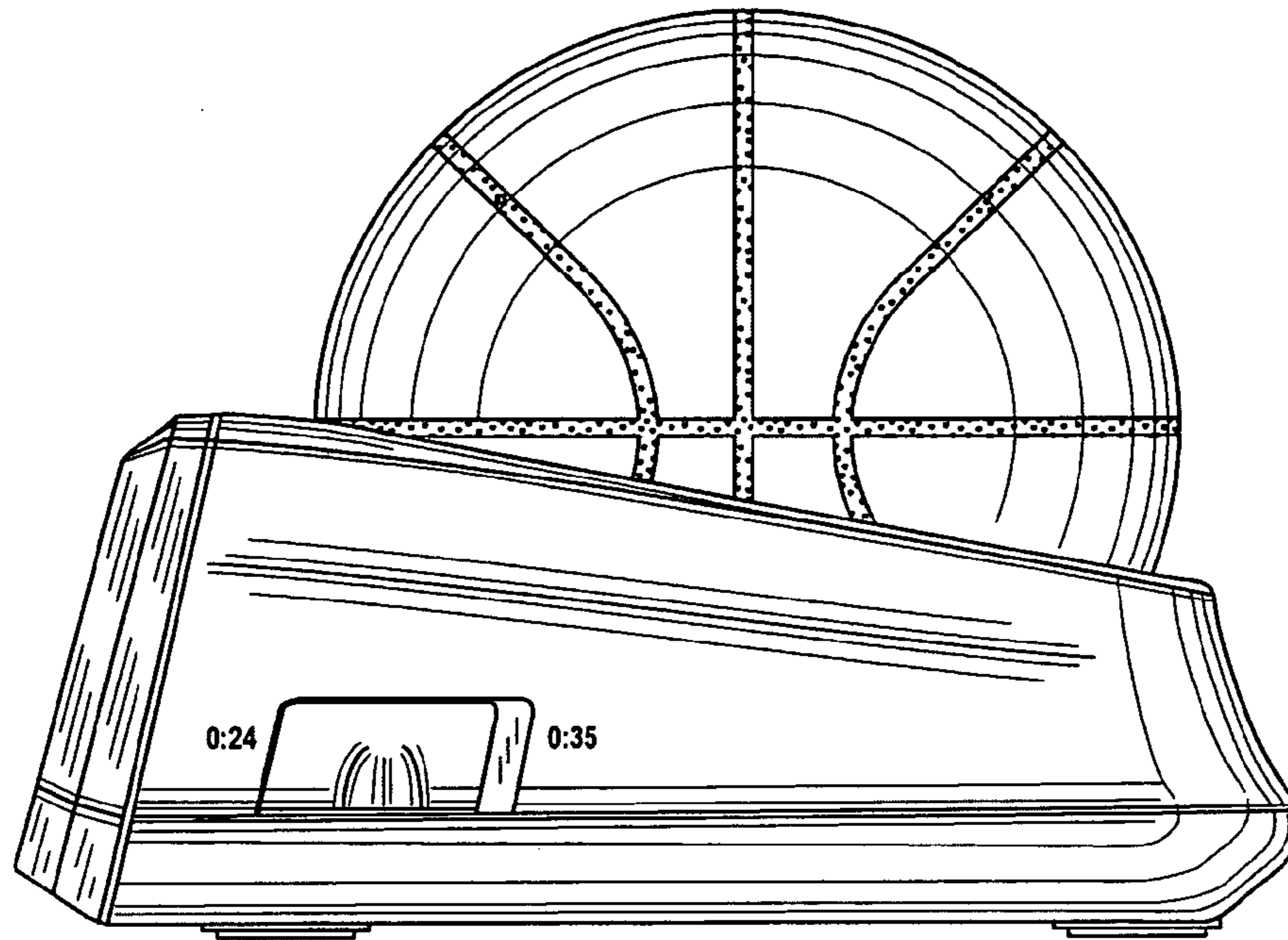


FIG. 4

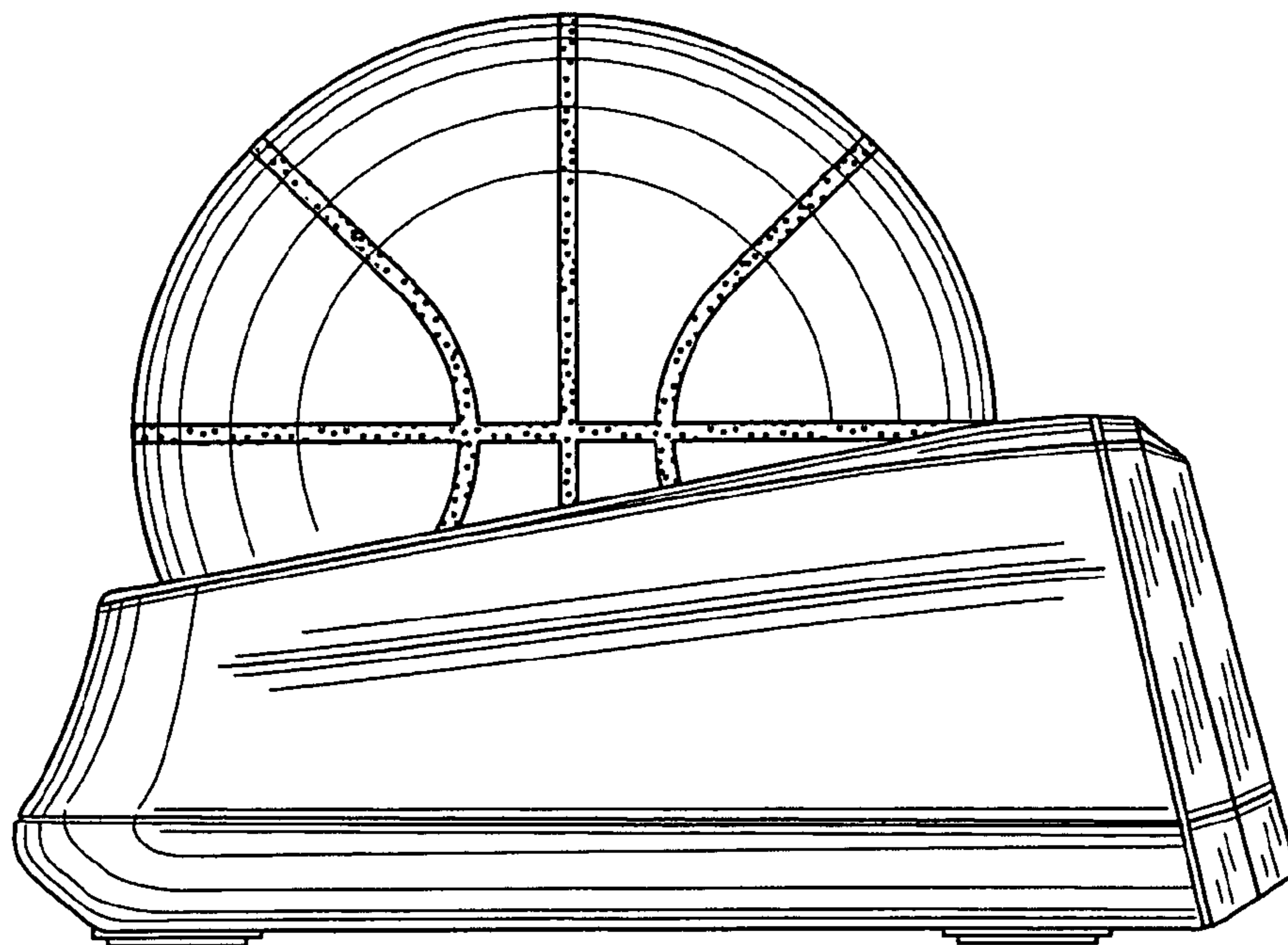


FIG. 5

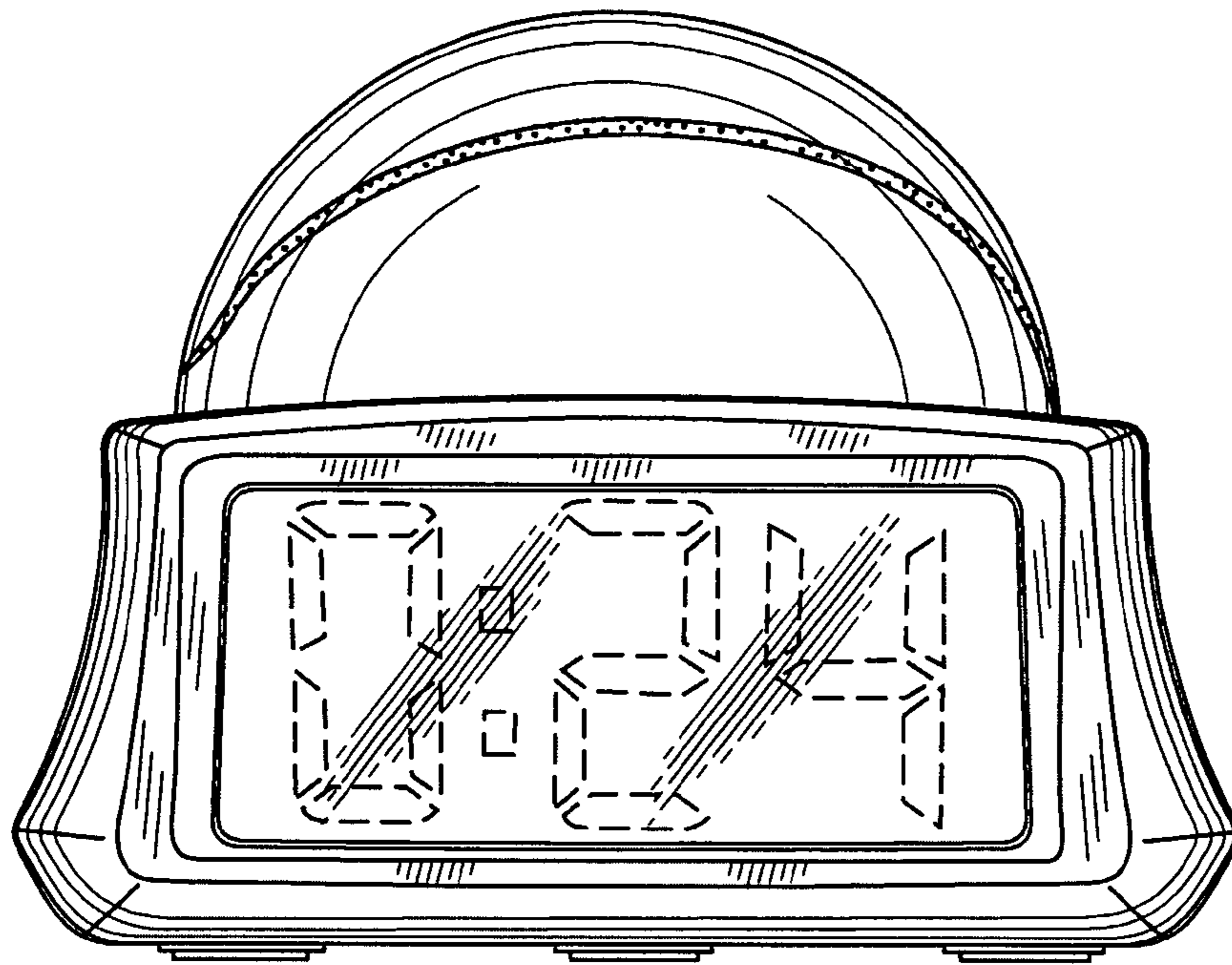


FIG. 6

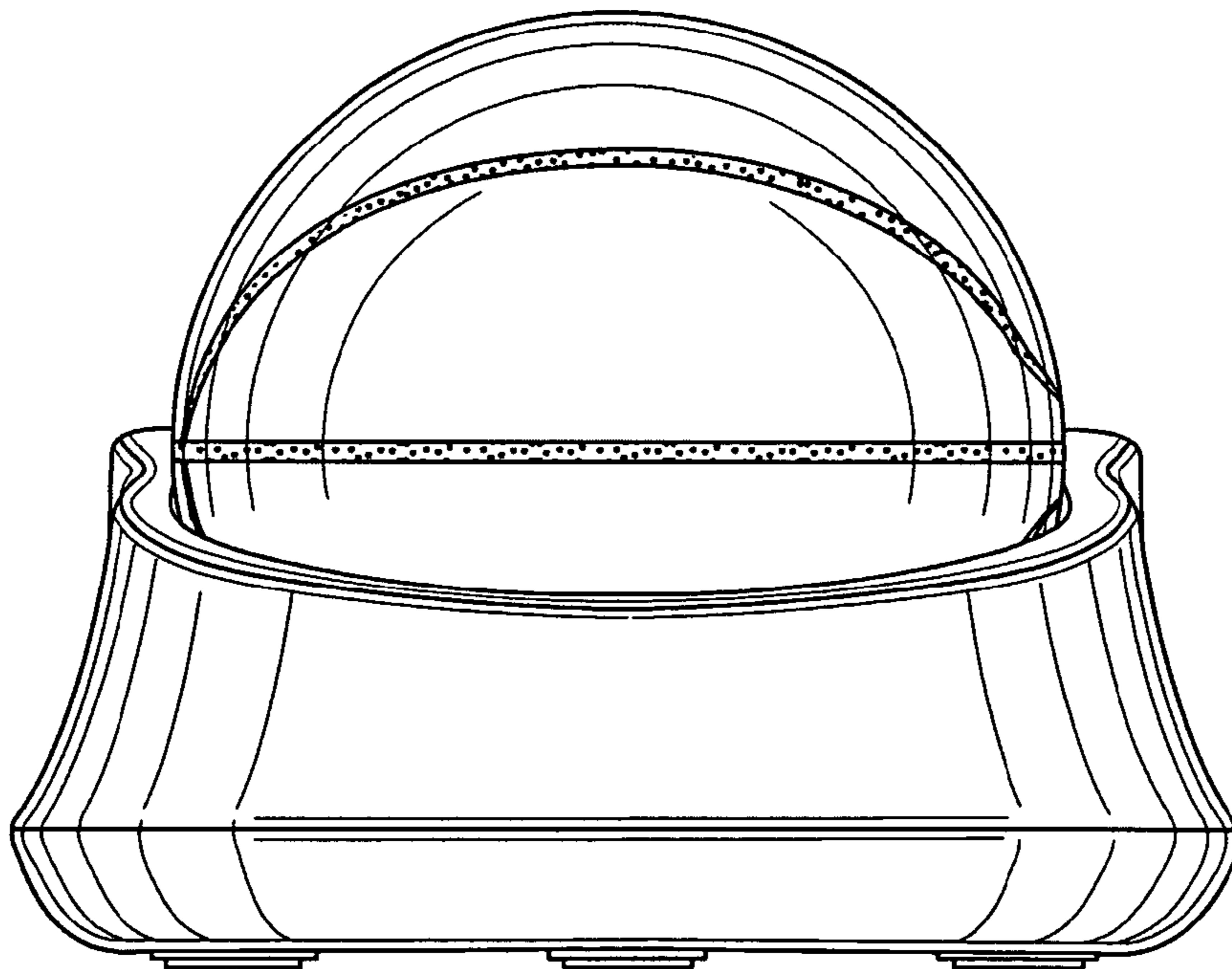


FIG. 7