



US00D588469S

(12) **United States Design Patent**  
**Pininfarina**

(10) **Patent No.:** **US D588,469 S**  
(45) **Date of Patent:** **\*\* Mar. 17, 2009**

(54) **PERFUME BOTTLE**

D565,963 S \* 4/2008 Slimane ..... D9/687

(75) Inventor: **Paolo Pininfarina**, Cambiano Turin (IT)

FOREIGN PATENT DOCUMENTS

(73) Assignee: **Guerlain Societe Anonyme**, Paris (FR)

EM 000213970-0001 \* 10/2004

EM 000576111-0001 \* 9/2006

EM 000750542-0001 \* 7/2007

(\*\*) Term: **14 Years**

\* cited by examiner

(21) Appl. No.: **29/304,225**

*Primary Examiner*—Catherine Tuttle

(22) Filed: **Feb. 27, 2008**

(74) *Attorney, Agent, or Firm*—Stites & Harbison PLLC;  
Douglas E. Jackson

(51) **LOC (9) Cl.** ..... **09-01**

(57) **CLAIM**

(52) **U.S. Cl.** ..... **D9/687**

(58) **Field of Classification Search** ..... D9/682–694,  
D9/516–575, 434–436, 447–450; 215/379,  
215/382–384; 220/376, 377, 602, 660, 662,  
220/665, 669; 222/401, 402.1–402.25  
See application file for complete search history.

The ornamental design for a perfume bottle, as shown and described.

**DESCRIPTION**

(56) **References Cited**

U.S. PATENT DOCUMENTS

- D67,625 S \* 6/1925 Terry ..... D9/544
- D235,735 S \* 7/1975 Dinand ..... D9/544
- D244,579 S \* 6/1977 Dinand ..... D9/563
- D325,523 S \* 4/1992 Restrepo ..... D9/529
- D398,241 S \* 9/1998 Krebs ..... D9/529
- D453,106 S \* 1/2002 Peltrault ..... D9/687
- D459,209 S \* 6/2002 Yamamoto ..... D9/687
- D484,790 S \* 1/2004 Sgariboldi ..... D9/694
- D490,299 S \* 5/2004 Byron ..... D9/693
- D531,049 S \* 10/2006 De France ..... D9/686

FIG. 1 is front view of a perfume bottle according to the present invention.

FIG. 2 is a top view thereof.

FIG. 3 is a right side view thereof.

FIG. 4 is a left side view thereof.

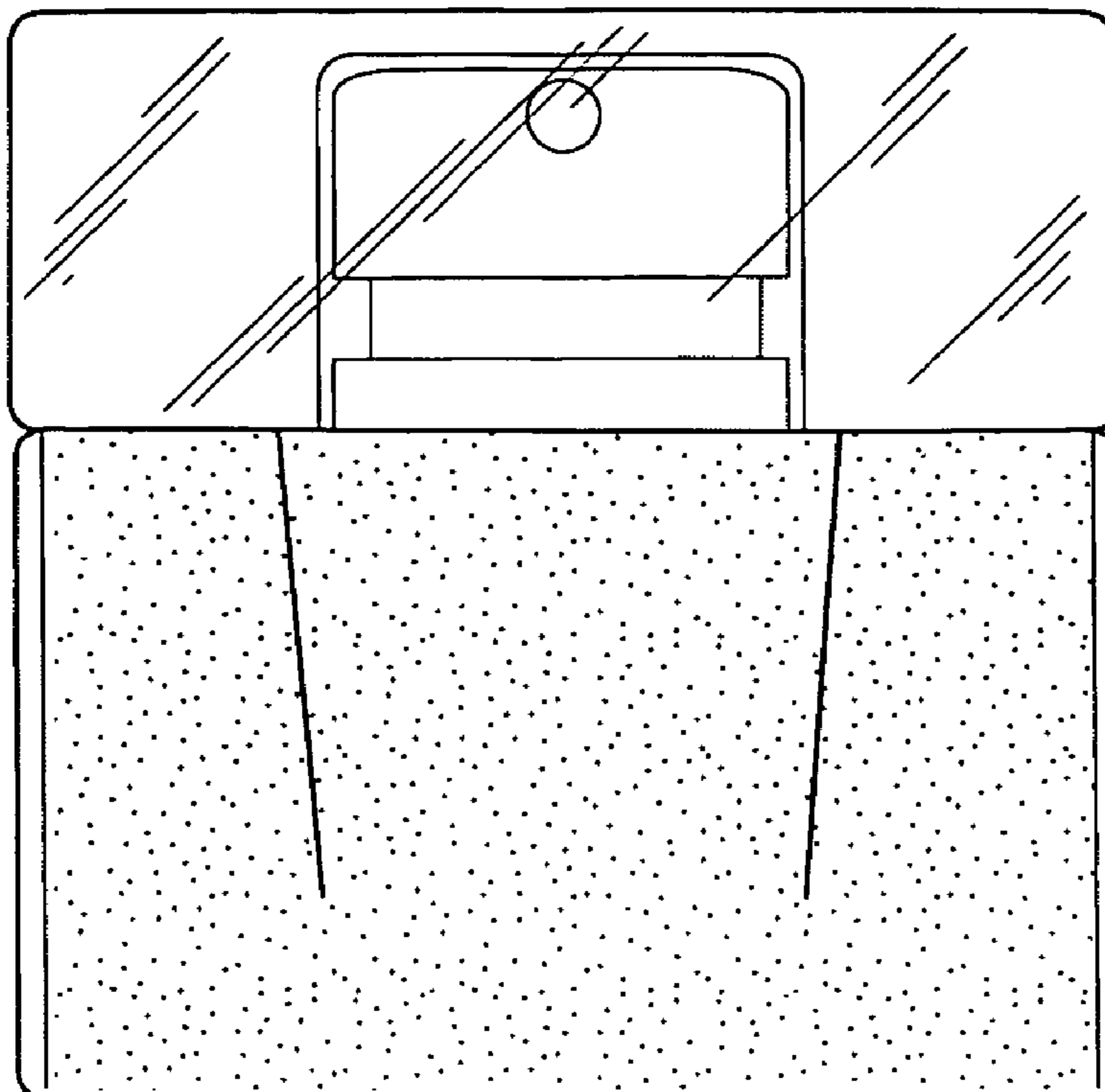
FIG. 5 is rear view thereof; and,

FIG. 6 is a perspective front, top and left side view thereof.

The stippled surface shadings of FIGS. 1, 3–4 and 6 are provided to show a non-transparent surface.

The broken lines are included for the purpose of illustrating interior structures that form no part of the claimed design.

**1 Claim, 2 Drawing Sheets**



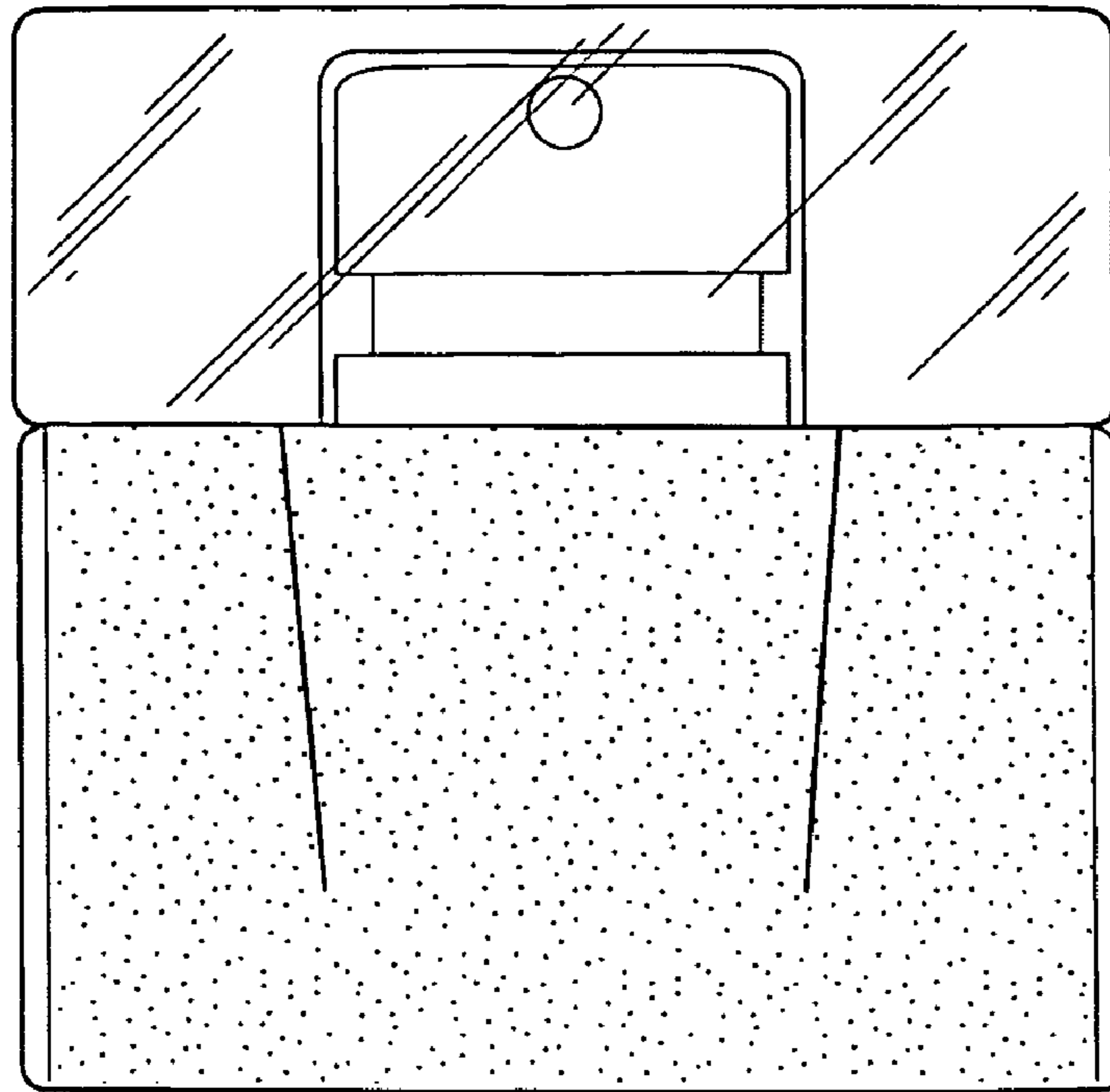


FIG. 1

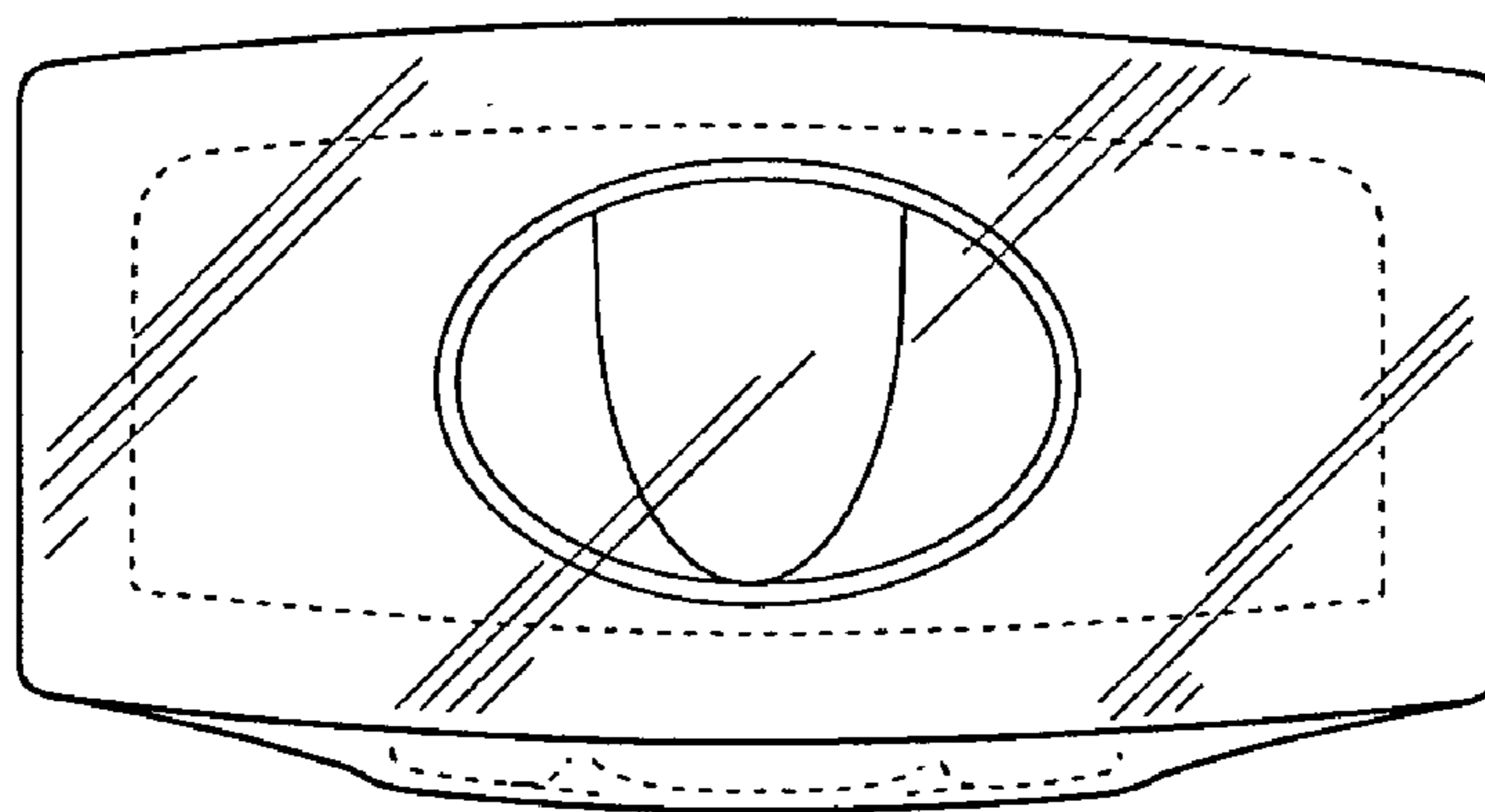


FIG. 2

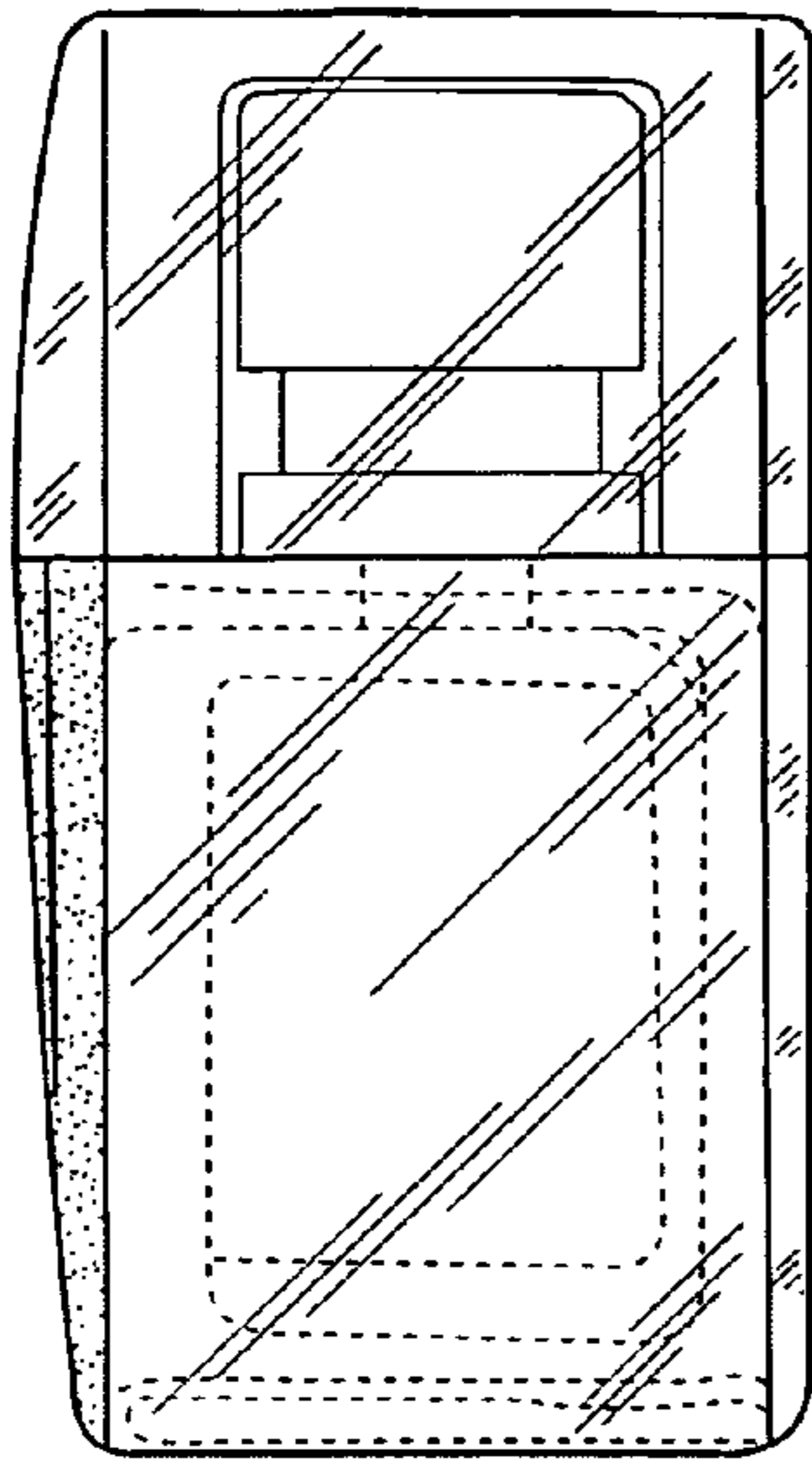


FIG. 3

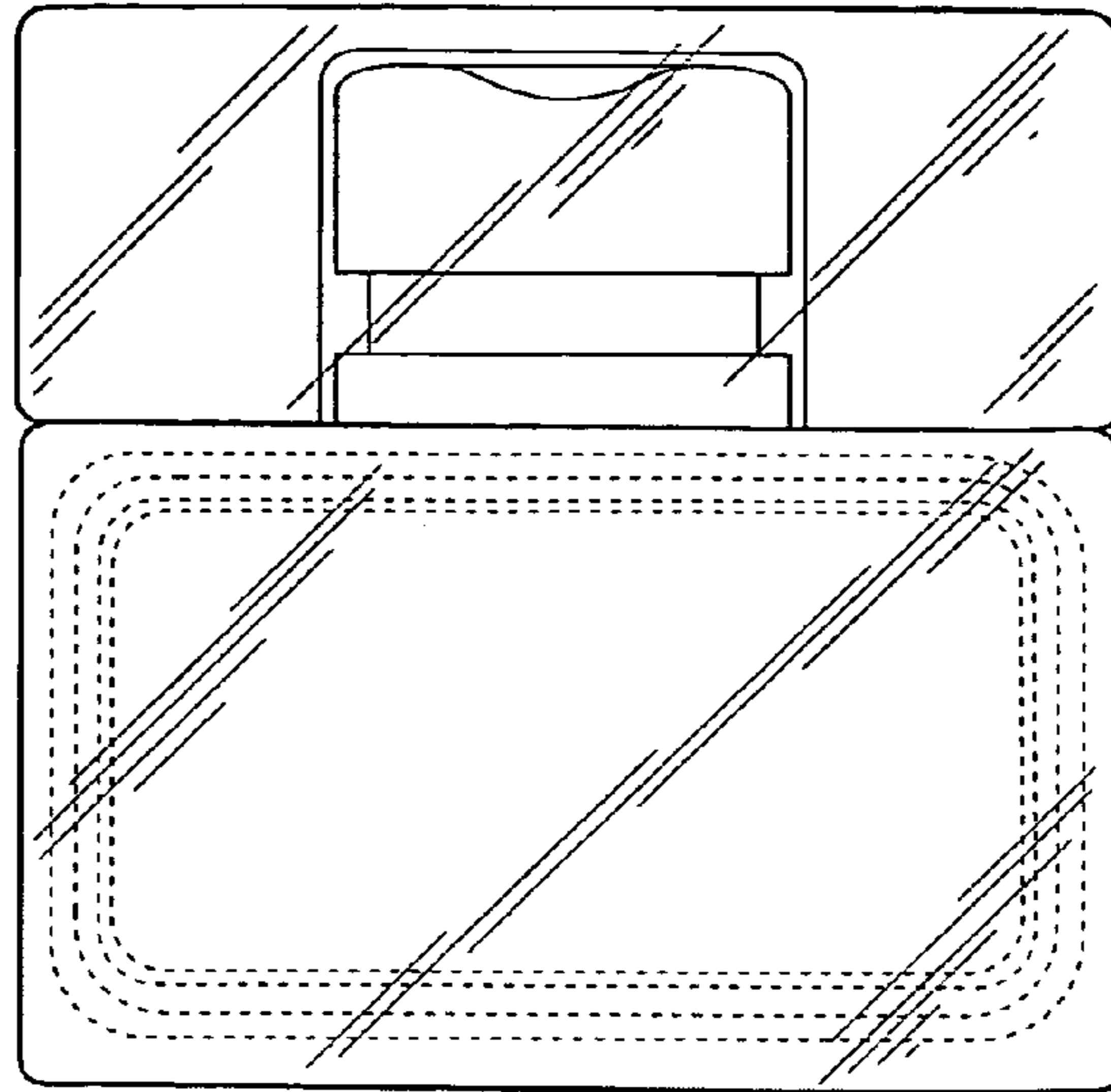


FIG. 5

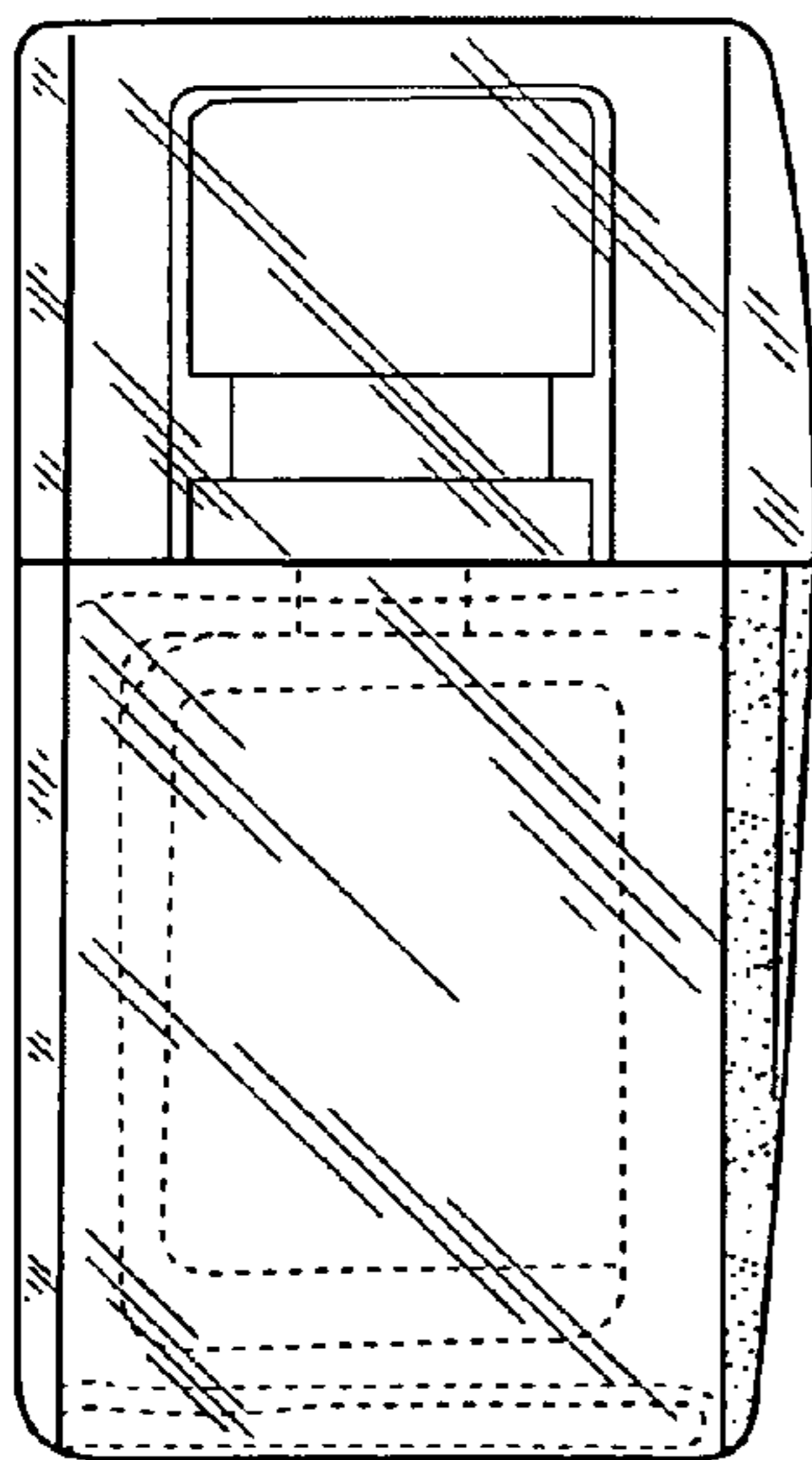


FIG. 4

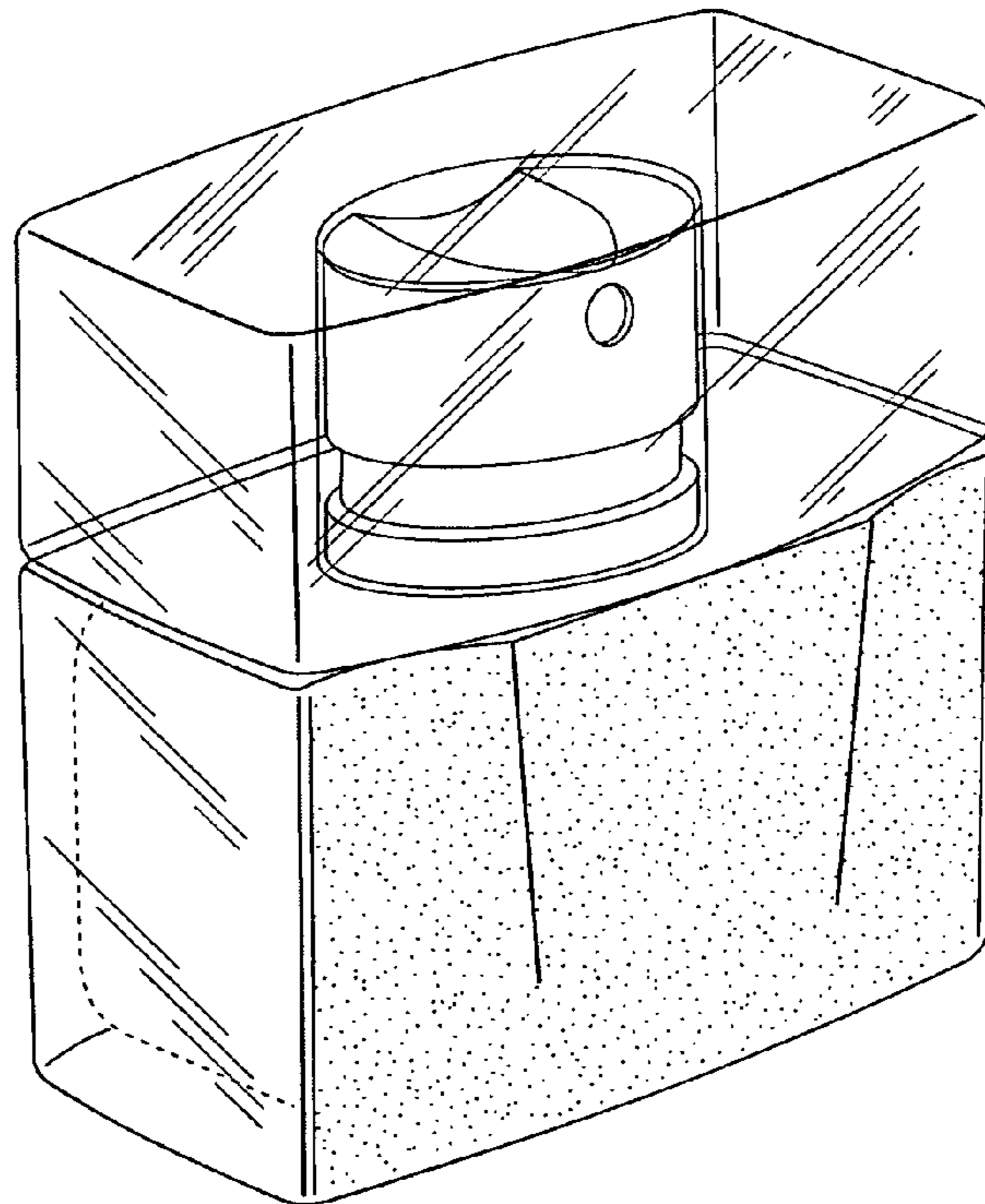


FIG. 6