



US00D588465S

(12) **United States Design Patent**  
**Abrams et al.**

(10) **Patent No.:** **US D588,465 S**  
(45) **Date of Patent:** **\*\* Mar. 17, 2009**

(54) **WIDE NECK BOTTLE**

(75) Inventors: **Stacey Y. Abrams**, Atlanta, GA (US);  
**Lara O'Connor Hodgson**, Atlanta, GA  
(US); **Che Watkins**, Atlanta, GA (US)

(73) Assignee: **Nourish, Inc.**, Atlanta, GA (US)

(\*\*) Term: **14 Years**

(21) Appl. No.: **29/294,069**

(22) Filed: **Dec. 20, 2007**

(51) **LOC (9) Cl.** ..... **09-01**

(52) **U.S. Cl.** ..... **D9/558; D9/547**

(58) **Field of Classification Search** ..... D9/516,  
D9/530, 537, 541, 549, 555, 554, 558, 434,  
D9/435, 452-454; 215/381-385  
See application file for complete search history.

(56) **References Cited**

**U.S. PATENT DOCUMENTS**

D270,240 S *	8/1983	Ewry	.....	D9/560
D311,681 S *	10/1990	Aggarwal	.....	D9/547
D335,259 S *	5/1993	Waine	.....	D9/574
D424,449 S *	5/2000	Heydenburg et al.	.....	D9/547
D428,344 S *	7/2000	Preston	.....	D9/558

D449,994 S *	11/2001	Strand et al.	.....	D9/571
D463,983 S *	10/2002	Wendt et al.	.....	D9/558
D525,531 S *	7/2006	Bansal	.....	D9/551

\* cited by examiner

*Primary Examiner*—Stella M Reid

*Assistant Examiner*—Keli L. Hill

(74) *Attorney, Agent, or Firm*—Seyfarth Shaw LLP

(57) **CLAIM**

The ornamental design for a wide neck bottle, as shown and described.

**DESCRIPTION**

FIG. 1 is perspective view of the wide neck bottle;

FIG. 2 is right side view of the wide neck bottle;

FIG. 3 is front view (back being identical) of the wide neck bottle;

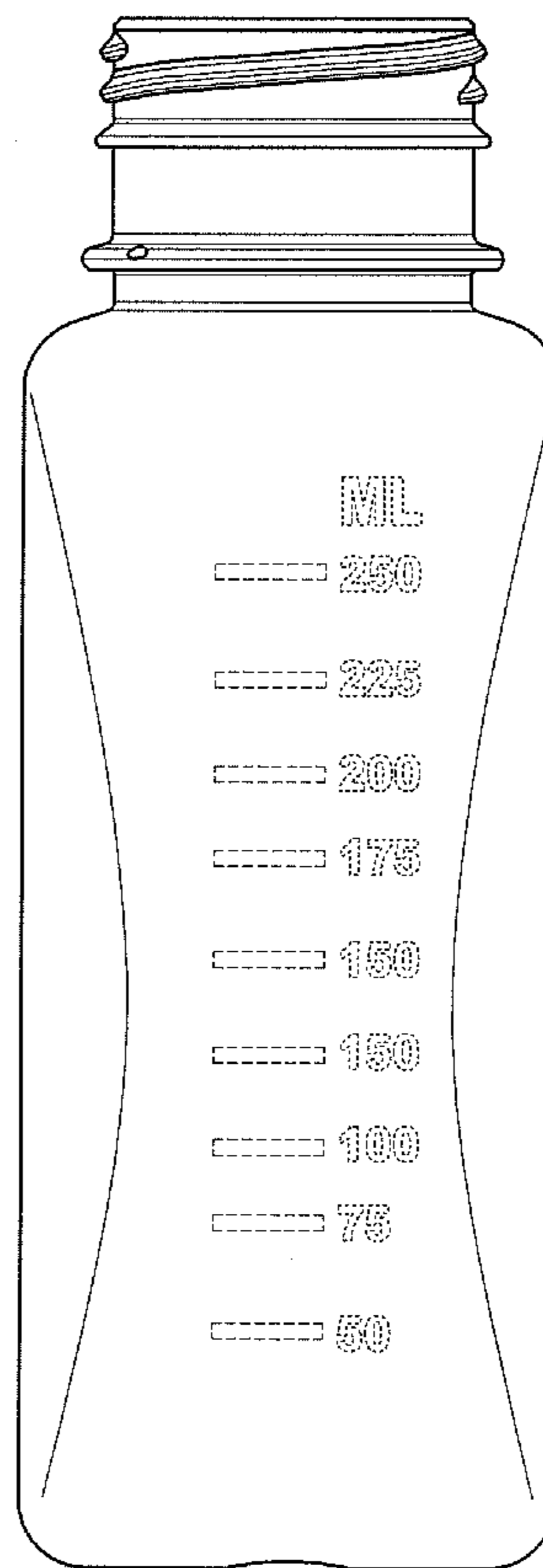
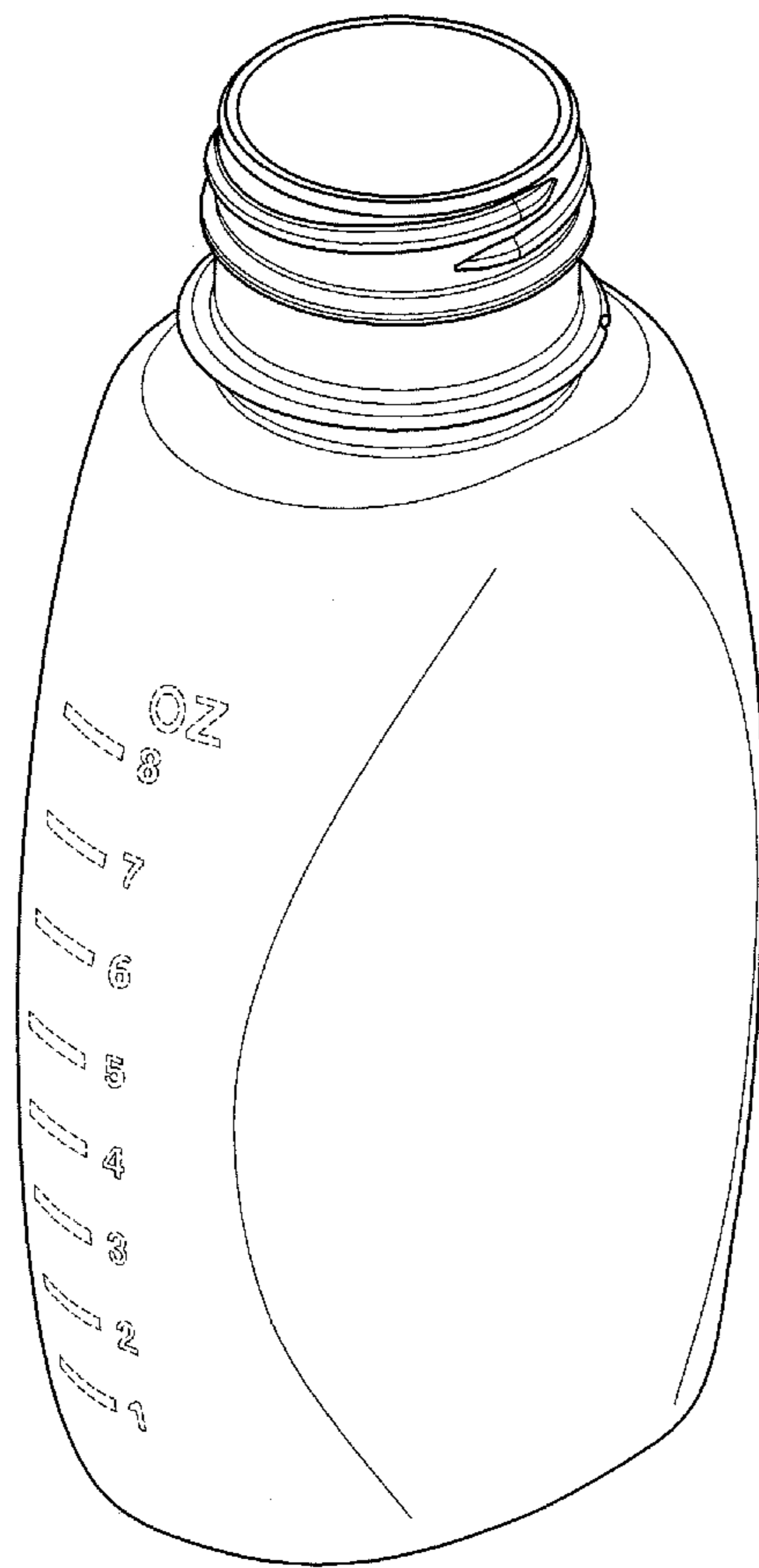
FIG. 4 is left side view of the wide neck bottle;

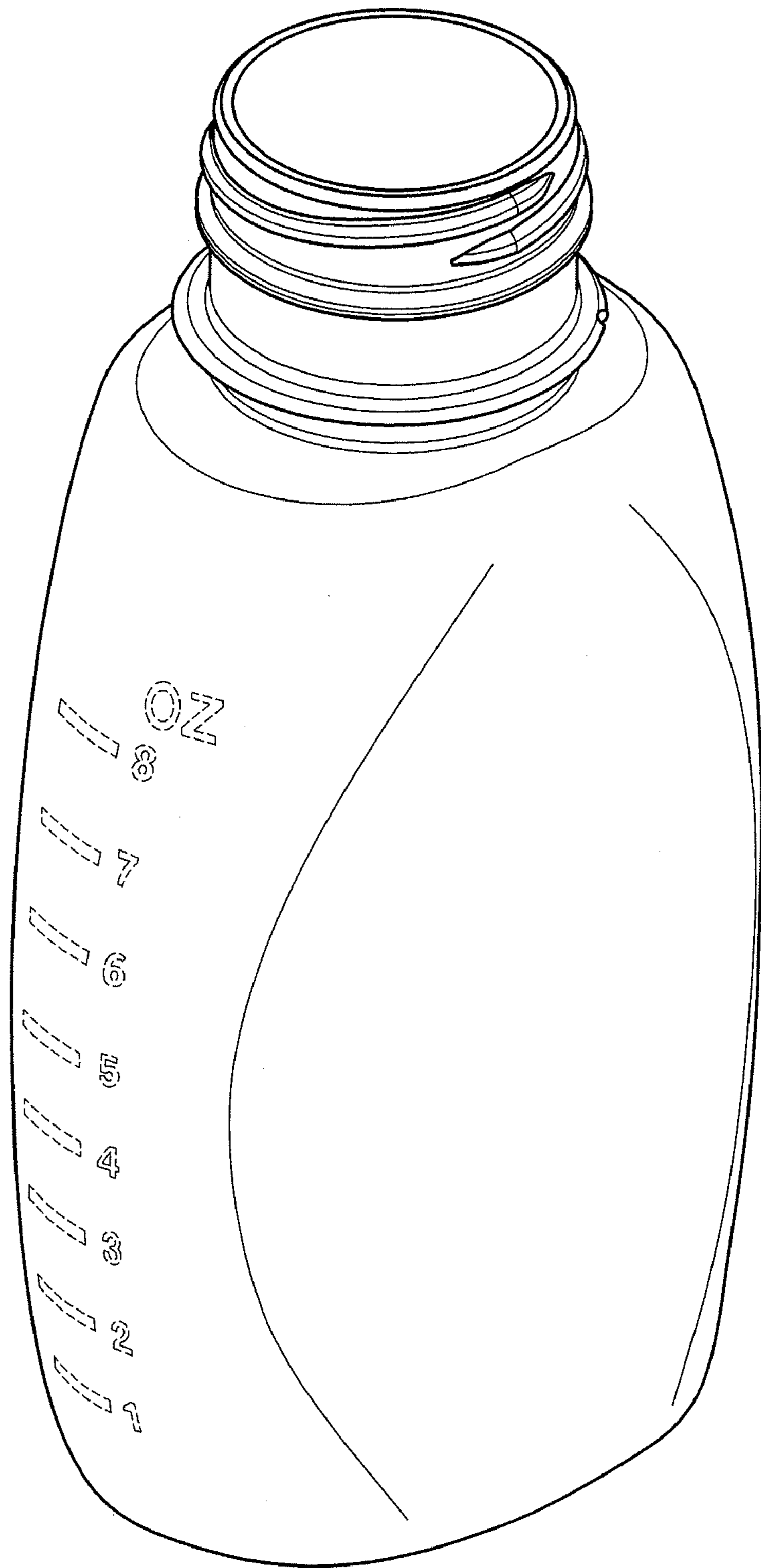
FIG. 5 is top view of the wide neck bottle; and,

FIG. 6 is bottom view of the wide neck bottle.

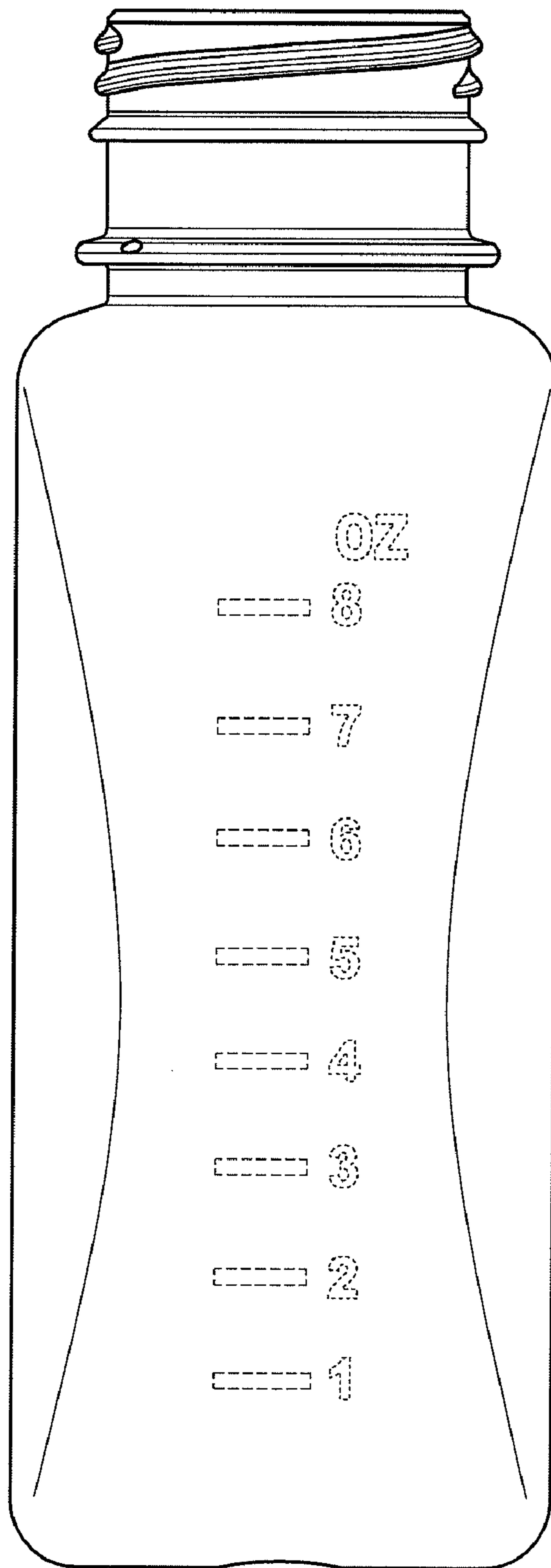
The broken lines represent the portions of the design that form no part of the claim.

**1 Claim, 5 Drawing Sheets**

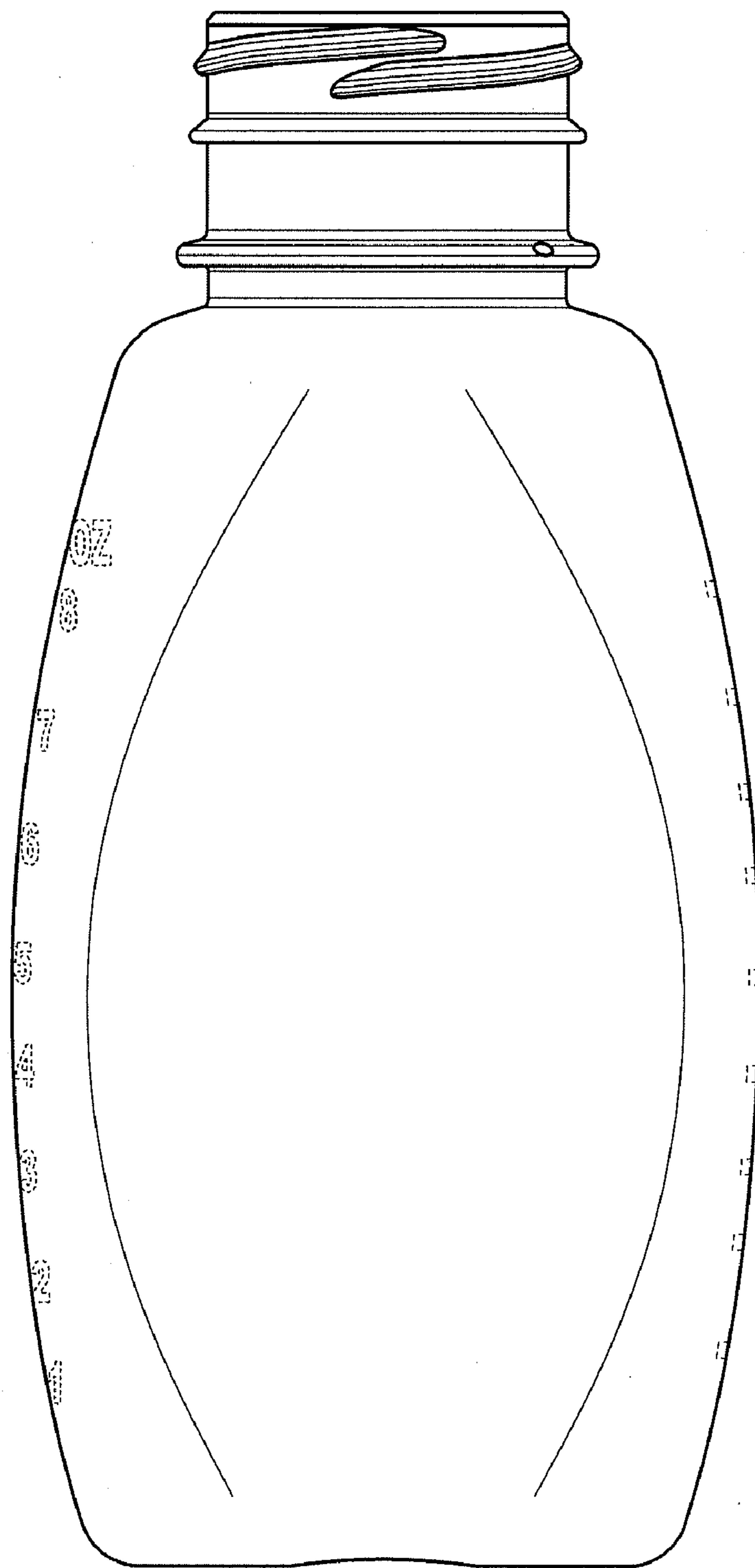




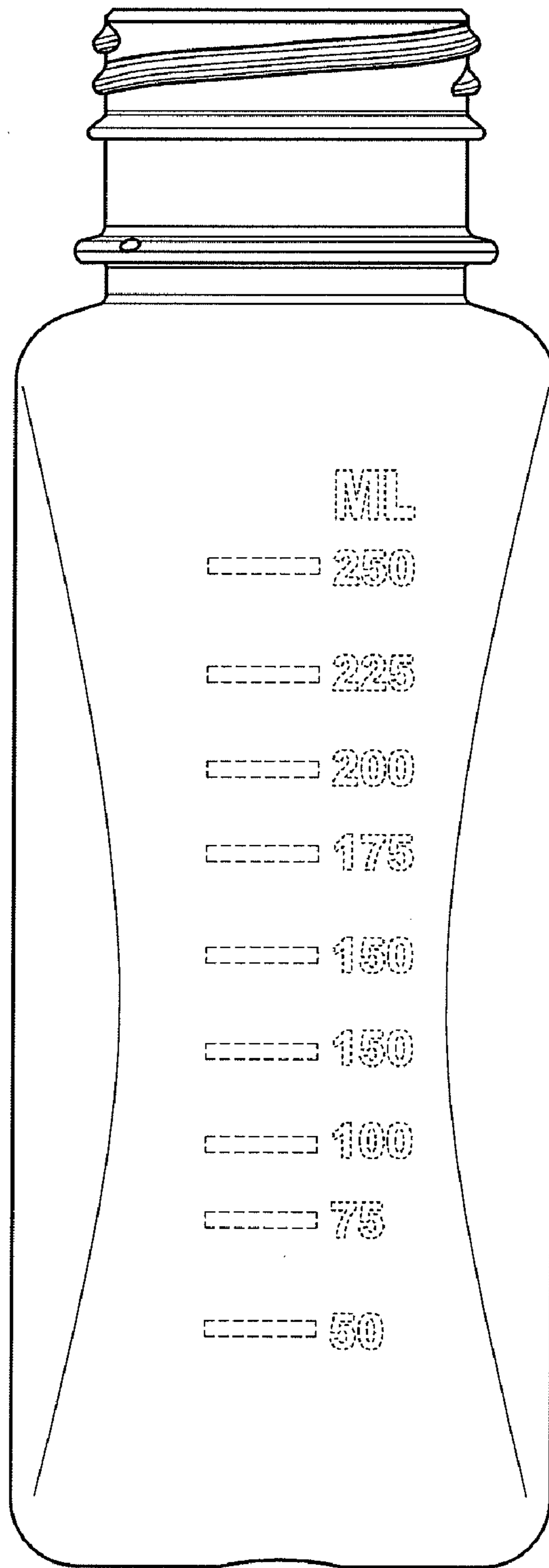
**FIGURE 1**



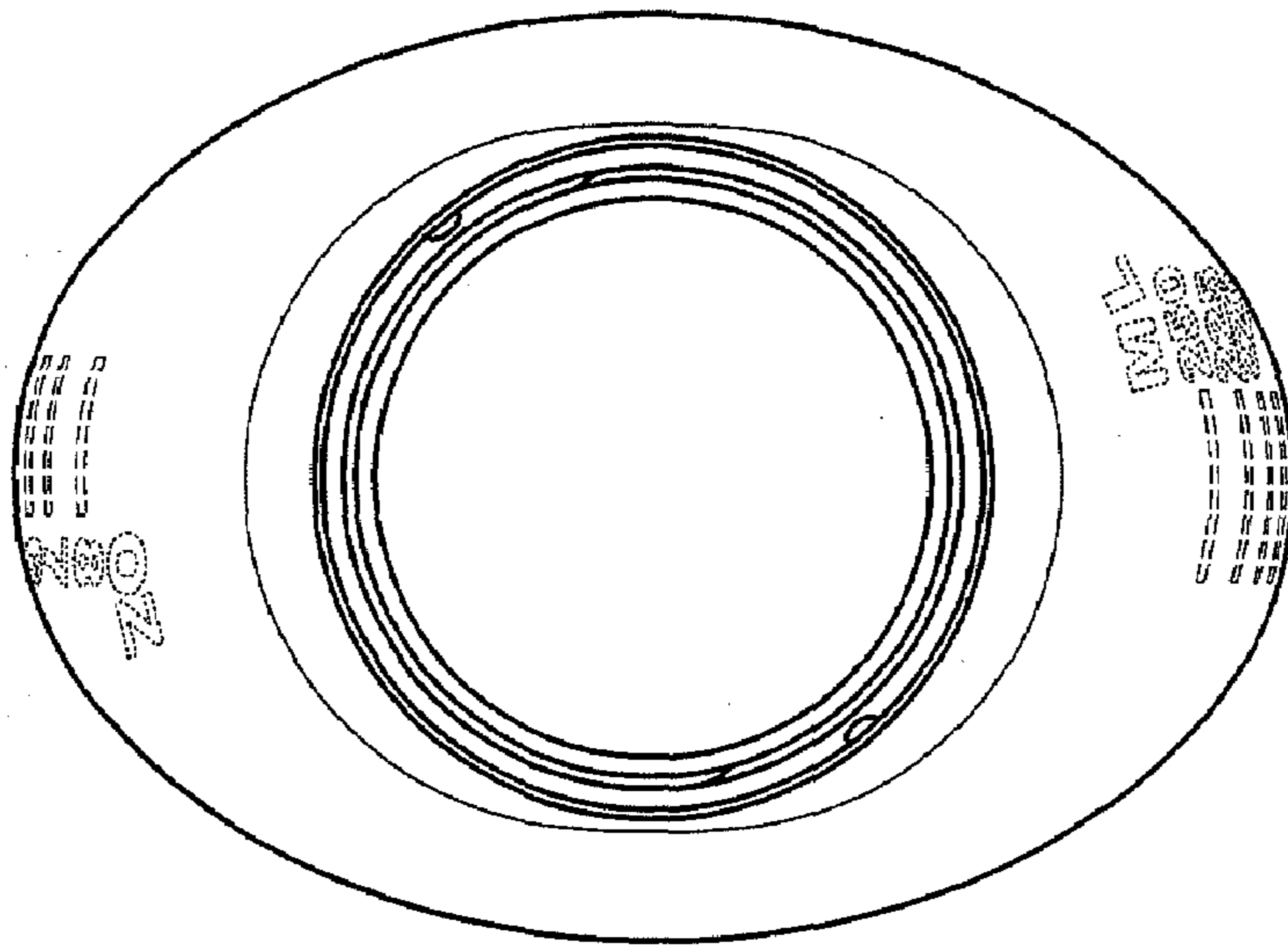
**FIGURE 2**



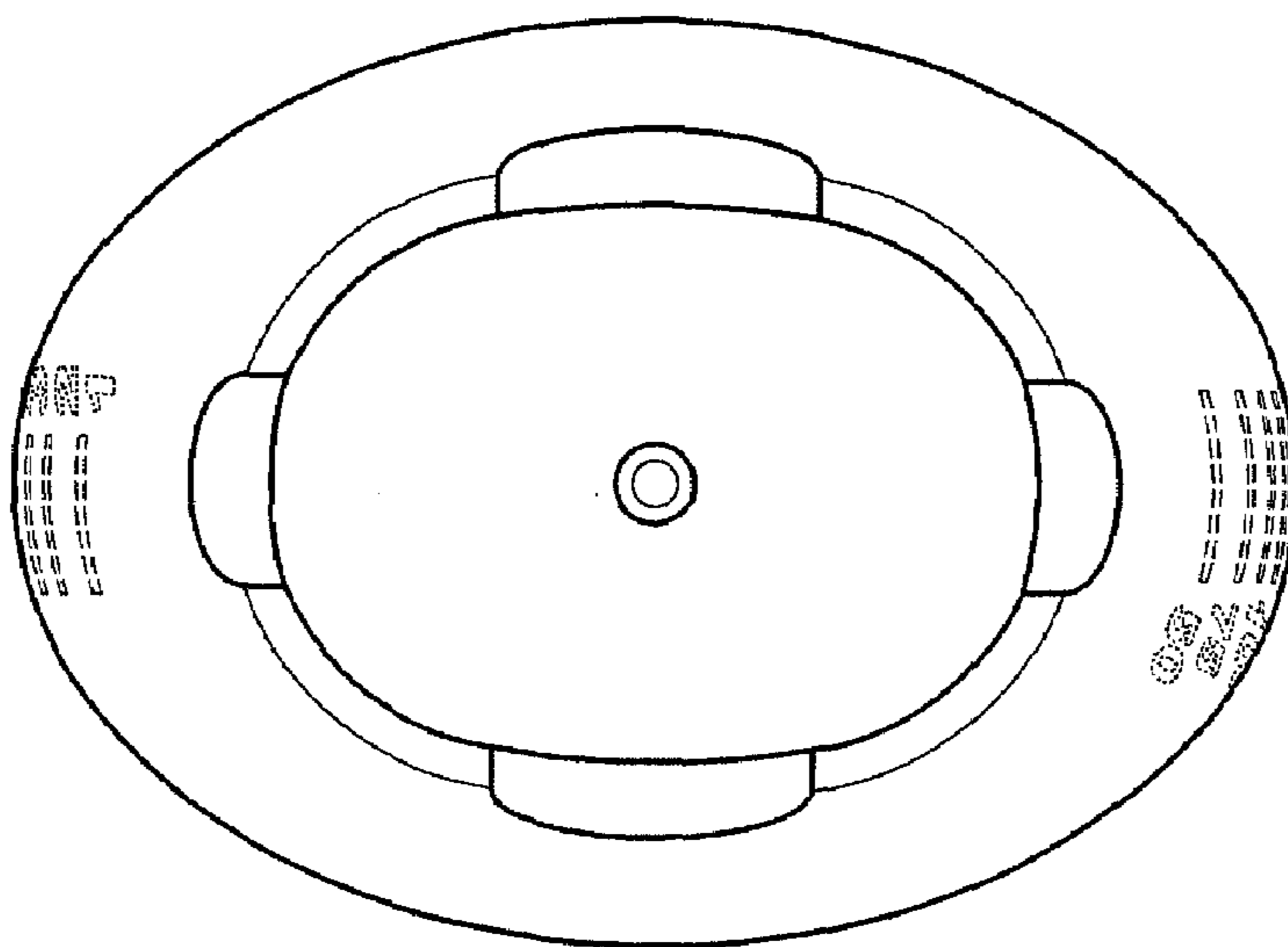
**FIGURE 3**



**FIGURE 4**



**FIGURE 5**



**FIGURE 6**