



US00D588463S

(12) **United States Design Patent**  
**Forget**

(10) **Patent No.:** **US D588,463 S**  
(45) **Date of Patent:** **\*\* Mar. 17, 2009**

(54) **BOTTLE**

(75) Inventor: **Gerald Forget, Mercier (CA)**

(73) Assignee: **Industries Lassonde, Inc., Rougemont (Quebec) (CA)**

(\*\*) Term: **14 Years**

(21) Appl. No.: **29/213,531**

(22) Filed: **Sep. 17, 2004**

(30) **Foreign Application Priority Data**

Mar. 24, 2004 (CA) ..... 106315

(51) **LOC (9) Cl.** ..... **09-01**

(52) **U.S. Cl.** ..... **D9/542; D9/567; D9/560; D9/571**

(58) **Field of Classification Search** ..... D9/516, D9/530, 537, 538, 541-543, 560, 569-571, D9/574, 575, 156, 559, 567; 215/382-384  
See application file for complete search history.

(56) **References Cited**

**U.S. PATENT DOCUMENTS**

- D186,055 S \* 9/1959 Sterger ..... D9/502
- D233,828 S \* 12/1974 Leary ..... D9/541
- D258,569 S \* 3/1981 Grip ..... D9/529
- D275,455 S \* 9/1984 Glaser ..... D9/560
- D294,679 S \* 3/1988 Griesing et al. .... D9/520
- D387,671 S \* 12/1997 Panella ..... D9/538

- D402,896 S \* 12/1998 Conrad ..... D9/559
- D413,265 S \* 8/1999 Hestehave et al. .... D9/541
- D423,935 S \* 5/2000 Frazer ..... D9/520
- D425,793 S \* 5/2000 Walker ..... D9/503
- D446,729 S \* 8/2001 Renella et al. .... D9/559
- D486,739 S \* 2/2004 Taylor et al. .... D9/530
- D488,060 S \* 4/2004 Yourist ..... D9/658
- D544,364 S \* 6/2007 Archeny et al. .... D9/560

**OTHER PUBLICATIONS**

HTTP://www.Tropicana.com, "Tropicana Pure Premium", Oct. 11, 2006.\*

\* cited by examiner

*Primary Examiner*—Stella M Reid

*Assistant Examiner*—Keli L Hill

(74) *Attorney, Agent, or Firm*—Holland & Knight

(57) **CLAIM**

The ornamental design for a bottle, as shown and described.

**DESCRIPTION**

FIG. 1 is a view of one side of the bottle.

FIG. 2 is a view in elevation of the side of the bottle with a 45 degree orientation in relation to drawing number 1; and,

FIG. 3 is a plan view of the bottom of the bottle.

The stipple shading shown in the drawings represents a textured surface. The dash-dash-dash lines shown in the drawings are for illustrative purposes only and form no part of the claimed design.

**1 Claim, 3 Drawing Sheets**

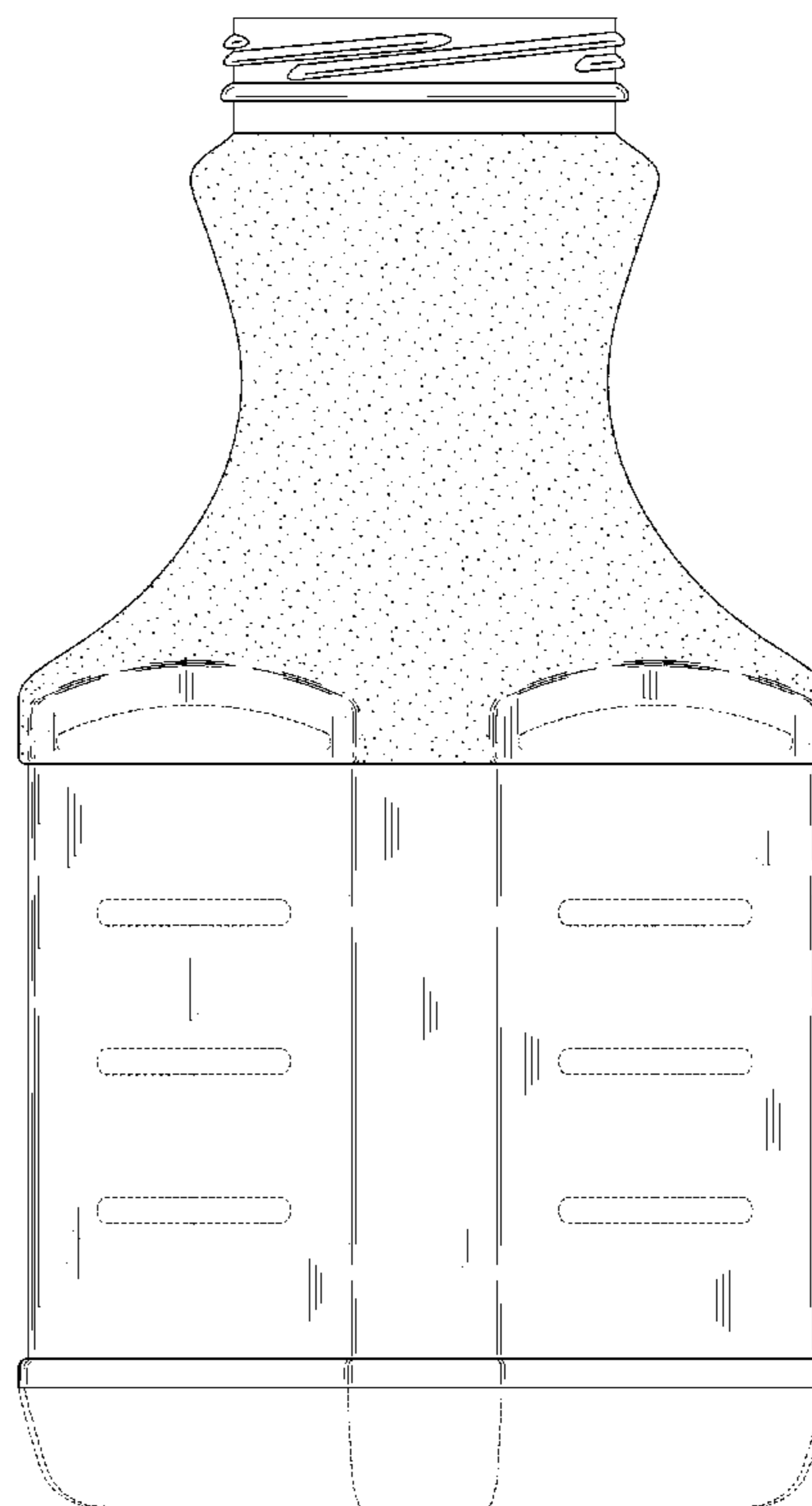
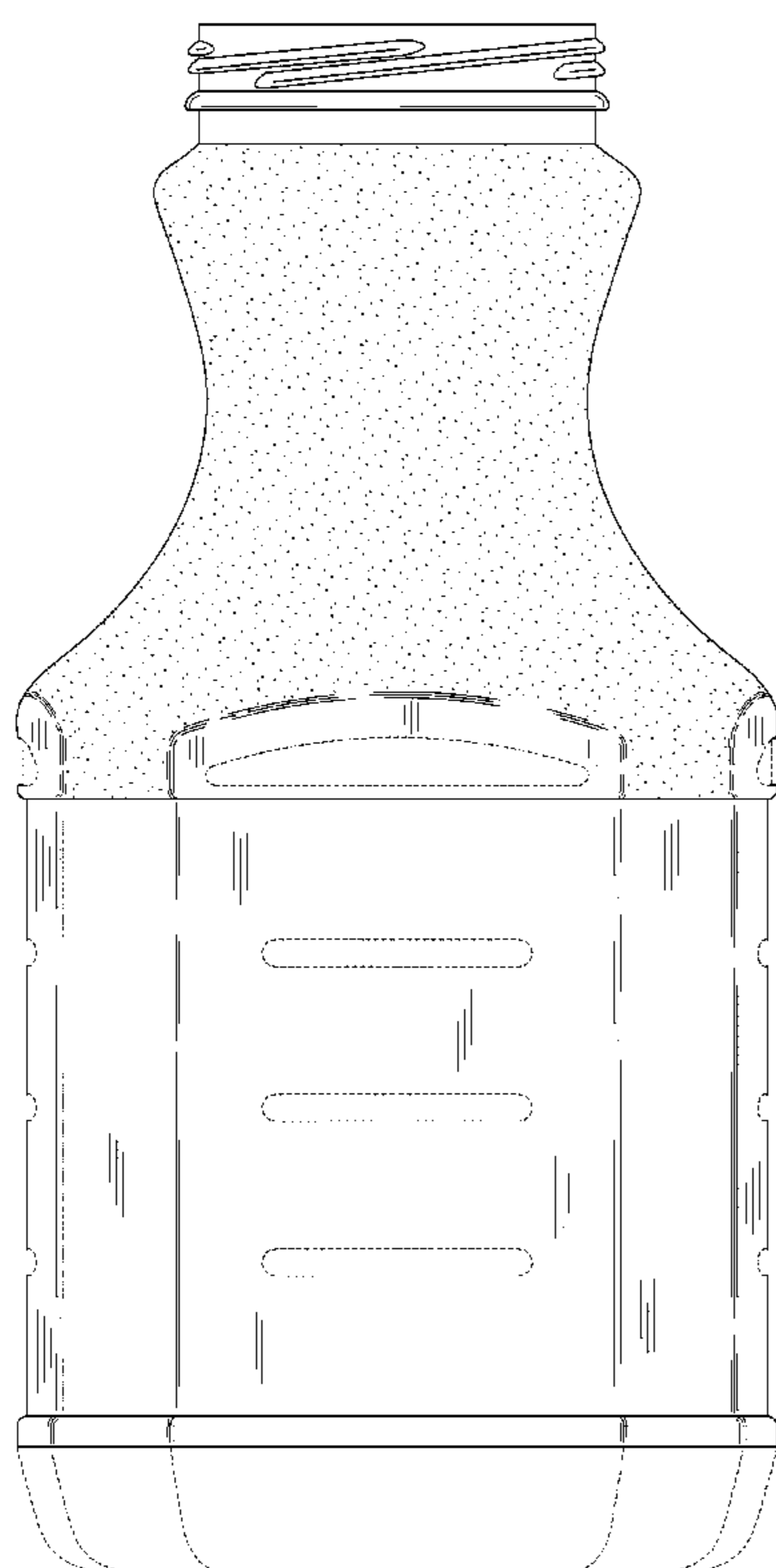
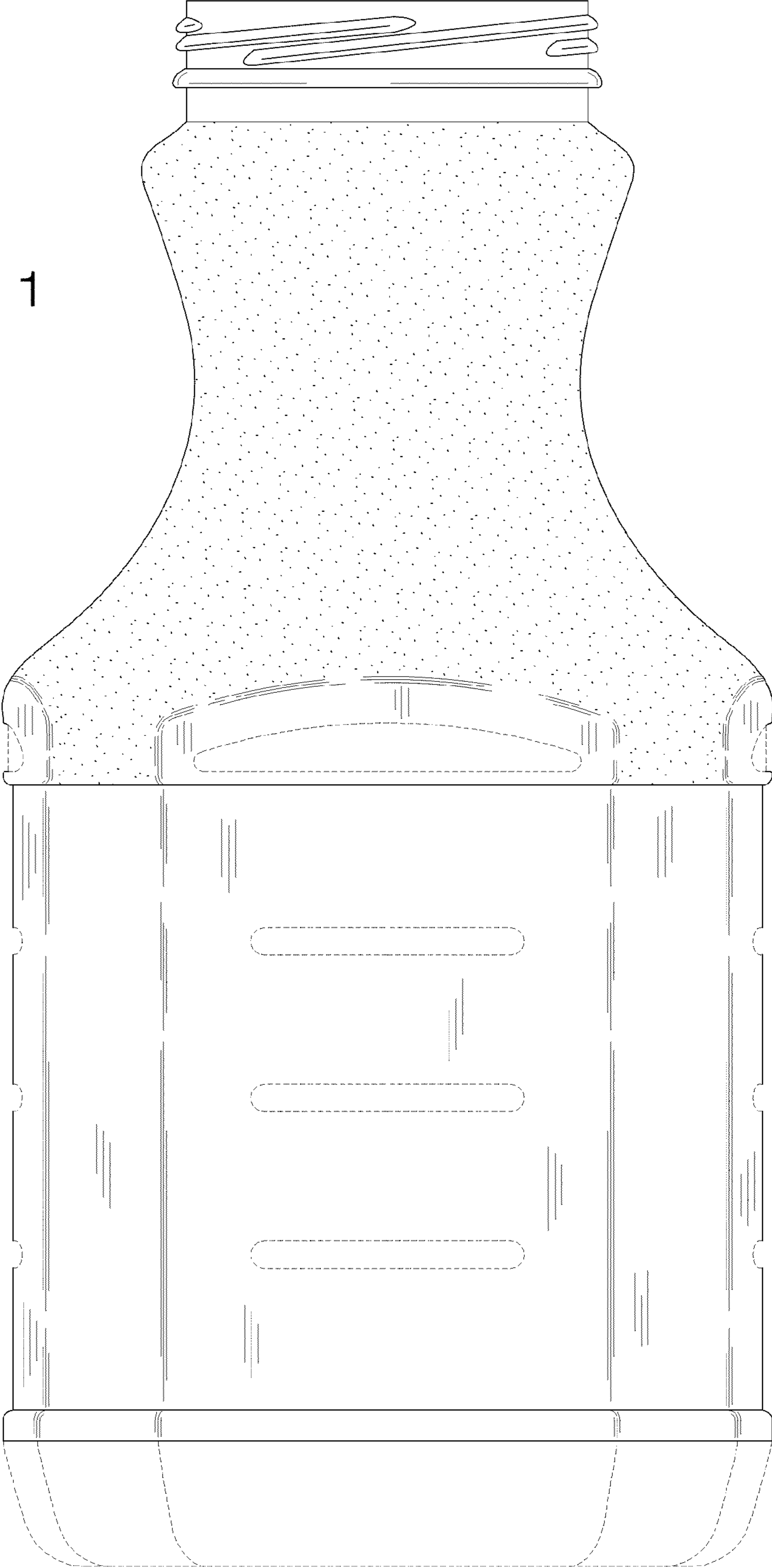
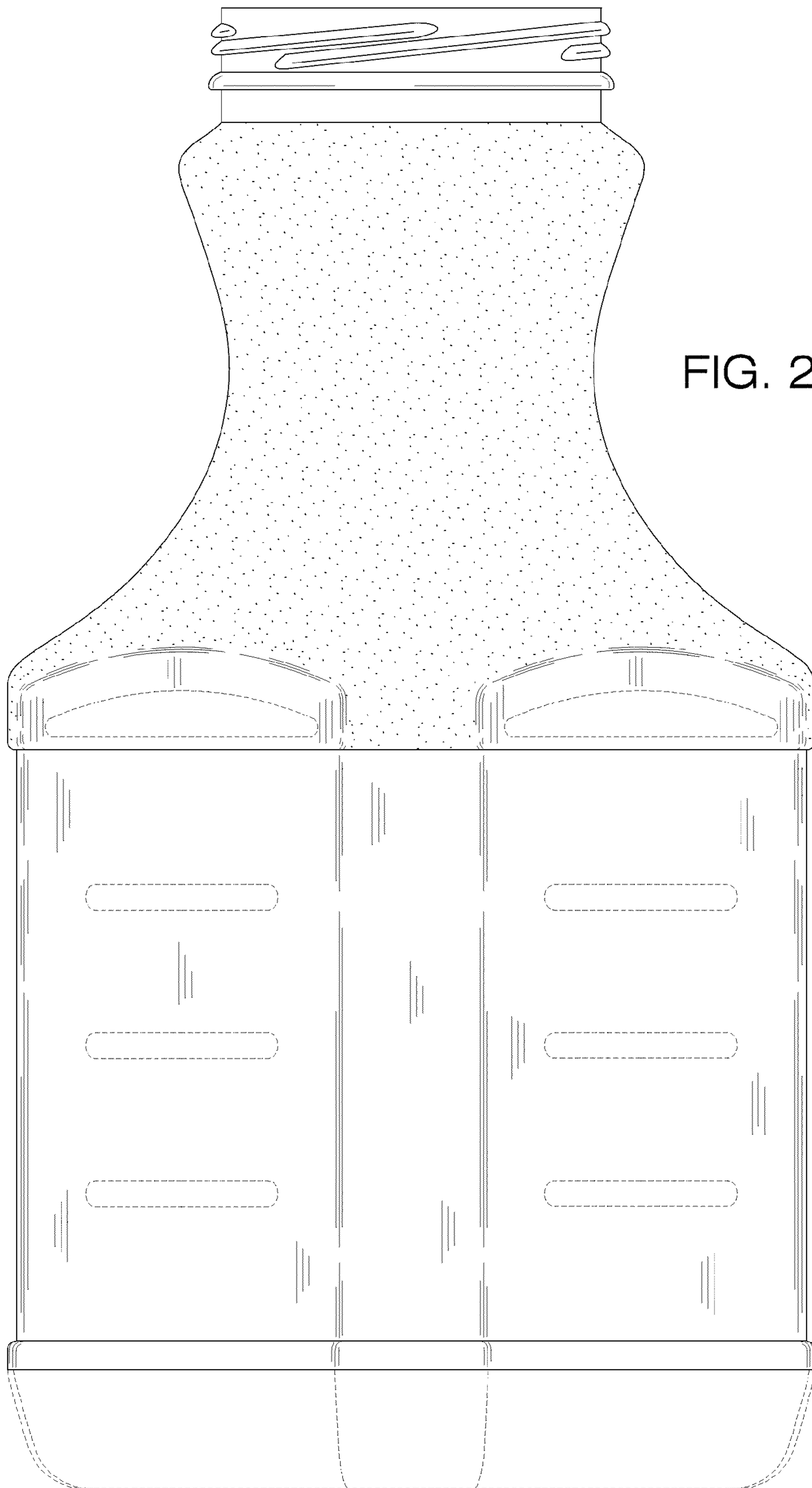


FIG. 1





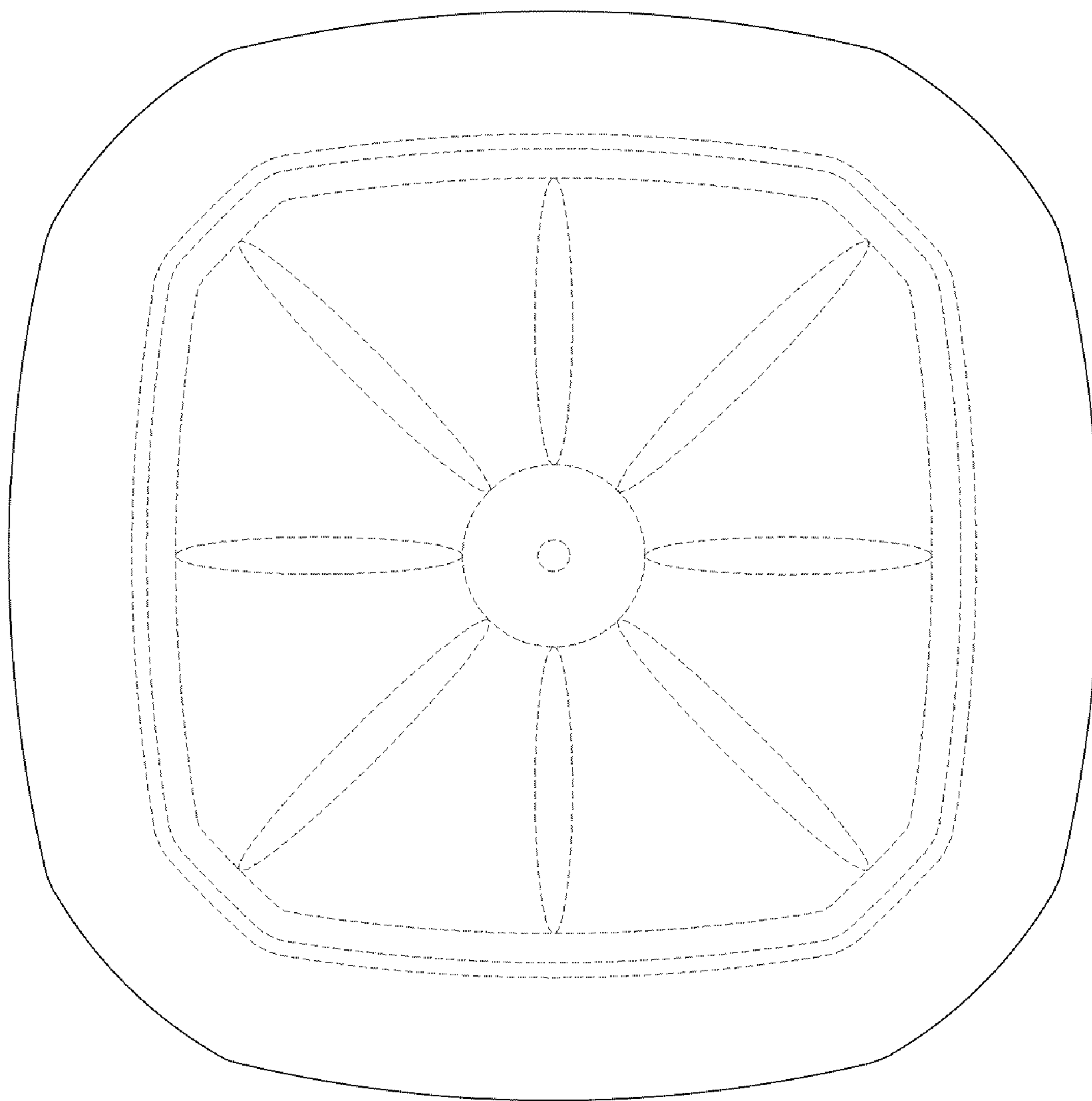


FIG. 3