



US00D588459S

(12) **United States Design Patent**
Davis et al.

(10) **Patent No.:** **US D588,459 S**
(45) **Date of Patent:** **** Mar. 17, 2009**

(54) **BOTTLE**

(75) Inventors: **William John Davis**, Bath (GB); **Ann DeWree**, Outer (BE); **Ann-Gaelle Leray**, Brussels (BE); **Yvo Karel August Jozef Perdieu**s, Herent (BE); **Paul Robert Scott**, Brussels (BE)

(73) Assignee: **The Procter & Gamble Company**, Cincinnati, OH (US)

(**) Term: **14 Years**

(21) Appl. No.: **29/294,361**

(22) Filed: **Jan. 8, 2008**

(51) **LOC (9) Cl.** **09-01**

(52) **U.S. Cl.** **D9/521; D9/526; D9/529; D9/550; D9/551; D9/571; D9/449**

(58) **Field of Classification Search** D9/715, D9/718, 723, 725, 738, 741, 516-517, 521-524, D9/529, 549-551, 449; D28/7; 215/382-384, 215/396, 398

See application file for complete search history.

(56) **References Cited**

U.S. PATENT DOCUMENTS

D200,019	S	*	1/1965	Gould	D9/522
3,231,155	A	*	1/1966	McConnell	222/482
D245,225	S	*	8/1977	Lyons	D9/529
D245,758	S	*	9/1977	Pardo	D9/529
D259,094	S	*	5/1981	Weckman	D9/529 X
D349,058	S	*	7/1994	Farce	D9/523
D382,803	S	*	8/1997	Gavin	D9/526
D392,561	S	*	3/1998	Markey et al.	D9/521
D433,634	S	*	11/2000	Nicolas	D9/521 X

D435,098	S	*	12/2000	Kemmis et al.	D9/529 X
D481,636	S	*	11/2003	Camacho	D9/522
D491,813	S	*	6/2004	Calello	D9/521
D510,029	S	*	9/2005	Marcot	D9/529
D524,162	S	*	7/2006	Harris et al.	D9/550
D527,640	S	*	9/2006	Cummings et al.	D9/529
D538,668	S	*	3/2007	Campbell et al.	D9/529
D546,692	S	*	7/2007	Verburg	D9/526
D555,000	S	*	11/2007	Bunce et al.	D9/529
D562,142	S	*	2/2008	Bunce et al.	D9/529
D581,787	S		12/2008	Davis et al.		
2007/0045354	A1	*	3/2007	Boyd et al.	222/420

* cited by examiner

Primary Examiner—Carol Rademaker

(74) *Attorney, Agent, or Firm*—Armina E. Matthews; Kim William Zerby

(57) **CLAIM**

The ornamental design for a bottle, as shown and described.

DESCRIPTION

FIG. 1 is an isometric view of the bottle, embodying the new design;

FIG. 2 is a front view thereof;

FIG. 3 is a back thereof;

FIG. 4 is a right view thereof;

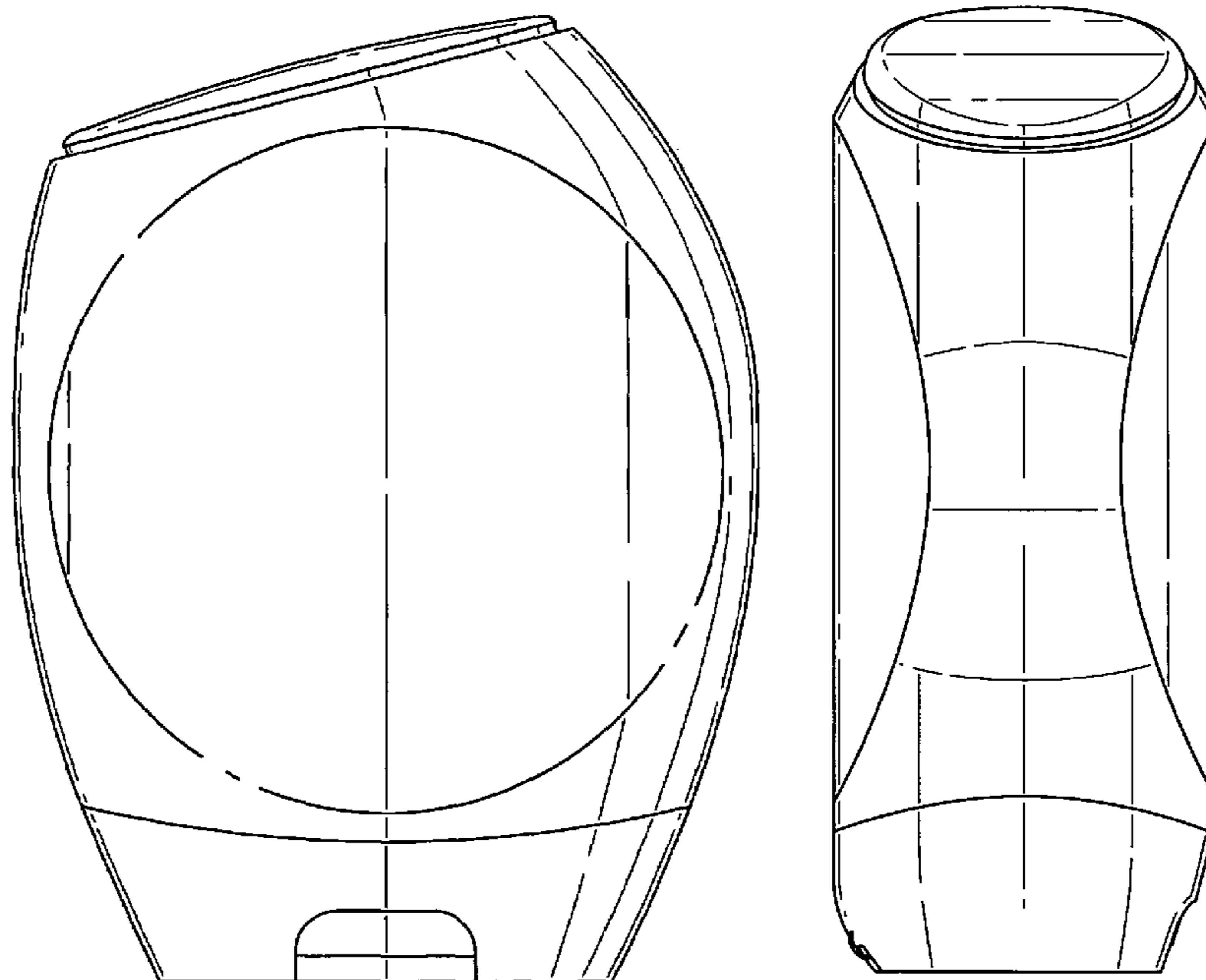
FIG. 5 is a left view thereof;

FIG. 6 is a top view thereof; and,

FIG. 7 is a bottom view thereof.

The top surface of the cap at the bottom end of the bottle is completely flush.

1 Claim, 5 Drawing Sheets



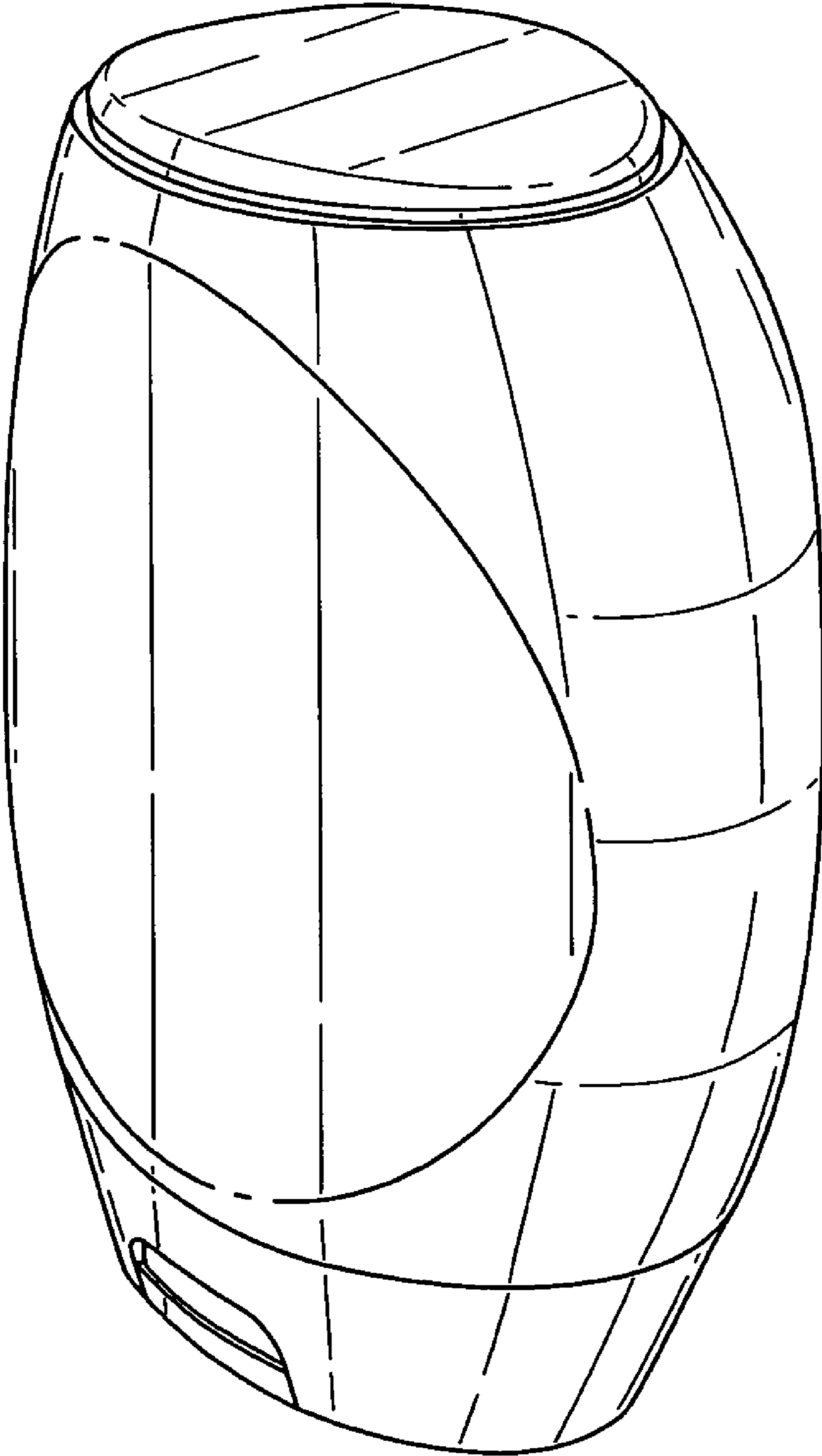


Fig. 1.

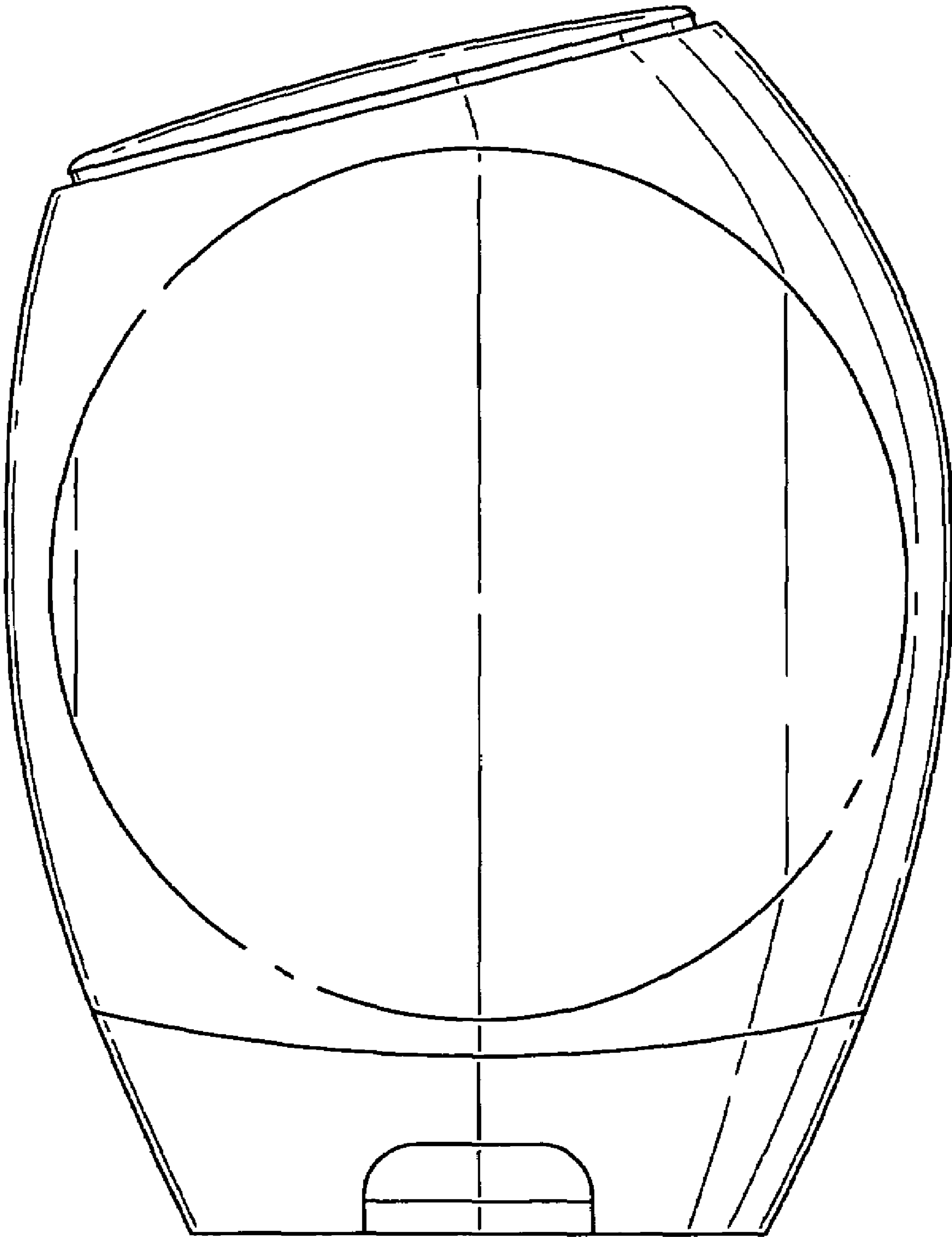


Fig.2.

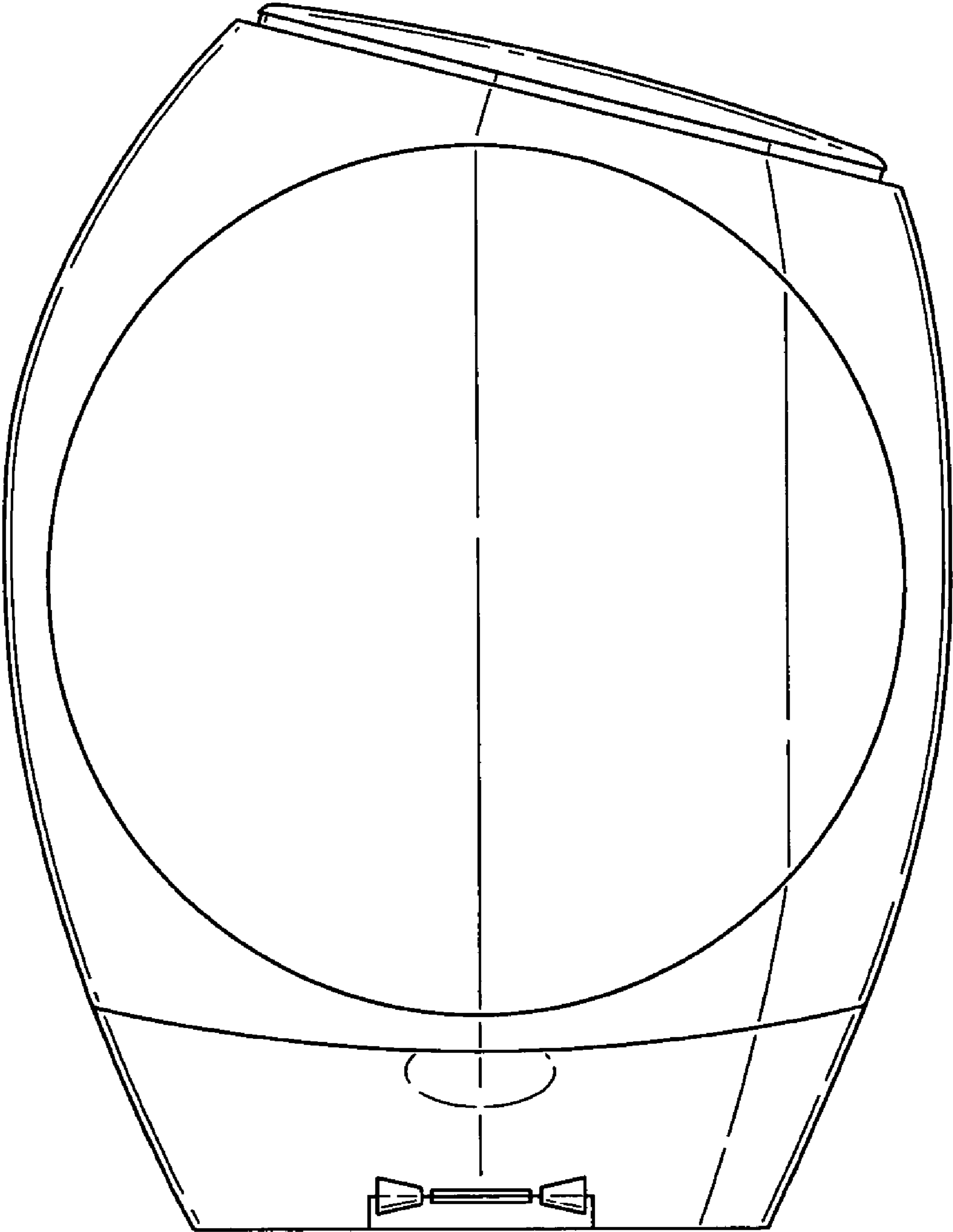


Fig.3.

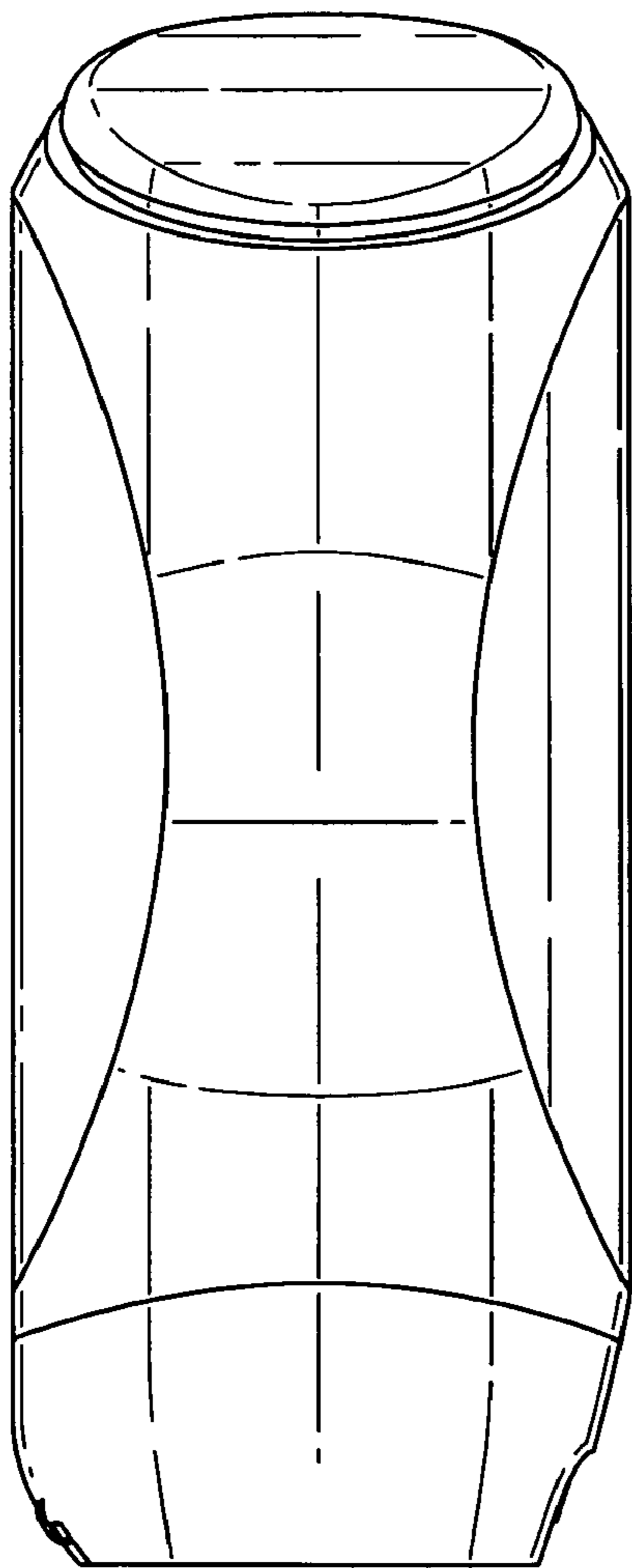


Fig.4.

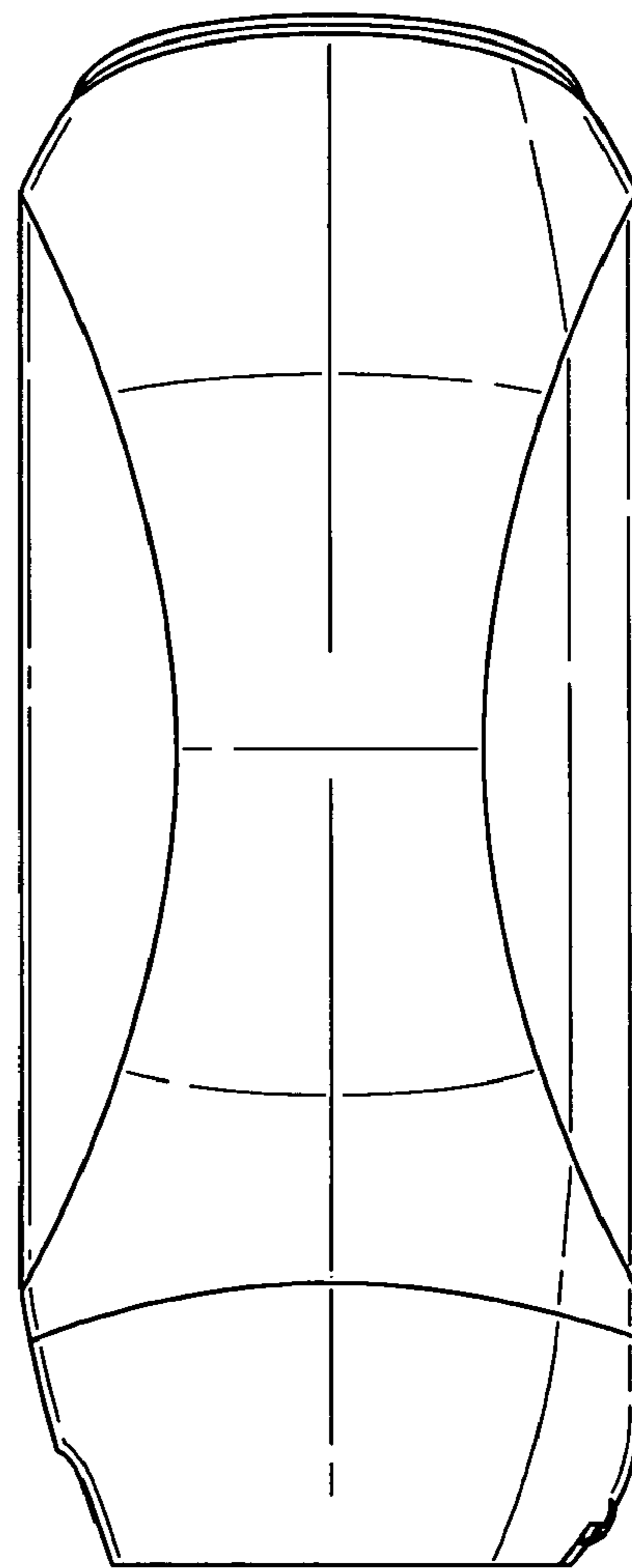


Fig.5.

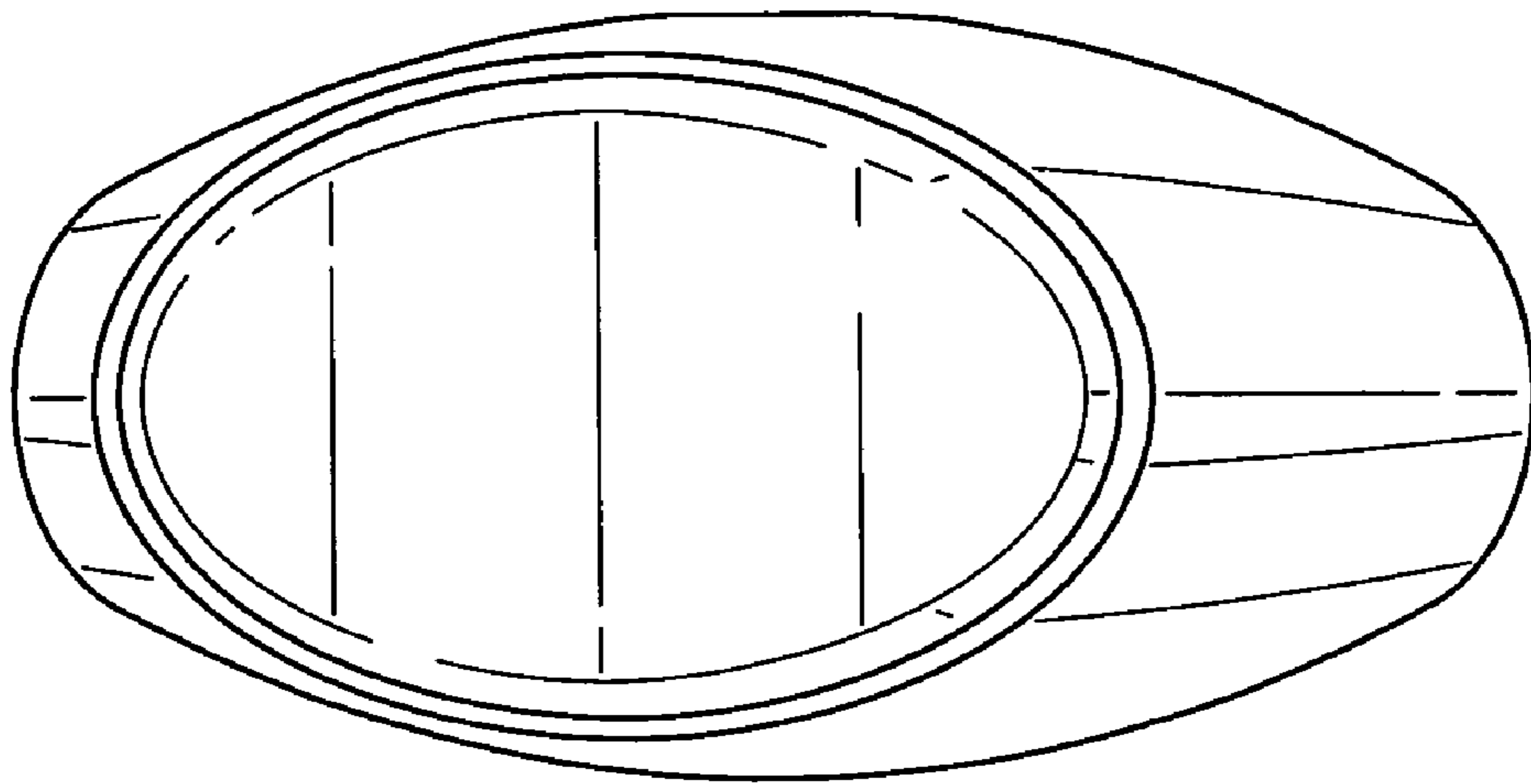


Fig.6.

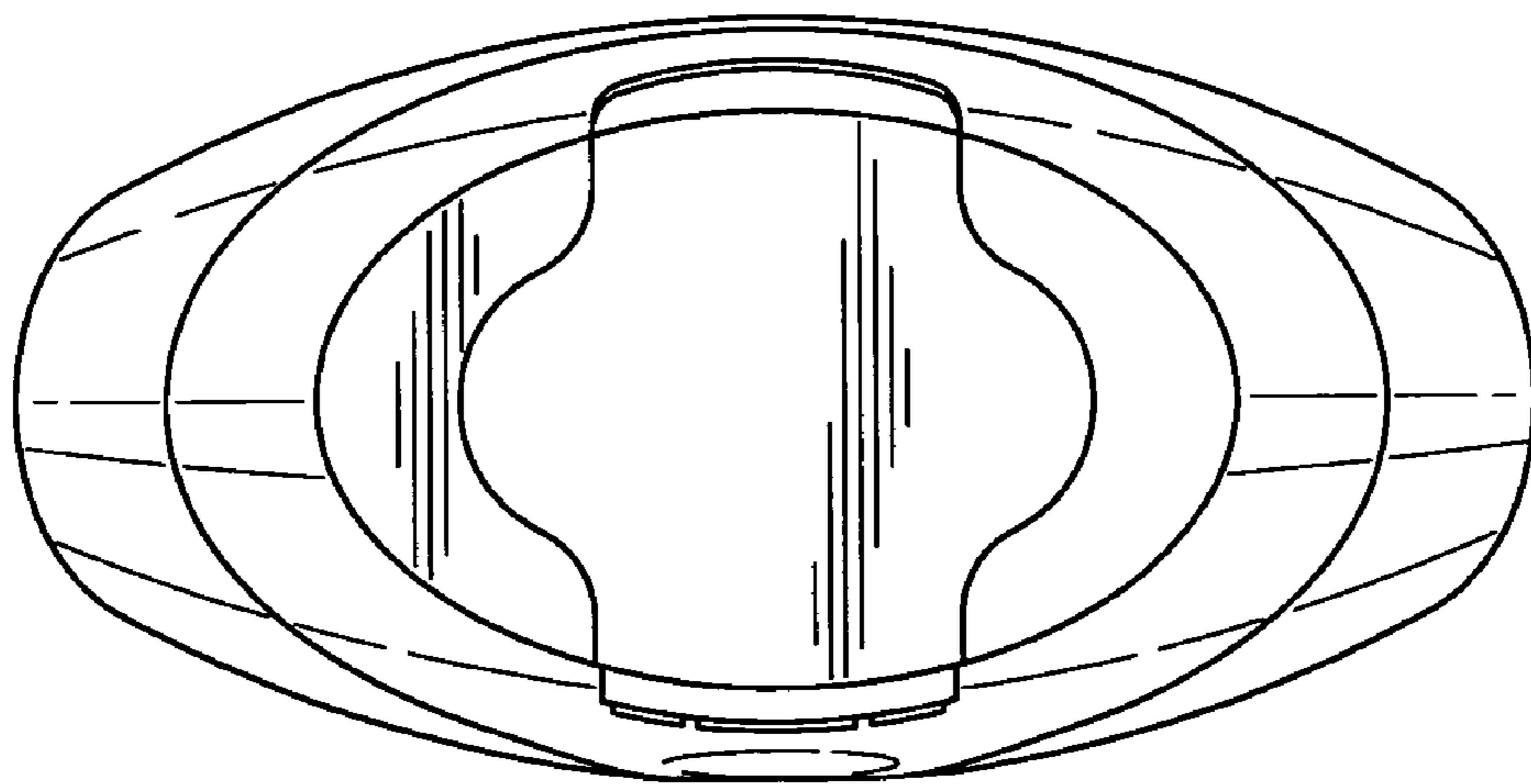


Fig.7.