



US00D588455S

(12) **United States Design Patent**
Sweeton et al.

(10) **Patent No.:** **US D588,455 S**
(45) **Date of Patent:** **** Mar. 17, 2009**

(54) **SPRAYER SHROUD**

(75) Inventors: **Steve L. Sweeton**, Lake Winnebago, MO (US); **David L. Dejong**, Ogden, UT (US); **Joseph K. Dodd**, Lee's Summit, MO (US)

(73) Assignee: **MeadWestvaco Calmar, Inc.**, Grandview, MO (US)

(**) Term: **14 Years**

(21) Appl. No.: **29/325,118**

(22) Filed: **Sep. 25, 2008**

D385,492 S *	10/1997	Foster et al.	D9/448
D394,007 S *	5/1998	Foster et al.	D9/448
D394,009 S *	5/1998	Foster et al.	D9/448
D396,265 S *	7/1998	Alvern	D23/227
D400,102 S *	10/1998	Tada	D9/448
D406,762 S *	3/1999	Durliat	D9/448
D409,487 S *	5/1999	Wadsworth et al.	D9/448
D409,915 S *	5/1999	Durliat et al.	D9/448
D409,917 S *	5/1999	Wadsworth et al.	D9/448
D419,875 S *	2/2000	Wadsworth et al.	D9/448
D419,876 S *	2/2000	Keung	D9/448
D421,388 S *	3/2000	Cummings	D9/448
D422,216 S *	4/2000	Brozell	D9/448
D422,913 S *	4/2000	Brozell	D9/448
D423,934 S *	5/2000	Brozell	D9/448
D424,939 S *	5/2000	Fan et al.	D9/448

(Continued)

Related U.S. Application Data

(62) Division of application No. 29/275,445, filed on Dec. 27, 2006, now Pat. No. Des. 579,330.

(51) **LOC (9) Cl.** **09-07**

(52) **U.S. Cl.** **D9/448**

(58) **Field of Classification Search** D9/682,
D9/448, 447, 435, 434; D6/542; D23/227,
D23/226, 213; 222/255, 251, 383.3, 383.1,
222/382

See application file for complete search history.

(56) **References Cited**

U.S. PATENT DOCUMENTS

D256,946 S *	9/1980	Campbell et al.	D23/226
D326,707 S *	6/1992	Silvenis et al.	D23/226
D327,222 S *	6/1992	Fuchs	D9/435
D332,652 S *	1/1993	Foster et al.	D23/226
D352,546 S *	11/1994	Silvenis et al.	D23/226
D354,226 S *	1/1995	Foster et al.	D9/448
D357,408 S *	4/1995	Silvenis et al.	D9/448
D358,198 S *	5/1995	Wadsworth	D23/226
D366,692 S *	1/1996	Wadsworth	D23/213
D377,602 S *	1/1997	Wadsworth	D9/448
D381,581 S *	7/1997	Wadsworth	D9/448

Primary Examiner—Susan B Hattan

(74) *Attorney, Agent, or Firm*—Gordon & Jacobson, PC

(57) **CLAIM**

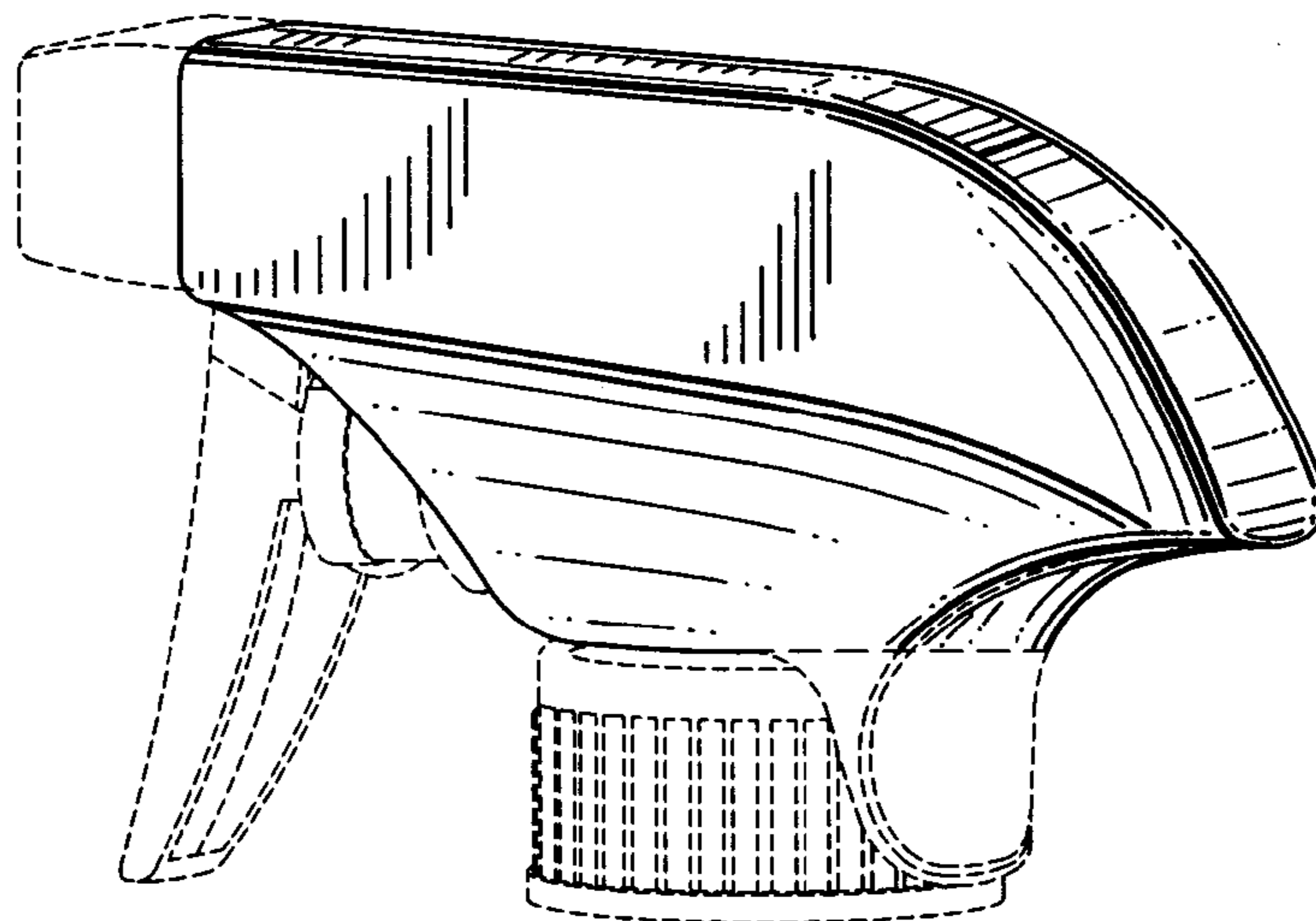
The ornamental design for a sprayer shroud, as shown and described.

DESCRIPTION

FIG. 1 is a front side perspective view of a sprayer shroud; FIG. 2 is a back side perspective view of the sprayer shroud; FIG. 3 is a top view of the sprayer shroud; FIG. 4 is a side view of the sprayer shroud, the other side being a mirror image thereof; FIG. 5 is a front view of the sprayer shroud; and, FIG. 6 is a rear view of the sprayer shroud.

The broken line immediately adjacent to the shaded area on the rear bottom of the shroud represents the bounds of the claim and all other broken lines depict environmental subject matter only. None of the broken lines form a part of the claimed design.

1 Claim, 3 Drawing Sheets



U.S. PATENT DOCUMENTS

D433,943 S *	11/2000	Keung et al.	D9/448	D519,371 S *	4/2006	Hornsby et al.	D9/448
D435,448 S *	12/2000	Trepina et al.	D9/448	7,032,777 B2 *	4/2006	Good et al.	222/1
D437,785 S *	2/2001	Fan et al.	D9/448	D520,872 S *	5/2006	Paas et al.	D9/448
D439,164 S *	3/2001	Keung et al.	D9/448	D525,124 S *	7/2006	Sweeton	D9/448
D442,088 S *	5/2001	Trepina et al.	D9/448	D525,524 S *	7/2006	Sweeton	D9/448
D454,306 S *	3/2002	Sweeton et al.	D9/434	D530,201 S *	10/2006	Sweeton	D9/448
6,367,665 B1 *	4/2002	Barriac et al.	222/383.3	D535,560 S *	1/2007	Sweeton	D9/448
D479,305 S *	9/2003	Zittel et al.	D23/226	D541,652 S *	5/2007	Arminak	D9/448
6,669,058 B1 *	12/2003	Sweeton	222/153.13	7,219,848 B2 *	5/2007	Sweeton	239/102.2
D488,536 S *	4/2004	Yean	D23/226	2002/0070245 A1 *	6/2002	Barriac et al.	222/382
D494,866 S *	8/2004	Guala	D9/448	2002/0070246 A1 *	6/2002	Barriac et al.	222/382
D495,399 S *	8/2004	Guala	D23/213	2002/0092872 A1 *	7/2002	Barriac et al.	222/383.3
D499,024 S *	11/2004	Sweeton	D9/448	2005/0082311 A1 *	4/2005	Good et al.	222/1
D506,808 S *	6/2005	Huang	D23/223	2006/0091160 A1 *	5/2006	Sweeton	222/333
D508,852 S *	8/2005	Arminak	D9/448	2006/0153707 A1 *	7/2006	Sweeton et al.	417/411
				2007/0215724 A1 *	9/2007	Sweeton	239/525

* cited by examiner

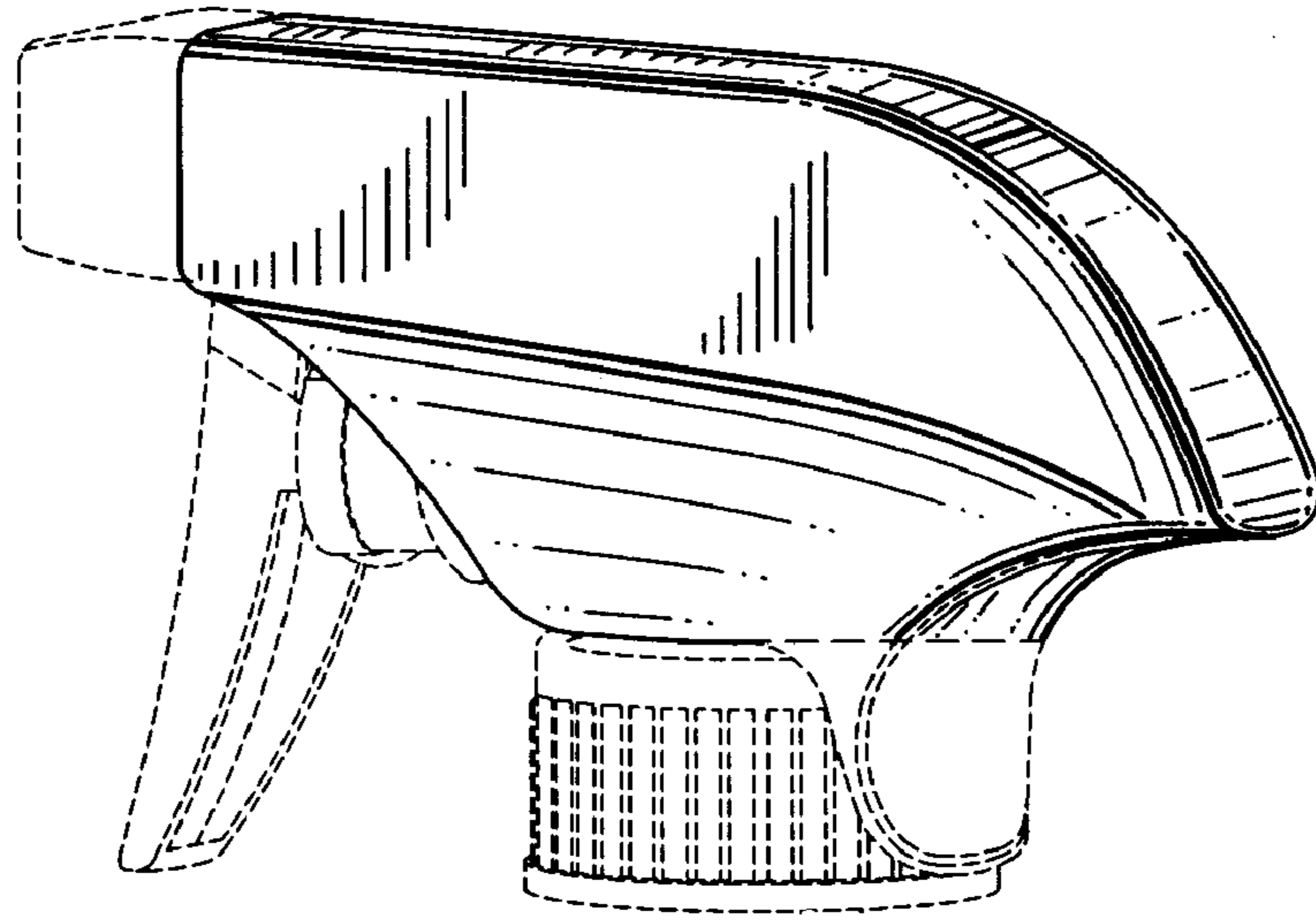


FIG. 1

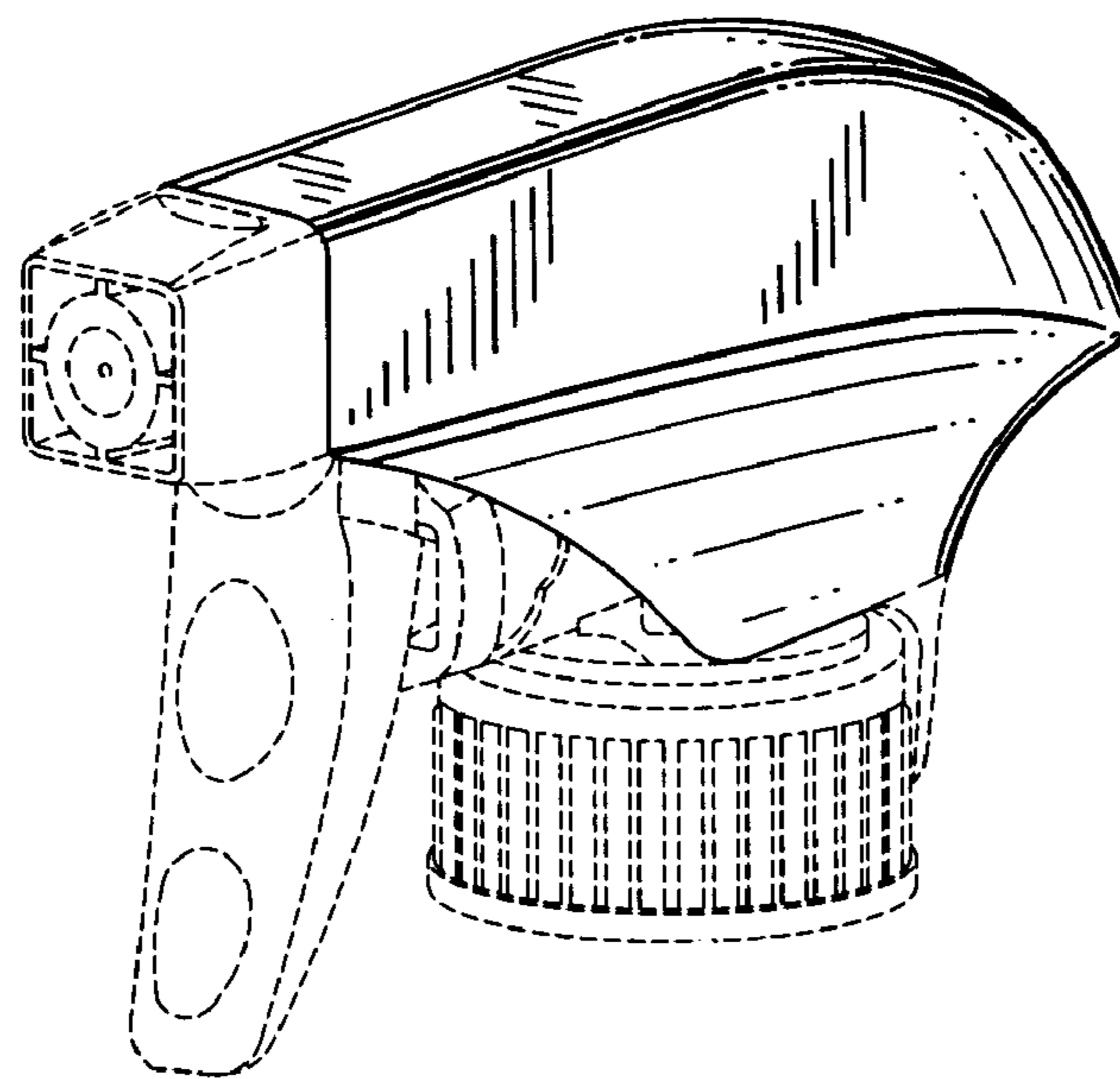


FIG. 2

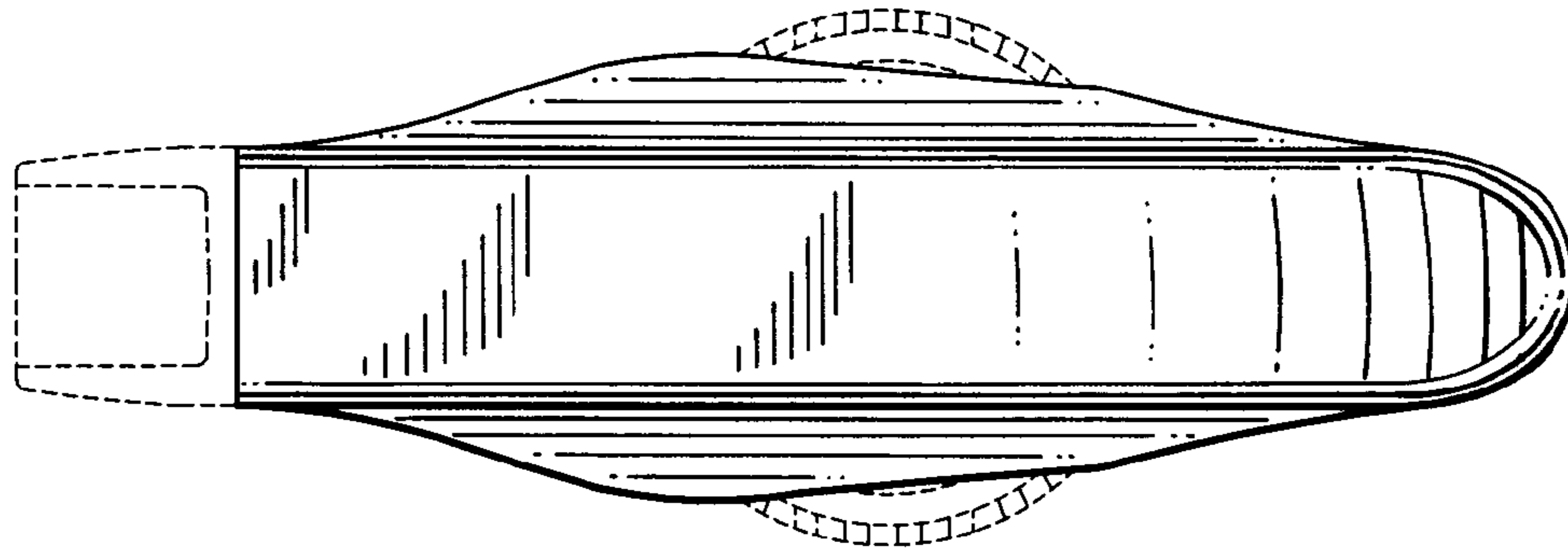


FIG. 3

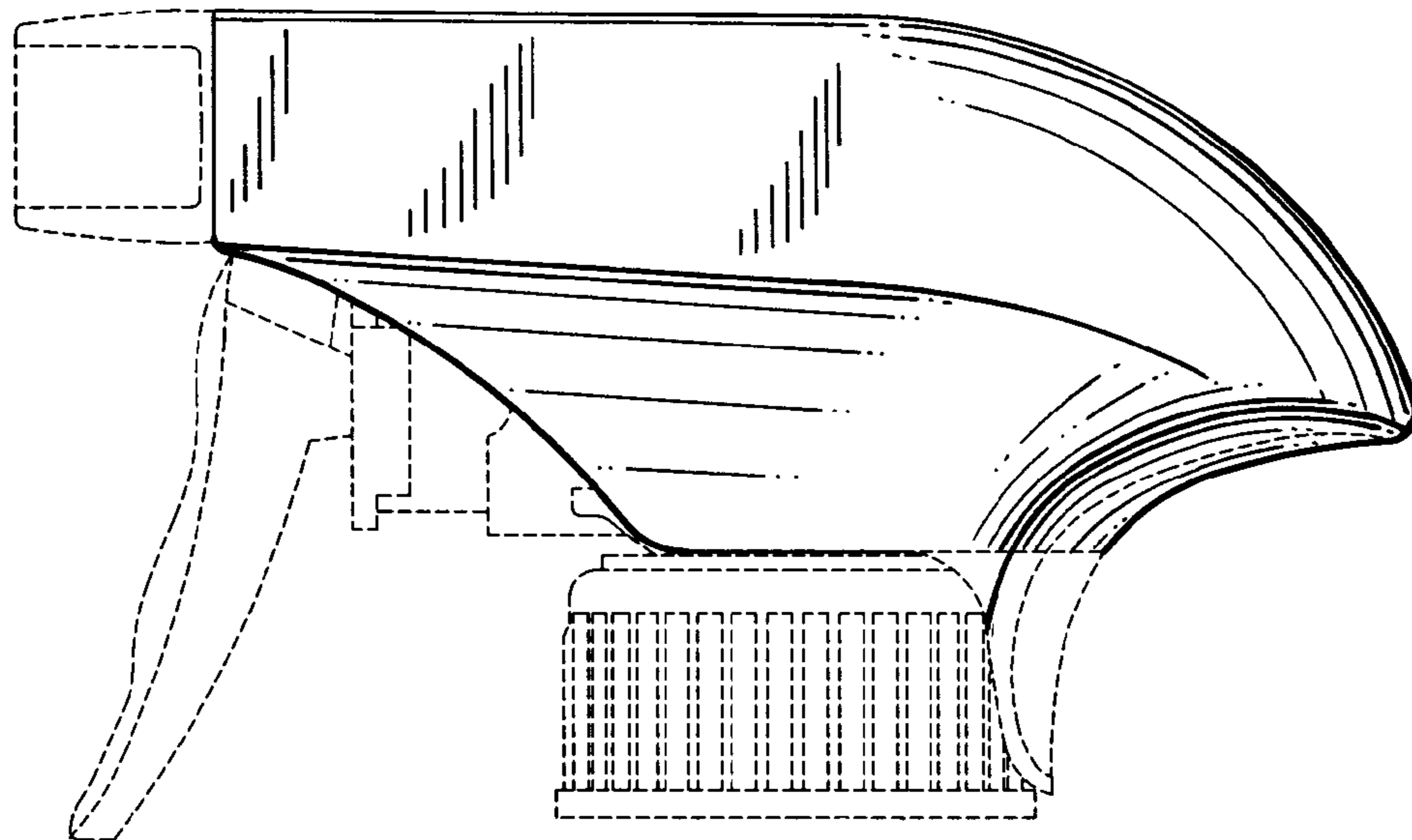


FIG. 4

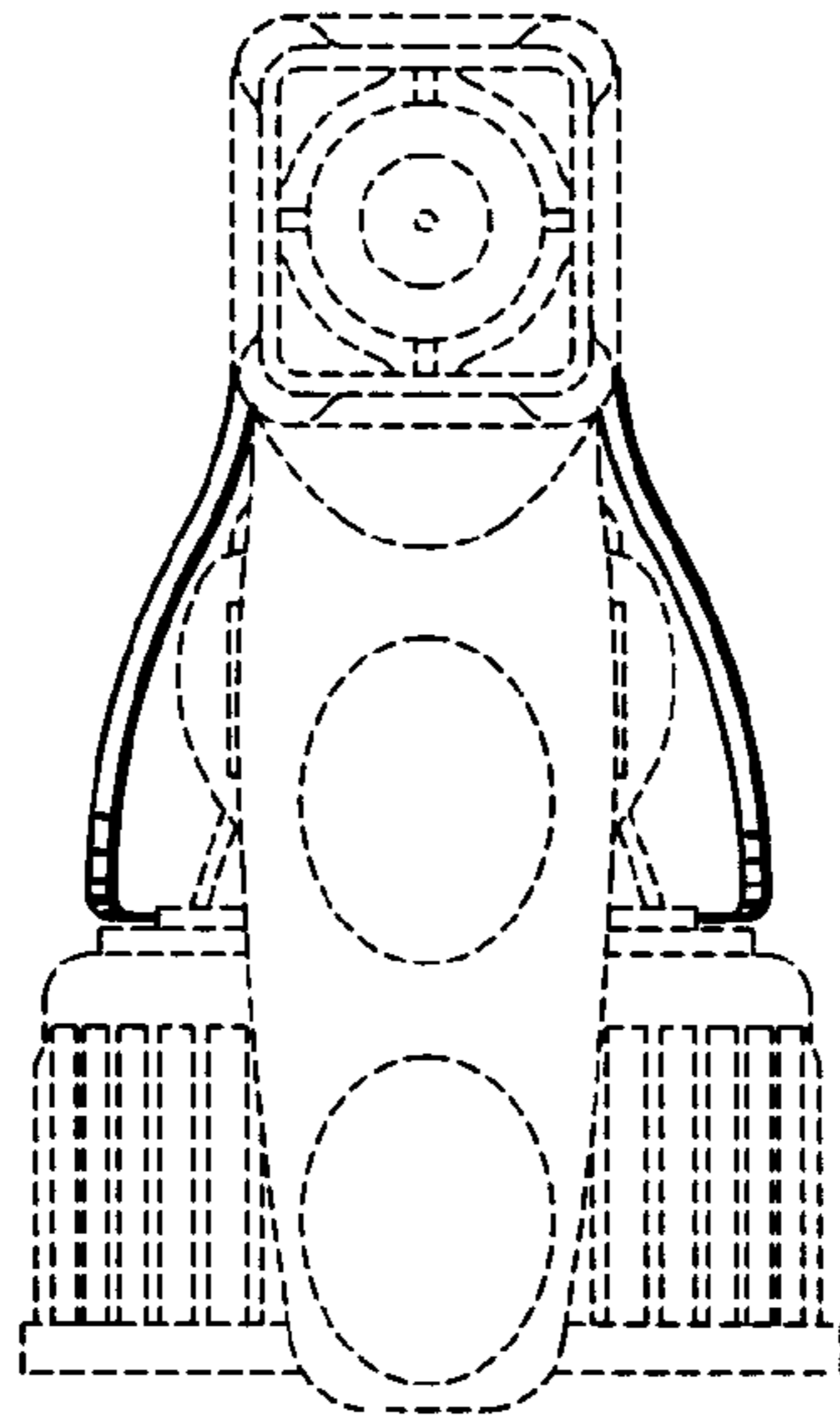


FIG. 5

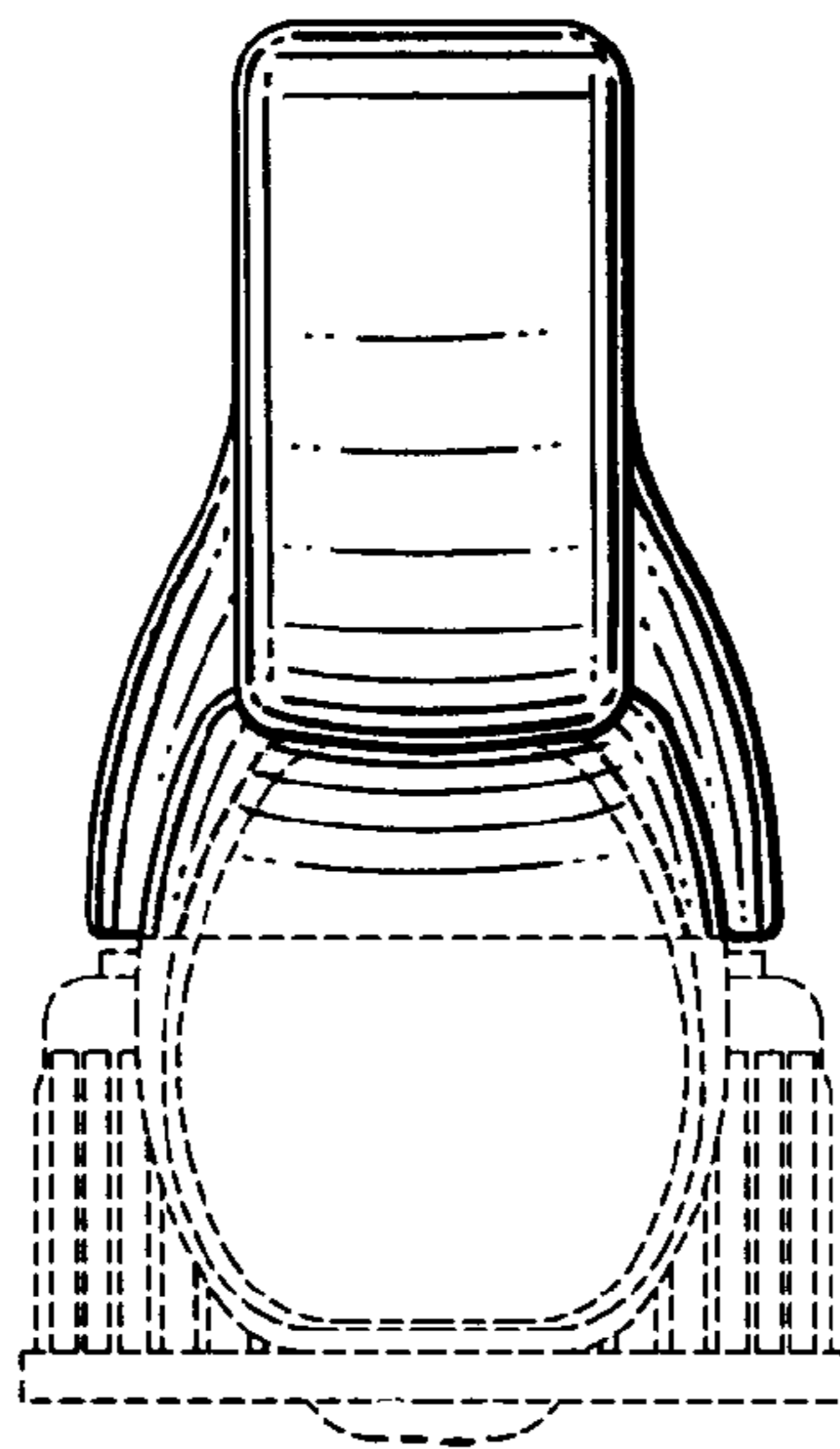


FIG. 6