



US00D588453S

(12) **United States Design Patent**  
**Glade**

(10) **Patent No.:** **US D588,453 S**  
(45) **Date of Patent:** **\*\* Mar. 17, 2009**

(54) **FOLDING GIFT BOX**

(75) Inventor: **David R. Glade**, West Jordan, UT (US)

(73) Assignee: **Taffy Town, Inc.**, Salt Lake City

(\*\*) Term: **14 Years**

(21) Appl. No.: **29/277,669**

(22) Filed: **Mar. 6, 2007**

(51) **LOC (9) Cl.** ..... **09-03**

(52) **U.S. Cl.** ..... **D9/430; D9/433**

(58) **Field of Classification Search** ..... D9/430-433,  
D9/414-418, 420-429, 560, 737, 756; D3/273,  
D3/302; 206/421, 454, 457, 775-778, 784,  
206/822; 220/500, 523-529, 552, 555; 229/100,  
229/103.3, 104-106, 108, 108.1, 109, 110,  
229/112-116, 116.1, 116.2, 117.15, 120,  
229/125.015, 132, 138, 155, 162.1, 162.6,  
229/162.7, 182.1, 213, 214, 247, 406, 407,  
229/902, 911, 922, 930, 942

See application file for complete search history.

(56) **References Cited**

**U.S. PATENT DOCUMENTS**

727,723	A *	5/1903	Webb	229/153
924,681	A *	6/1909	Ludescher	150/112
1,815,261	A *	7/1931	Kemp	426/104
2,047,804	A *	7/1936	Shapiro	229/138
2,077,173	A *	4/1937	Holy	229/109
2,091,291	A *	8/1937	Ringler	229/109
D112,661	S *	12/1938	Lewis	D9/714
2,450,364	A *	9/1948	Smith	426/112
D170,794	S *	11/1953	De Kolb	D9/670
3,174,675	A *	3/1965	Rosenburg, Jr.	229/108.1
3,274,047	A *	9/1966	Sloan	428/166
3,549,081	A *	12/1970	Nelson	229/117
3,668,796	A *	6/1972	Patterson	428/9
3,768,720	A *	10/1973	Bundy	229/117.25
3,773,246	A *	11/1973	Tyrseck	229/110
3,985,285	A *	10/1976	Kitagawa	229/103.3
4,199,098	A *	4/1980	Lopez	229/108.1
4,201,331	A *	5/1980	Austin	229/140

D255,778	S *	7/1980	Albert	D9/414
4,260,100	A *	4/1981	Hoffman	229/109
D270,042	S *	8/1983	Fisher	D9/430
4,418,862	A *	12/1983	Vesborg	229/110
D272,130	S *	1/1984	Miyazaki	D9/431
4,492,723	A *	1/1985	Chadwick, II	428/7
D280,703	S *	9/1985	Strobe	D9/669
4,768,701	A *	9/1988	Gabbard	229/116.5
4,795,082	A *	1/1989	Fujihara et al.	229/109
4,850,528	A *	7/1989	Hanus	229/138
4,930,680	A *	6/1990	Hanus	229/110
5,393,579	A *	2/1995	Witte	428/9
D362,619	S *	9/1995	Haas	D9/418
5,531,375	A *	7/1996	Palm	229/137
5,558,272	A *	9/1996	Magister	229/109
D380,154	S *	6/1997	Ryan	D9/432
5,676,306	A *	10/1997	Lankin et al.	229/404
D387,984	S *	12/1997	Magister	D9/430
D402,197	S *	12/1998	Poulin	D9/712
D406,058	S *	2/1999	Allmon	D9/433
D410,196	S *	5/1999	Berg	D9/432
D444,062	S *	6/2001	Harrison	D9/430
D464,261	S *	10/2002	Hereth	D9/422
D508,649	S *	8/2005	Ruiland et al.	D9/430
D549,576	S *	8/2007	Gray et al.	D9/432
2002/0170950	A1 *	11/2002	Escamila	229/116.1

**OTHER PUBLICATIONS**

Sweets Candy, Twist Box, advertisement in Specialty Food Magazine, Jan./Feb. 2007, p. 56.

Sweet Candy Company, New Products, Twist Box, circa 2006, 2 pages.

Harry London Chocolates, Peppermint Truffles Twist Box; circa 2005; downloaded on Apr. 20, 2007 from <http://www.harrylondon.com/product/1305/PeppermintTrufflesTwistBox.aspx>, 1 page.

Plentiful Pantry Apple Crisp Box; downloaded on Apr. 3, 2007 from [http://web.archive.org/web/20031226174517/http://www.plentifulpantry.com/our\\_store.htm](http://web.archive.org/web/20031226174517/http://www.plentifulpantry.com/our_store.htm) [from Dec. 26, 2003] 2 pages.

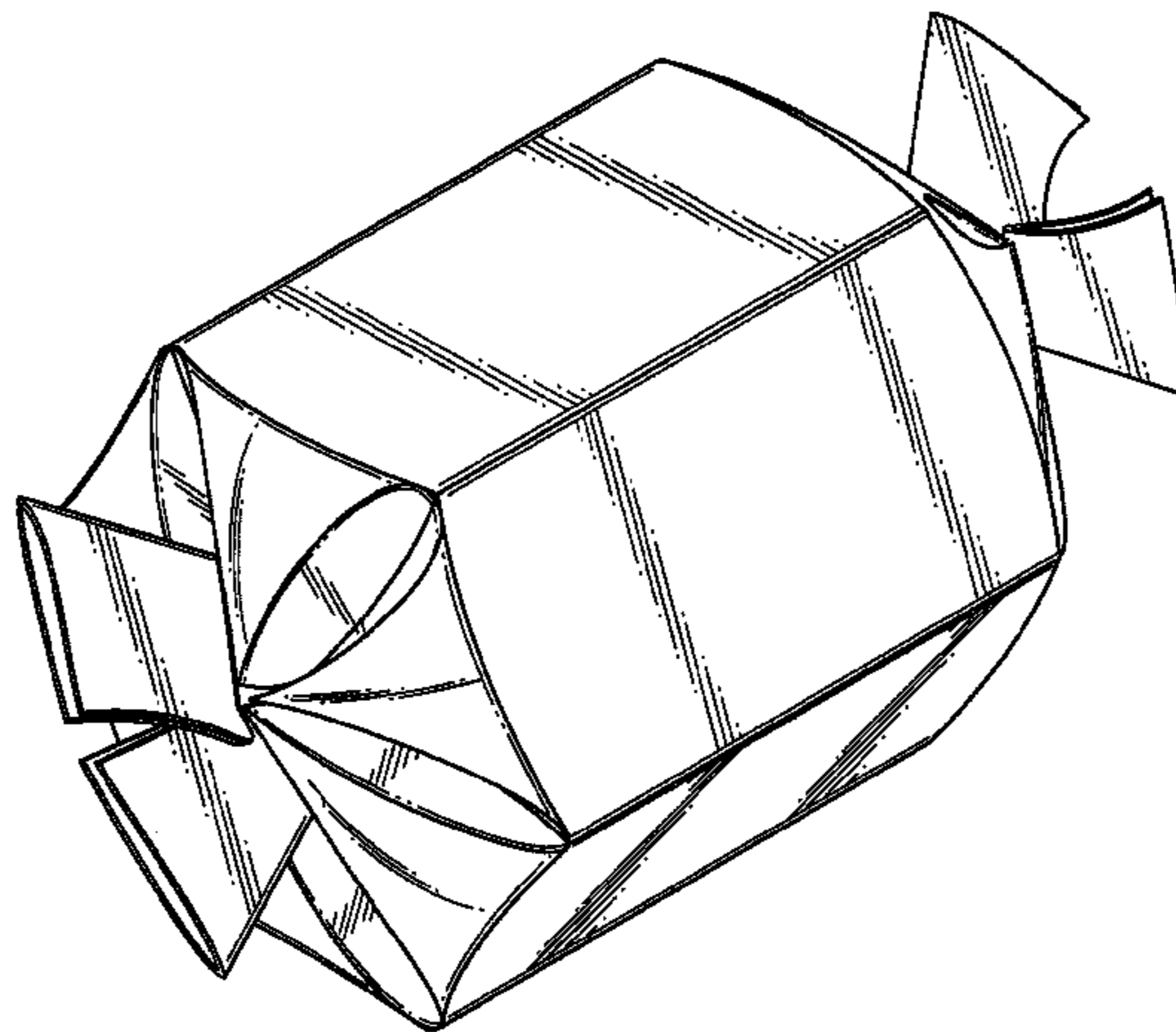
Sheer Finesse Favor Boxes; downloaded on May 2, 2008 from <http://web.archive.org/web/20050119090150/http://www.sheer-finesse.com/Favor+Boxes.htm> [from Jan. 19, 2005] 14 pages.

\* cited by examiner

*Primary Examiner*—T. Chase Nelson

*Assistant Examiner*—Karen Acker

(74) *Attorney, Agent, or Firm*—Workman Nydegger



(57)

**CLAIM**

The ornamental design for a folding gift box, as shown and described.

**DESCRIPTION**

FIG. 1 is a perspective view of the folding gift box, showing the folding gift box completely closed, in accordance with a preferred embodiment of the present invention;

FIG. 2 is a front elevational view of the folding gift box, showing the folding gift box completely closed, as shown in FIG. 1, with the back elevational view being a mirror image thereof;

FIG. 3 is a right side elevational view of the folding gift box, showing the folding gift box completely closed, as shown in FIG. 1, with the left side elevational view being a mirror image thereof;

FIG. 4 is a top elevational view of the folding gift box, showing the folding gift box completely closed, as shown in FIG. 1, with the bottom elevational view being a mirror image thereof;

FIG. 5 is a perspective view of the folding gift box, showing the folding gift box completely open, in accordance with a preferred embodiment of the present invention;

FIG. 6 is a top plan view of the folding gift box, showing the folding gift box completely open, as shown in FIG. 5, with the bottom plan view being a mirror image thereof;

FIG. 7 is a right side elevational view of the folding gift box, showing the folding gift box completely open, as shown in FIG. 5;

FIG. 8 is a left side elevational view of the folding gift box, showing the folding gift box completely open, as shown in FIG. 5;

FIG. 9 is a front elevational view of the folding gift box, showing the folding gift box completely open as shown in FIG. 5;

FIG. 10 is a back elevational view of the folding gift box, showing the folding gift box completely open, as shown in FIG. 5;

FIG. 11 is a perspective view of the folding gift box, showing the folding gift box with the back end open, in accordance with a preferred embodiment of the present invention;

FIG. 12 is a front elevational view of the folding gift box, showing the folding gift box with the front end closed, as shown in FIG. 11;

FIG. 13 is a right side elevational view of the folding gift box, showing the folding gift box with the back end open, as shown in FIG. 11, with the left side elevational view being a mirror image thereof;

FIG. 14 is a top elevational view of the folding gift box, showing the folding gift box with the back end open, as shown in FIG. 11, with the bottom elevational view being a mirror image thereof; and,

FIG. 15 is a back elevational view of the folding gift box, showing the folding gift box with the back end open, as shown in FIG. 11.

The broken lines are for illustrative purposes only and form no part of the claimed design.

**1 Claim, 6 Drawing Sheets**

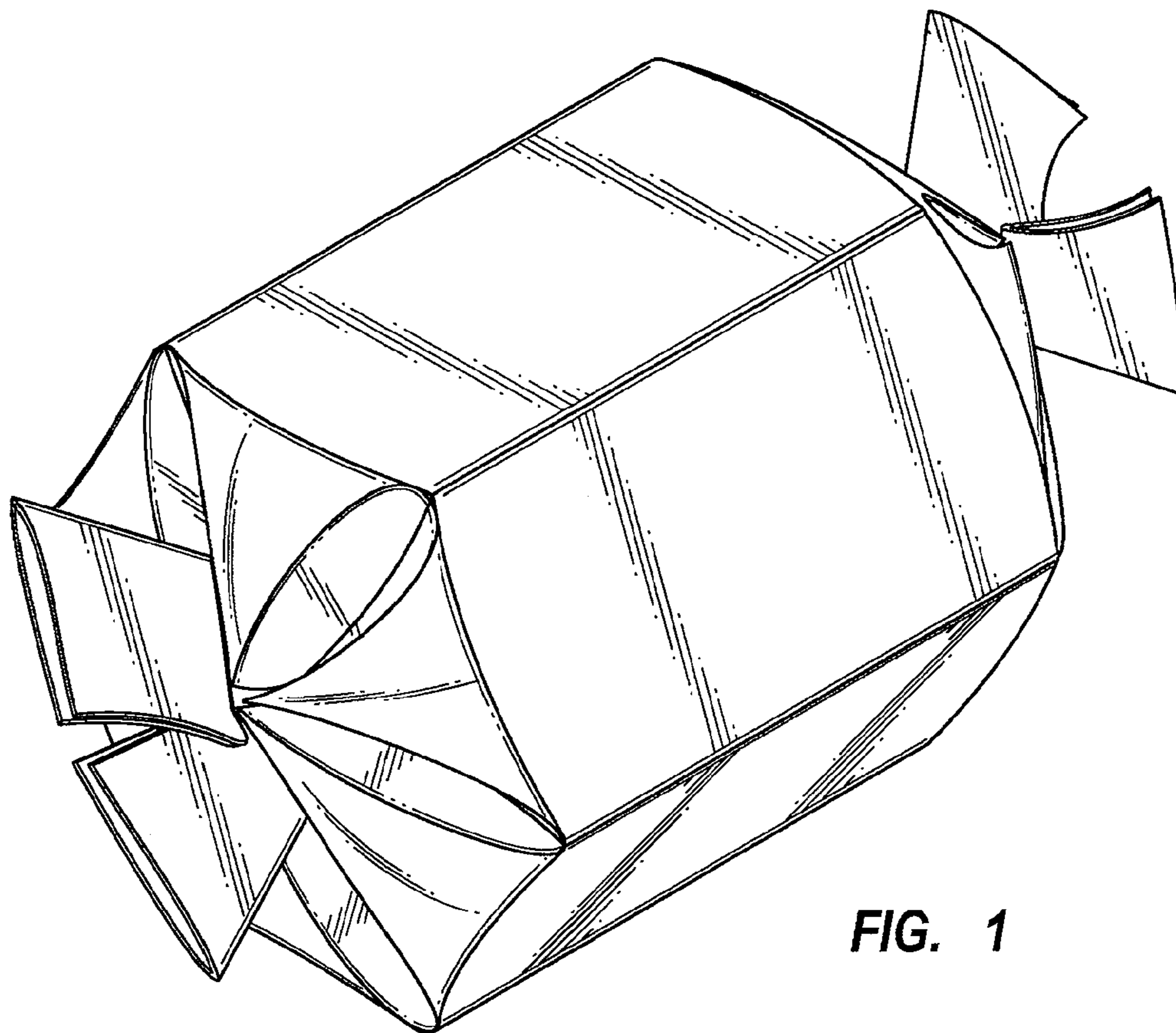


FIG. 1

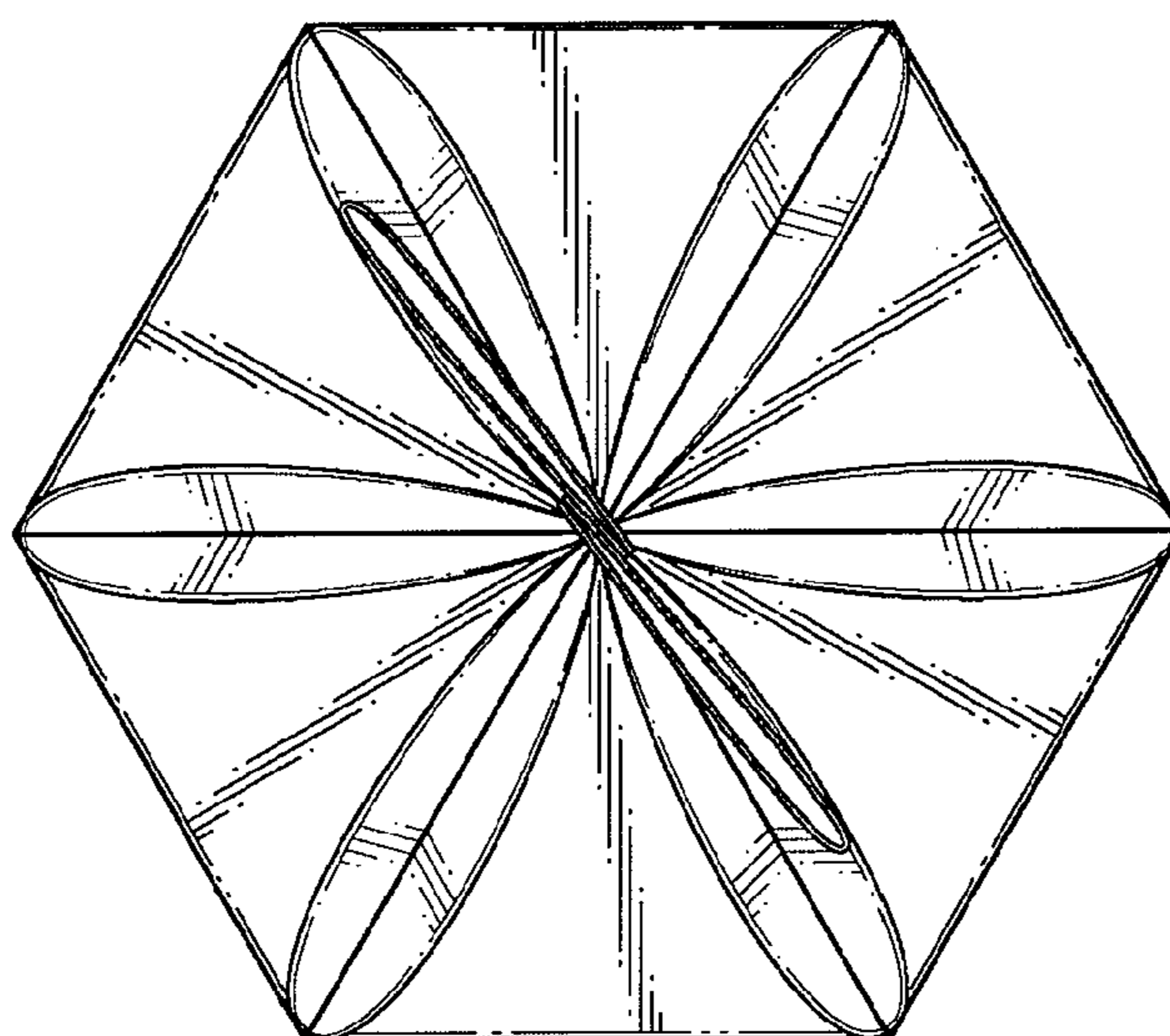
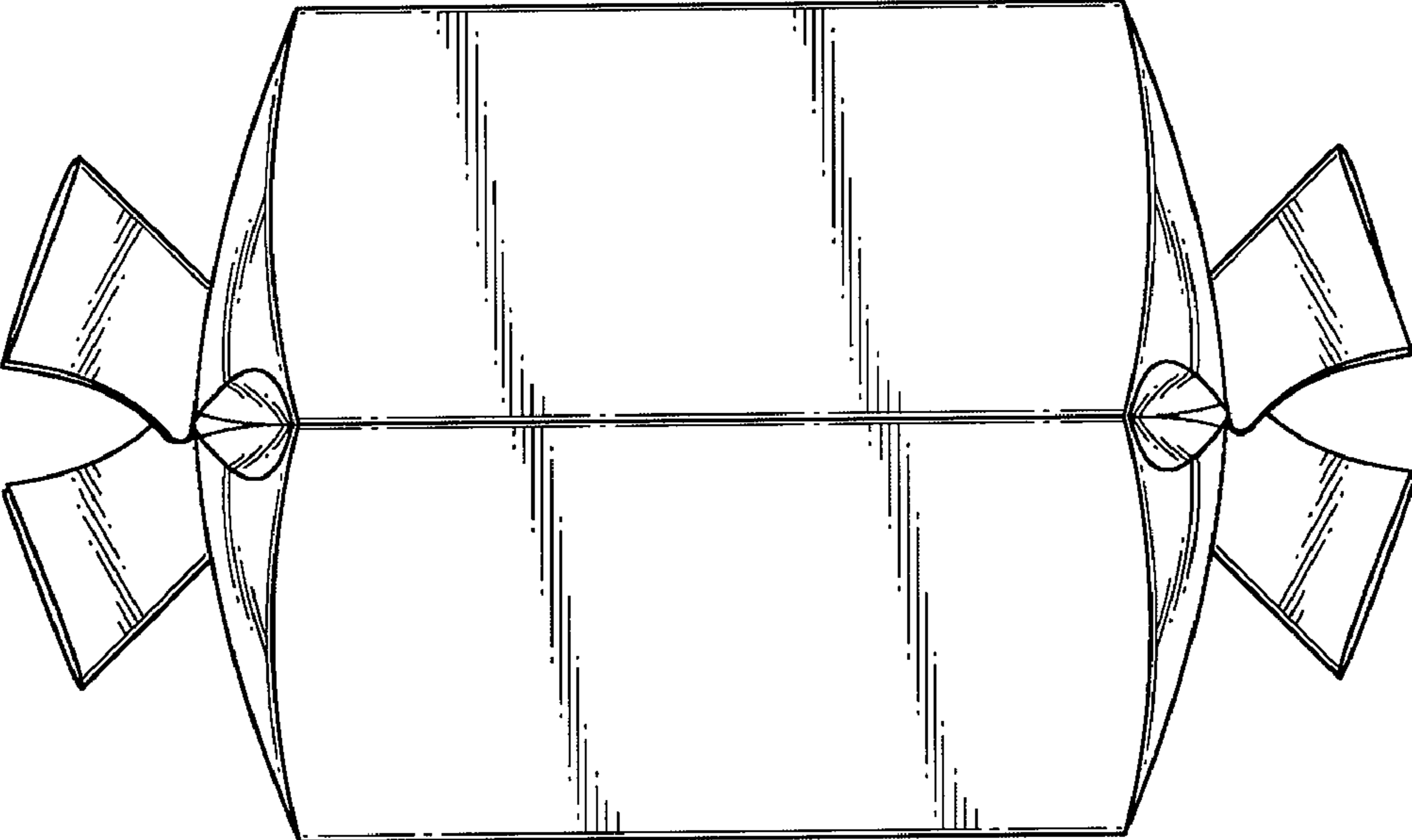
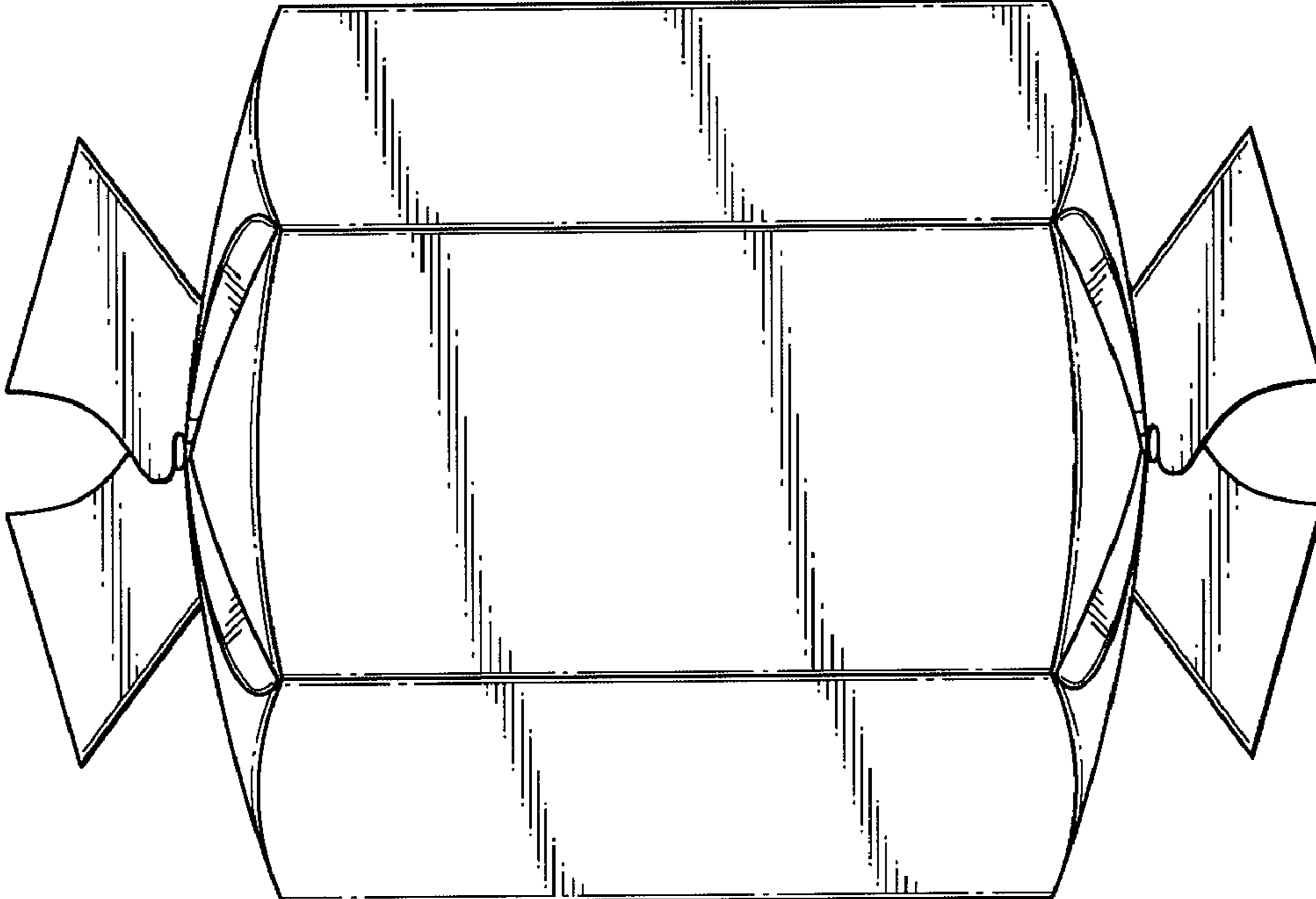


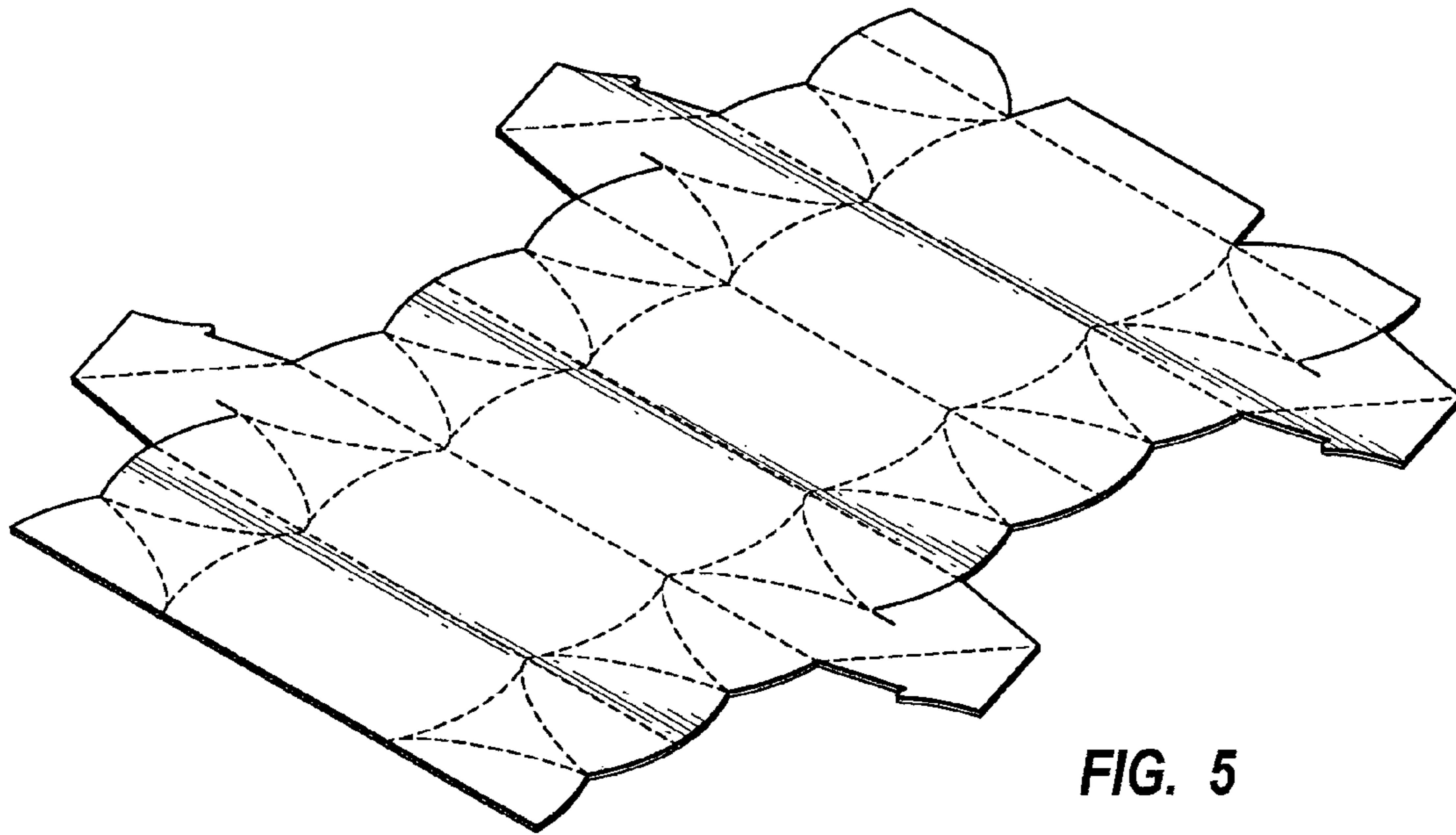
FIG. 2



**FIG. 3**



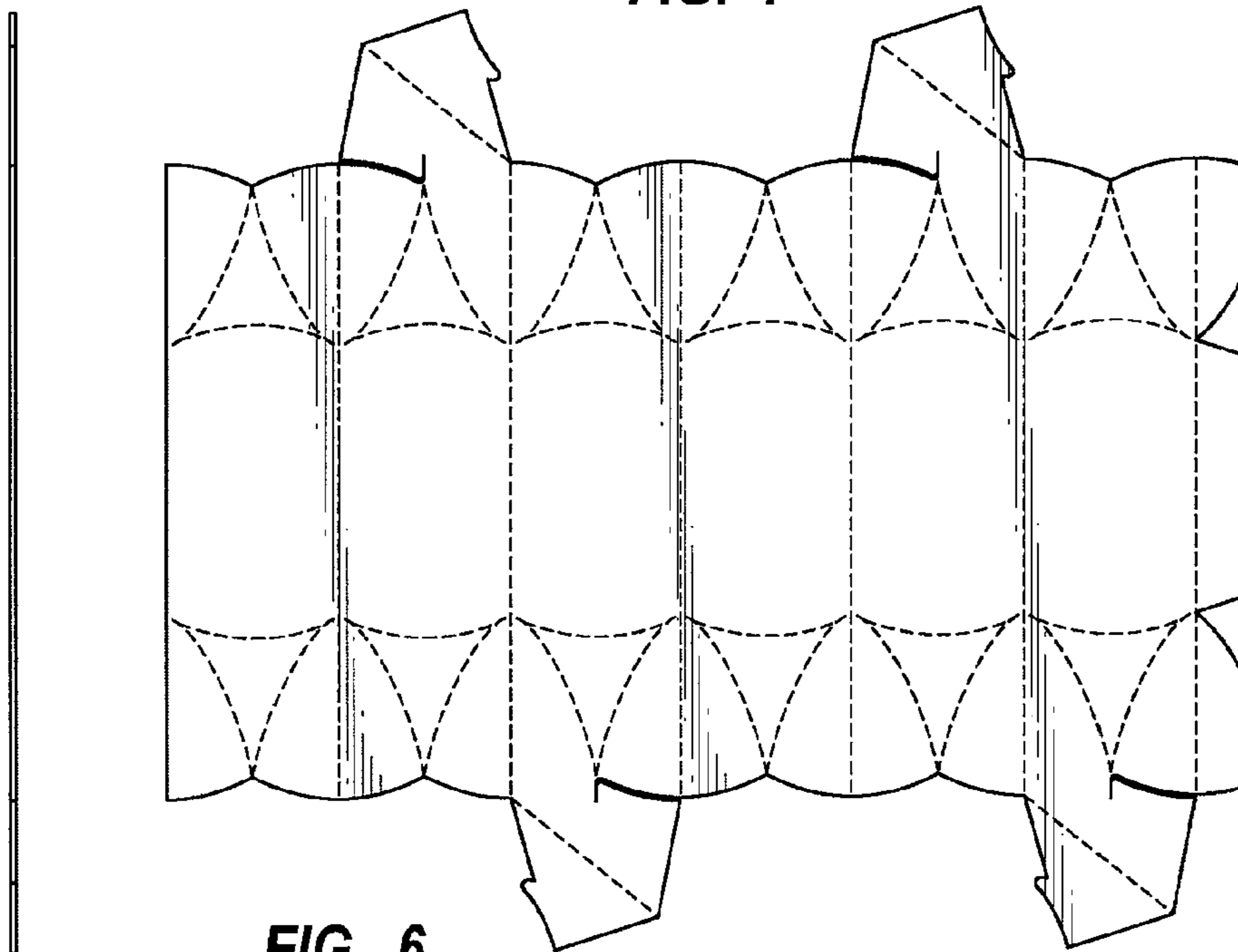
**FIG. 4**



**FIG. 5**



**FIG. 7**



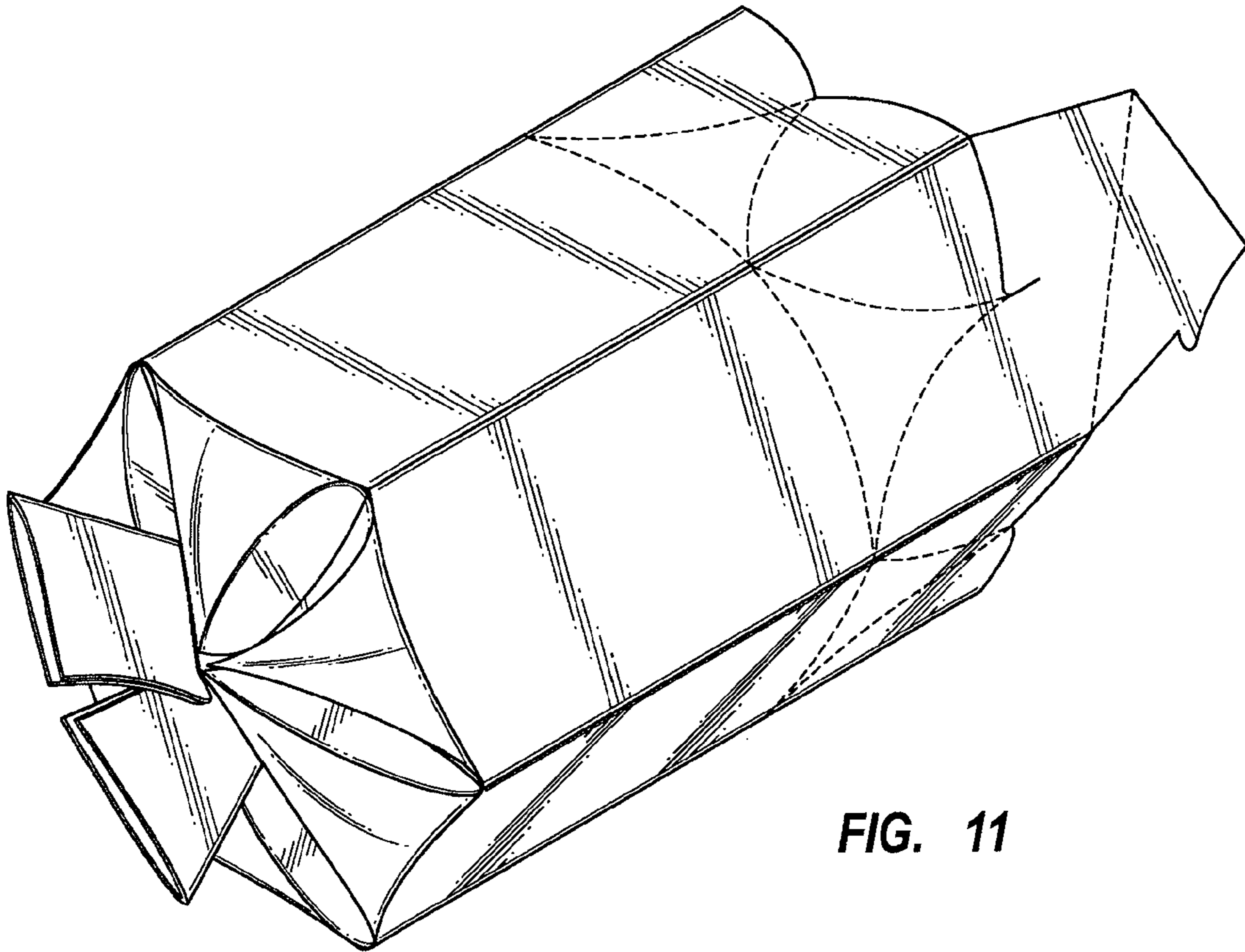
**FIG. 6**

**FIG. 10**

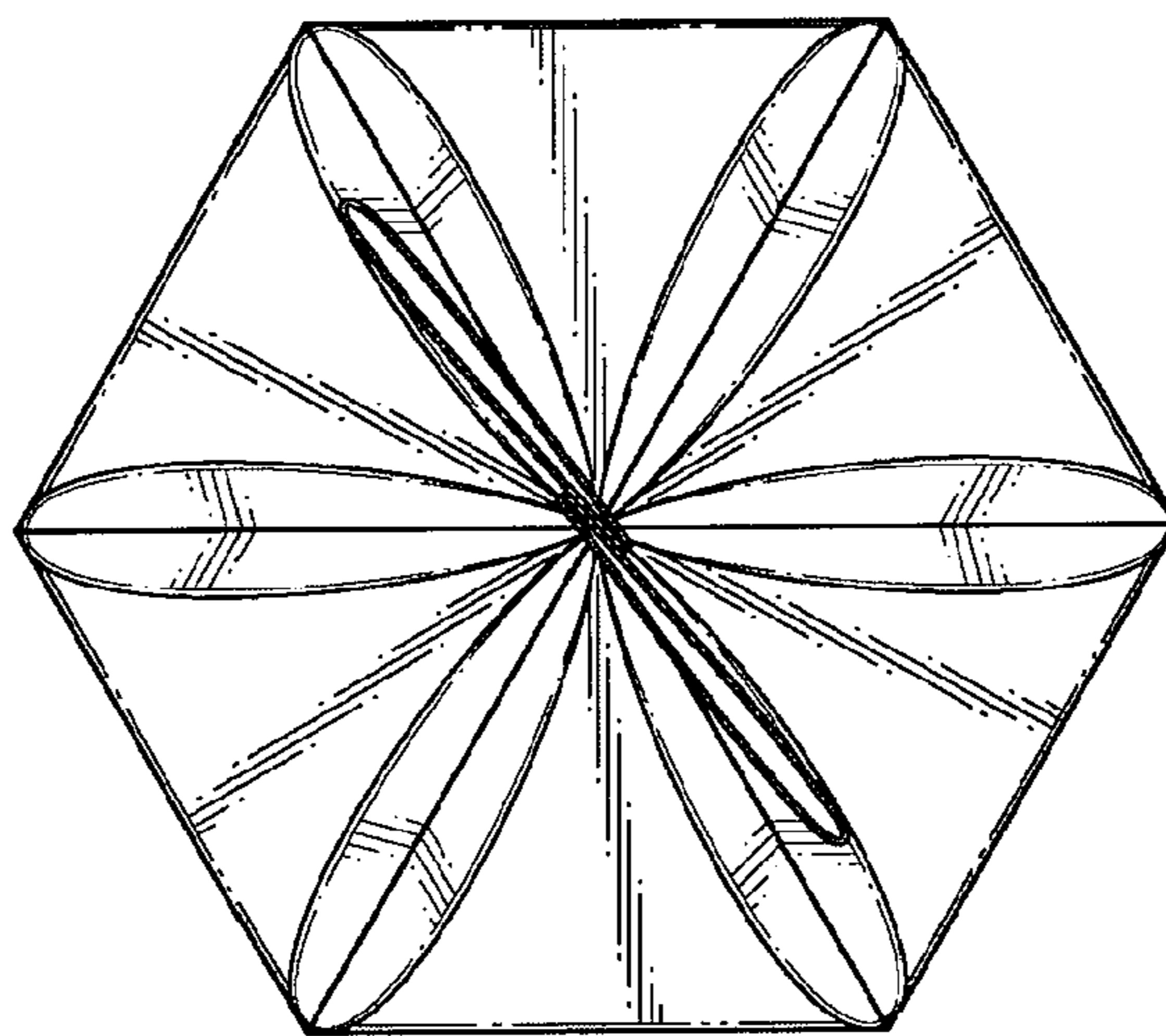
**FIG. 9**



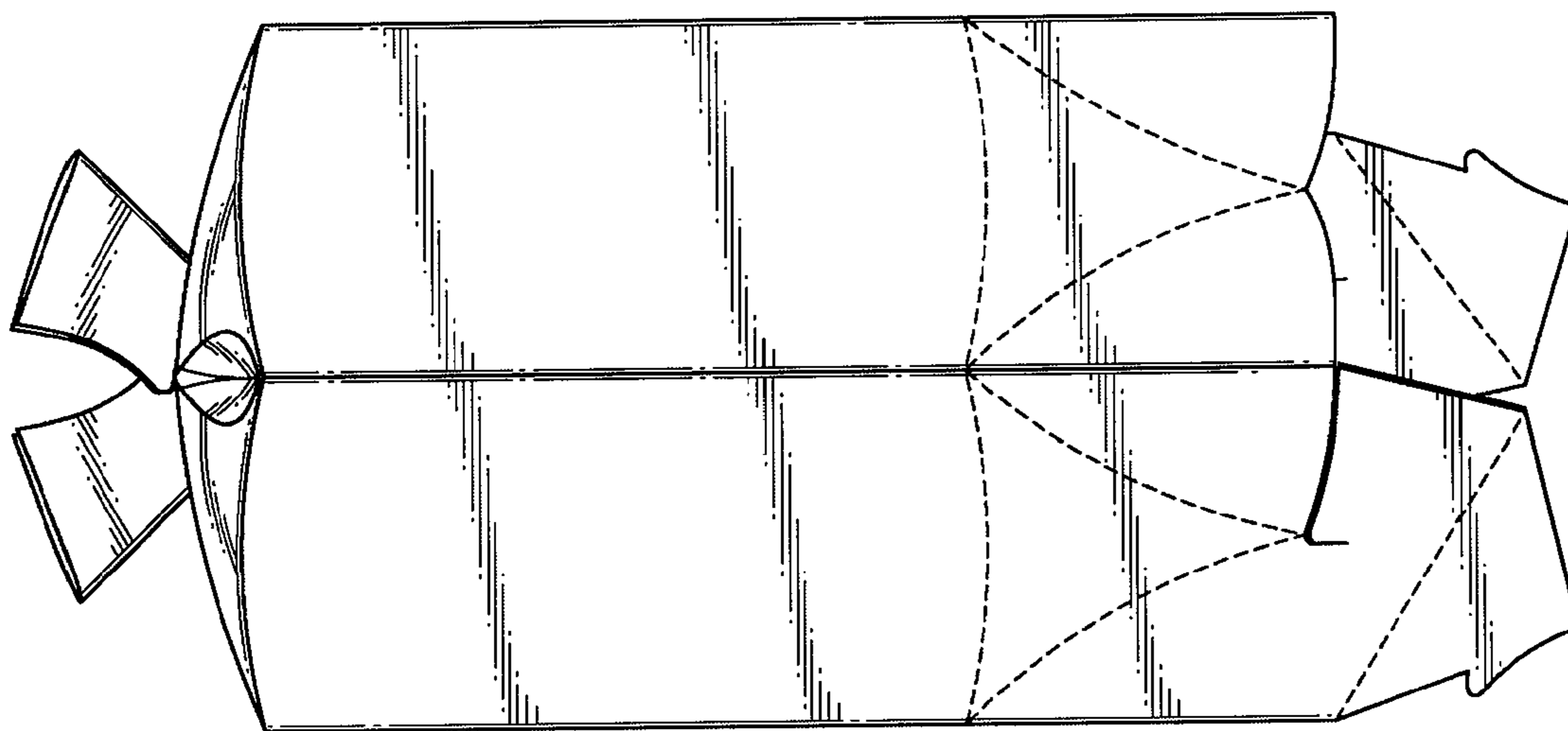
**FIG. 8**



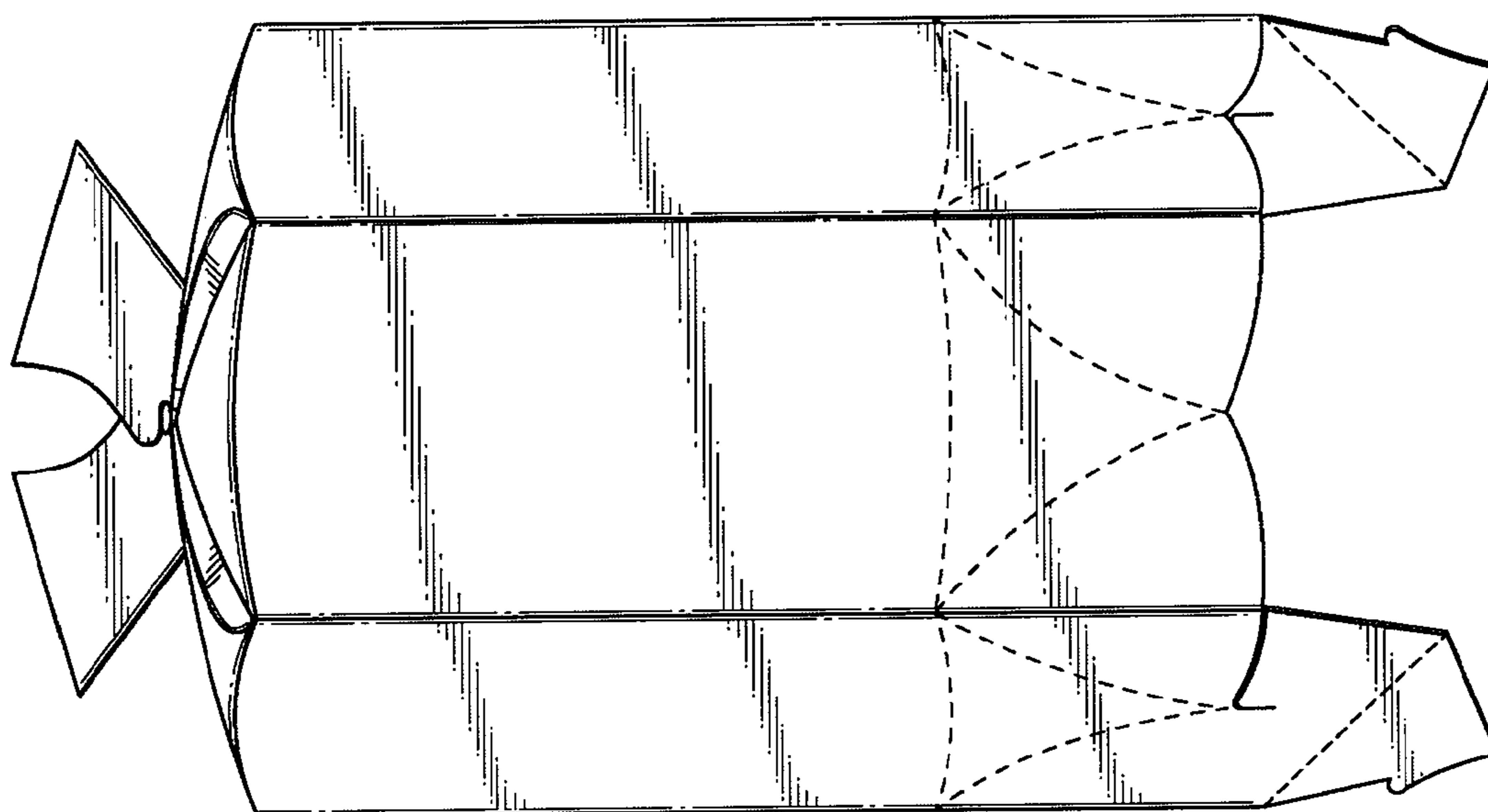
**FIG. 11**



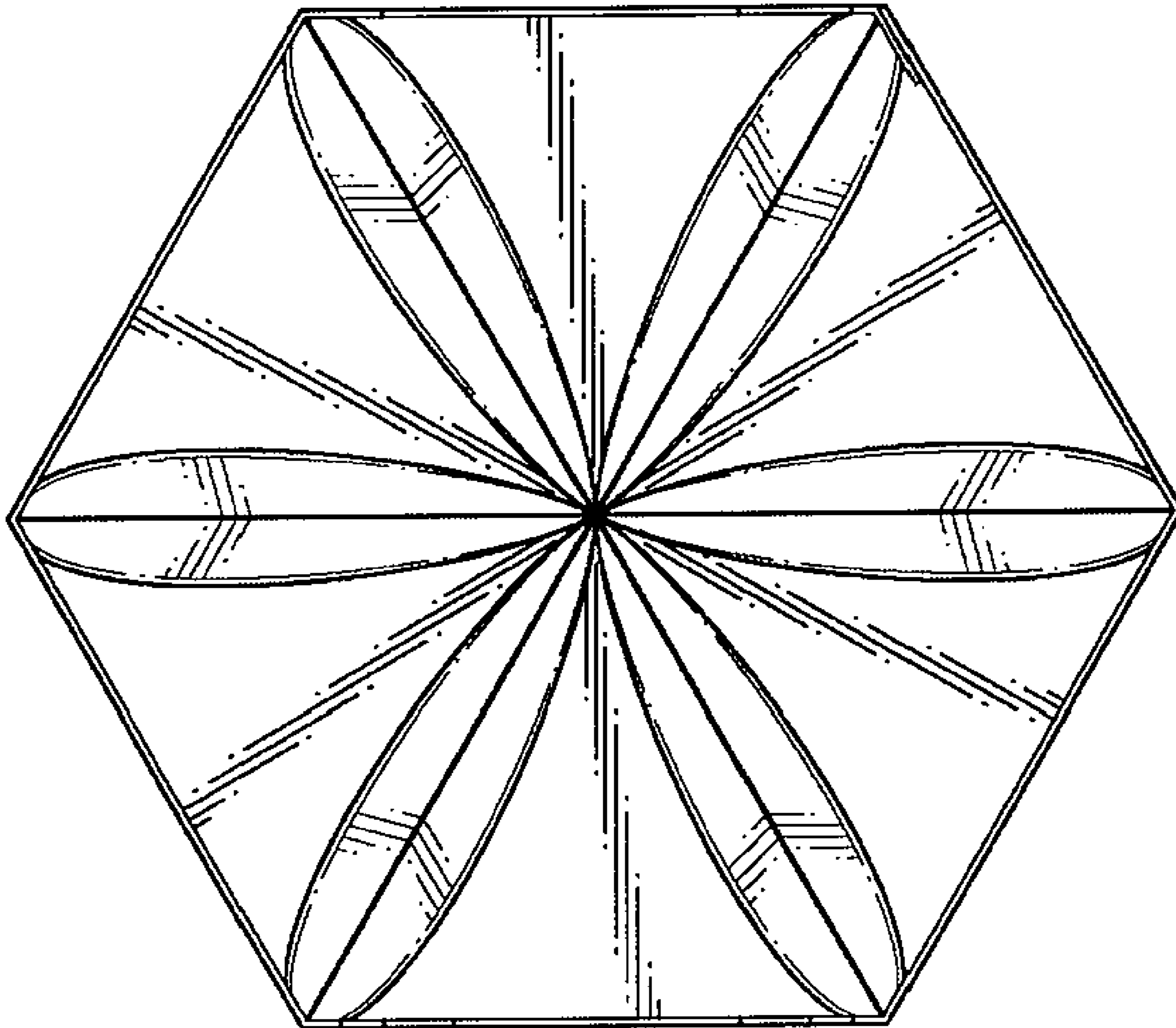
**FIG. 12**



**FIG. 13**



**FIG. 14**



**FIG. 15**