



US00D588451S

(12) **United States Design Patent**
Snedden et al.

(10) **Patent No.:** **US D588,451 S**
(45) **Date of Patent:** **** Mar. 17, 2009**

(54) **FOOD CONTAINER**

(75) Inventors: **Craig Richard Snedden**, Culver City, CA (US); **Gandhi Bonergue Sifuentes**, Whittier, CA (US)

(73) Assignee: **Direct Pack, Inc.**, San Valley, CA (US)

(**) Term: **14 Years**

(21) Appl. No.: **29/317,870**

(22) Filed: **May 8, 2008**

(51) **LOC (9) Cl.** **09-03**

(52) **U.S. Cl.** **D9/425; D7/602**

(58) **Field of Classification Search** D9/414-415, D9/418, 423-429, 431-432, 435, 452-453, D9/515, 761; D7/354, 504, 500, 538, 550.1, D7/543, 545, 553.6, 554.2, 557, 565, 584-585, D7/602, 629, 672; D3/201, 203.1-203.3, D3/304, 307-314; 220/4.21-4.24, 23.8, 220/23.87, 266, 276, 377, 532-533, 655, 220/781-784, 790-791, 793, 835; 206/45.19, 206/45.32, 386, 425, 503, 508, 509, 511, 206/518-521, 541, 555, 558, 560, 564, 625, 206/643; 229/120, 125, 406; 426/106, 119, 426/129, 234; 219/734

See application file for complete search history.

(56) **References Cited**

U.S. PATENT DOCUMENTS

D205,868 S *	9/1966	Immermann et al.	D9/425
D205,968 S *	10/1966	Bostrom	D9/425
3,394,861 A	7/1968	Truax	
D212,593 S *	11/1968	Collie	D9/429
D212,594 S *	11/1968	Collie	D9/425
3,424,342 A	1/1969	Scopp et al.	
D213,310 S *	2/1969	Collie	D9/425
3,589,554 A	6/1971	Smith	
3,863,832 A	2/1975	Gordon et al.	
D272,971 S	3/1984	Tallon	
D275,165 S	8/1984	Grusin	
D279,952 S	8/1985	Daenen et al.	
D280,964 S	10/1985	Wolff	

D281,048 S	10/1985	Wolff	
D281,229 S *	11/1985	Tyler	D9/425
D282,808 S	3/1986	Daenen et al.	
D283,481 S	4/1986	Schmidt	
D284,253 S	6/1986	Carlson	
D284,254 S	6/1986	Carlson	
D286,729 S	11/1986	Tzifkansky et al.	
4,700,842 A	10/1987	Grusin	
4,787,527 A	11/1988	Monetti	
4,819,824 A	4/1989	Longbottom et al.	
4,976,370 A	12/1990	Cassel	
D317,569 S *	6/1991	Lane, Sr.	D9/425
D325,847 S	5/1992	Wolff	
D330,490 S	10/1992	Turner	
D330,830 S	11/1992	Baranyai	
D330,996 S	11/1992	Smith et al.	
D332,204 S	1/1993	Carlson	
D334,114 S	3/1993	Narsutis	
D348,394 S *	7/1994	Dreyer	D9/425
D348,805 S	7/1994	Cautereels	
D350,880 S	9/1994	VanValkenburg et al.	
D351,090 S	10/1994	Narsutis	

(Continued)

Primary Examiner—Robert M Spear
Assistant Examiner—Susan E Krakower
(74) *Attorney, Agent, or Firm*—Frost Brown Todd LLC

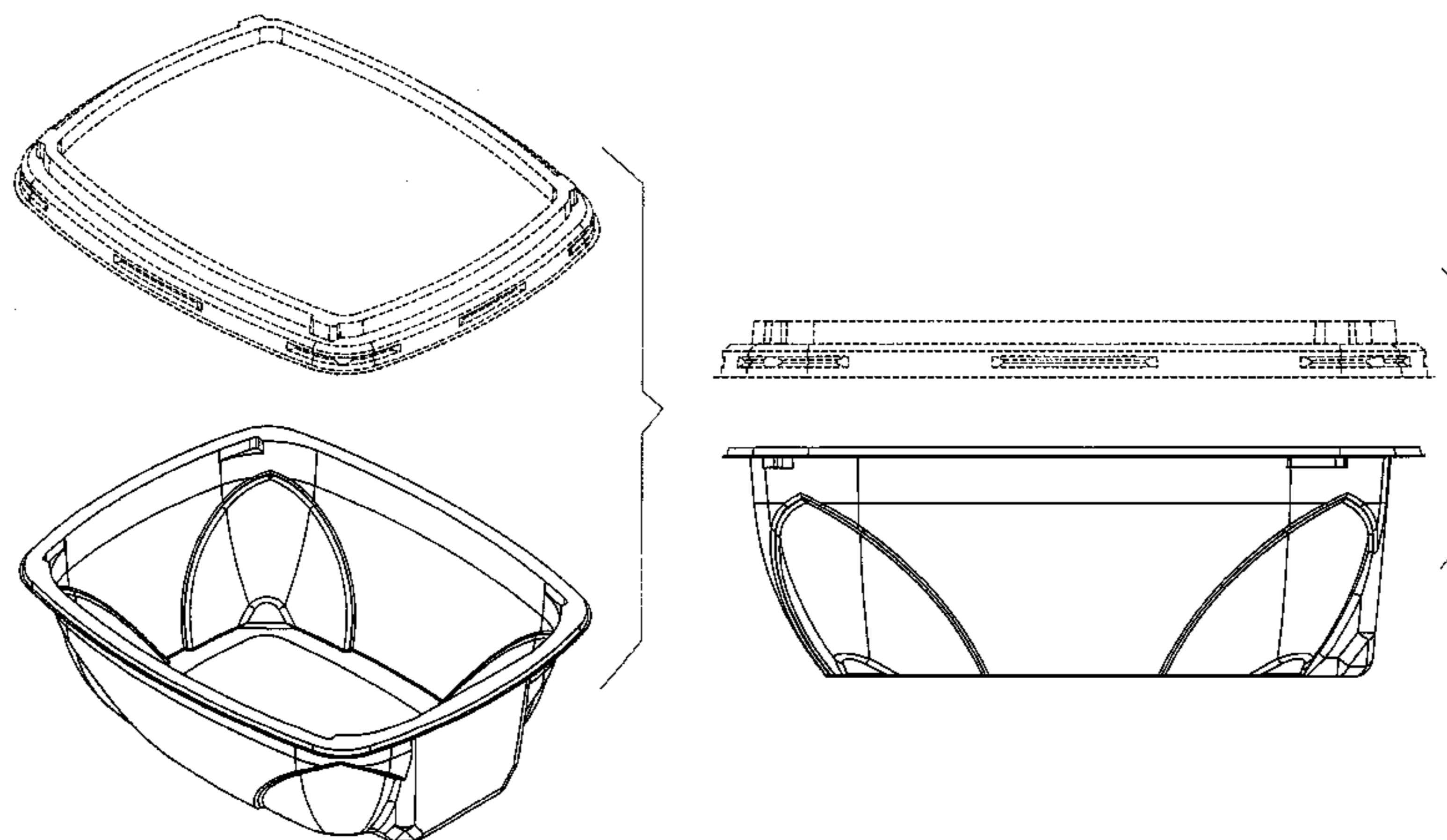
(57) **CLAIM**

The ornamental design for a food container, as shown and described.

DESCRIPTION

FIG. 1 is a top perspective view of the present invention;
FIG. 2 is a top elevational view of the present invention;
FIG. 3 is a bottom elevational view of the present invention;
FIG. 4 is a front elevational view of the present invention;
FIG. 5 is a back elevational view of the present invention;
FIG. 6 is a left elevational view of the present invention; and,
FIG. 7 is a right elevational view of the present invention.
The broken lines show an unclaimed lid.

1 Claim, 7 Drawing Sheets



US D588,451 S

Page 2

U.S. PATENT DOCUMENTS

D357,161 S	4/1995	Booten	D479,401 S	9/2003	Claypool
5,409,126 A	4/1995	DeMars	D479,442 S	9/2003	Bergas
D365,251 S	12/1995	Lo	D479,673 S	9/2003	Kim
D366,397 S	1/1996	Zimmerman	D479,954 S	9/2003	Kim
D367,211 S	2/1996	Cautereels	D480,929 S	10/2003	Douglas
D367,609 S	3/1996	Frank et al.	D481,910 S	11/2003	Kim
D372,174 S	7/1996	Arduini	D483,622 S	12/2003	Kim
D373,953 S	9/1996	Gale	D484,367 S	12/2003	Kim
D377,739 S	2/1997	Carlson	D490,278 S	5/2004	Welsh
D378,039 S	2/1997	Ferris	D496,560 S	9/2004	Lerner
D379,138 S	5/1997	Carlson	D505,840 S	6/2005	Schultz et al.
D380,349 S	7/1997	Indekeu	D509,111 S	9/2005	Vovan
D381,560 S	7/1997	Indekeu	D509,411 S	9/2005	Laib et al.
D384,247 S	9/1997	Smith et al.	D509,995 S	9/2005	Laib et al.
D386,042 S	11/1997	Miller	D511,942 S	11/2005	Laib et al.
D392,881 S	3/1998	Bulcher et al.	D513,376 S	1/2006	Shannon
D403,924 S	1/1999	Carlson	D521,812 S	5/2006	Kim
D415,935 S	11/1999	Martinez	D526,857 S	8/2006	Littmann
D418,415 S	1/2000	Hayes et al.	D529,798 S	10/2006	Snedden et al.
D418,716 S	1/2000	Haley	D530,198 S	10/2006	Snedden et al.
D420,859 S	2/2000	Loew et al.	D533,080 S	12/2006	Darin
D428,310 S	7/2000	Zettle et al.	D534,039 S *	12/2006	Laib et al. D7/565
D437,685 S	2/2001	Liu	D539,100 S	3/2007	Zhao
D440,470 S	4/2001	Tucker et al.	D540,192 S	4/2007	Darin
D443,184 S	6/2001	Maxwell et al.	D541,598 S	5/2007	Kim
D443,798 S	6/2001	Tucker et al.	D544,762 S	6/2007	Zimmerman
D445,649 S	7/2001	Maxwell et al.	D546,632 S	7/2007	Oberloier
D446,085 S	8/2001	Dretzka	D551,515 S	9/2007	Ablo et al.
D449,495 S	10/2001	Tucker et al.	D553,444 S	10/2007	de Groote et al.
D455,321 S	4/2002	Jung et al.	D557,993 S	12/2007	Stamper et al.
D458,085 S	6/2002	Kim	D559,042 S	1/2008	de Groote et al.
D467,128 S	12/2002	Thonis et al.	D562,640 S	2/2008	Tucker et al.
D469,314 S	1/2003	Thonis et al.	D566,482 S	4/2008	Tucker et al.
D469,665 S	2/2003	Pettaweebuncha	D566,484 S	4/2008	George

* cited by examiner

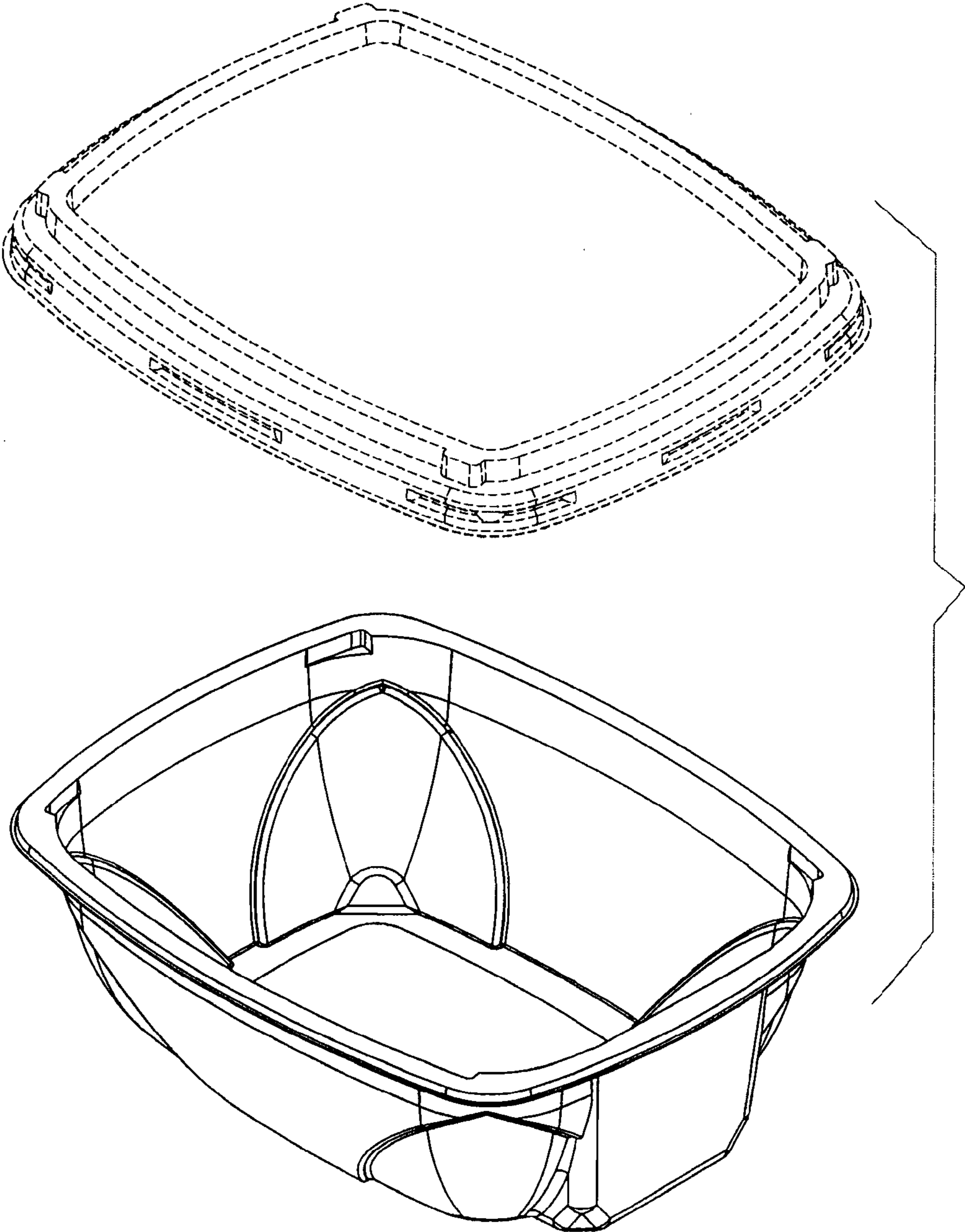


FIG. 1

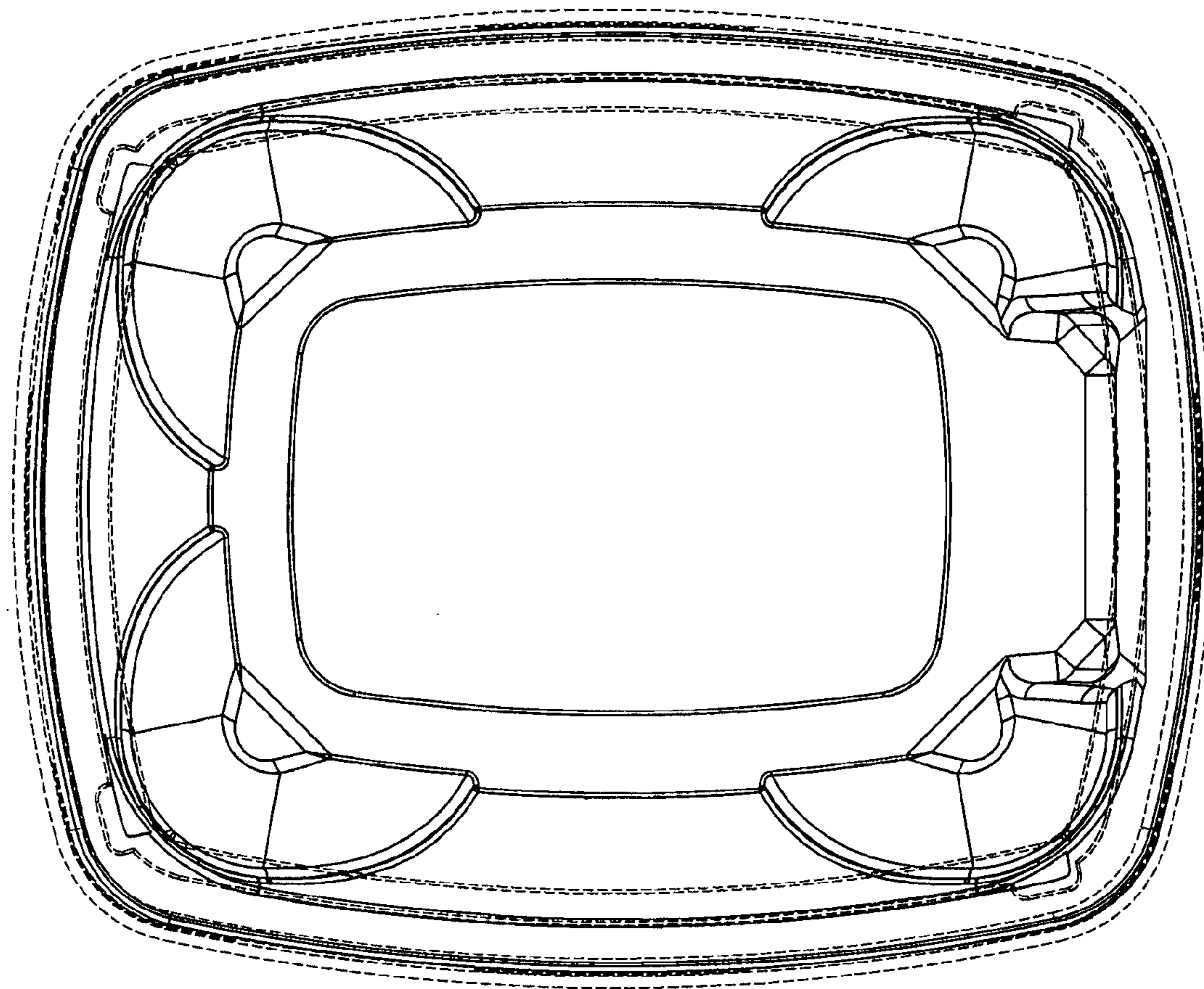


FIG. 2

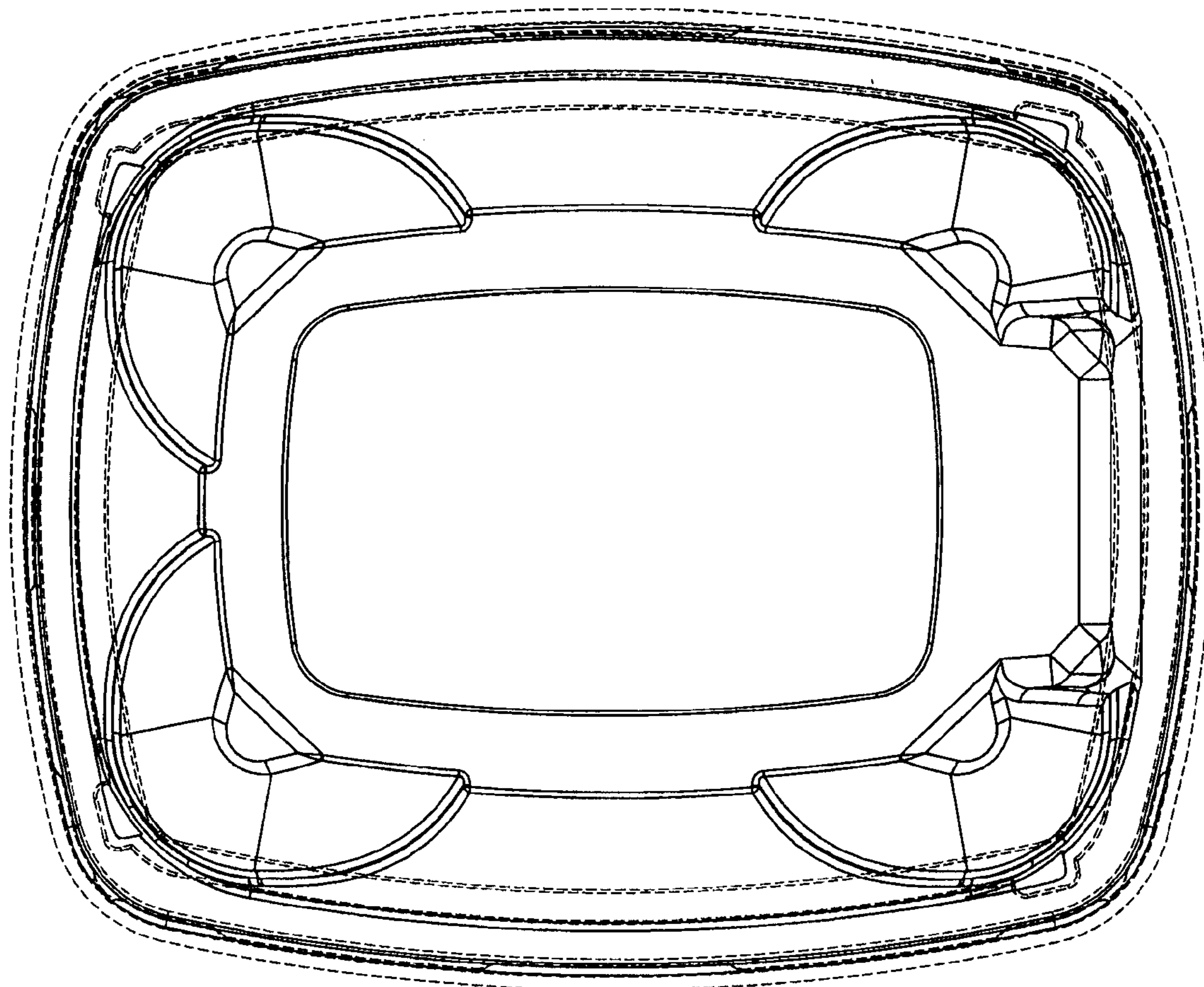


FIG. 3

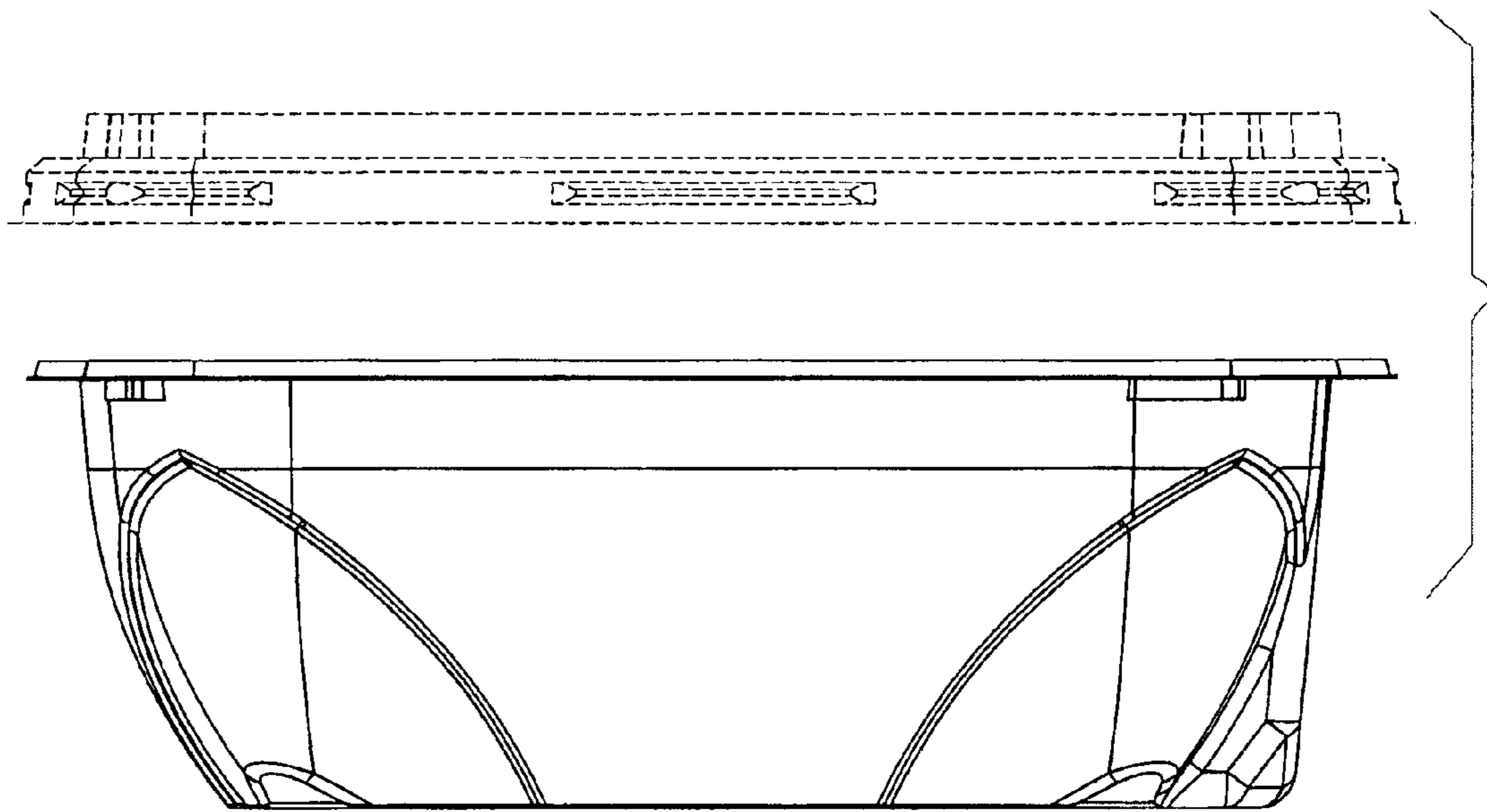


FIG. 4

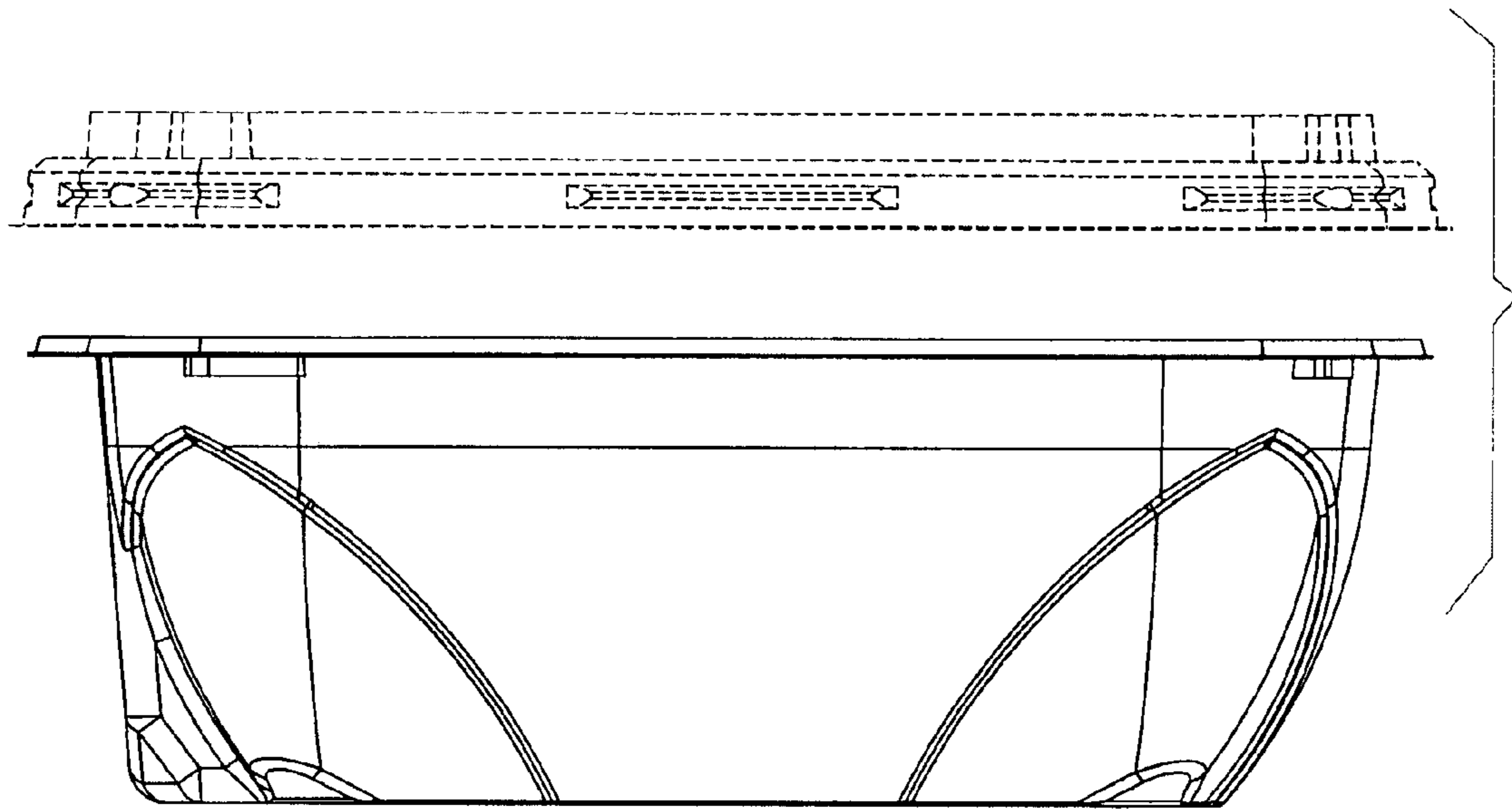


FIG. 5

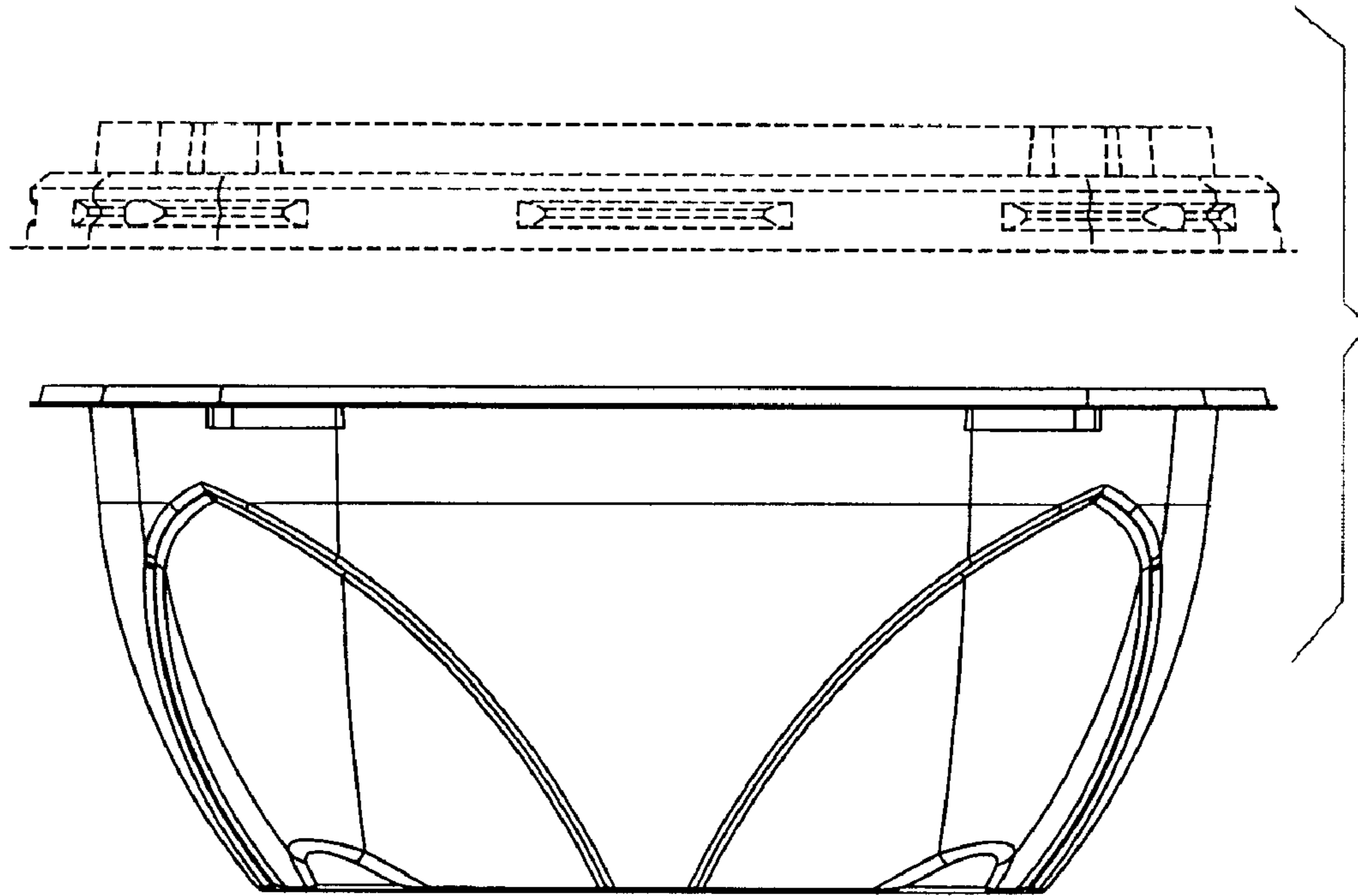


FIG. 6

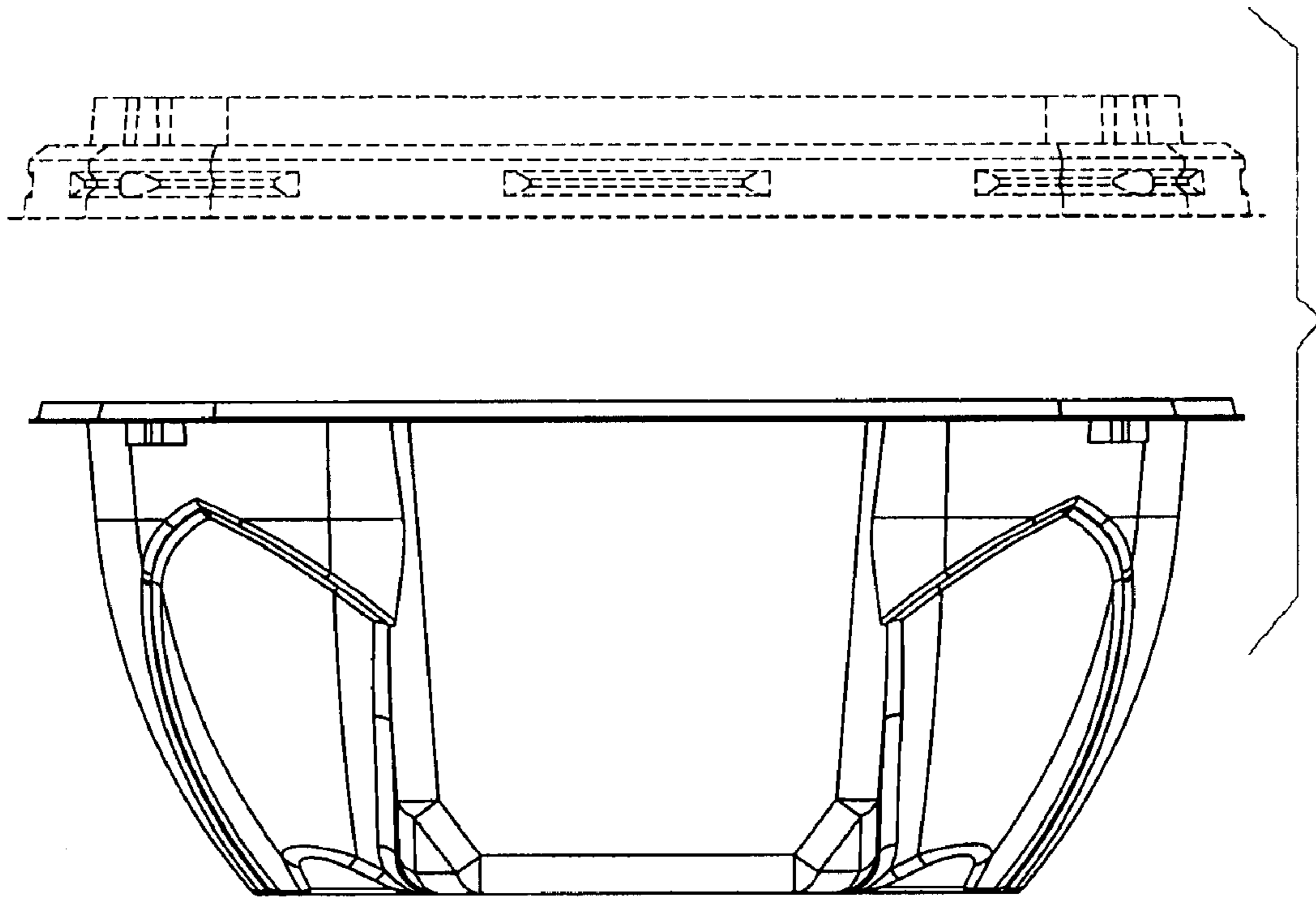


FIG. 7