



US00D588450S

(12) **United States Design Patent**  
**Snedden et al.**

(10) **Patent No.:** **US D588,450 S**  
(45) **Date of Patent:** **\*\* Mar. 17, 2009**

(54) **FOOD CONTAINER**

(75) Inventors: **Craig Richard Snedden**, Culver City, CA (US); **Gandhi Bonergue Sifuentes**, Whittier, CA (US)

(73) Assignee: **Direct Pack, Inc.**, Sun Valley, CA (US)

(\*\*) Term: **14 Years**

(21) Appl. No.: **29/306,356**

(22) Filed: **Apr. 8, 2008**

(51) **LOC (9) Cl.** ..... **09-03**

(52) **U.S. Cl.** ..... **D9/424**

(58) **Field of Classification Search** ..... D9/424, D9/414, 418, 420-423, 425, 430, 432; D3/273; D7/550.1, 601, 602, 629; 206/216, 457, 206/508, 541, 557, 815, 822; 220/213, 376, 220/601, 669, 674, 675, 783, 789, 790, 796, 220/797; 229/116.1, 229.406, 407, 902, 229/903, 904, 905, 906, 938; 426/106

See application file for complete search history.

D254,166 S 2/1980 Christian  
 4,197,940 A 4/1980 DeRossett  
 4,219,119 A 8/1980 Zefran  
 4,412,630 A 11/1983 Daenen  
 D272,029 S 1/1984 Grusin  
 D272,595 S 2/1984 Chase et al.  
 4,461,790 A 7/1984 Snider  
 D282,808 S 3/1986 Daenen et al.  
 D284,253 S 6/1986 Carlson  
 D285,159 S 8/1986 Wexler  
 D307,227 S 4/1990 Sibilio et al.  
 D313,556 S \* 1/1991 Smith ..... D9/425  
 D314,704 S 2/1991 Lillelund et al.  
 D320,558 S 10/1991 Timm  
 D324,997 S 3/1992 Jones  
 D329,782 S 9/1992 Narsutis  
 D330,311 S 10/1992 Narsutis  
 D330,312 S 10/1992 Narsutis

(Continued)

*Primary Examiner*—Stella M Reid  
*Assistant Examiner*—Derrick Holland  
 (74) *Attorney, Agent, or Firm*—Frost Brown Todd LLC

(56) **References Cited**

U.S. PATENT DOCUMENTS

D195,375 S \* 6/1963 Bostrom ..... D9/425  
 3,384,263 A 5/1968 Bernstein  
 3,394,861 A 7/1968 Truax  
 3,424,342 A 1/1969 Scopp et al.  
 3,487,972 A 1/1970 Swett  
 3,511,288 A 5/1970 Swett et al.  
 3,512,697 A 5/1970 Robinson  
 3,653,577 A 4/1972 Wyner  
 3,688,939 A 9/1972 Beckers  
 3,736,214 A 5/1973 McBirnie  
 D242,974 S 1/1977 Hazzard  
 D243,914 S 4/1977 Marubashi et al.  
 4,027,778 A 6/1977 Tupper  
 D246,289 S \* 11/1977 Boucher ..... D9/426  
 D250,092 S 10/1978 Schoenfield et al.  
 D252,178 S 6/1979 Christian

(57) **CLAIM**

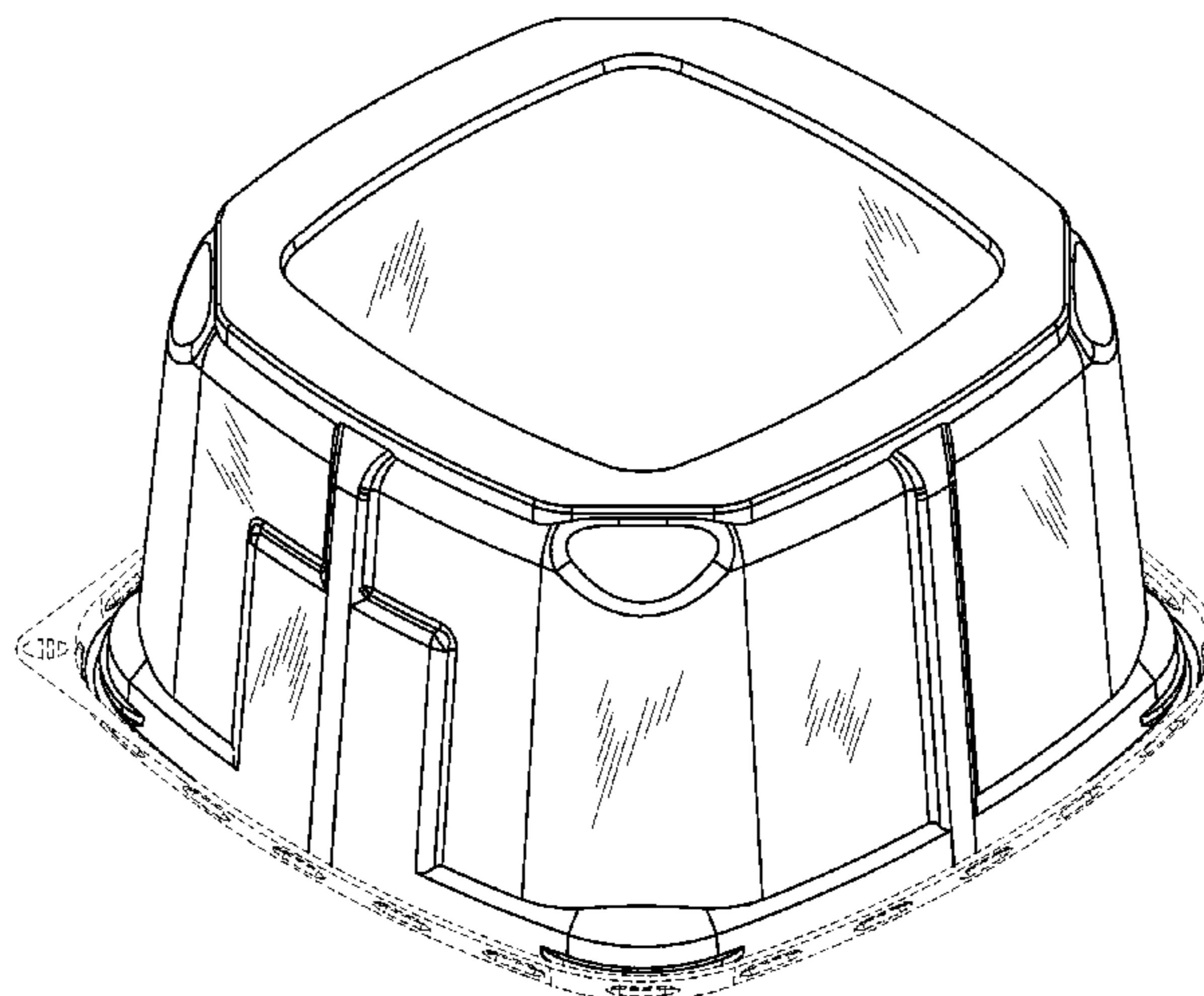
The ornamental design for a food container, as shown and described.

**DESCRIPTION**

FIG. 1 is a top perspective view of a food container showing our new design;  
 FIG. 2 is a top plan view thereof;  
 FIG. 3 is a front elevational view thereof;  
 FIG. 4 is a bottom plan view thereof;  
 FIG. 5 is a right elevational view thereof;  
 FIG. 6 is a left elevational view thereof; and,  
 FIG. 7 is a back elevational view thereof.

The lid shown in broken lines is unclaimed environment, and forms no part of the claimed design.

**1 Claim, 7 Drawing Sheets**



# US D588,450 S

Page 2

## U.S. PATENT DOCUMENTS

D332,897 S	2/1993	Bucher et al.	D429,446 S	8/2000	Toussant et al.
D333,410 S	2/1993	Panzarello	D429,965 S	8/2000	Hayes et al.
D334,113 S	3/1993	Lewis et al.	D440,829 S	4/2001	Brown
D334,114 S	3/1993	Narsutis	D443,484 S	6/2001	Maxwell et al.
5,204,130 A *	4/1993	McDevitt et al. .... 426/115	D445,310 S	7/2001	Brown
D336,017 S	6/1993	Smith et al.	D445,650 S	7/2001	Maxwell et al.
D336,018 S	6/1993	Smith et al.	D445,689 S	7/2001	McCutchan
D338,373 S	8/1993	Sun	D446,083 S	8/2001	Marsh et al.
D340,625 S	10/1993	Wang	D446,084 S	8/2001	Schulein
D344,660 S	3/1994	Krupa	D449,495 S	10/2001	Tucker et al.
D345,716 S	4/1994	Kwiatkowski	D450,580 S	11/2001	Littlejohn et al.
D348,805 S	7/1994	Cautereels	D462,880 S	9/2002	Maxwell et al.
D353,521 S	12/1994	Booten	D479,951 S	9/2003	Segura
D354,435 S *	1/1995	Krupa ..... D9/423	D479,952 S	9/2003	Zimmerman
D354,436 S *	1/1995	Krupa ..... D9/423	6,666,348 B2 *	12/2003	Fore et al. .... 220/4.21
D358,302 S	5/1995	Van Valkenburg et al.	D485,473 S	1/2004	Dais et al.
D366,989 S	2/1996	Zimmerman	D488,031 S	4/2004	Kim
D367,589 S	3/1996	Zimmerman	D496,832 S	10/2004	Ekhtebar
D367,996 S	3/1996	Rausch	D501,368 S	2/2005	Roth et al.
D371,938 S	7/1996	Davis	D501,764 S	2/2005	Lerner
D378,563 S	3/1997	Ferris	D502,096 S *	2/2005	Wilcock et al. .... D9/425
D394,189 S	5/1998	Reynaert et al.	D503,872 S	4/2005	Armato
D395,822 S	7/1998	Keal et al.	6,892,883 B1	5/2005	Brumfield et al.
D400,394 S	11/1998	Banach et al.	D505,835 S	6/2005	Schultz et al.
D404,262 S	1/1999	McGill	D511,074 S	11/2005	Claypool et al.
5,855,288 A *	1/1999	Dallas, Jr. .... 215/228	D511,437 S	11/2005	Brown
D408,734 S *	4/1999	McCann ..... D9/423	D522,809 S	6/2006	Kusuma et al.
D411,741 S	6/1999	Wilson et al.	D523,287 S	6/2006	Hayes et al.
D415,025 S	10/1999	McCann	D523,296 S	6/2006	Kim
D415,420 S	10/1999	Chen	D533,451 S *	12/2006	McCumber ..... D9/435
D417,847 S	12/1999	Rush et al.	D546,632 S	7/2007	Oberloier
D419,067 S *	1/2000	Guillin ..... D9/430	7,261,219 B2 *	8/2007	Tucker et al. .... 220/793
D419,829 S	2/2000	Wilson et al.	D550,514 S	9/2007	Chiang et al.
D420,859 S	2/2000	Loew et al.	D552,423 S	10/2007	Friedland et al.
D428,777 S	8/2000	Hayes et al.	D557,569 S	12/2007	Stamper et al.
D429,150 S	8/2000	Lindsay et al.			

\* cited by examiner

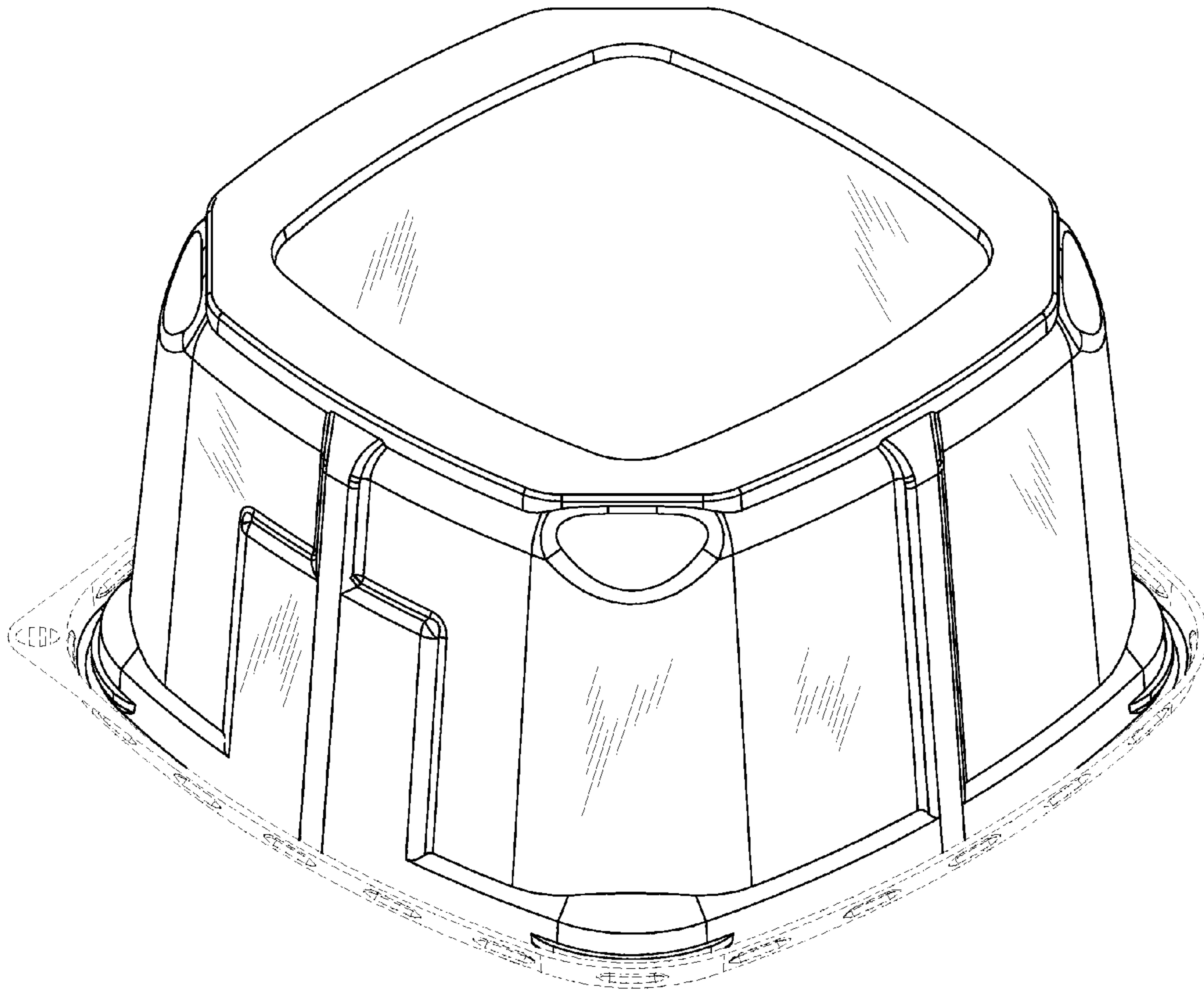


FIG. 1

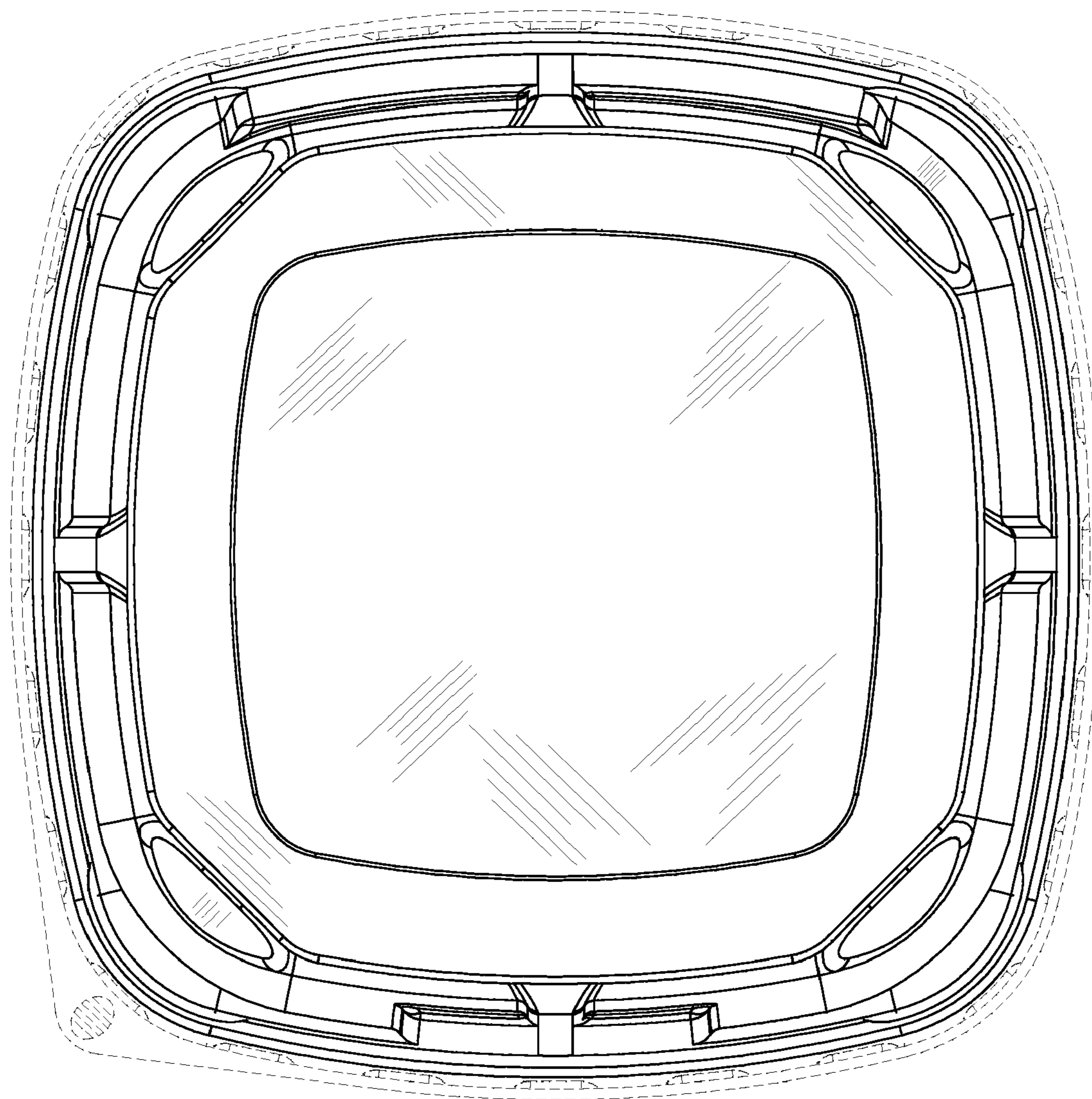


FIG. 2

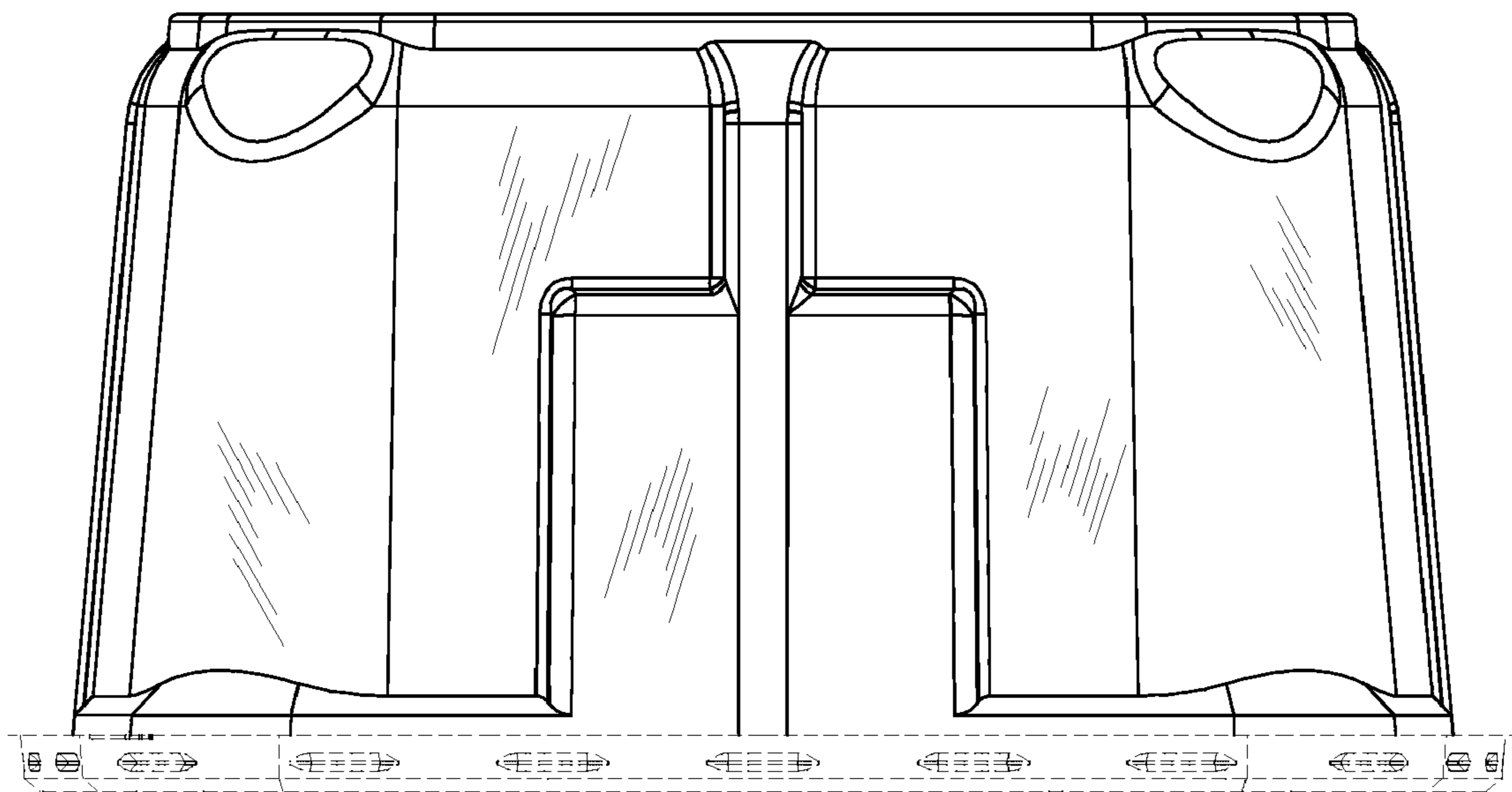


FIG. 3

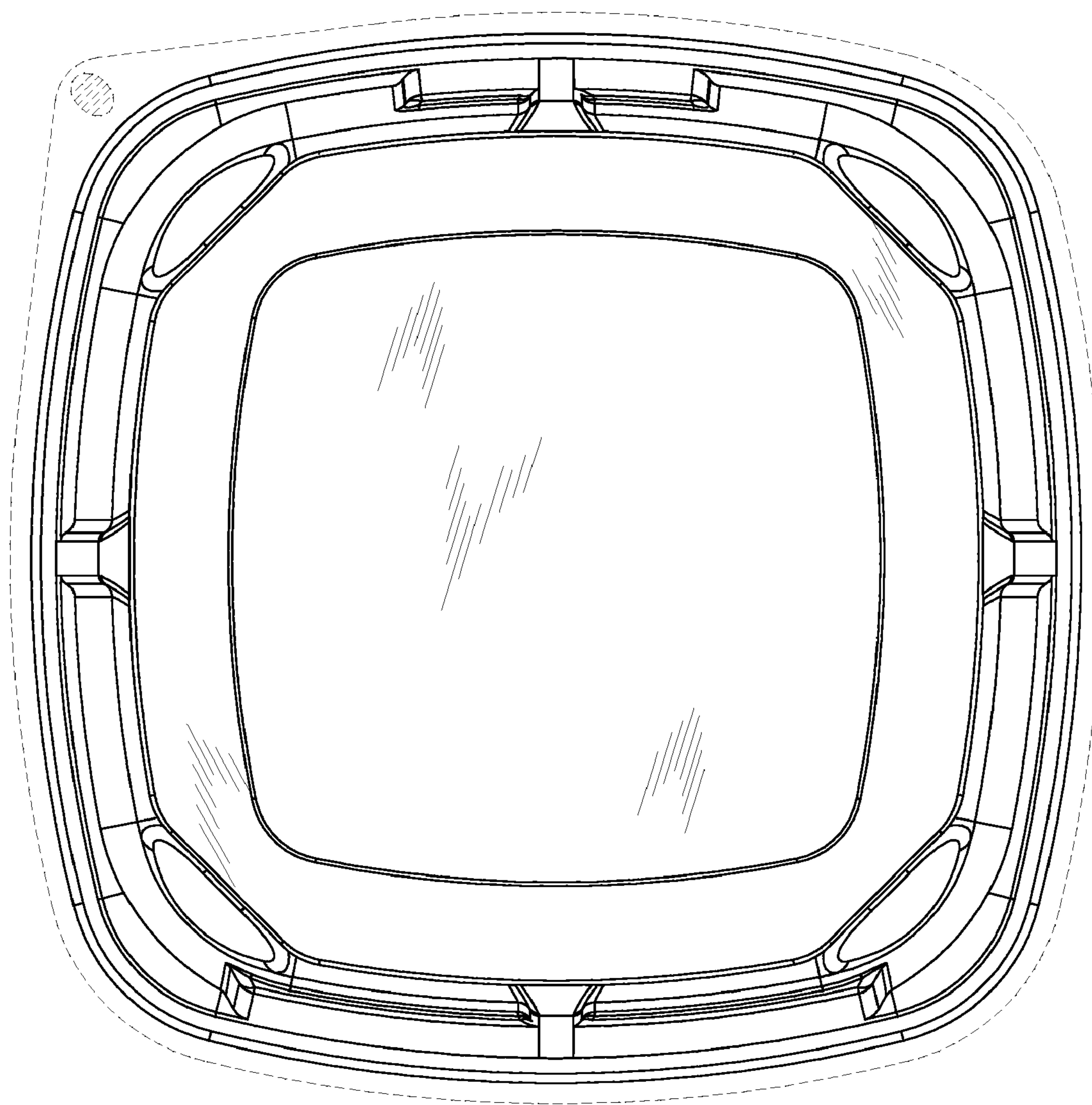


FIG. 4

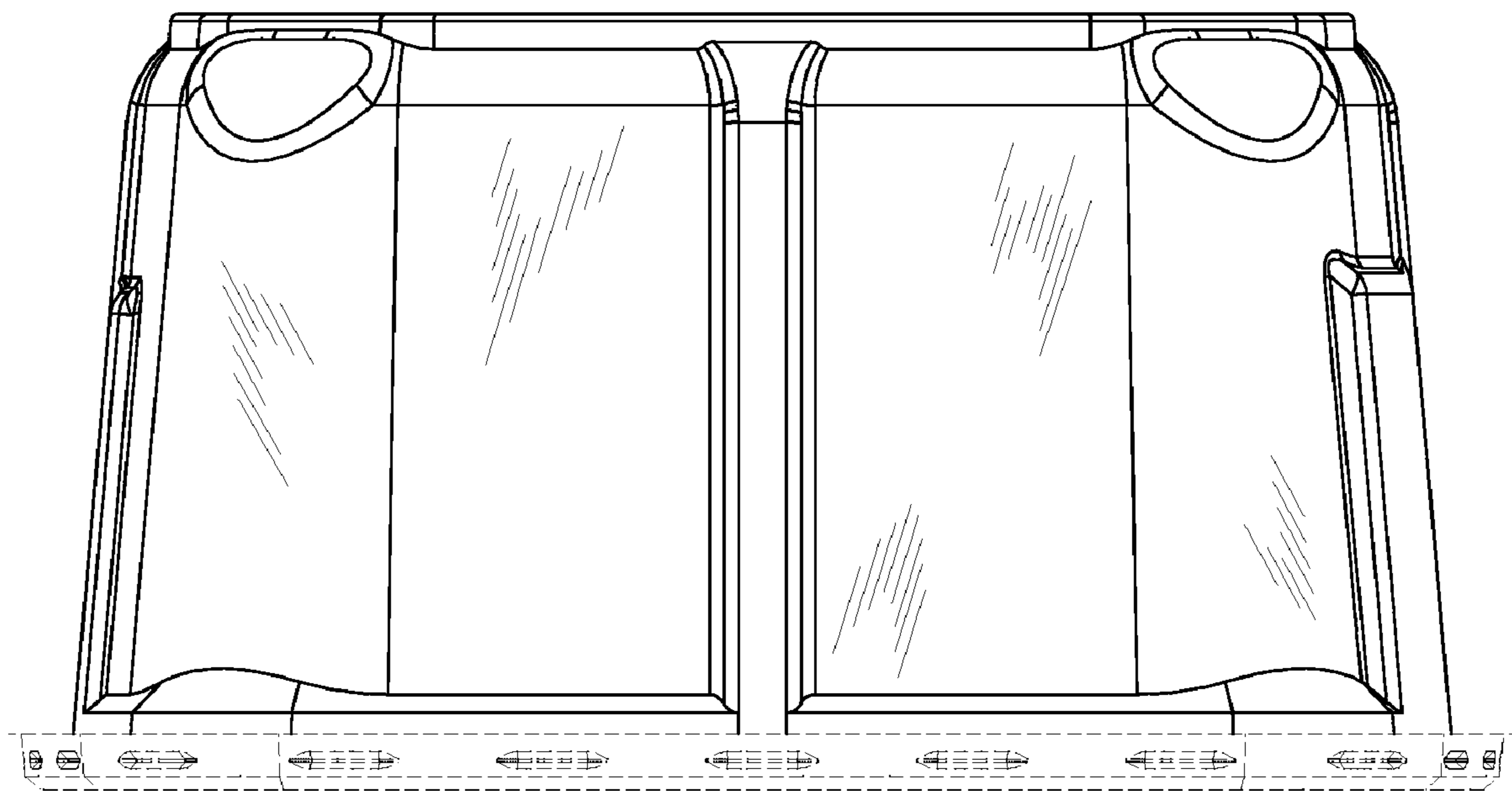


FIG. 5

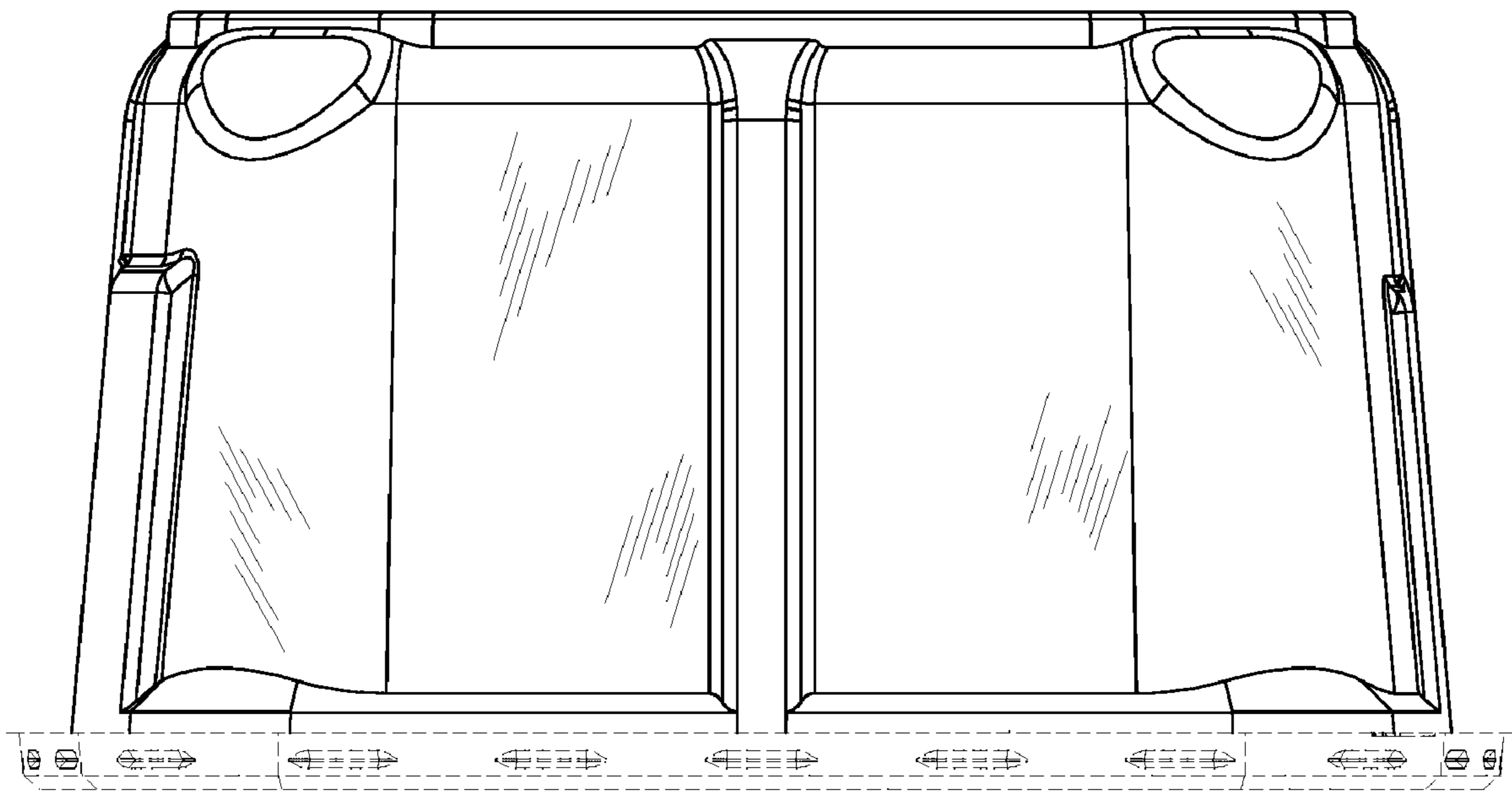


FIG. 6



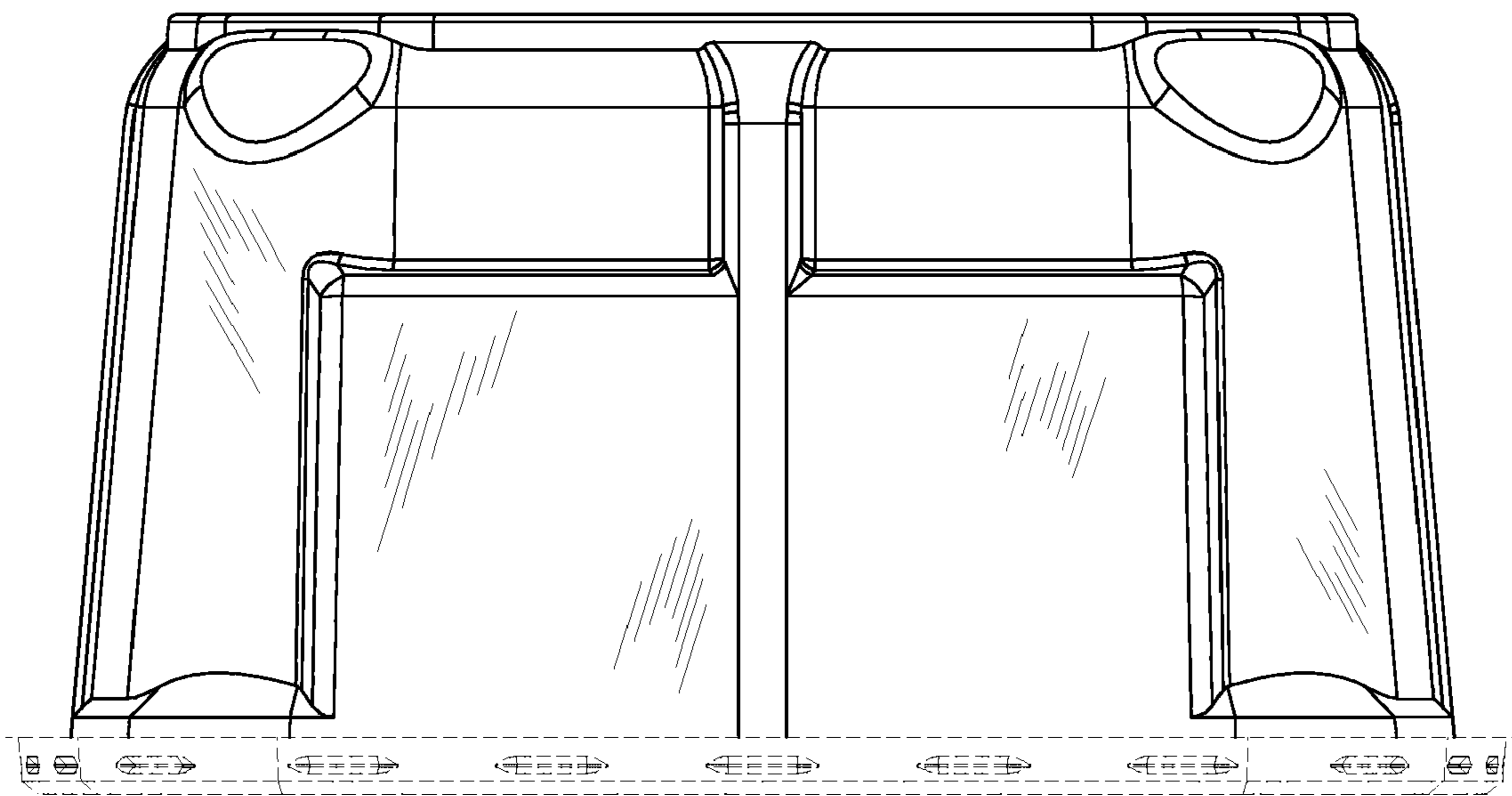


FIG. 7