



US00D588447S

(12) **United States Design Patent**
Wakabayashi

(10) **Patent No.:** **US D588,447 S**
(45) **Date of Patent:** **** Mar. 17, 2009**

(54) **BAND CLIP**

(75) Inventor: **Yasuki Wakabayashi**, Yokohama (JP)

(73) Assignee: **Kabushiki Kaisha Piolax** (JP)

(**) Term: **14 Years**

(21) Appl. No.: **29/285,881**

(22) Filed: **Apr. 13, 2007**

(30) **Foreign Application Priority Data**

Oct. 13, 2006 (JP) 2006-027760

(51) **LOC (9) Cl.** **08-08**

(52) **U.S. Cl.** **D8/394**; D8/396

(58) **Field of Classification Search** D8/356,
D8/383, 394-396; 24/16 PB, 17 A, 30.5 P,
24/30.5 S, 300-302, 339, DIG. 16; 248/58,
248/60, 74.3; 70/16; 128/878

See application file for complete search history.

(56) **References Cited**

U.S. PATENT DOCUMENTS

- 4,735,387 A * 4/1988 Hirano et al. 248/71
- D305,099 S * 12/1989 Naruse et al. D8/396
- 4,944,475 A * 7/1990 Ono et al. 248/71
- 5,231,246 A * 7/1993 Benson et al. 174/351
- D372,665 S * 8/1996 Kim D8/396
- 5,601,261 A * 2/1997 Koike 248/71
- 5,957,165 A * 9/1999 Watanabe et al. 140/123.6
- D471,435 S * 3/2003 Krisel et al. D8/396
- D520,865 S * 5/2006 Wakabayashi D8/396

- 7,229,052 B2 * 6/2007 Takeuchi 248/71
- 2004/0182973 A1 * 9/2004 Kawai 248/71
- 2006/0180718 A1 * 8/2006 Harrison, Jr. 248/74.2

* cited by examiner

Primary Examiner—T. Chase Nelson

Assistant Examiner—John Windmuller

(74) *Attorney, Agent, or Firm*—SAIDMAN DesignLaw Group

(57) **CLAIM**

The ornamental design for a band clip, as shown and described.

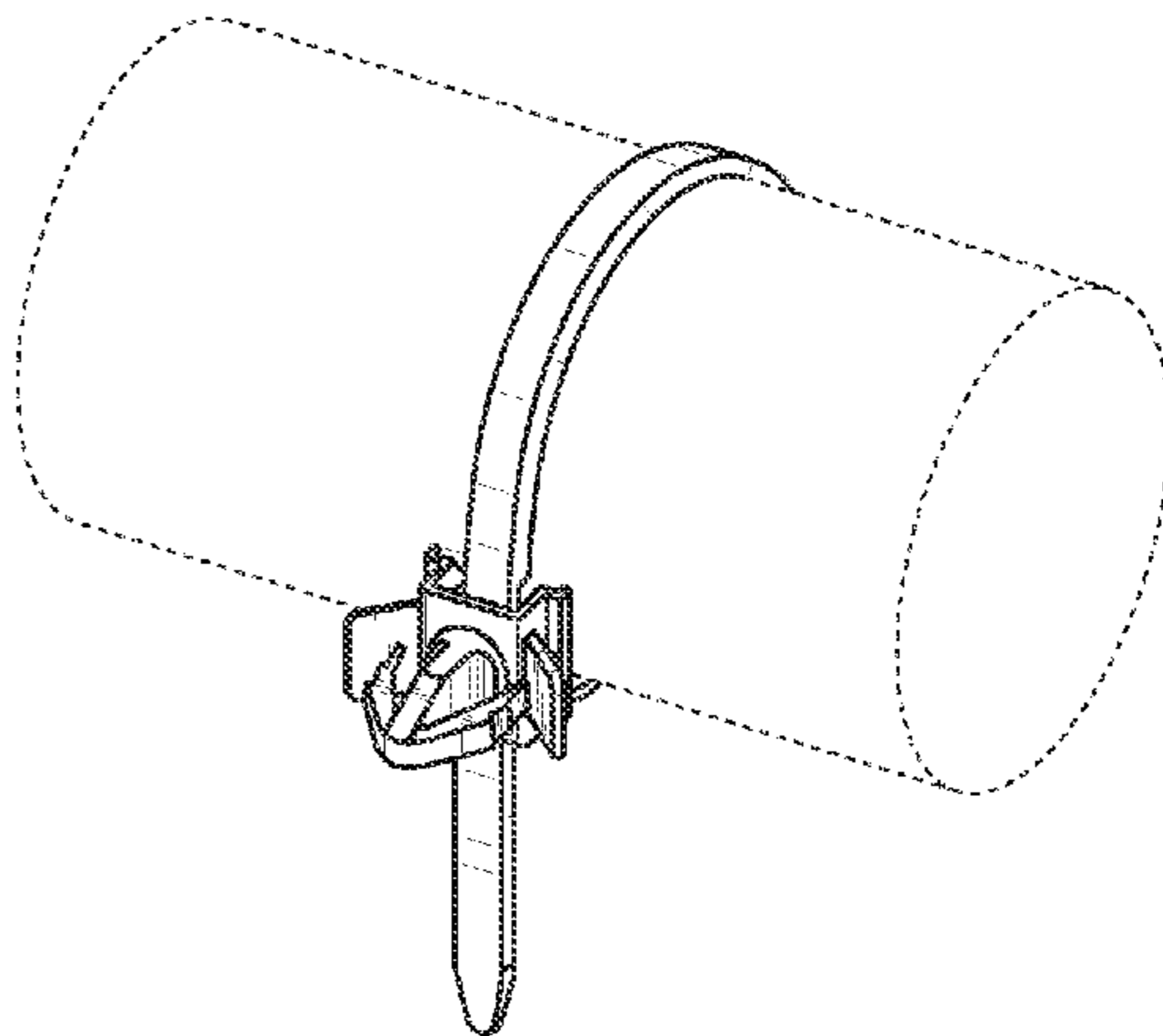
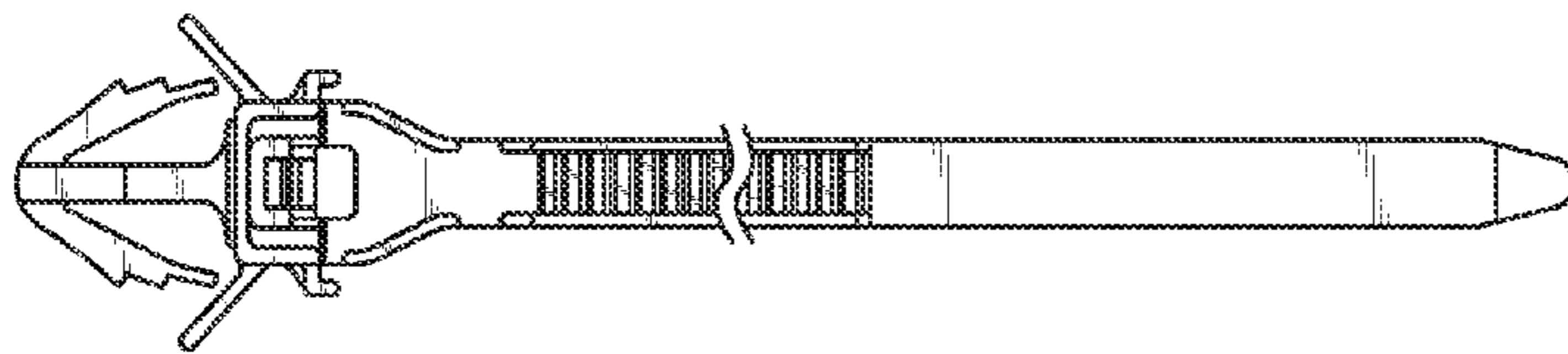
DESCRIPTION

FIG. 1 is a front view of a band clip showing my new design;
 FIG. 2 is a top view thereof;
 FIG. 3 is a bottom view thereof;
 FIG. 4 is a right-side view thereof;
 FIG. 5 is a left-side view thereof;
 FIG. 6 is a sectional view thereof taken along line 6—6 of FIG. 2; and,
 FIG. 7 is a reference view thereof showing the band clip in actual use.

The portions of the band clip shown in broken lines form no part of the claimed design.

The band clip is shown broken away in the middle to indicate it has no specific length.

1 Claim, 2 Drawing Sheets



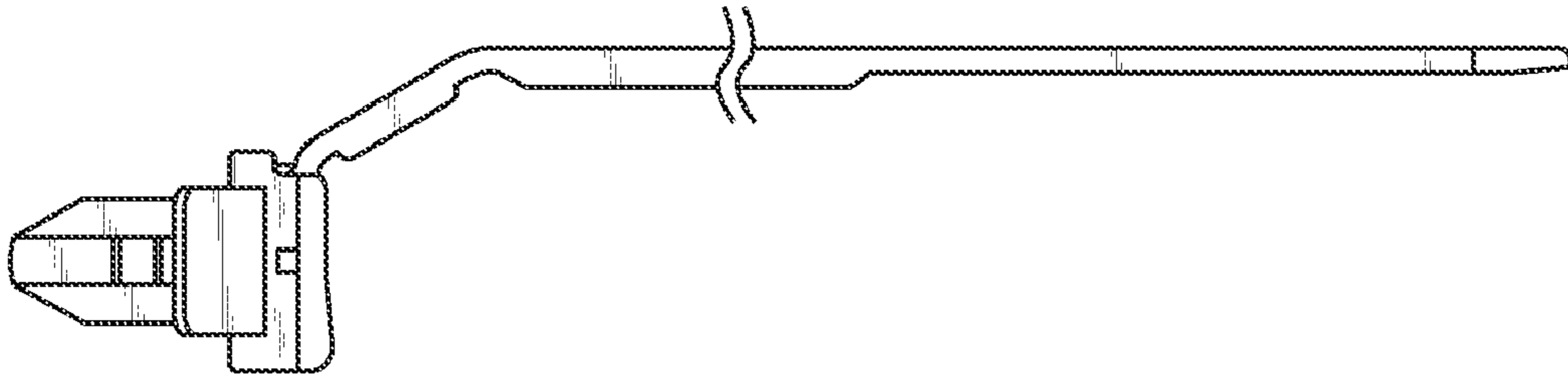


Fig. 1

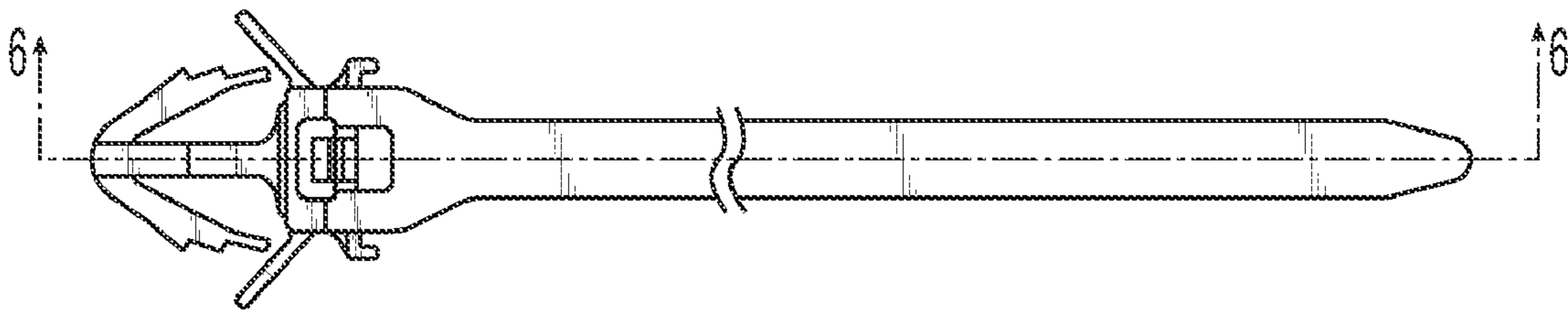


Fig. 2

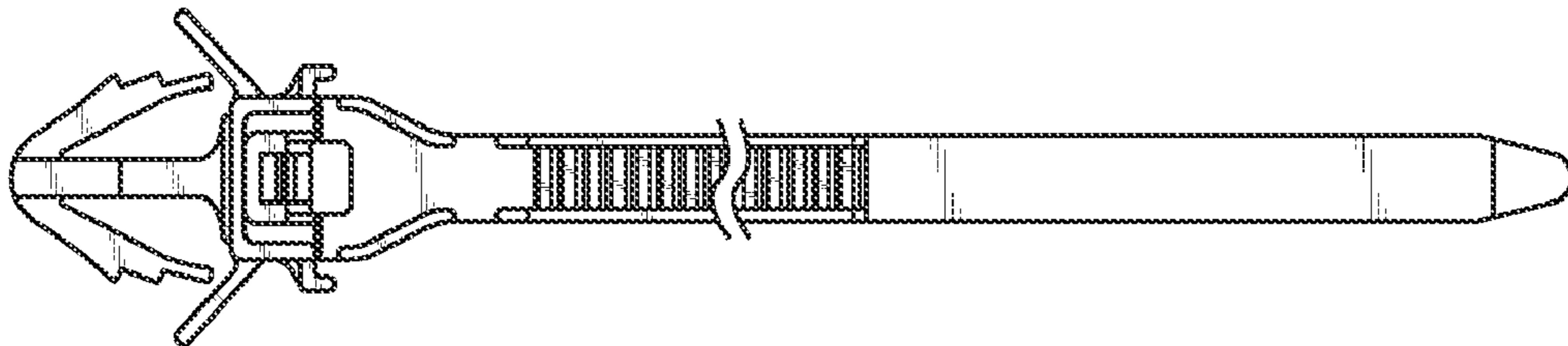


Fig. 3

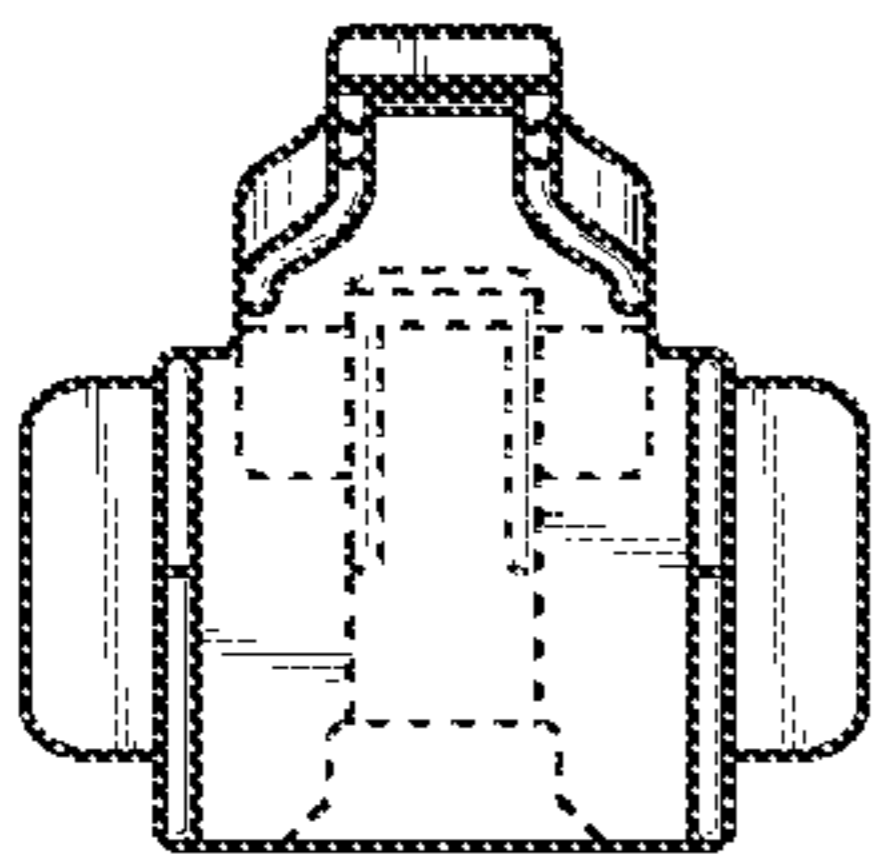


Fig. 4

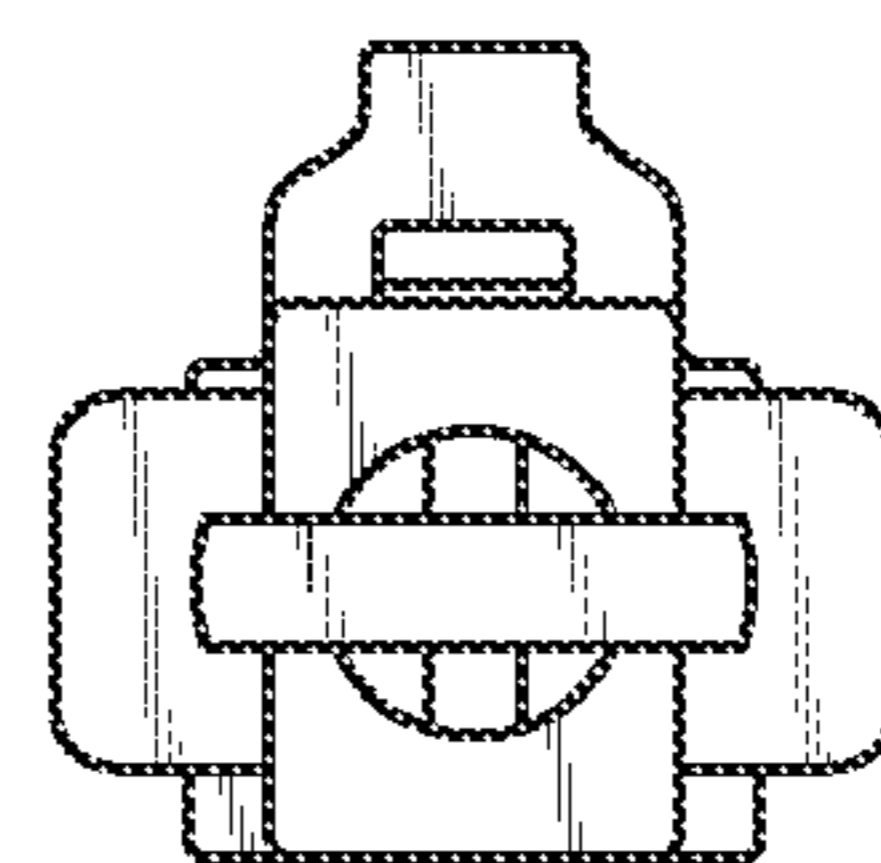


Fig. 5

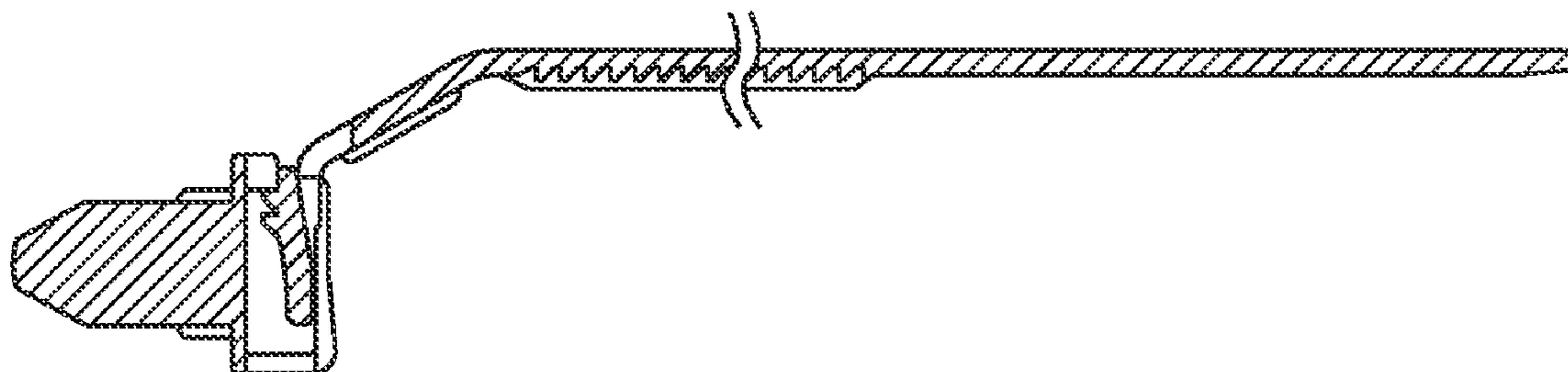


Fig. 6

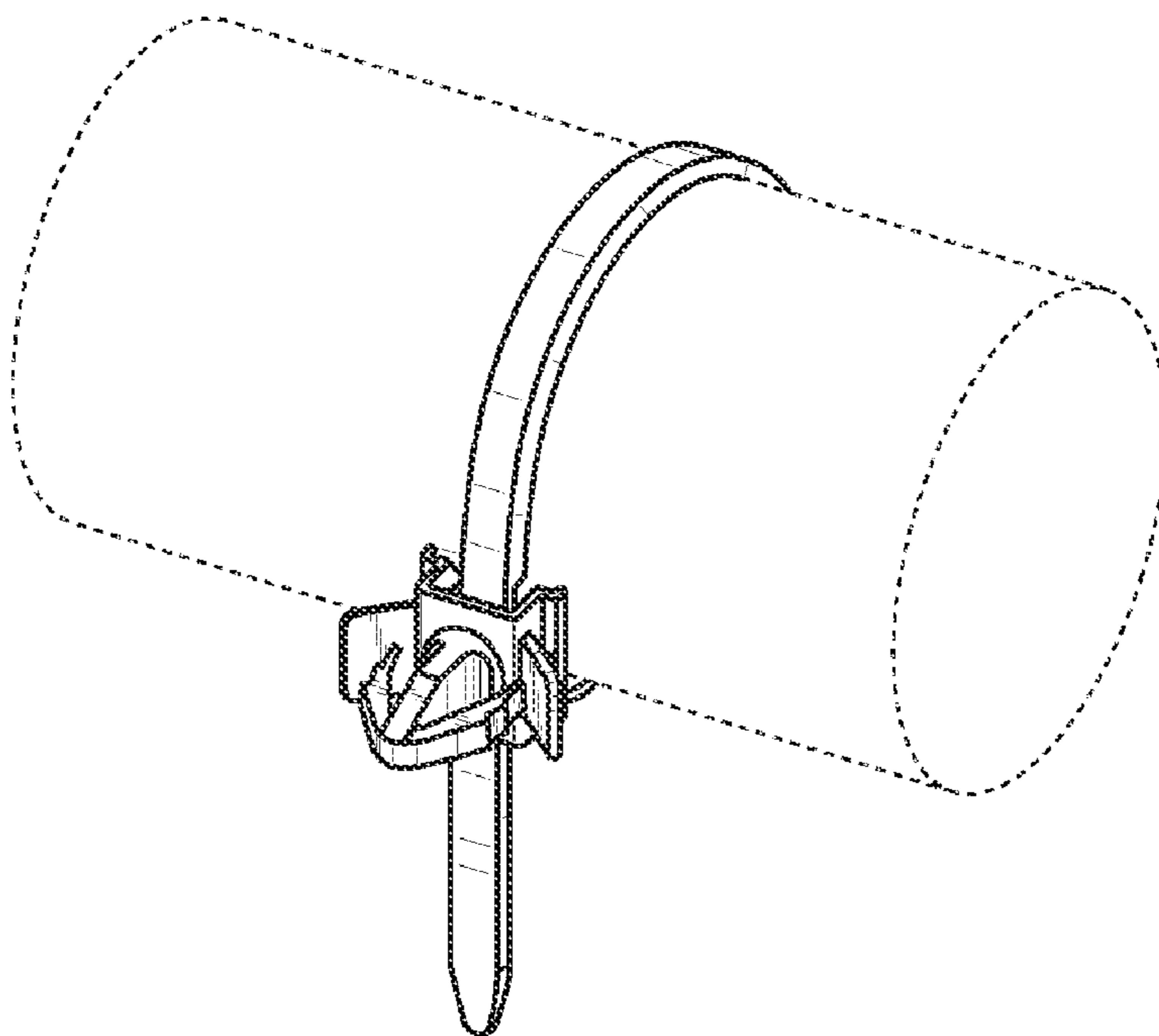


Fig. 7