



US00D588445S

(12) **United States Design Patent**  
**Holdsworth**

(10) **Patent No.:** **US D588,445 S**  
(45) **Date of Patent:** **\*\* Mar. 17, 2009**

(54) **COUPLER BODY FOR CONNECTING  
CONCRETE REINFORCING BARS**

5,193,932 A \* 3/1993 Wu ..... 403/307  
6,152,643 A \* 11/2000 Miller ..... 403/307  
7,118,299 B2 \* 10/2006 Gregel et al. .... 403/305  
D573,453 S \* 7/2008 Buckley ..... D8/382

(75) Inventor: **Steven E. Holdsworth**, Centerville, OH  
(US)

\* cited by examiner

(73) Assignee: **Barsplice Products, Inc.**, Dayton, OH  
(US)

*Primary Examiner*—Holly H Baynham  
*Assistant Examiner*—Sheryl Lane  
(74) *Attorney, Agent, or Firm*—Jacox, Meckstroth & Jenkins

(\*\*) Term: **14 Years**

(57) **CLAIM**

(21) Appl. No.: **29/293,491**

I claim the ornamental design for a coupler body for connect-  
ing concrete reinforcing bars, as shown and described.

(22) Filed: **Nov. 29, 2007**

(51) **LOC (9) Cl.** ..... **08-08**

(52) **U.S. Cl.** ..... **D8/382**

(58) **Field of Classification Search** ..... D8/382;  
403/305, 310, 307, 300

See application file for complete search history.

**DESCRIPTION**

FIG. 1 is a perspective view of a coupler body for connecting  
concrete reinforcing bars showing my new design;

FIG. 2 is a front view thereof;

FIG. 3 is a rear view thereof;

FIG. 4 is a side view thereof, the opposite side view being a  
mirror image;

FIG. 5 is a top view thereof; and,

FIG. 6 is a bottom view thereof.

(56) **References Cited**

U.S. PATENT DOCUMENTS

50,190 A \* 9/1865 Watson ..... 403/310  
1,000,149 A \* 8/1911 Bristol ..... 403/289  
1,378,015 A \* 5/1921 Erickson ..... 285/39  
4,799,844 A \* 1/1989 Chuang ..... 411/414

**1 Claim, 1 Drawing Sheet**

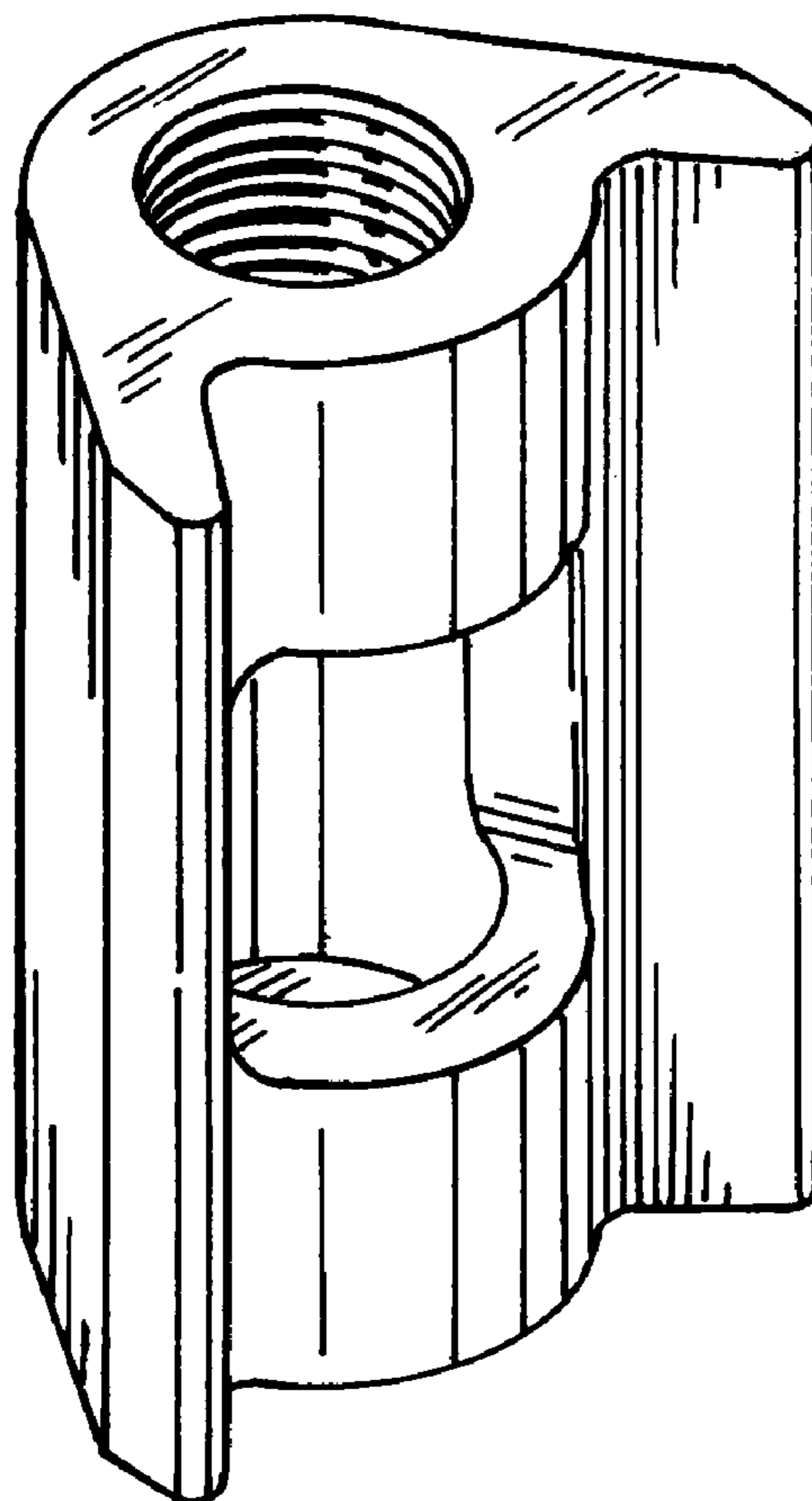


FIG-1



FIG-2

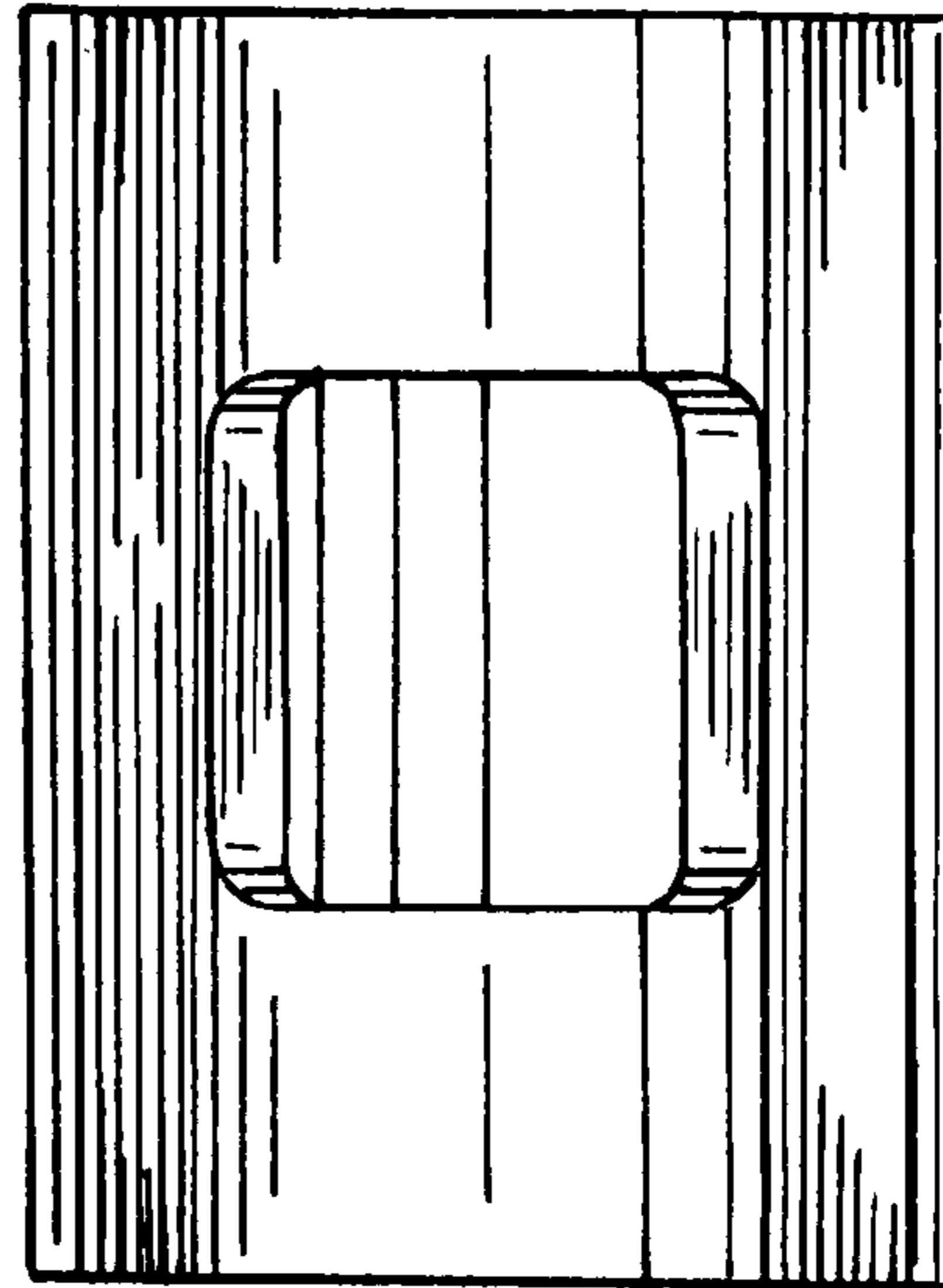


FIG-3

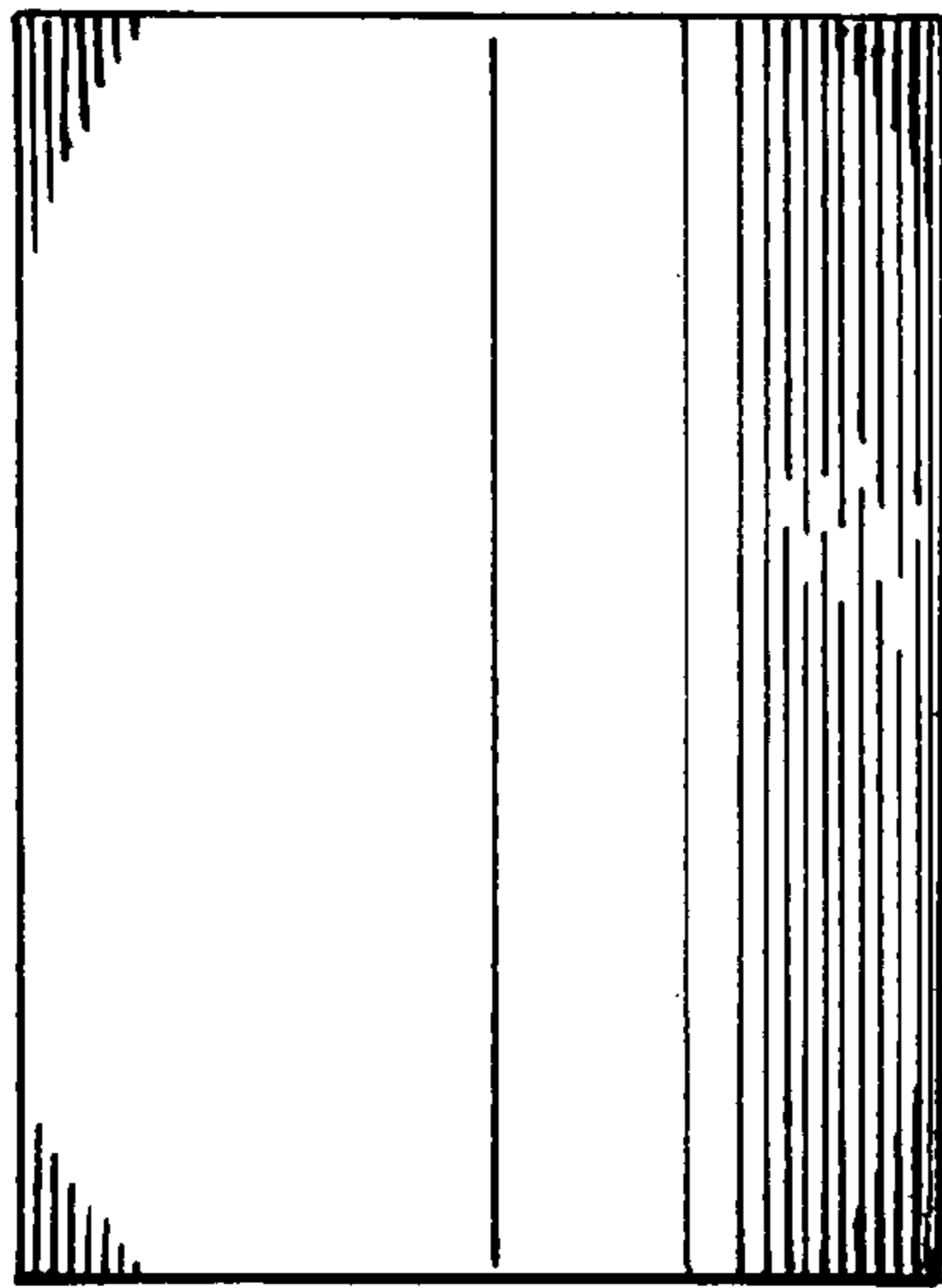


FIG-4

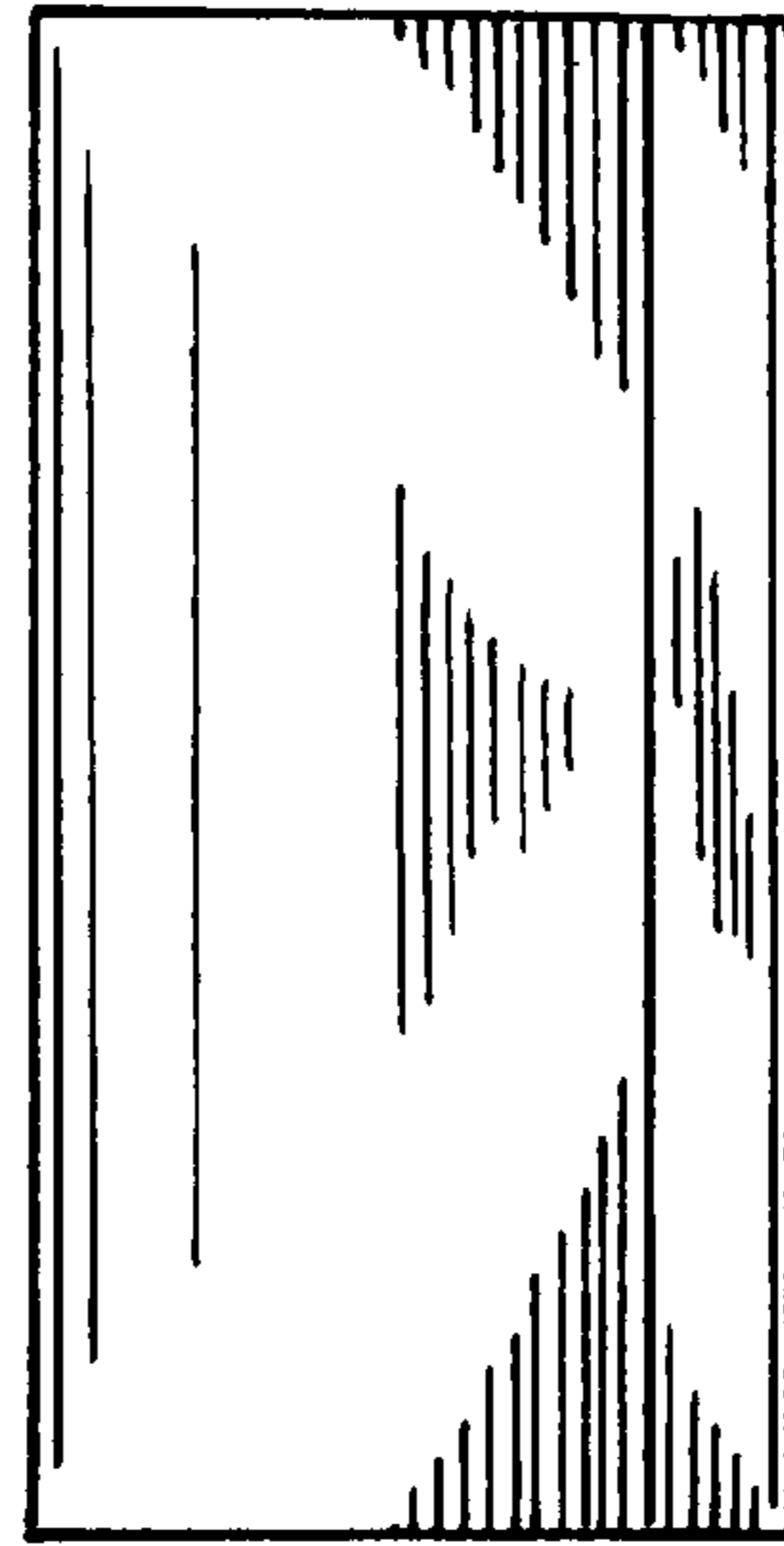


FIG-5

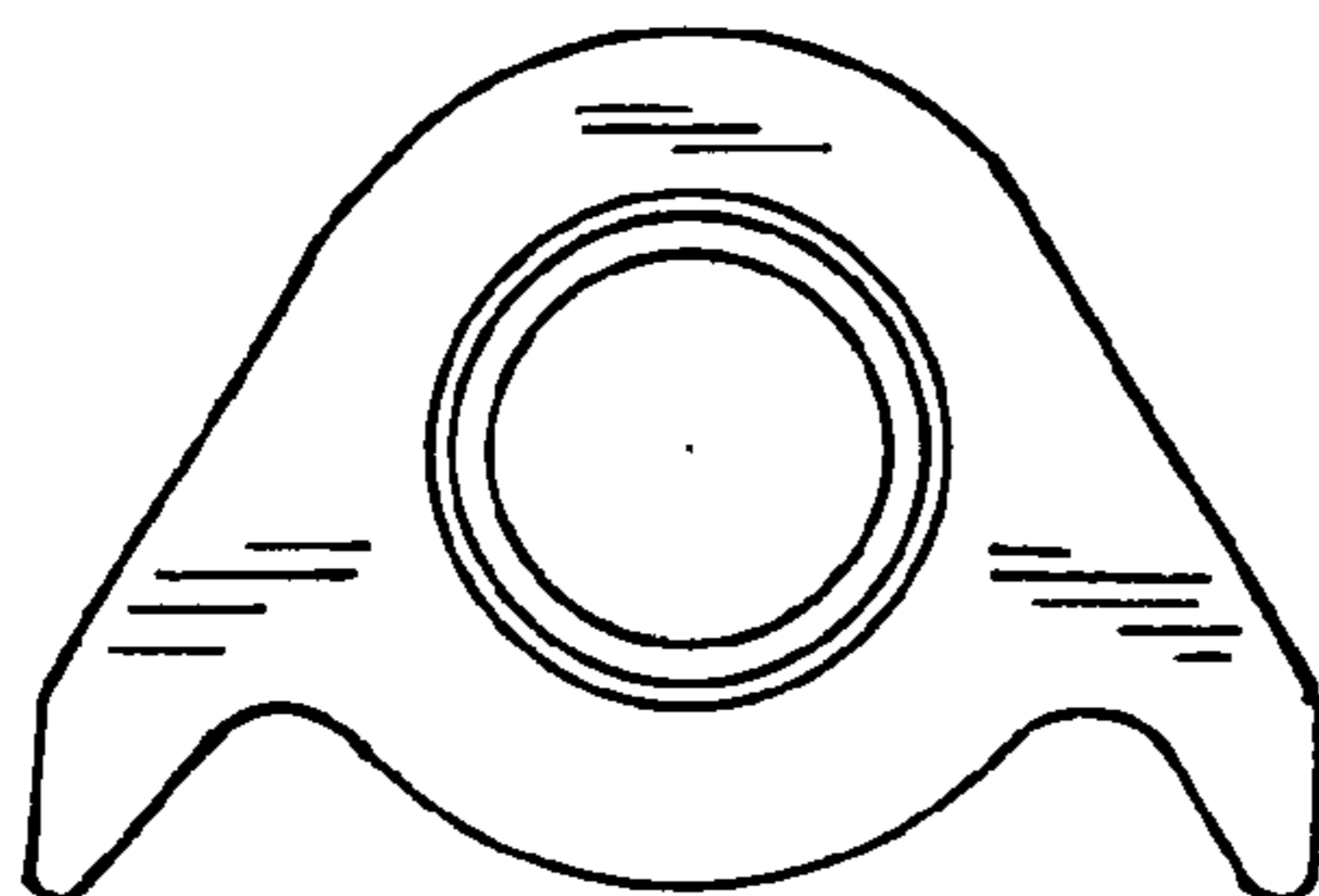


FIG-6

