



US00D588440S

(12) **United States Design Patent**
Antonic

(10) **Patent No.:** **US D588,440 S**
(45) **Date of Patent:** **** Mar. 17, 2009**

(54) **STUD MOUNT**

D297,502 S * 9/1988 Archambeau D8/71

(76) Inventor: **James P. Antonic**, 9111 Southmount
Cove, #406, Ft. Myers, FL (US) 33908

(Continued)

(**) Term: **14 Years**

OTHER PUBLICATIONS

(21) Appl. No.: **29/293,249**

U.S. Appl. No. 29/273,325, filed Mar. 2, 2007, Huggins.

(22) Filed: **Nov. 13, 2007**

(Continued)

Related U.S. Application Data

(63) Continuation of application No. 11/116,769, filed on
Apr. 28, 2005.

Primary Examiner—Holly H Baynham
Assistant Examiner—Cynthia M Chin
(74) *Attorney, Agent, or Firm*—Laura G. Barrow

(51) **LOC (9) Cl.** **08-05**

(52) **U.S. Cl.** **D8/354**

(58) **Field of Classification Search** D8/5,
D8/71, 349, 354, 353, 373, 380; D25/126,
D25/133; D12/223; 248/218.4, 219.1–219.3,
248/247, 251, 300, 309.1, 310, 346.01, 346.5,
248/521, 648.1, 653.1, 736.1, 736.2; 52/653.1

See application file for complete search history.

(57) **CLAIM**

The ornamental design for a stud mount, as shown and
described.

DESCRIPTION

FIG. 1 is a perspective view of the stud mount showing my
new design. The exemplary structural stud shown in phantom
is for illustrative purposes only, namely to show the intended
use of the stud mount, and thus forms no part of the claimed
design.

FIG. 2 is a front elevation of the design shown in FIG. 1.

FIG. 3 is a rear elevation design shown in FIG. 1.

FIG. 4 is a side elevation view of the design shown in FIG. 1.

FIG. 5 is an opposite side elevation view of the design shown
in FIG. 1.

FIG. 6 is a top plan view of the design shown in FIG. 1; and,

FIG. 7 is a bottom plan view of the design shown in FIG. 1.

The shading lines shown in all of the drawings represent the
three-dimensional contour of the design, and are not intended
to indicate surface decoration.

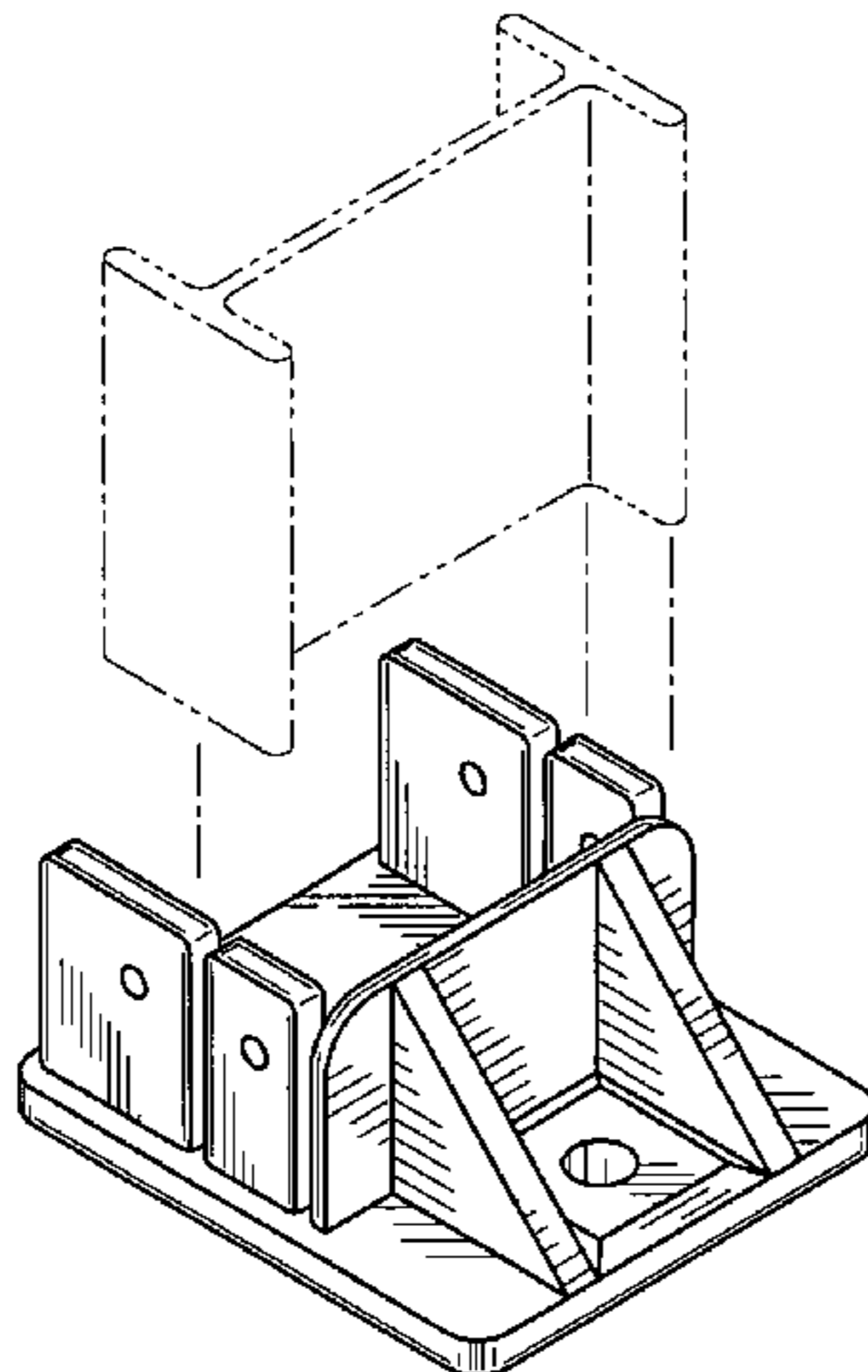
The broken lines represents portions of the design which form
no part of the claimed design.

(56) **References Cited**

U.S. PATENT DOCUMENTS

| | | | |
|--------------|---------|---------------------|--------|
| 2,731,116 A | 1/1956 | Allison | |
| 3,152,672 A | 10/1964 | Oppenhuizen et al. | |
| 3,184,013 A | 5/1965 | Pavlecka | |
| 3,332,188 A | 7/1967 | Schaefer | |
| 3,498,014 A | 3/1970 | Fergen | |
| 3,623,290 A | 11/1971 | Downing, Jr. | |
| 3,821,868 A | 7/1974 | Edwards | |
| D256,663 S * | 9/1980 | Gilb | D8/354 |
| 4,235,054 A | 11/1980 | Cable | |
| 4,272,930 A | 6/1981 | Foster | |
| 4,324,082 A | 4/1982 | Rutkowski et al. | |
| 4,353,192 A | 10/1982 | Pearson et al. | |
| D268,288 S | 3/1983 | Cowdroy | |
| 4,542,614 A | 9/1985 | Malachowski | |
| D283,352 S | 4/1986 | Bancroft | |
| D286,199 S | 10/1986 | Bancroft | |
| 4,630,547 A | 12/1986 | Przybylinski et al. | |
| 4,660,339 A | 4/1987 | Paz | |

1 Claim, 2 Drawing Sheets



US D588,440 S

Page 2

U.S. PATENT DOCUMENTS

| | | | | | | | |
|-----------|----|---------|------------------|--------------|-----|---------|---------------------------|
| | | | | | | | |
| D318,130 | S | 7/1991 | Abbestam et al. | 6,684,573 | B2 | 2/2004 | Heath et al. |
| 5,070,667 | A | 12/1991 | Schulte | 6,739,562 | B2 | 5/2004 | Rice |
| 5,394,665 | A | 3/1995 | Johnson | 6,754,999 | B1 | 6/2004 | Urbanczyk |
| 5,403,062 | A | 4/1995 | Sjostedt et al. | D492,889 | S * | 7/2004 | Craine D8/354 |
| D363,997 | S | 11/1995 | Nomura | 6,789,358 | B2 | 9/2004 | Procton et al. |
| D371,208 | S | 6/1996 | De Zen | 6,802,169 | B2 | 10/2004 | Simmons |
| D371,505 | S | 7/1996 | Young | D500,667 | S * | 1/2005 | Murphy et al. D8/354 |
| 5,561,955 | A | 10/1996 | Frobosilo et al. | 6,837,012 | B2 | 1/2005 | Scherrer et al. |
| 5,611,173 | A | 3/1997 | Headrick et al. | D511,086 | S | 11/2005 | Craine |
| 5,644,888 | A | 7/1997 | Johnson | D511,217 | S | 11/2005 | Bullock et al. |
| D384,169 | S | 9/1997 | Leonelli | D523,565 | S | 6/2006 | Antonic |
| 5,678,797 | A | 10/1997 | Gogan | D523,735 | S | 6/2006 | Craine |
| 5,706,626 | A | 1/1998 | Mueller | D537,537 | S | 2/2007 | Antonic |
| 5,735,090 | A | 4/1998 | Papke | 7,178,305 | B2 | 2/2007 | Petrova |
| 5,794,746 | A | 8/1998 | Ketonen et al. | D540,479 | S | 4/2007 | Antonic |
| 5,797,233 | A | 8/1998 | Hascall | 7,207,148 | B2 | 4/2007 | Surowiecki |
| 5,802,798 | A | 9/1998 | Martens | D544,784 | S | 6/2007 | Antonic |
| 5,848,512 | A | 12/1998 | Conn | D549,851 | S | 8/2007 | Antonic |
| D407,828 | S | 4/1999 | Hart | D552,947 | S * | 10/2007 | Ewasiuk D8/5 |
| 5,927,039 | A | 7/1999 | De Boer | D553,261 | S | 10/2007 | Antonic |
| 5,930,968 | A | 8/1999 | Pullam | D553,761 | S | 10/2007 | Antonic |
| 5,950,385 | A | 9/1999 | Herren | D554,273 | S | 10/2007 | Antonic |
| 6,003,279 | A | 12/1999 | Schneider | D554,773 | S | 11/2007 | Antonic |
| 6,023,898 | A | 2/2000 | Josey | D554,774 | S | 11/2007 | Antonic |
| D423,690 | S | 4/2000 | Grosfillex | D554,775 | S | 11/2007 | Antonic |
| 6,067,769 | A | 5/2000 | Hardy | D555,259 | S | 11/2007 | Antonic |
| 6,092,340 | A | 7/2000 | Simmons | D555,467 | S * | 11/2007 | Pecoraro D8/380 |
| D432,671 | S | 10/2000 | Grosfillex | D561,353 | S | 2/2008 | Antonic |
| 6,216,395 | B1 | 4/2001 | Kelly | D561,354 | S | 2/2008 | Antonic |
| 6,223,494 | B1 | 5/2001 | Bright | D561,355 | S | 2/2008 | Antonic |
| 6,260,601 | B1 | 7/2001 | Thomas | D574,697 | S * | 8/2008 | Green D8/354 |
| D446,870 | S | 8/2001 | Gardner | 2002/0069600 | A1 | 6/2002 | Bryant |
| 6,272,796 | B1 | 8/2001 | Metzler | 2002/0092245 | A1 | 7/2002 | Floyd et al. |
| 6,276,094 | B1 | 8/2001 | Hays | 2002/0148178 | A1 | 10/2002 | Farag |
| D447,574 | S | 9/2001 | Fening | 2003/0089066 | A1 | 5/2003 | Nelson |
| 6,314,704 | B1 | 11/2001 | Bryant | 2006/0026924 | A1 | 2/2006 | Madsen |
| D452,016 | S | 12/2001 | Hall | 2006/0207209 | A1 | 9/2006 | Metroyanis |
| 6,341,458 | B1 | 1/2002 | Burt | 2006/0254167 | A1 | 11/2006 | Antonic |
| 6,427,403 | B1 | 8/2002 | Tambakis | 2007/0051059 | A1 | 3/2007 | Ahern |
| 6,438,903 | B1 | 8/2002 | Weiss | 2007/0094992 | A1 | 5/2007 | Antonic |
| D465,586 | S | 11/2002 | Krieger | 2007/0193143 | A1 | 8/2007 | Antonic |
| 6,519,911 | B1 | 2/2003 | Sawada | | | | |
| D473,955 | S | 4/2003 | Gregori | | | | |
| 6,553,731 | B2 | 4/2003 | Hsueh | | | | |
| D474,286 | S | 5/2003 | Gregori | | | | |
| D474,549 | S | 5/2003 | Krieger | | | | |
| 6,581,337 | B1 | 6/2003 | Skov et al. | | | | |

OTHER PUBLICATIONS

PCT written opinion (PCT/US06/39743)—Sep. 25, 2007 (11 pages total).
PCT Written Opinion (PCT/US06/15656), Jul. 7, 2008, 10 pages total.

* cited by examiner

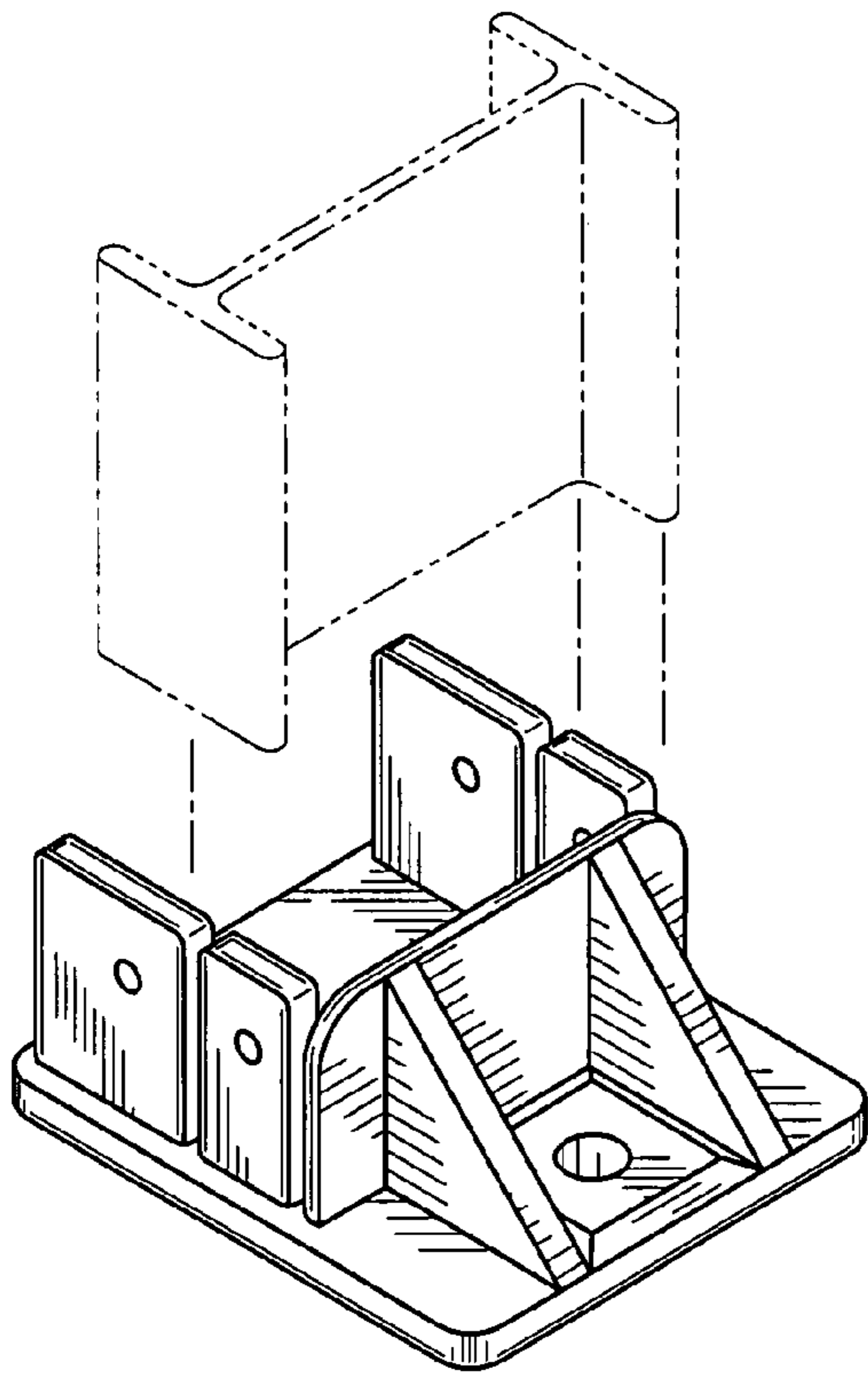


Fig. 1

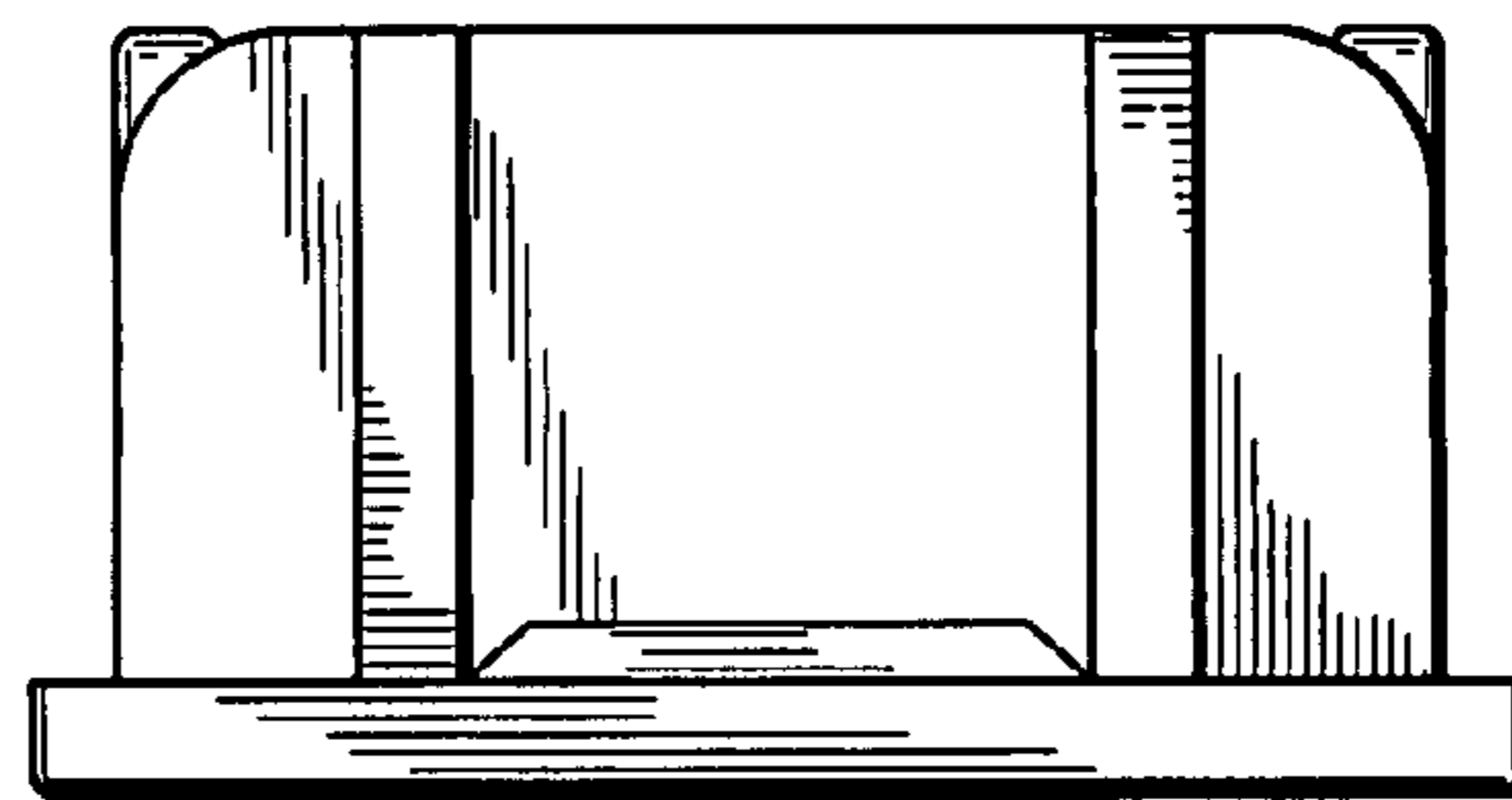


Fig. 2

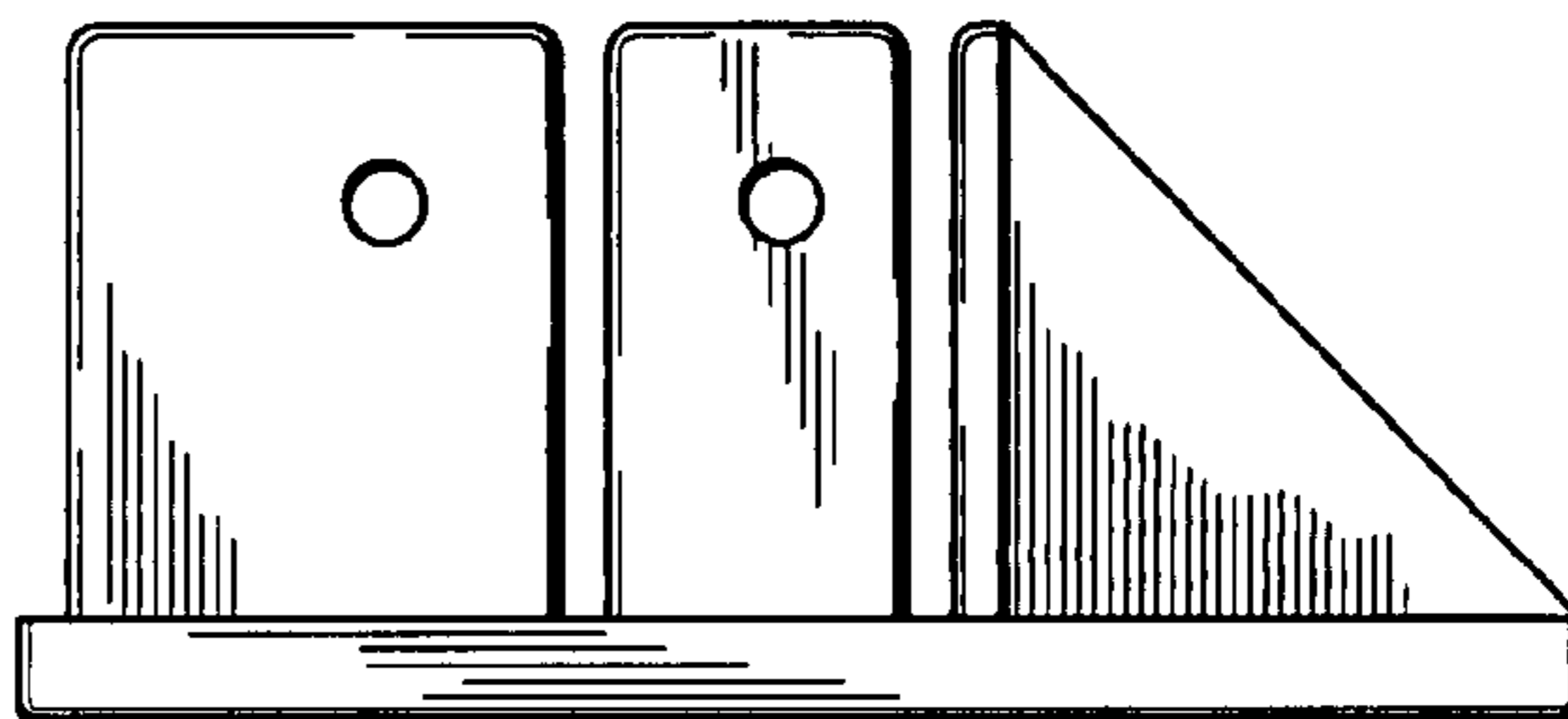


Fig. 4

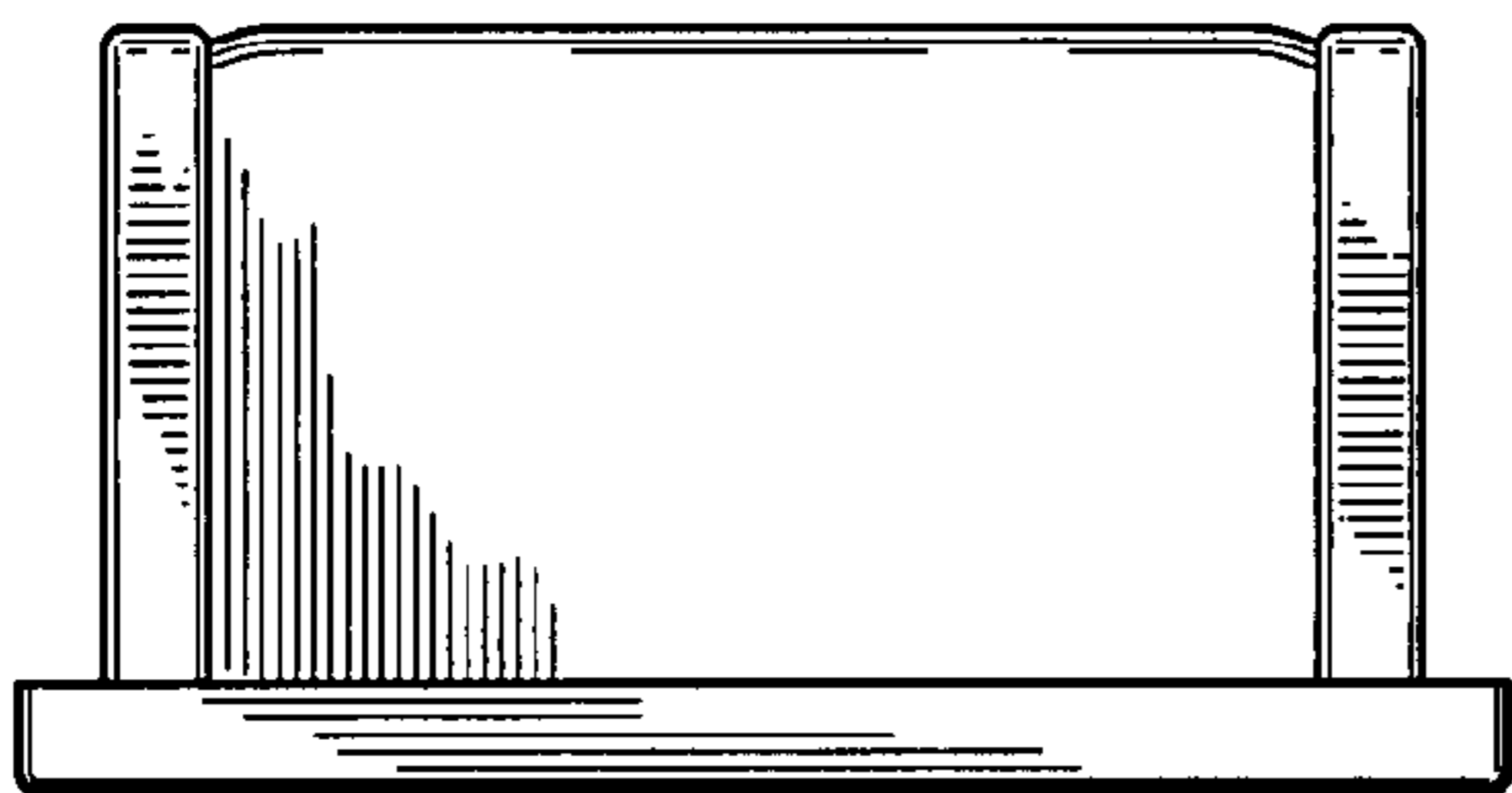


Fig. 3

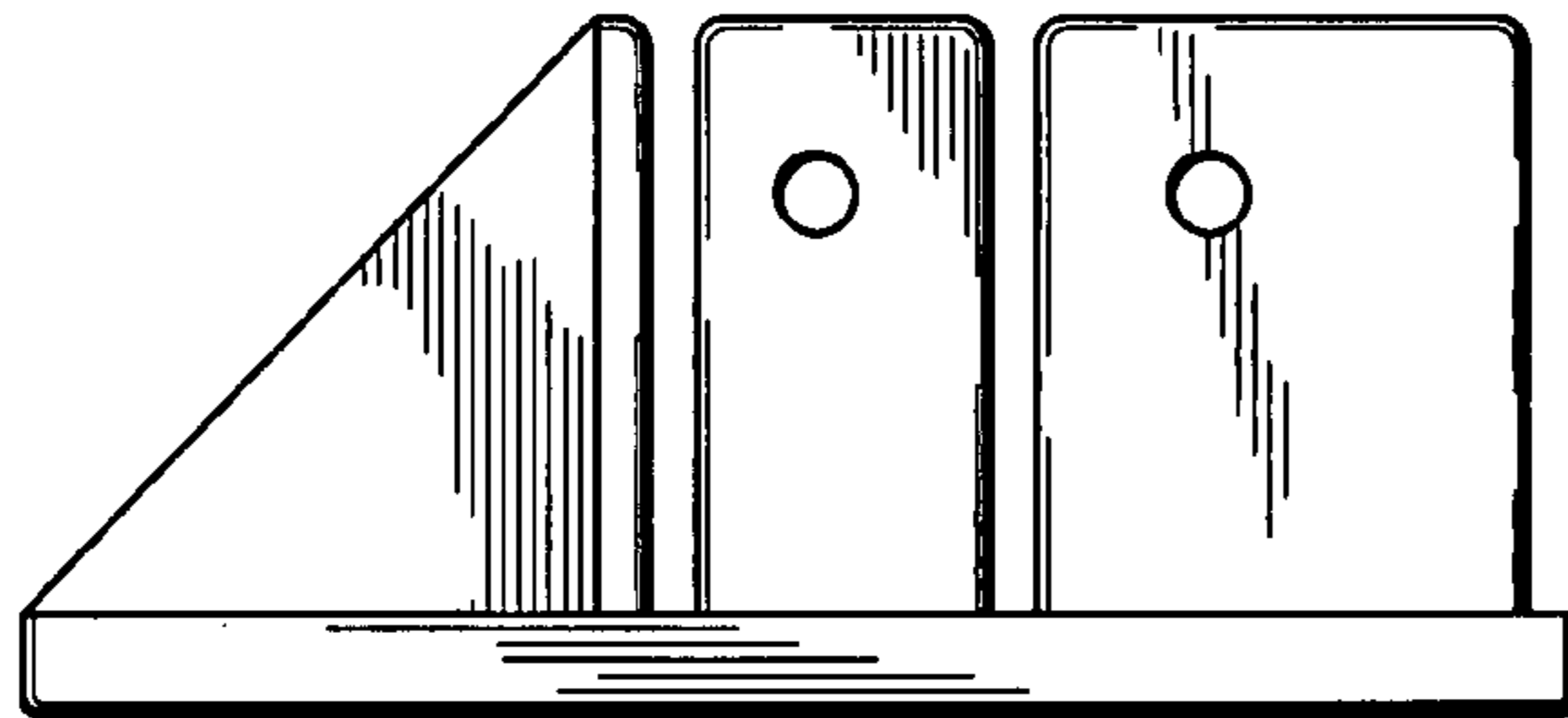


Fig. 5

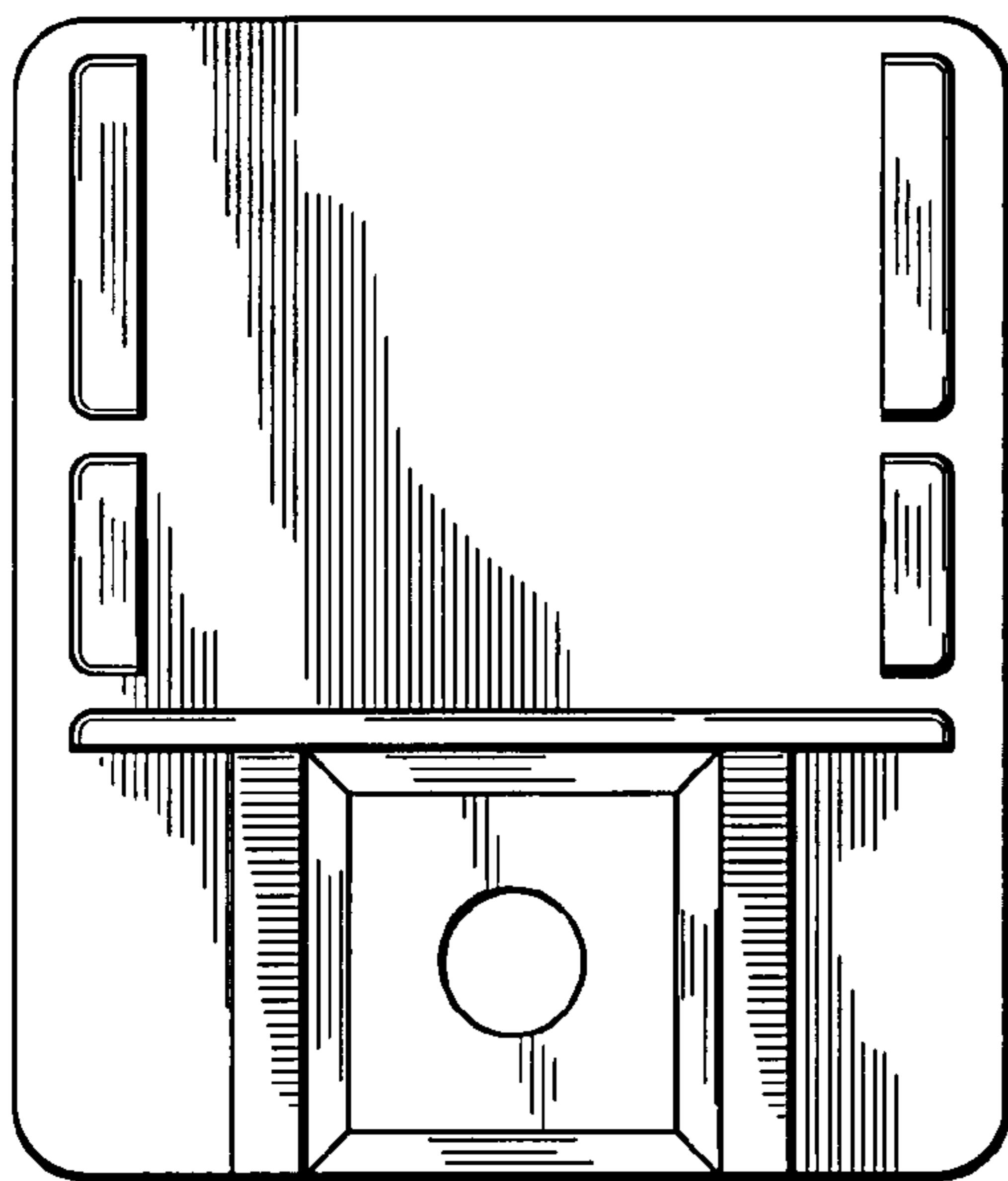


Fig. 6

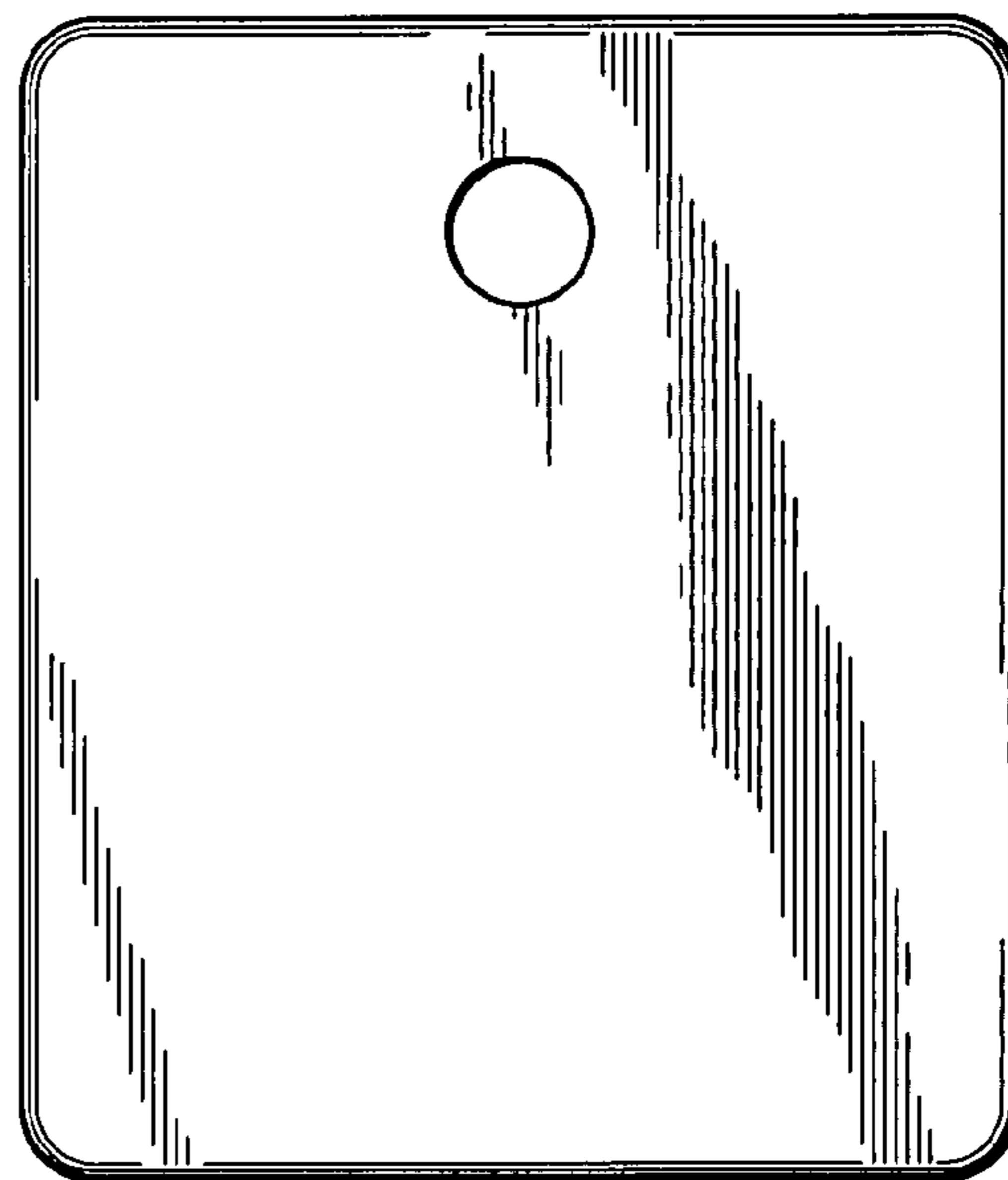


Fig. 7