



US00D588435S

(12) **United States Design Patent**
Soreo et al.

(10) **Patent No.:** **US D588,435 S**
(45) **Date of Patent:** **** Mar. 17, 2009**

(54) **TOOL HANDLE**

(75) Inventors: **Robert F. Soreo**, Cleveland Heights, OH (US); **Nick E. Stanca**, Westlake, OH (US)

(73) Assignee: **Stride Tool Inc.**, Ellicottville, NY (US)

(**) Term: **14 Years**

(21) Appl. No.: **29/249,950**

(22) Filed: **Oct. 27, 2006**

(51) **LOC (9) Cl.** **08-05**

(52) **U.S. Cl.** **D8/107**

(58) **Field of Classification Search** D8/82-87,
D8/47, 107, 60, 14, 98, 25; D15/127; 81/63,
81/63.1; 145/75

See application file for complete search history.

(56) **References Cited**

U.S. PATENT DOCUMENTS

D214,121 S *	5/1969	Cheslak	D8/98
D412,274 S *	7/1999	Okada	D8/98
D418,732 S *	1/2000	Arend et al.	D8/98
D460,338 S *	7/2002	Martelli	D8/98
6,427,331 B1 *	8/2002	Tarpill et al.	30/90.8
D474,668 S *	5/2003	McDonald et al.	D8/98
D551,919 S *	10/2007	Kortleven et al.	D7/694

OTHER PUBLICATIONS

Stride Tool Inc. website, Imperial Tools—Online Pressroom; Product name: TC-1050RH Ratcheting Tube Cutter; Copyright 2005; captured Apr. 16, 2008.*

* cited by examiner

Primary Examiner—Cathron C Brooks

Assistant Examiner—Barbara Fox

(74) *Attorney, Agent, or Firm*—Benesch, Friedlander, Coplan & Aronoff LLP

(57) **CLAIM**

What is claimed is the ornamental design for a tool handle, as shown and described.

DESCRIPTION

FIG. 1 is a perspective view of a tool handle illustrating the new design;

FIG. 2 is a left side elevational thereof;

FIG. 3 is a bottom plan view thereof;

FIG. 4 is a right side elevational thereof; and

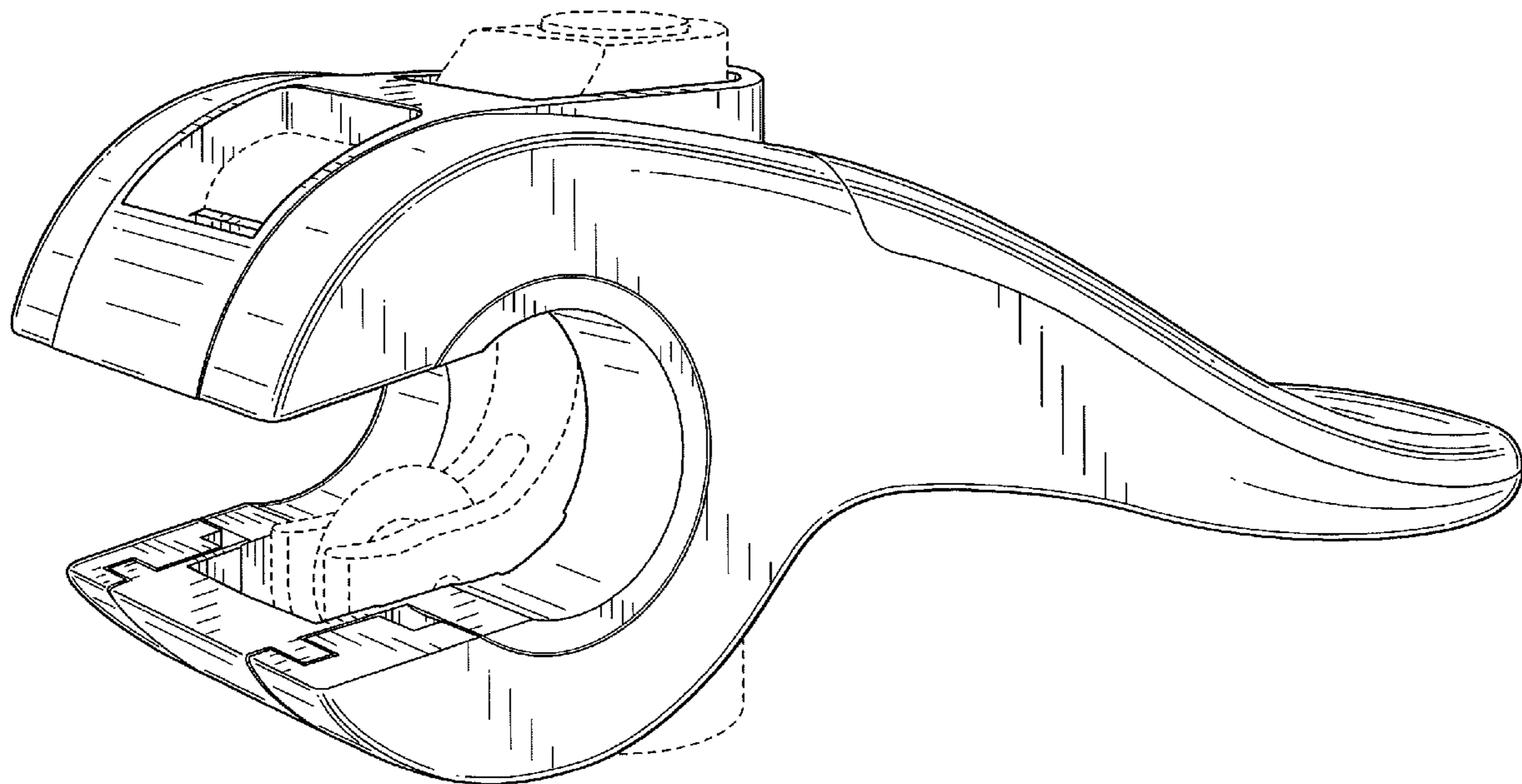
FIG. 5 is a top plan view thereof;

FIG. 6 is a front elevational view thereof; and,

FIG. 7 is a rear elevational view thereof.

The components of the tool handle shown in broken lines are for illustrative purposes only and form no part of the claimed design.

1 Claim, 4 Drawing Sheets



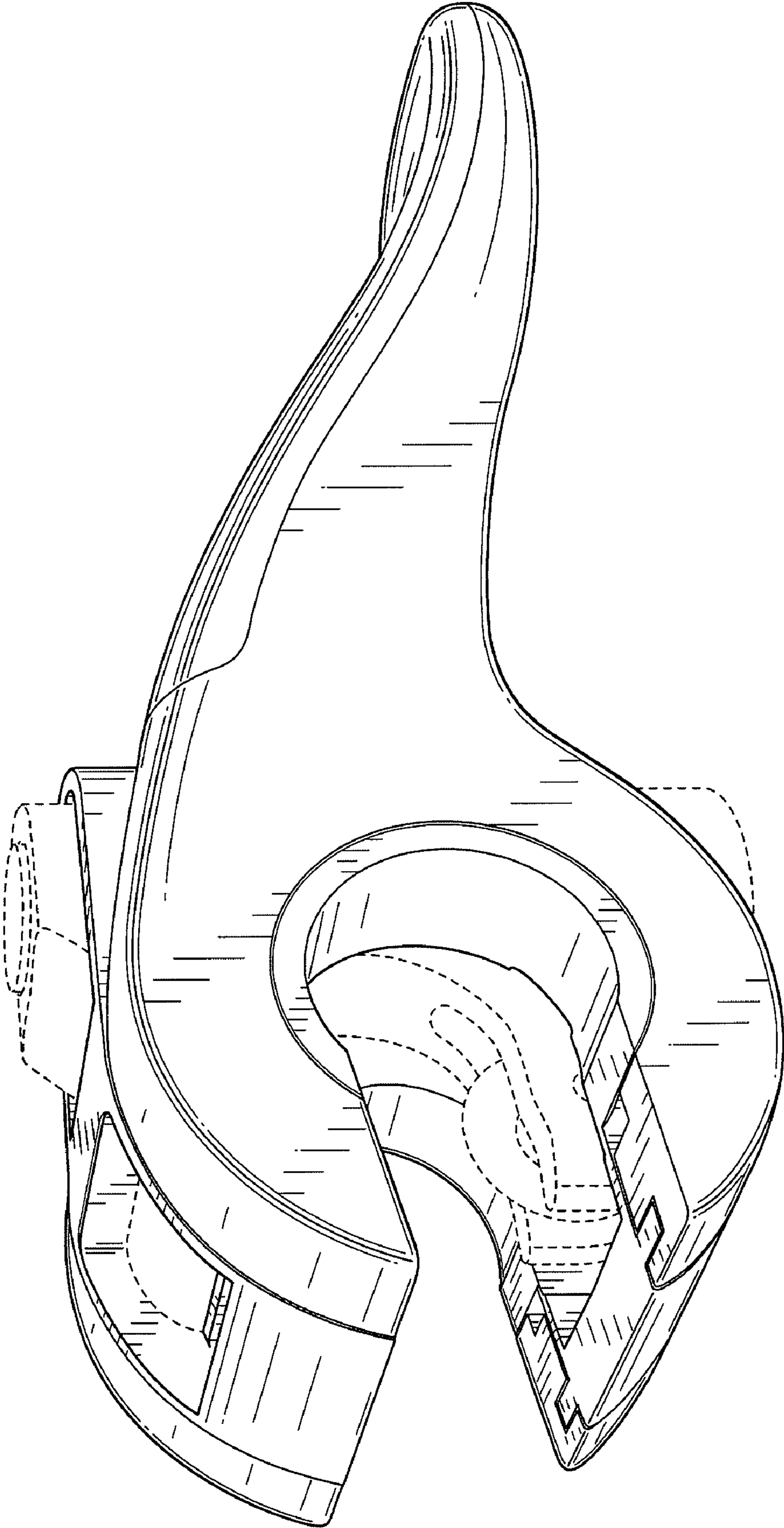


FIG. 1

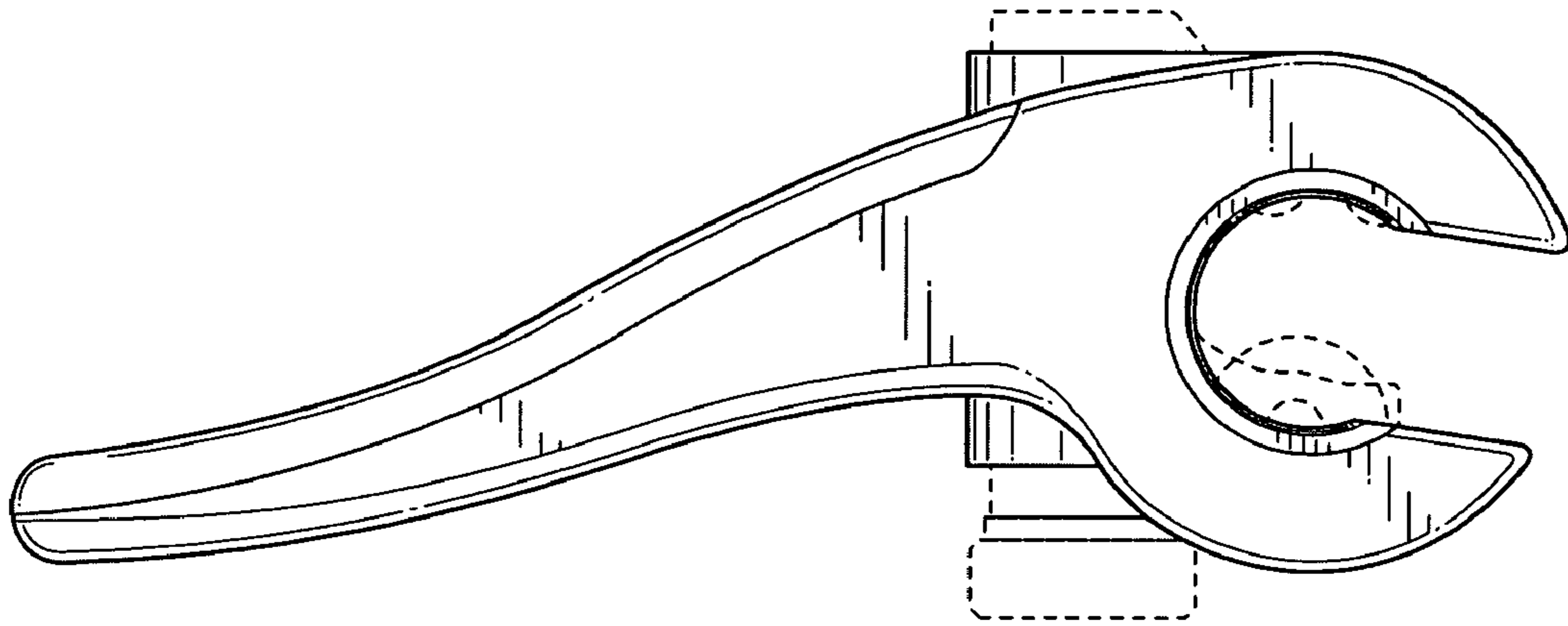


FIG. 2

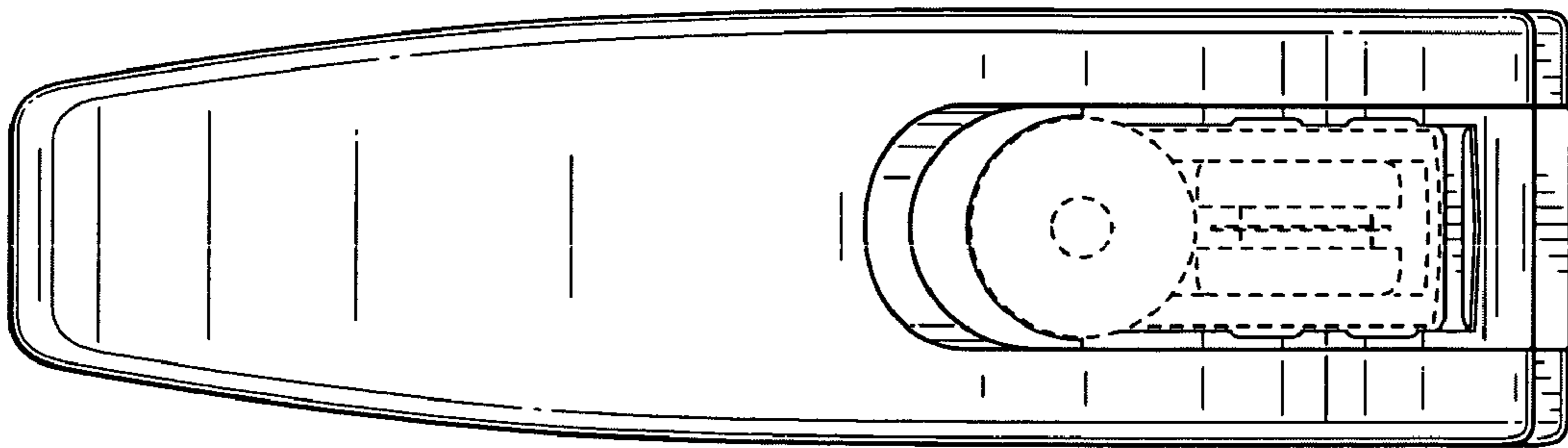


FIG. 3

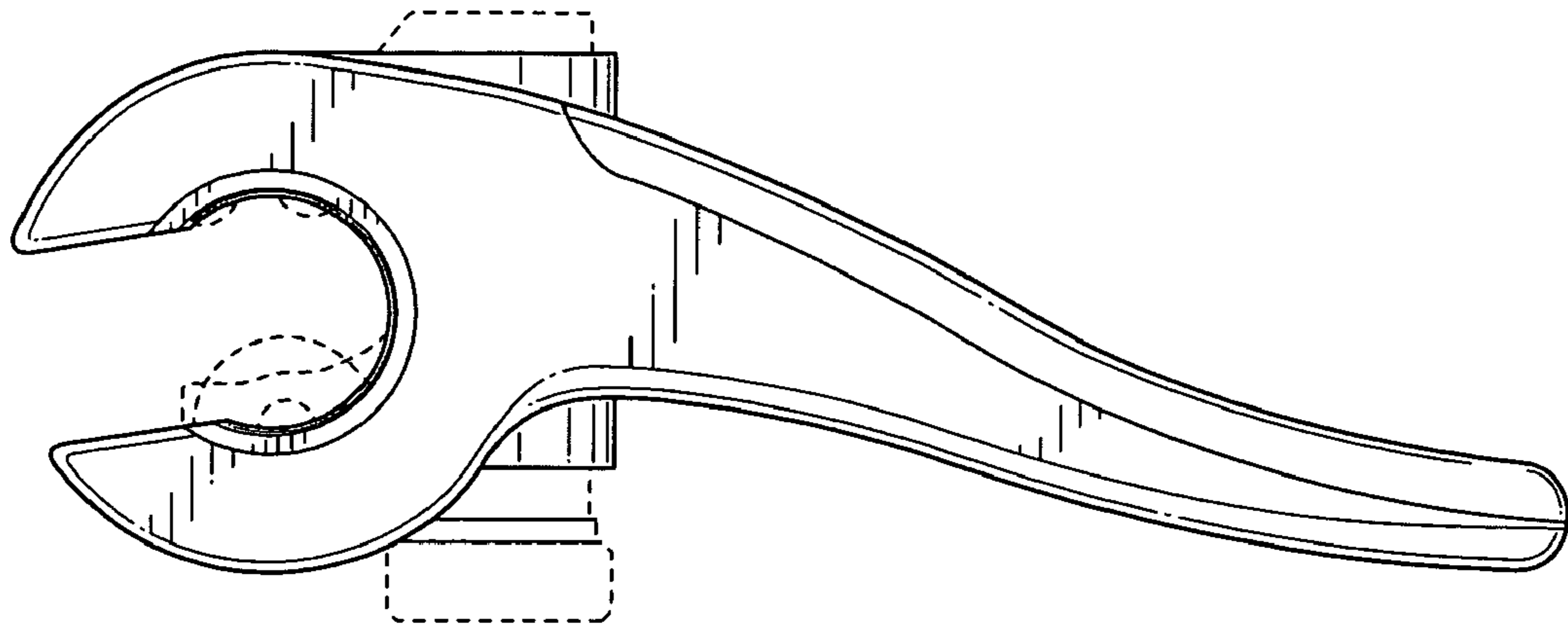


FIG. 4

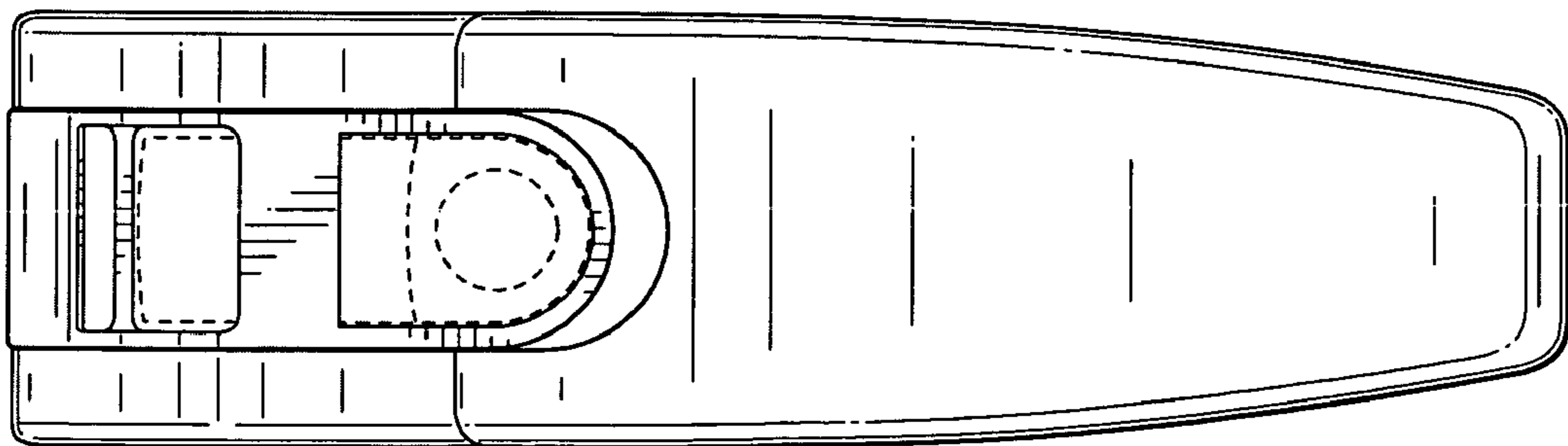


FIG. 5

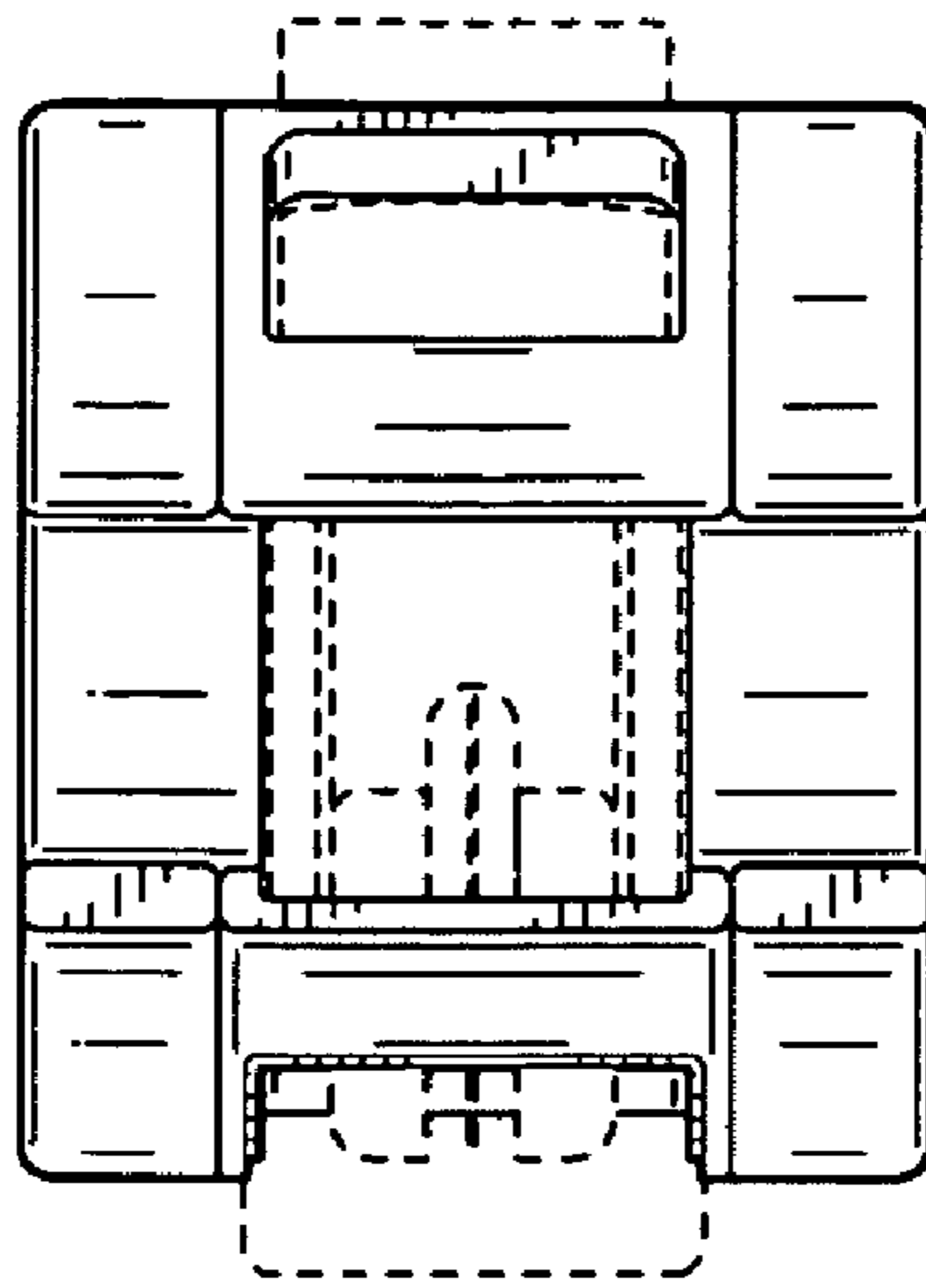


FIG. 6

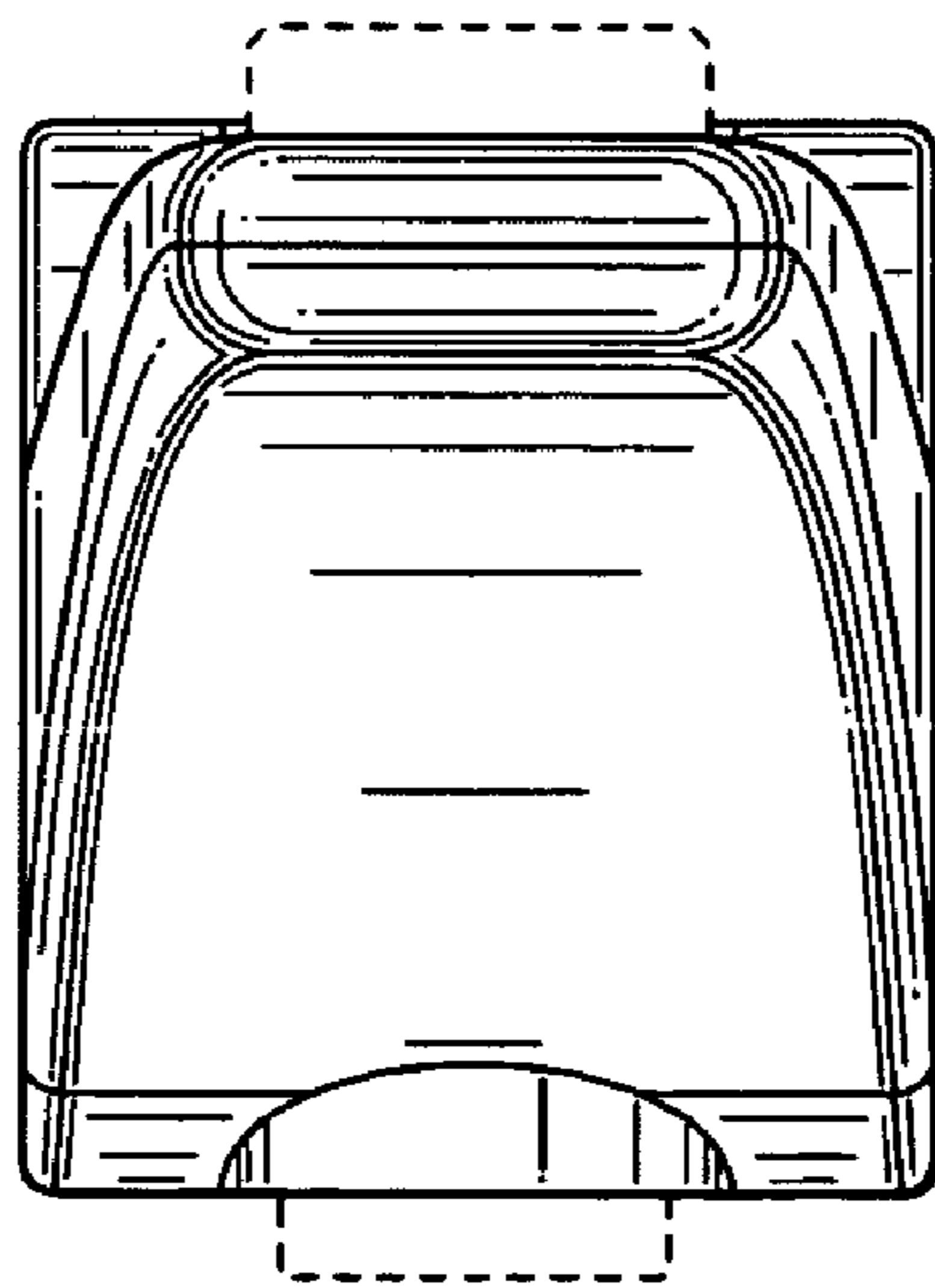


FIG. 7