



US00D588433S

(12) **United States Design Patent**
van Deursen

(10) **Patent No.:** **US D588,433 S**
(45) **Date of Patent:** **** Mar. 17, 2009**

- (54) **FOLDING UTILITY KNIFE**
- (75) Inventor: **Gary E. van Deursen**, Essex, CT (US)
- (73) Assignee: **American Safety Razor**, Verona, VA (US)
- (**) Term: **14 Years**
- (21) Appl. No.: **29/290,896**
- (22) Filed: **Jan. 28, 2008**
- (51) **LOC (9) Cl.** **08-03**
- (52) **U.S. Cl.** **D8/99**
- (58) **Field of Classification Search** D8/98, D8/99, 107; 30/155, 156, 157, 158, 159, 30/160, 161, 162, 329, 330; D22/118
See application file for complete search history.

(56) **References Cited**

U.S. PATENT DOCUMENTS

D256,427 S	8/1980	Lile	
D304,154 S	10/1989	Osterhout	
D408,706 S	4/1999	Elishewitz	
D433,914 S	11/2000	Chu	
6,354,007 B1	3/2002	Scarla	
D461,387 S	8/2002	Glesser	
6,688,003 B2	2/2004	Scarla	
D488,697 S	4/2004	Rae	
D494,437 S	8/2004	Scarla	
D494,440 S	8/2004	Carter, III	
D501,782 S	2/2005	Ping	
D517,892 S	3/2006	Galyean	
D519,817 S	5/2006	Wong	
7,040,022 B2	5/2006	Ping	
D526,877 S	8/2006	Ping	
D526,878 S	8/2006	Ping	
D530,180 S	10/2006	Kleckner et al.	
7,134,207 B2	11/2006	Ping	
D535,171 S *	1/2007	Ping	D8/99
D541,128 S *	4/2007	Farland	D8/99
D543,822 S	6/2007	Ping	
D552,835 S	10/2007	Belley et al.	
D552,955 S	10/2007	Ping	
D554,964 S *	11/2007	Taylor	D8/99
D560,998 S *	2/2008	Farland	D8/99
D568,137 S *	5/2008	Hernandez, Jr.	D8/99
2004/0103541 A1	6/2004	Scarla	

2005/0055833 A1	3/2005	Scarla
2005/0204567 A1	9/2005	Ping
2007/0130777 A1	6/2007	Ping
2007/0214652 A1	9/2007	Ping
2007/0294895 A1	12/2007	Ping

FOREIGN PATENT DOCUMENTS

GB	2 396 129	6/2004
----	-----------	--------

OTHER PUBLICATIONS

Locarno Registration No. 448287, <http://oami.europa.eu/RCDOnline/RequestManager>, retrieved Feb. 5, 2008.

* cited by examiner

Primary Examiner—Philip S Hyder
(74) *Attorney, Agent, or Firm*—McDermott Will & Emery LLP

(57) **CLAIM**

The ornamental design for a folding utility knife, as shown and described.

DESCRIPTION

FIG. 1 is a front perspective view of the folding utility knife, in an unfolded position wherein the blade is extended, showing the new design;

FIG. 2 is a front view of the folding utility knife in the unfolded position;

FIG. 3 is a rear view of the folding utility knife in the unfolded position;

FIG. 4 is a side view of the folding utility knife in the unfolded position;

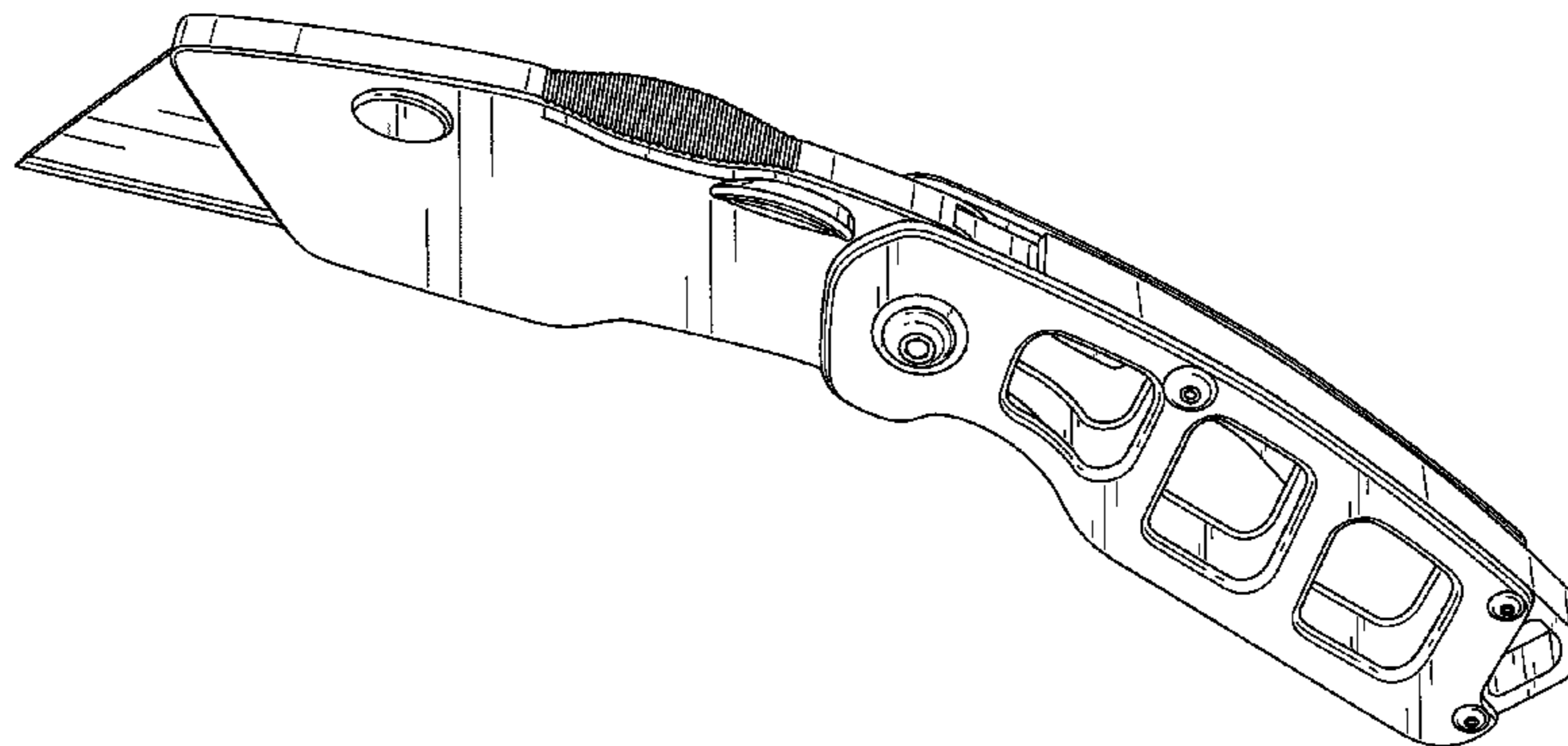
FIG. 5 is another side view of the folding utility knife in the unfolded position;

FIG. 6 is a top view of the folding utility knife in the unfolded position;

FIG. 7 is a bottom view of the folding utility knife in the unfolded position; and,

FIG. 8 is a perspective view of the folding utility knife in a folded position wherein the blade is retracted.

1 Claim, 6 Drawing Sheets



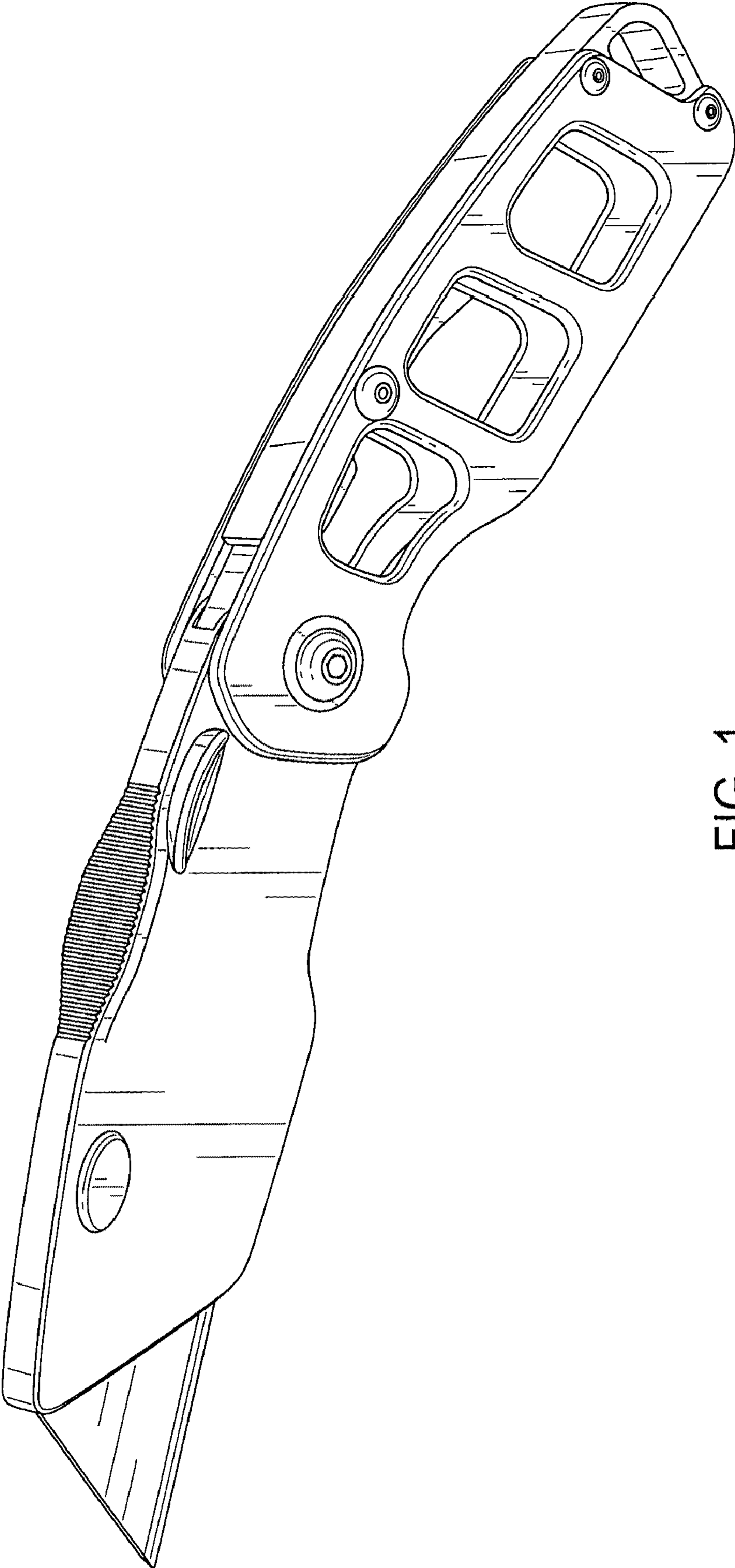


FIG. 1

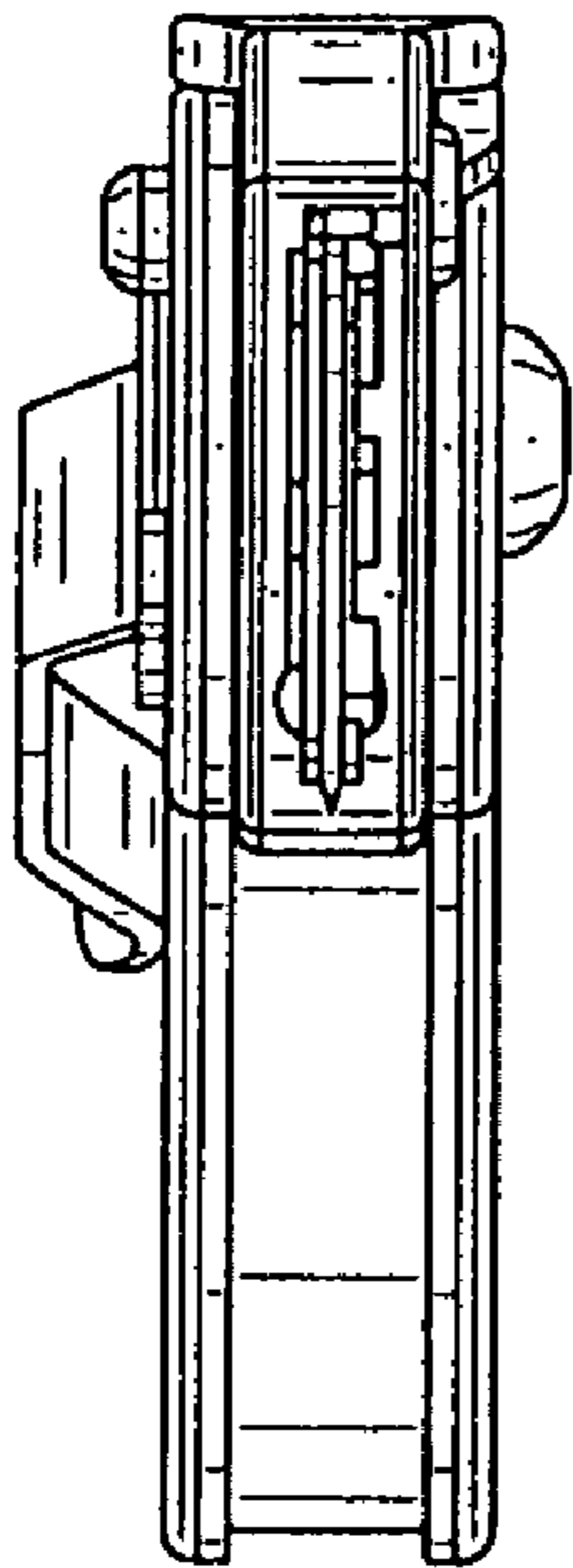


FIG. 2

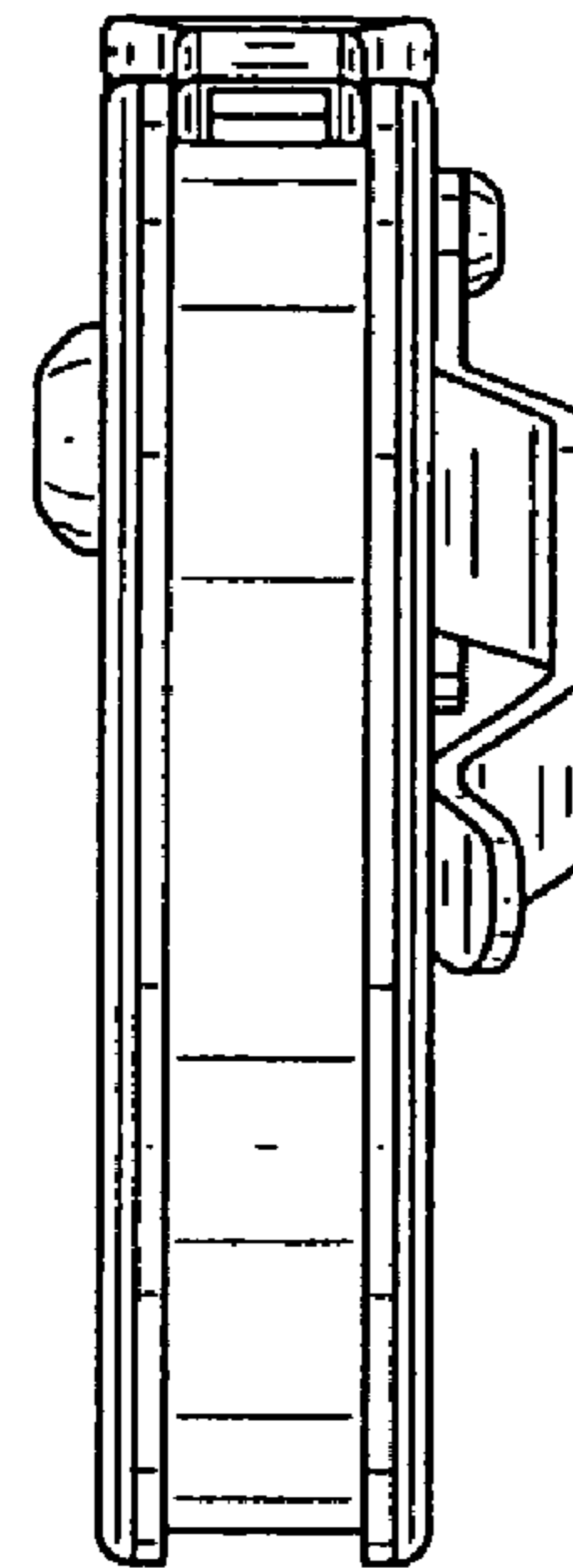


FIG. 3

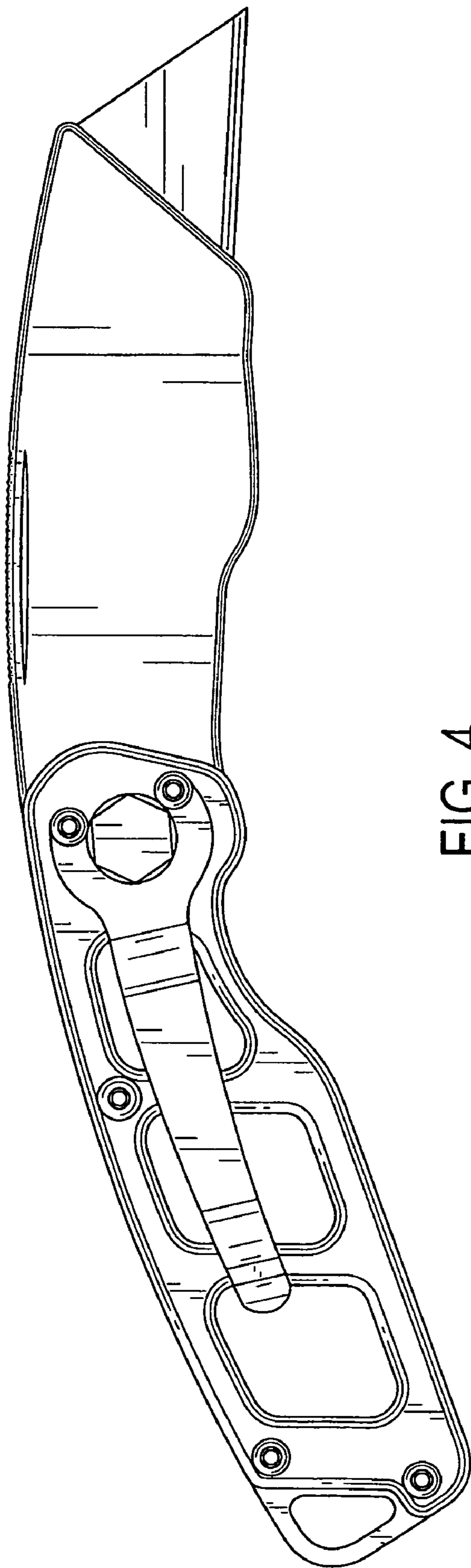


FIG. 4

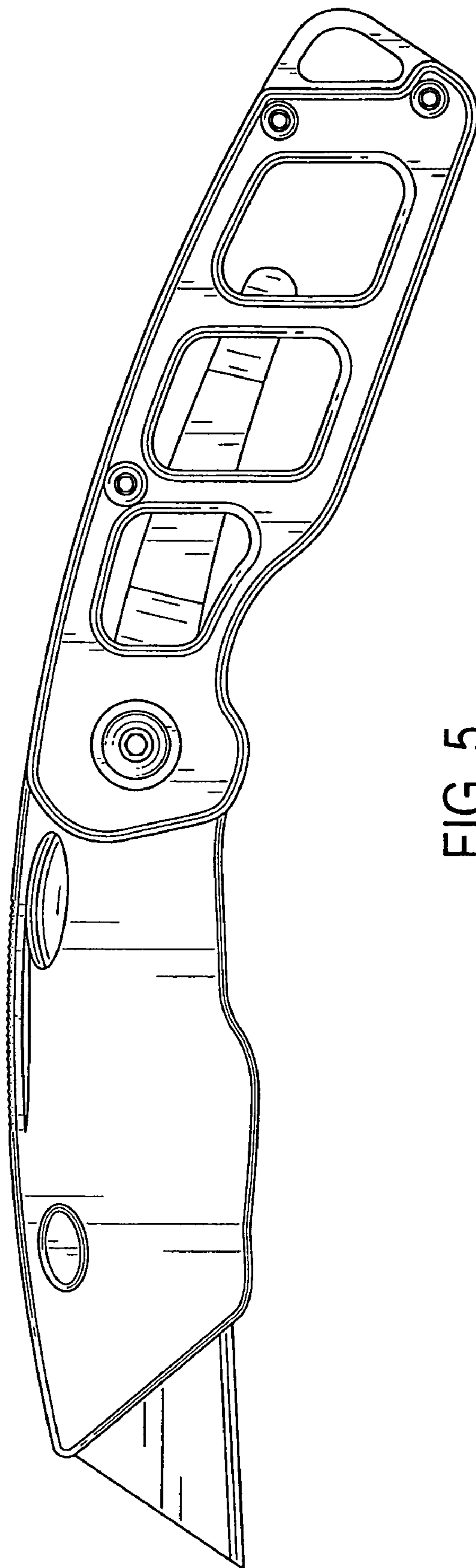


FIG. 5

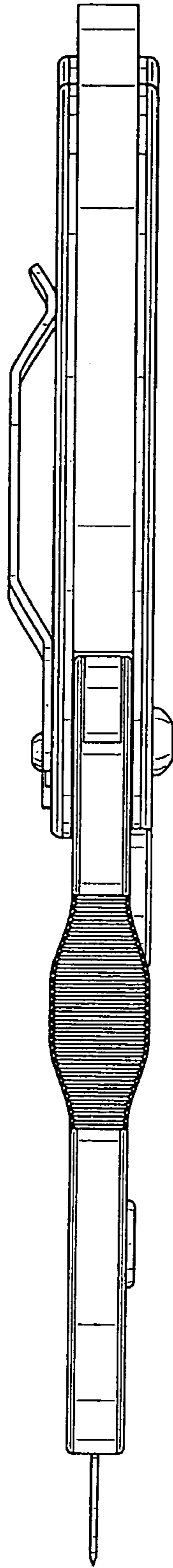


FIG. 6

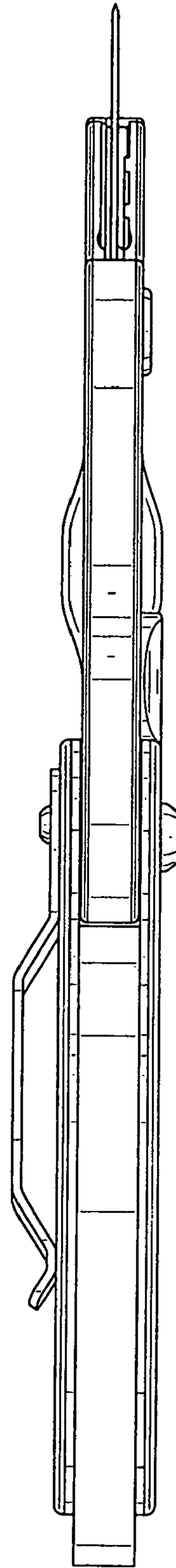


FIG. 7

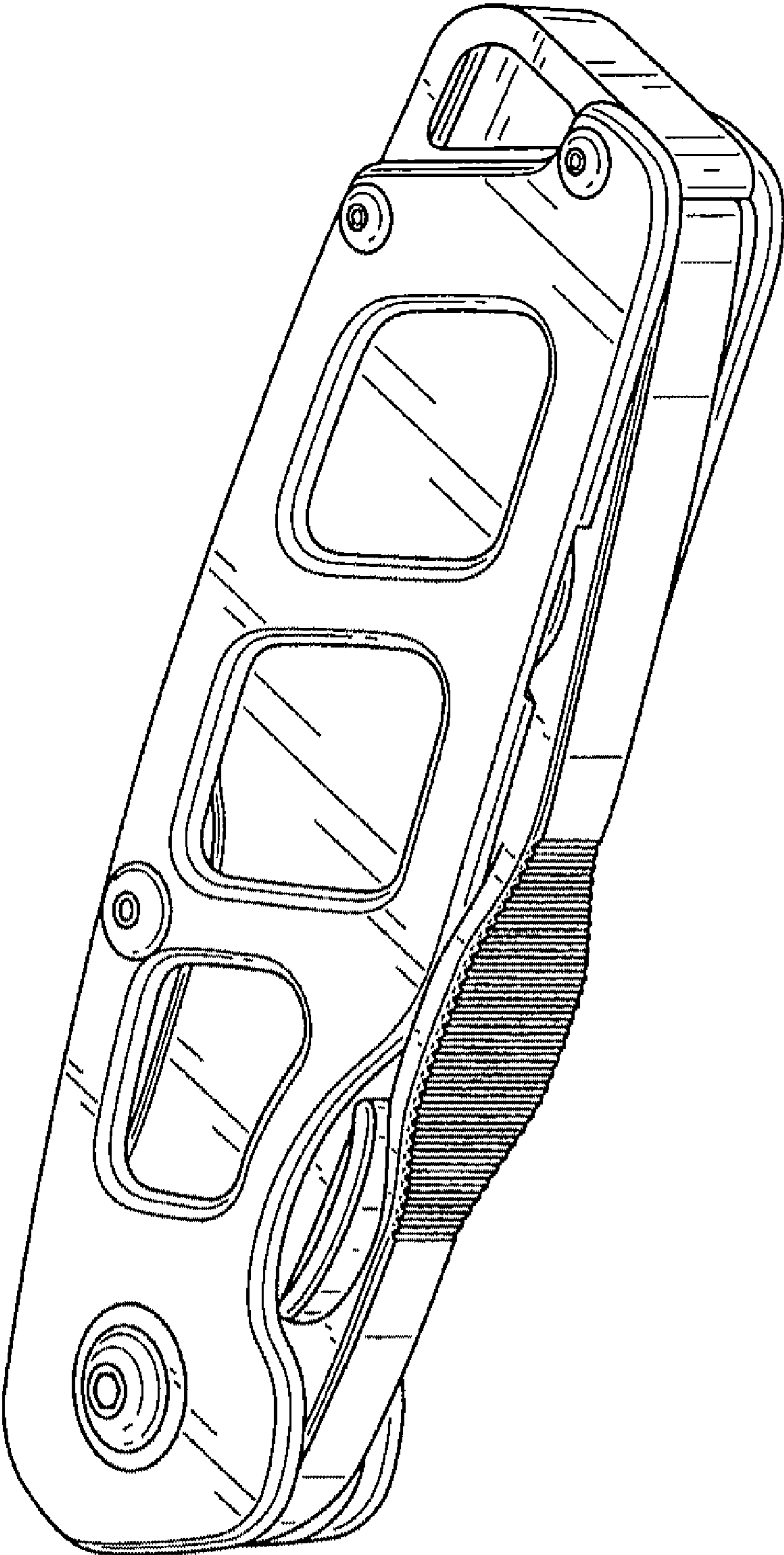


FIG. 8