



US00D588432S

(12) **United States Design Patent**  
**Weinberg et al.**

(10) **Patent No.:** **US D588,432 S**  
(45) **Date of Patent:** **\*\* Mar. 17, 2009**

- (54) **SLIDING ARM FOR A CLAMP**
- (75) Inventors: **Andreas Weinberg**, Filderstadt (DE);  
**Martin Ruf**, Filderstadt (DE)
- (73) Assignee: **BESSEY Tool GmbH & Co. KG**,  
Bietigheim-Bissingen (DE)
- (\*\*) Term: **14 Years**
- (21) Appl. No.: **29/308,305**
- (22) Filed: **Jun. 9, 2008**
- (30) **Foreign Application Priority Data**  
Dec. 10, 2007 (EM) ..... 000840491
- (51) **LOC (9) Cl.** ..... **08-05**
- (52) **U.S. Cl.** ..... **D8/73**
- (58) **Field of Classification Search** ..... D8/71-74,  
D8/394-397, 354, 355, 356, 24, 25, 27, 29;  
248/62, 313; 269/3, 6, 143, 165, 240, 249;  
81/355, 356, 353, 487, 476; 29/257, 276;  
D24/128; D23/265  
See application file for complete search history.

- (56) **References Cited**  
U.S. PATENT DOCUMENTS  
2,525,379 A \* 10/1950 Smilansky ..... 81/476  
D242,765 S \* 12/1976 Patrick ..... D8/356  
D285,409 S \* 9/1986 Lemkin et al. .... D8/356  
4,781,086 A \* 11/1988 Johnston ..... 81/476

- 5,906,034 A \* 5/1999 Weisshaar ..... 29/257
- D466,212 S \* 11/2002 Koros et al. .... D8/72
- 6,848,683 B2 \* 2/2005 Foshag et al. .... 269/3
- D515,373 S \* 2/2006 Chen ..... D8/27
- D527,992 S \* 9/2006 Chiang ..... D8/396
- D545,161 S \* 6/2007 Ranieri ..... D8/72
- D553,456 S \* 10/2007 Hu ..... D8/25
- D575,610 S \* 8/2008 Holl et al. .... D8/71
- 2008/0172800 A1 \* 7/2008 Levy ..... 81/487

\* cited by examiner

*Primary Examiner*—T. Chase Nelson  
*Assistant Examiner*—David G Muller  
(74) *Attorney, Agent, or Firm*—Lipsitz & McAllister, LLC

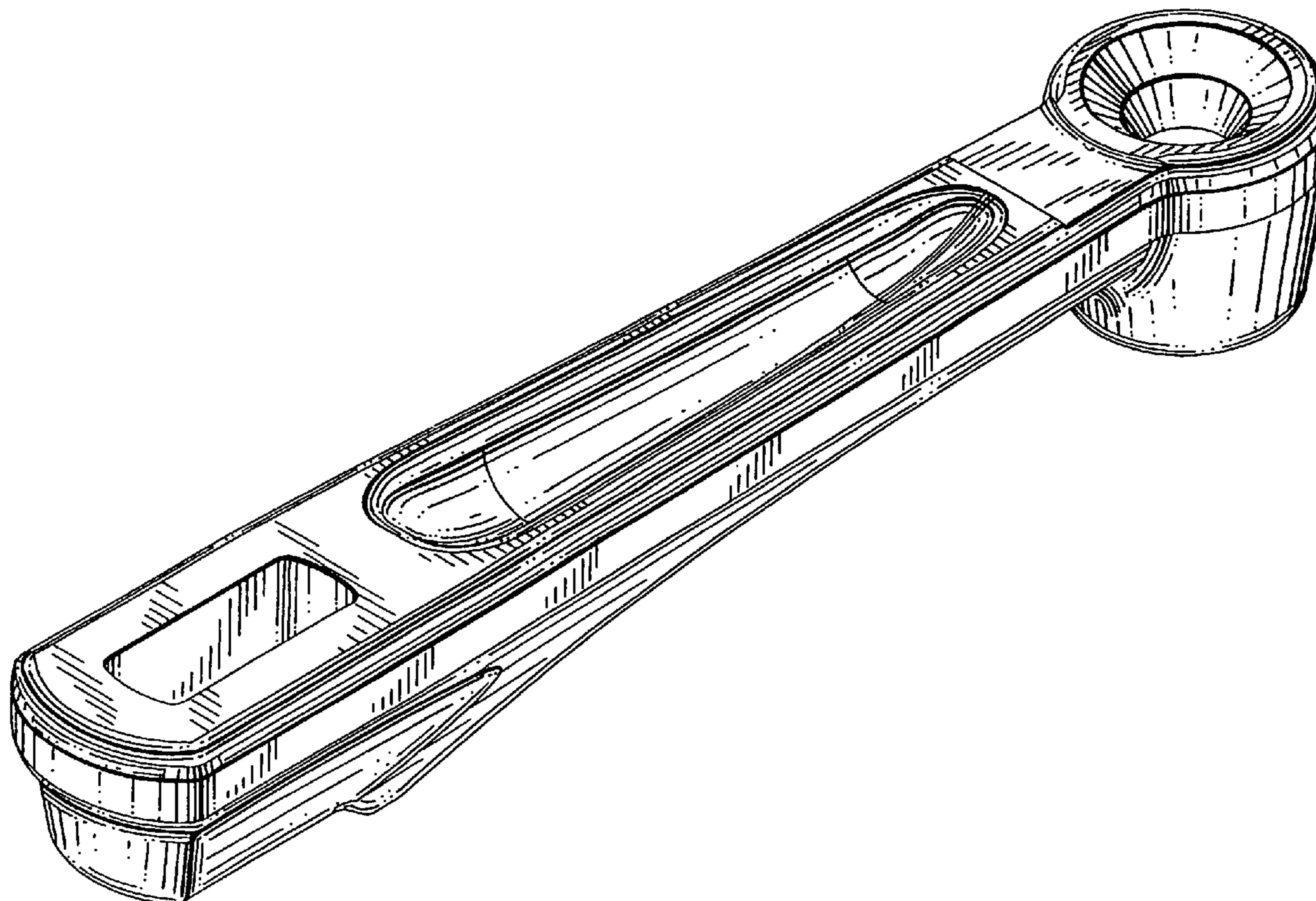
(57) **CLAIM**

The ornamental design for sliding arm for a clamp, as shown and described.

**DESCRIPTION**

FIG. 1 is a rear, top and right side perspective view showing the design;  
FIG. 2 is a right side elevational view of the design;  
FIG. 3 is a left side elevational view of the design;  
FIG. 4 is a front elevational view of the design;  
FIG. 5 is a rear elevational view of the design;  
FIG. 6 is a top plan view of the design; and,  
FIG. 7 is a bottom plan view of the design.

**1 Claim, 6 Drawing Sheets**



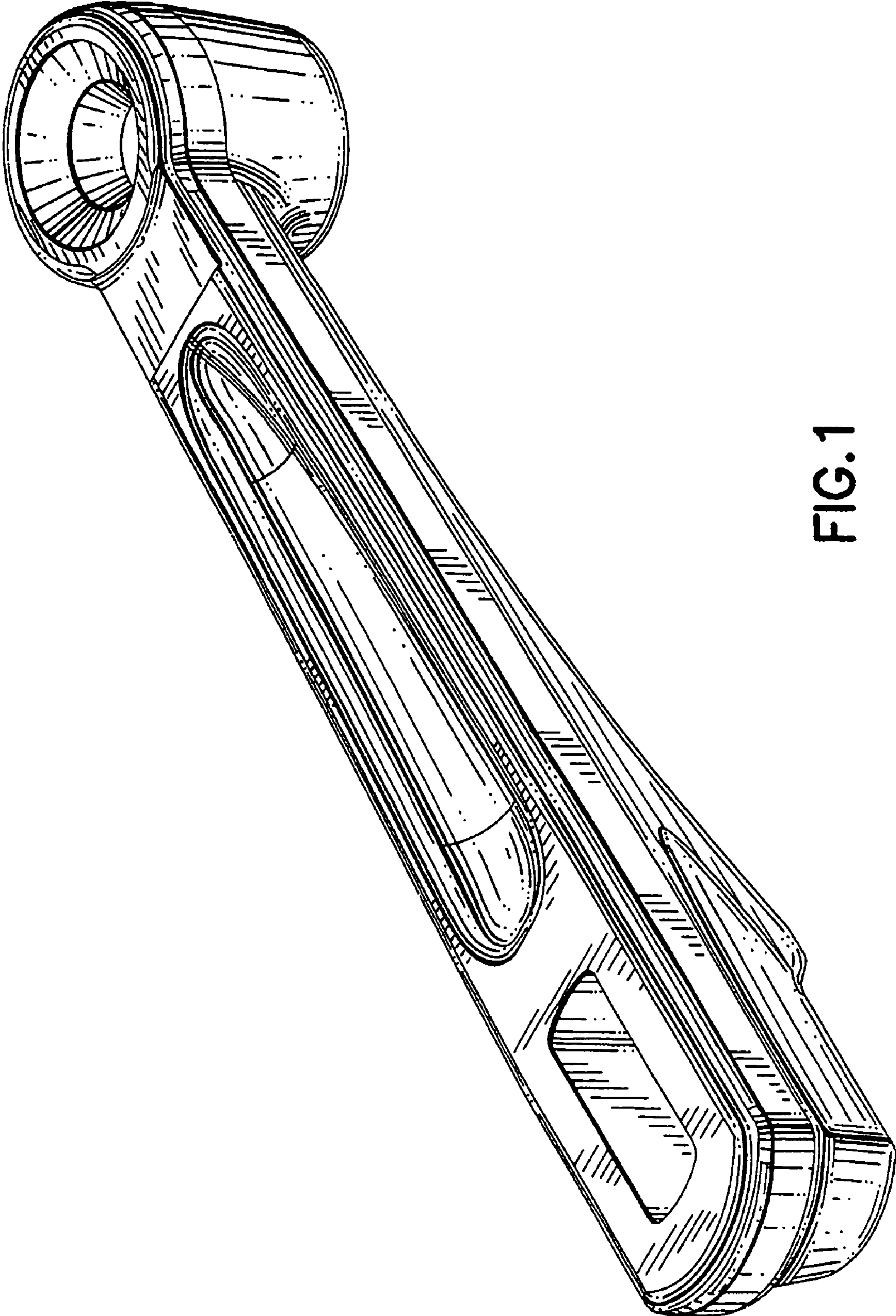


FIG. 1

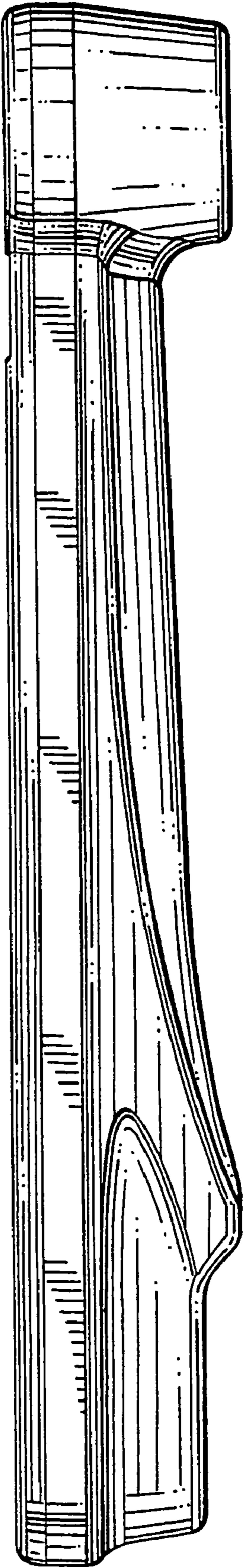


FIG.2

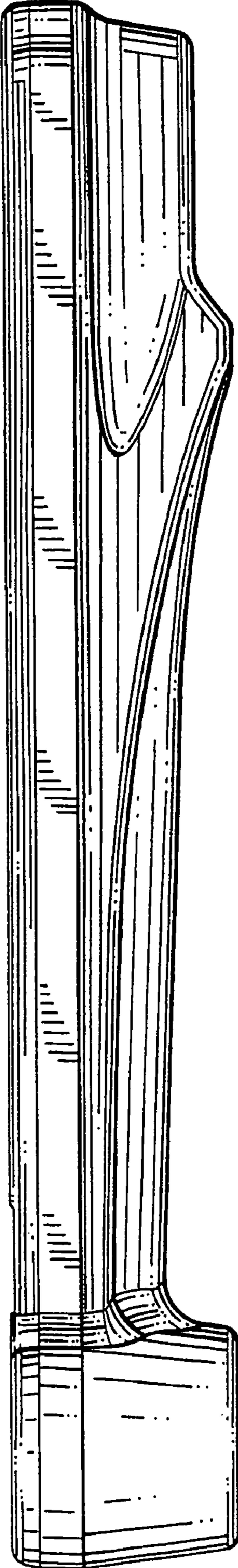


FIG.3

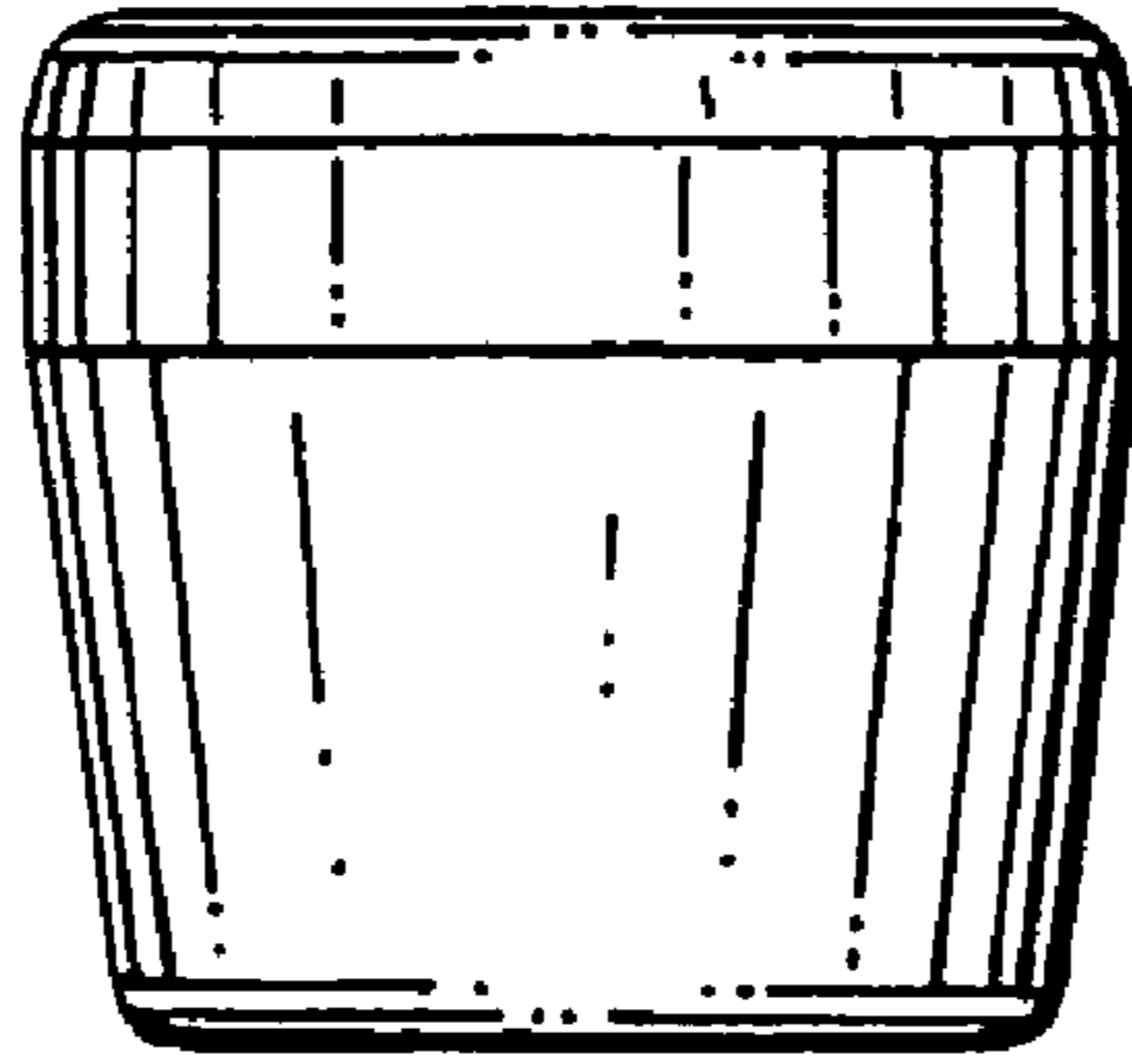


FIG. 4

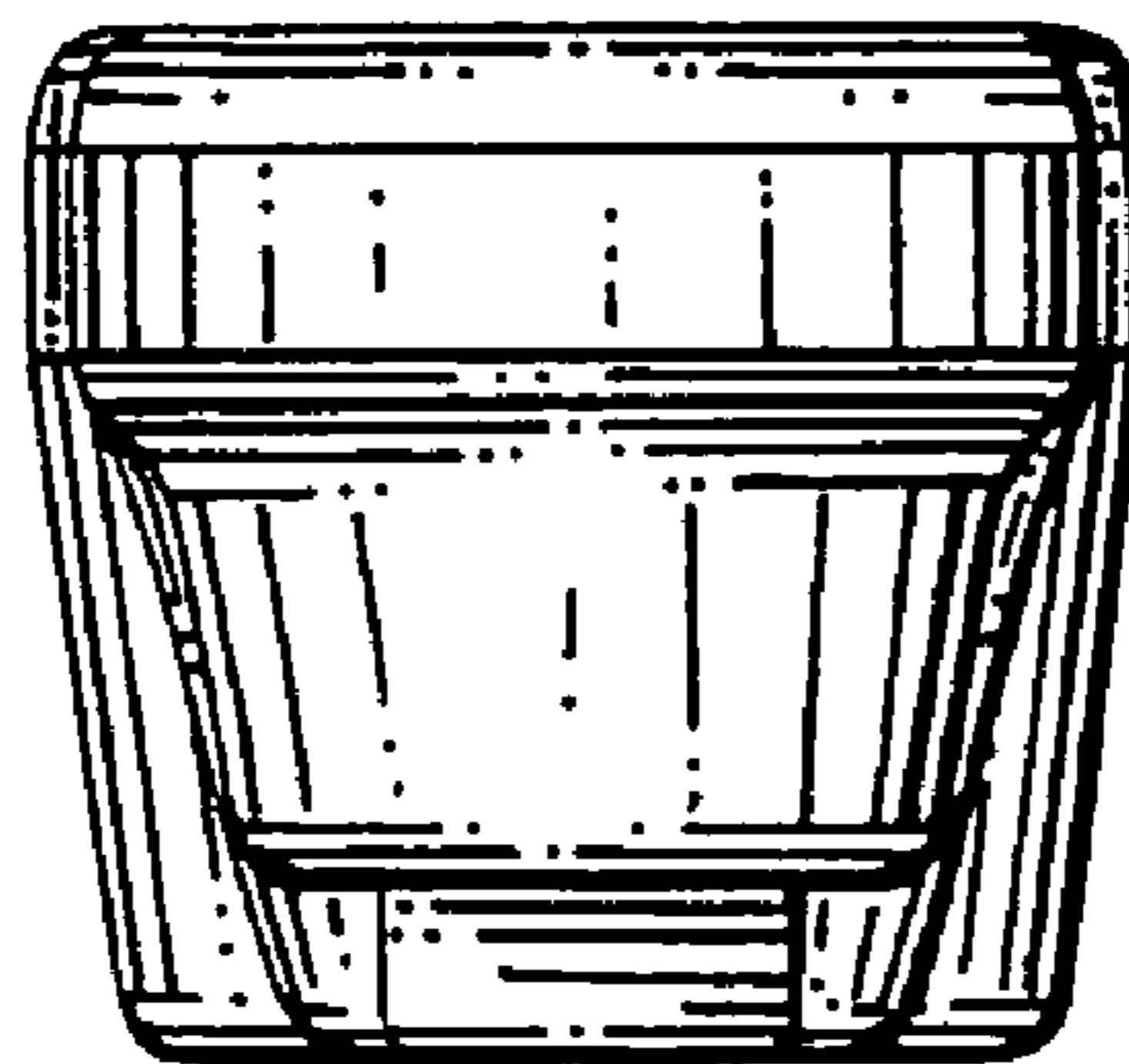


FIG. 5

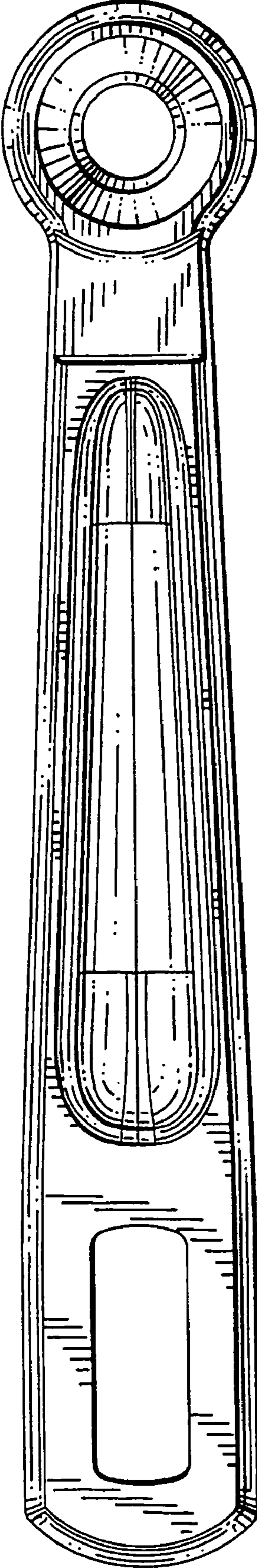


FIG. 6

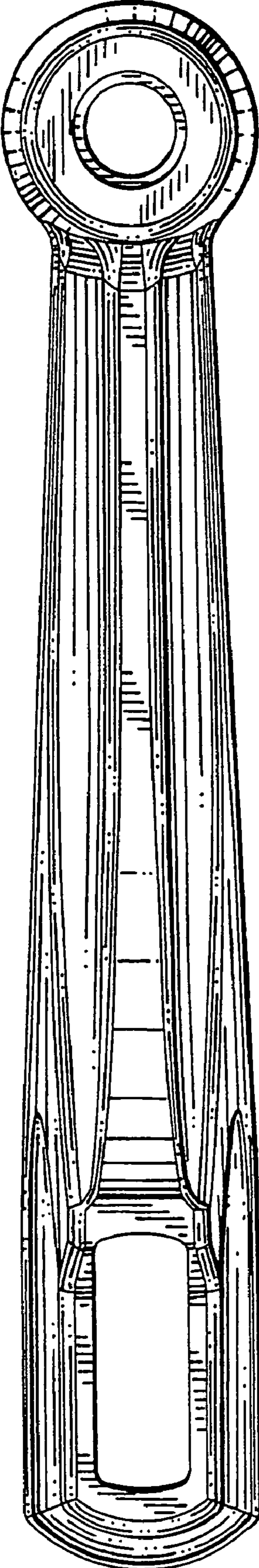


FIG. 7