



US00D588431S

(12) **United States Design Patent**
Fukano et al.

(10) **Patent No.:** **US D588,431 S**
(45) **Date of Patent:** **** Mar. 17, 2009**

(54) **ELECTRIC GRIPPER**

(75) Inventors: **Yoshihiro Fukano**, Tsukubamirai (JP);
Shoichi Makado, Tsukubamirai (JP)

(73) Assignee: **SMC Corporation**, Chiyoda-ku, Tokyo
(JP)

(**) Term: **14 Years**

(21) Appl. No.: **29/301,703**

(22) Filed: **Mar. 13, 2008**

(30) **Foreign Application Priority Data**

Sep. 14, 2007 (JP) 2007-025023

(51) **LOC (9) Cl.** **08-05**

(52) **U.S. Cl.** **D8/72**

(58) **Field of Classification Search** D8/71-74,
D8/394, 61; 248/689, 124.2; 81/487, 427,
81/9.3; 269/43, 218, 32-34; D15/140; 294/119.1
See application file for complete search history.

(56) **References Cited**

U.S. PATENT DOCUMENTS

- 4,607,873 A * 8/1986 Nusbaumer et al. 294/119.1
- D438,441 S * 3/2001 Nagai et al. D8/72
- 6,309,003 B1 * 10/2001 Bertini 294/119.1
- 6,505,871 B2 * 1/2003 McCormick 294/119.1
- 6,938,938 B2 * 9/2005 Risle et al. 294/119.1
- 2001/0038175 A1 * 11/2001 Nagai et al. 269/32
- 2002/0084564 A1 * 7/2002 Horn et al. 269/32

- 2004/0061268 A1 * 4/2004 Sawdon 269/32
- 2004/0113343 A1 * 6/2004 McIntosh et al. 269/32
- 2006/0113720 A1 * 6/2006 Ferroud Plattet et al. 269/32
- 2006/0163790 A1 * 7/2006 Xu et al. 269/32
- 2007/0069439 A1 * 3/2007 McIntosh et al. 269/32

* cited by examiner

Primary Examiner—T. Chase Nelson

Assistant Examiner—David G Muller

(74) *Attorney, Agent, or Firm*—Yoki & Co., U.S.A., Inc.;
Peter Ganjian

(57) **CLAIM**

The ornamental design for an electric gripper, as shown and described.

DESCRIPTION

FIG. 1 shows a front view of an electric gripper showing my new design;

FIG. 2 shows a rear view thereof;

FIG. 3 shows a top view thereof;

FIG. 4 shows a bottom view thereof;

FIG. 5 shows a left side view thereof;

FIG. 6 shows a right side view thereof; and,

FIG. 7 shows a bottom, front and left side perspective view thereof.

The portions of the design shown in broken lines in FIGS. 2, 3 and 6, and areas within those broken lines, form no part of the claimed design.

1 Claim, 4 Drawing Sheets

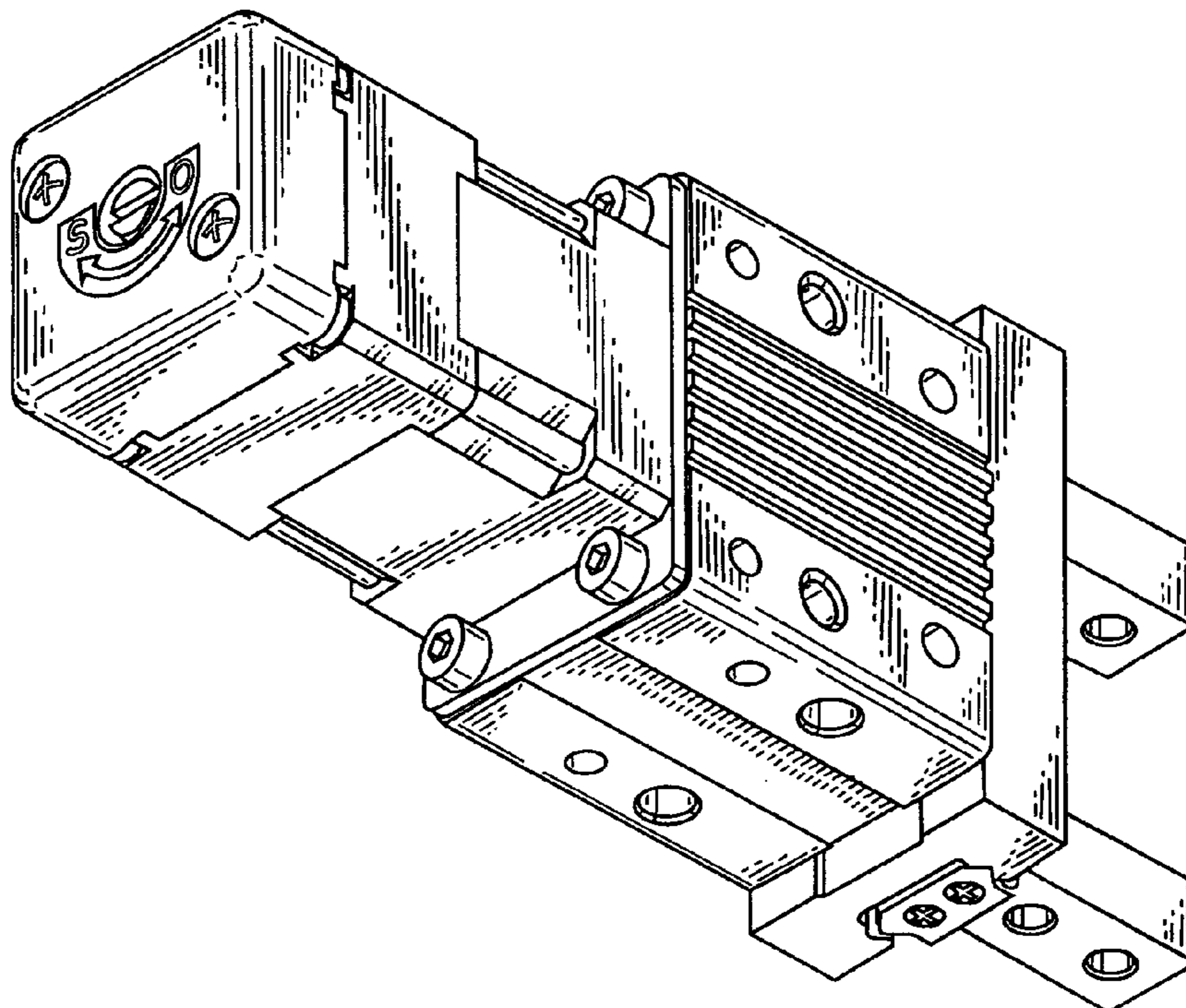


FIG. 1

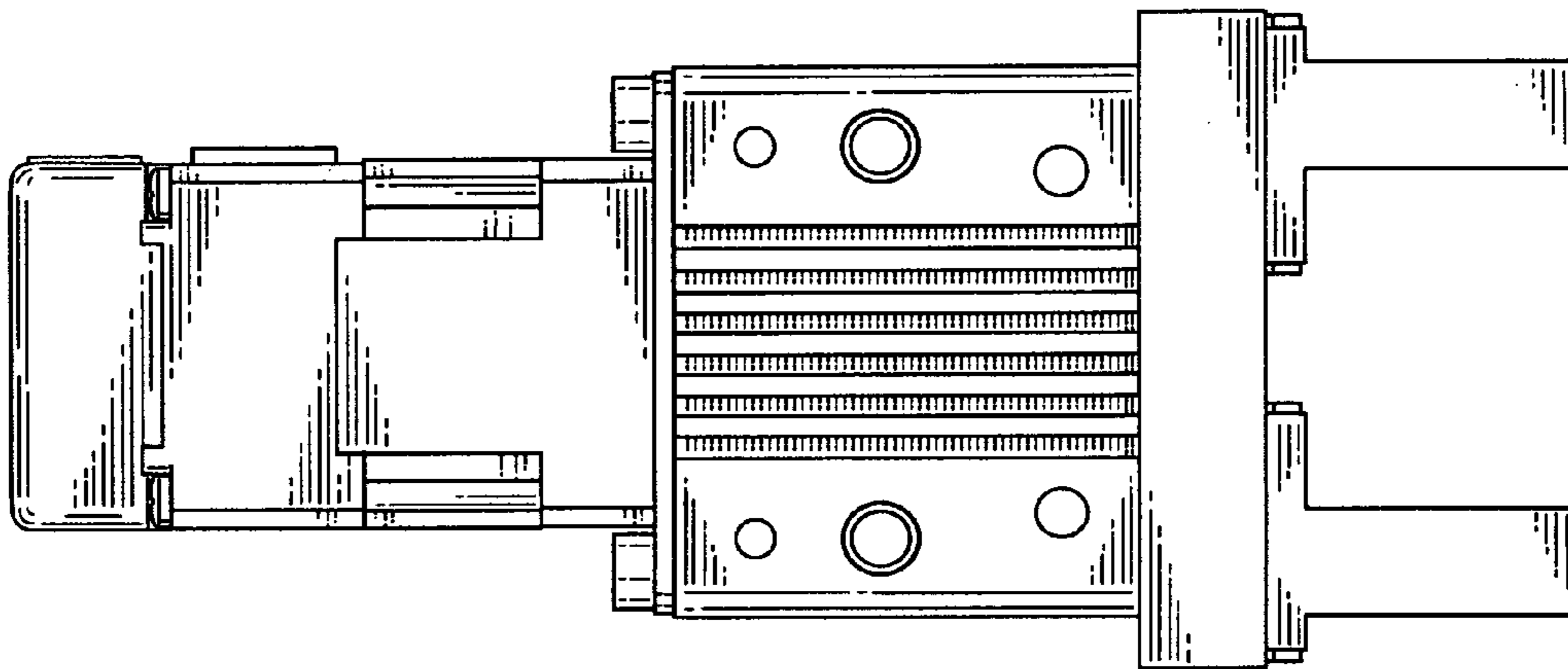


FIG. 2

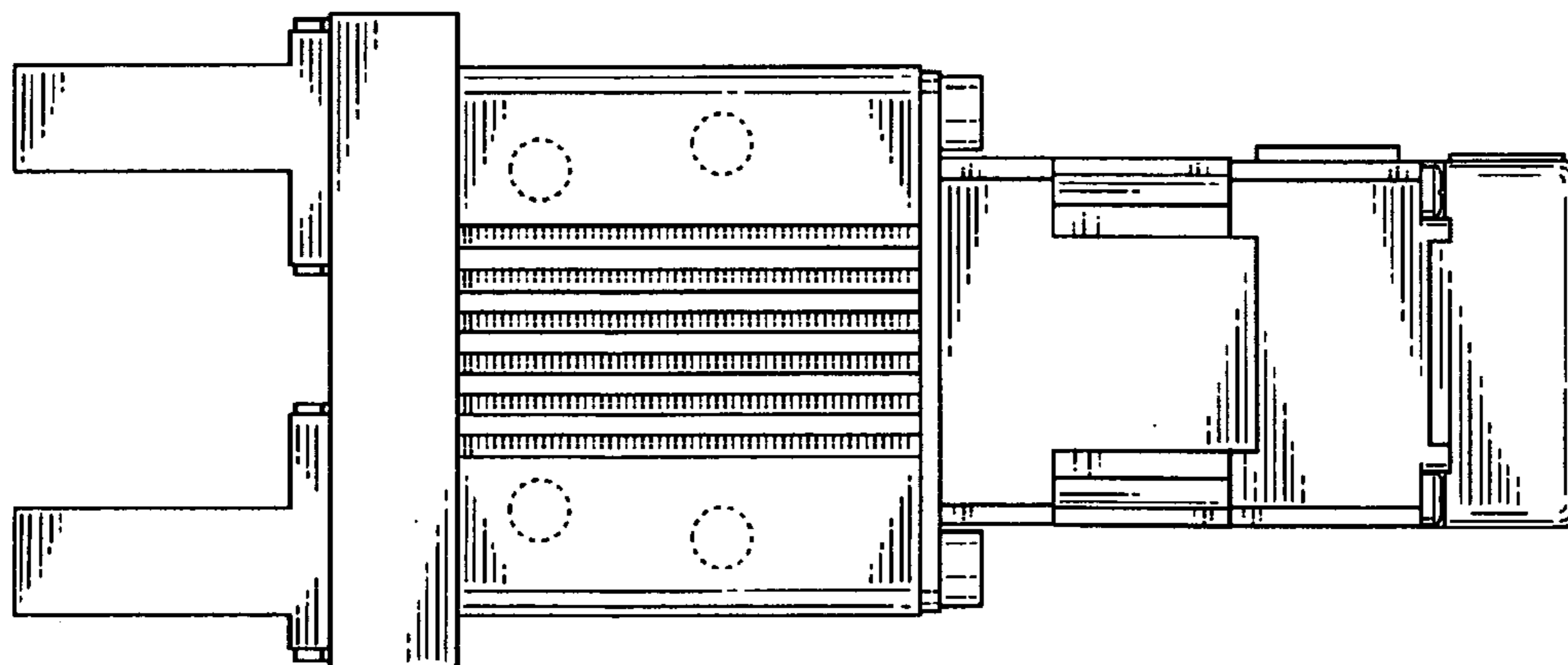


FIG. 3

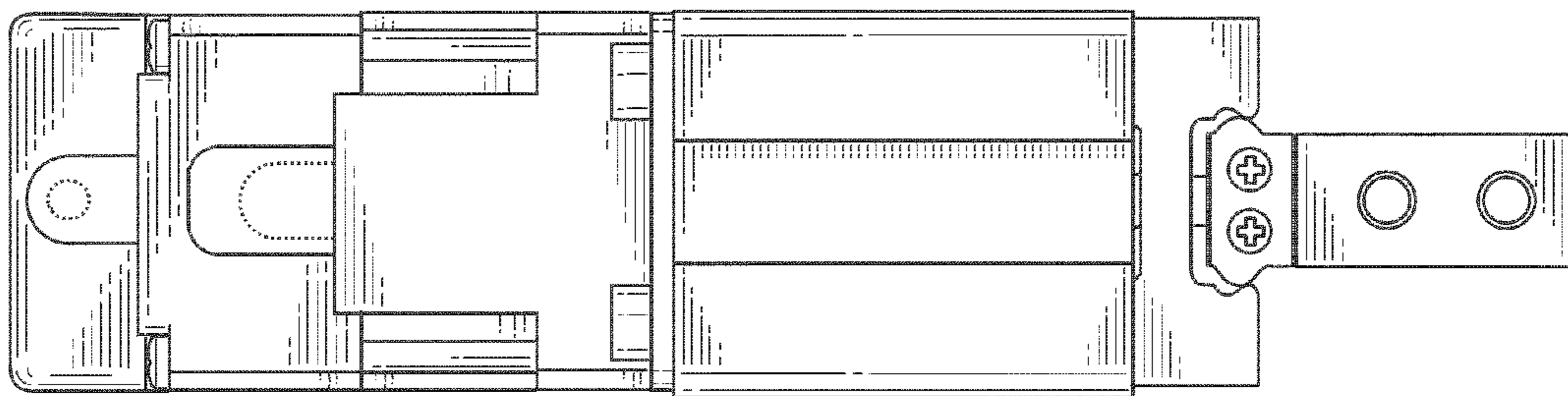


FIG. 4

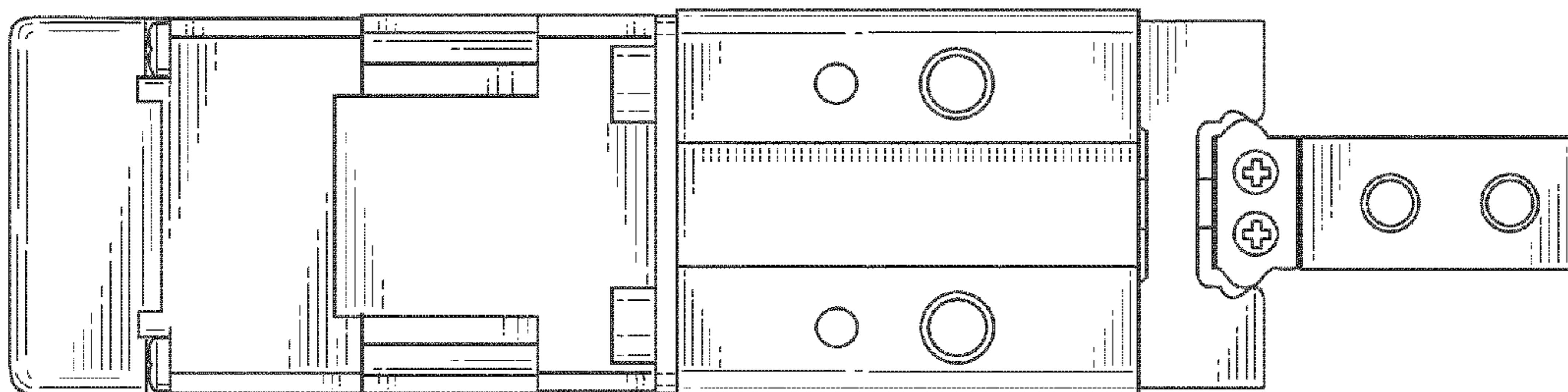


FIG. 5

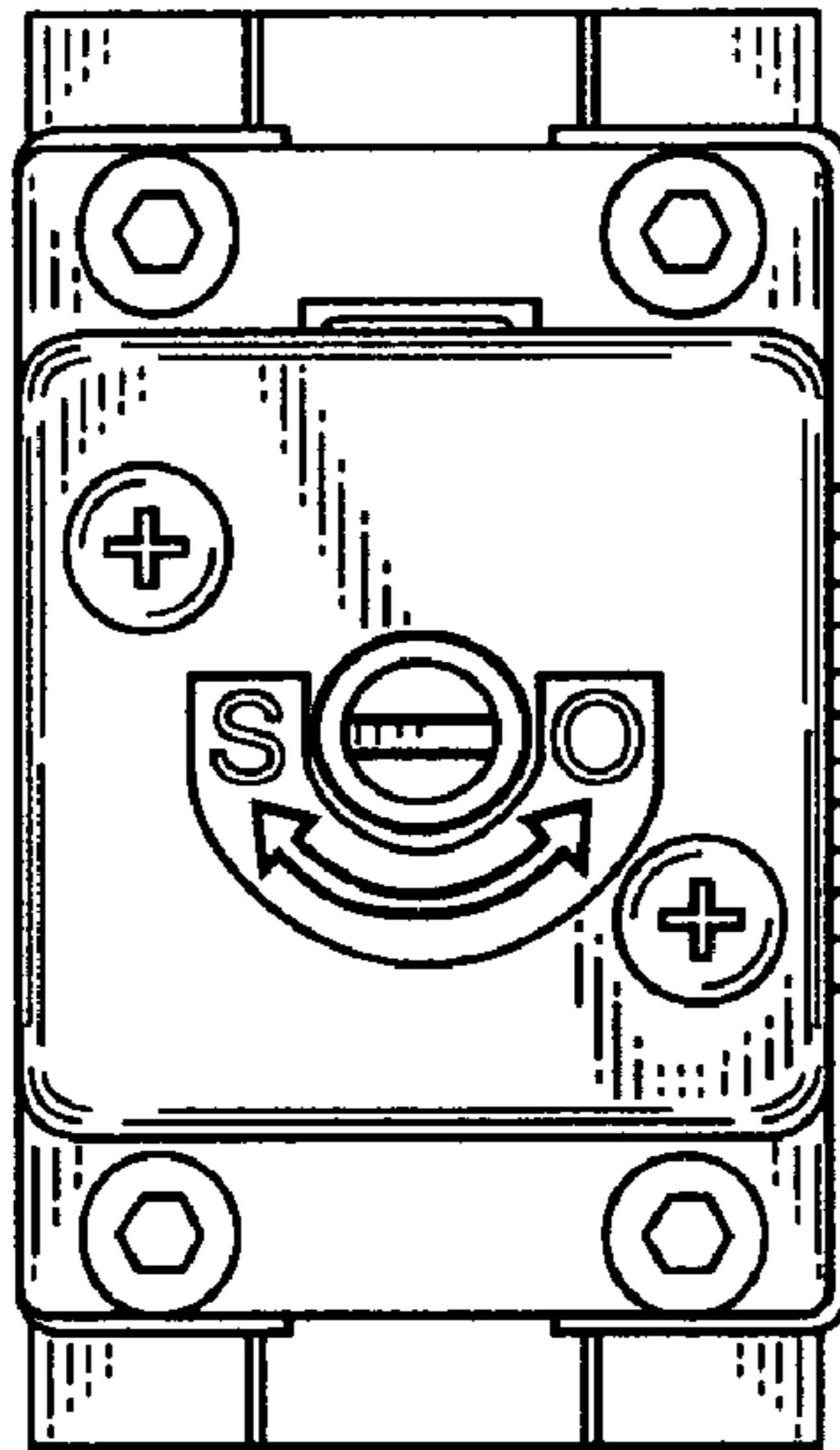


FIG. 6

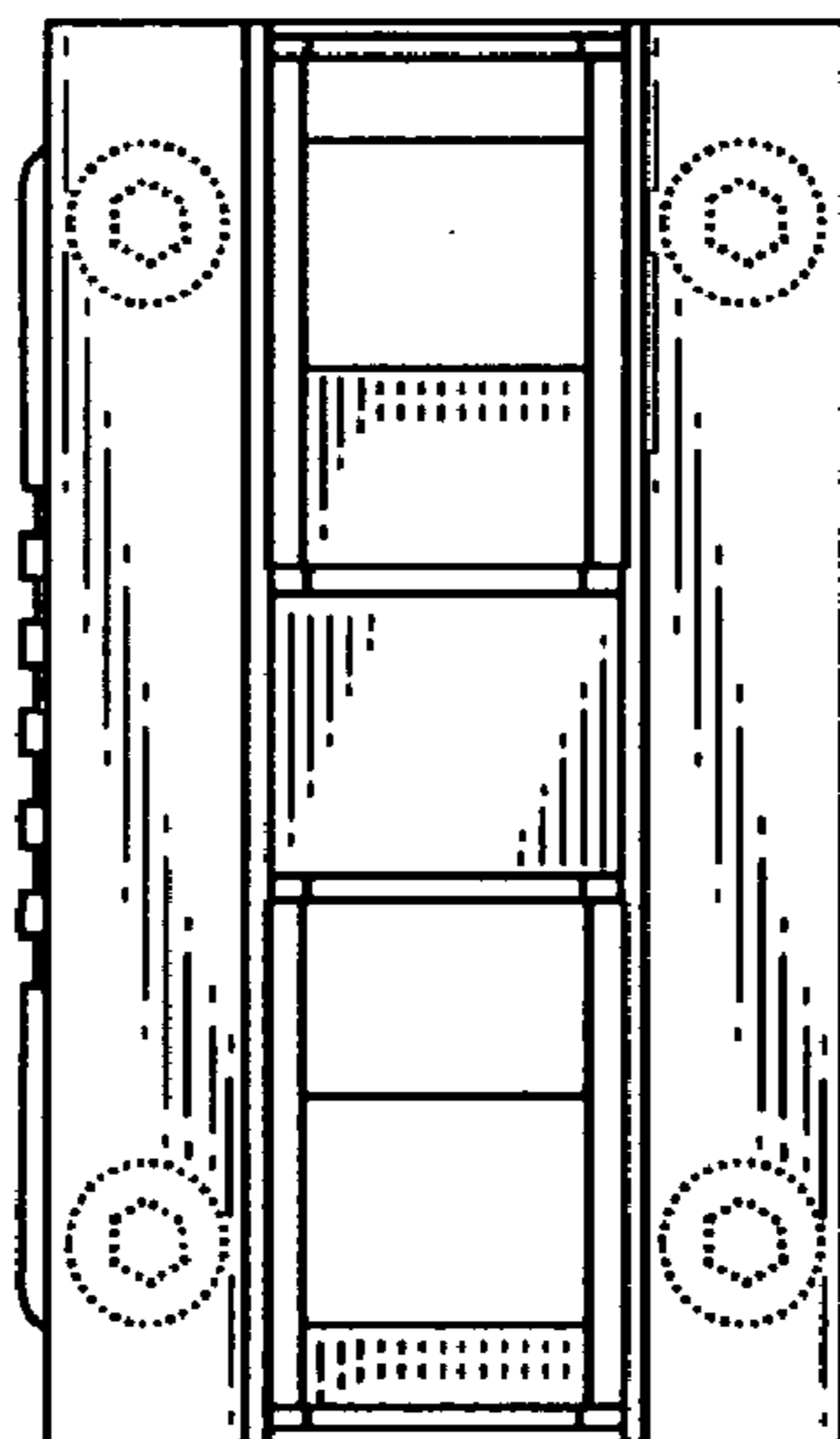


FIG. 7

