



US00D588428S

(12) **United States Design Patent**
Etter et al.

(10) **Patent No.:** **US D588,428 S**

(45) **Date of Patent:** **** *Mar. 17, 2009**

(54) **ROUTER**

(75) Inventors: **Mark A. Etter**, Humboldt, TN (US);
Jeremy D. Leasure, Jackson, TN (US)

(73) Assignee: **Black & Decker Inc.**, Newark, DE (US)

(**) Term: **14 Years**

(21) Appl. No.: **29/215,188**

(22) Filed: **Oct. 14, 2004**

(51) **LOC (9) Cl.** **08-01**

(52) **U.S. Cl.** **D8/67**

(58) **Field of Classification Search** D8/61,
D8/67, 70, 107; 409/182, 180, 134, 132,
409/131; 144/48.6, 252.1, 154.5, 136.95

See application file for complete search history.

4,938,264 A	7/1990	Ferenczffy
4,938,642 A	7/1990	Imahashi et al.
5,005,617 A	4/1991	Michaels
5,013,196 A	5/1991	Friegang
5,078,557 A	1/1992	McCraken
5,088,865 A	2/1992	Beth et al.
5,094,575 A	3/1992	Kieser et al.
5,117,879 A *	6/1992	Payne 144/48.6
5,188,492 A	2/1993	McCracken
5,207,253 A *	5/1993	Hoshino et al. 144/136.95
D340,174 S *	10/1993	Hoshino et al. D8/67
D341,305 S *	11/1993	Svetlik D8/70
D349,637 S	8/1994	Hoshino et al.
5,368,424 A	11/1994	Bettenhausen
D364,790 S	12/1995	Duennes
5,503,203 A	4/1996	Stornetta
5,570,776 A	11/1996	Buchholz et al.

(Continued)

FOREIGN PATENT DOCUMENTS

DE 3940910 6/1991

(Continued)

(56) **References Cited**

U.S. PATENT DOCUMENTS

1,581,720 A	4/1926	Carter
1,904,109 A	4/1933	Wendorf
D103,977 S	4/1937	Myers
3,363,510 A	1/1968	Burrows et al.
D213,761 S	4/1969	Lee
3,494,394 A	2/1970	Stock
3,767,876 A	10/1973	Batson
3,881,081 A	4/1975	Schilling et al.
4,051,880 A	10/1977	Hestily
4,316,685 A	2/1982	George
4,319,860 A *	3/1982	Beares 409/182
4,323,100 A	4/1982	Silken
4,445,811 A	5/1984	Sanders
4,562,872 A	1/1986	Fushiya et al.
4,566,512 A	1/1986	Wilson
4,566,830 A	1/1986	Maier et al.
D283,590 S	4/1986	Ibaraki
4,606,685 A	8/1986	Maier et al.
D286,132 S	10/1986	Yamamoto
4,652,191 A	3/1987	Bernier
4,770,573 A	9/1988	Monobe
D300,501 S	4/1989	Zurwelle
4,827,996 A	5/1989	Cotton et al.
RE33,045 E	9/1989	Gronholz

Primary Examiner—Cathron C Brooks

Assistant Examiner—Austin Murphy

(74) *Attorney, Agent, or Firm*—Rhonda L. Barton; Scott B. Markow

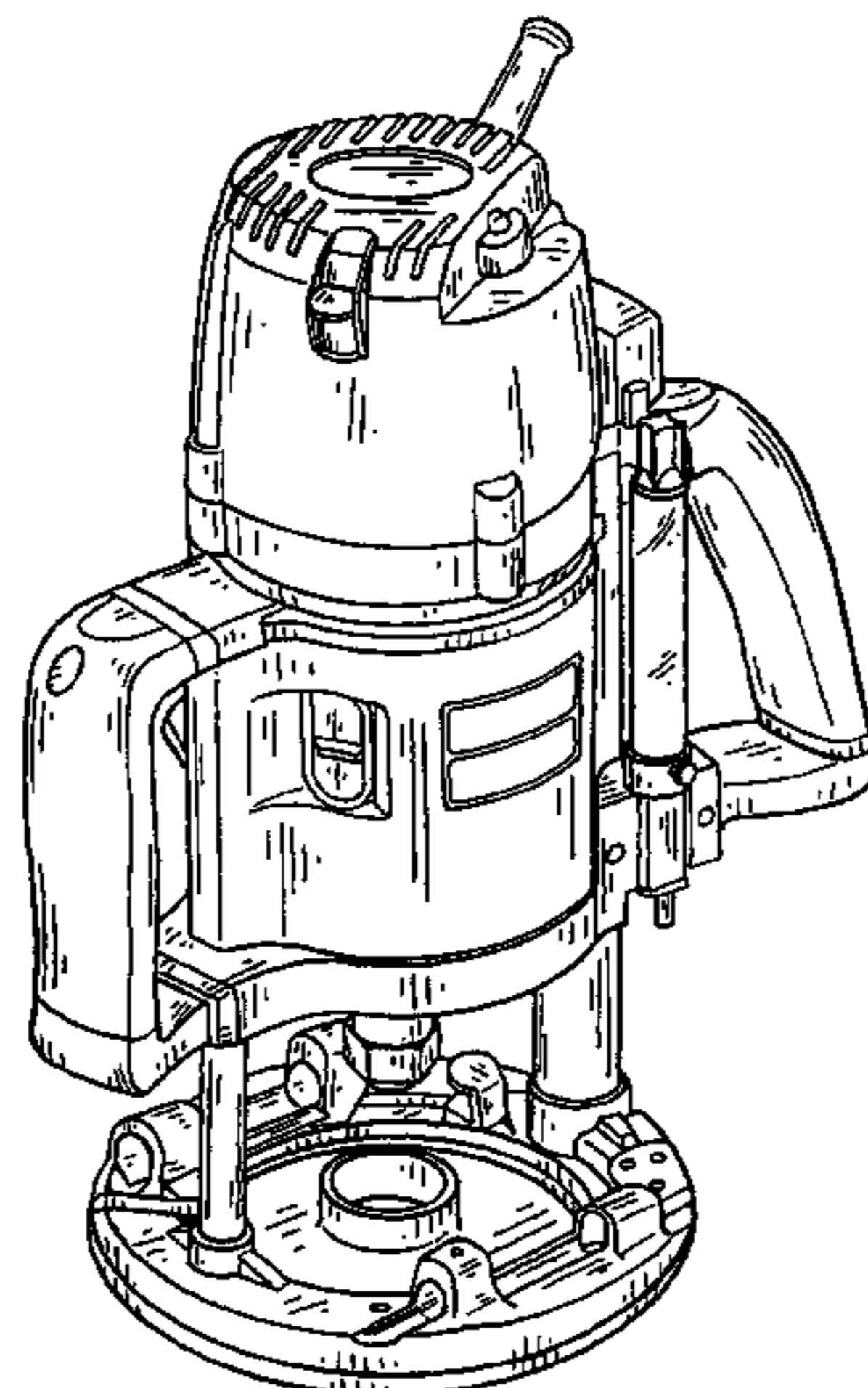
(57) **CLAIM**

We claim the ornamental design for a router, as shown and described.

DESCRIPTION

FIG. 1 is an isometric view showing our new design;
FIG. 2 is top plan view showing our new design;
FIG. 3 is a left side elevation view thereof;
FIG. 4 is a front elevation view thereof;
FIG. 5 is a right side elevation view thereof;
FIG. 6 is rear elevation view thereof; and,
FIG. 7 is a bottom plan view thereof.

1 Claim, 3 Drawing Sheets



US D588,428 S

Page 2

U.S. PATENT DOCUMENTS

5,584,620 A 12/1996 Blickhan
5,671,789 A * 9/1997 Stolzer et al. 144/154.5
5,740,847 A 4/1998 Lakso
5,853,273 A 12/1998 Coffey
5,909,987 A 6/1999 Coffey et al.
5,913,645 A 6/1999 Coffey
D416,460 S 11/1999 Bosten
6,024,144 A 2/2000 Qian
6,182,723 B1 * 2/2001 Bosten et al. 144/154.5
D444,364 S 7/2001 Evans
6,261,036 B1 7/2001 Bosten et al.
D511,078 S * 11/2005 Baumgaertner D8/67
2005/0201839 A1 * 9/2005 Freese et al. 409/182

FOREIGN PATENT DOCUMENTS

DE 1628945 4/1997
EP 0936033 8/1999
EP 1010497 6/2000
GB 1015225 12/1965
GB 1590290 5/1981
GB 2078028 12/1981
GB 2145678 4/1985
GB 2196571 5/1988
GB 2248987 4/1992
WO WO87/04276 7/1987

* cited by examiner

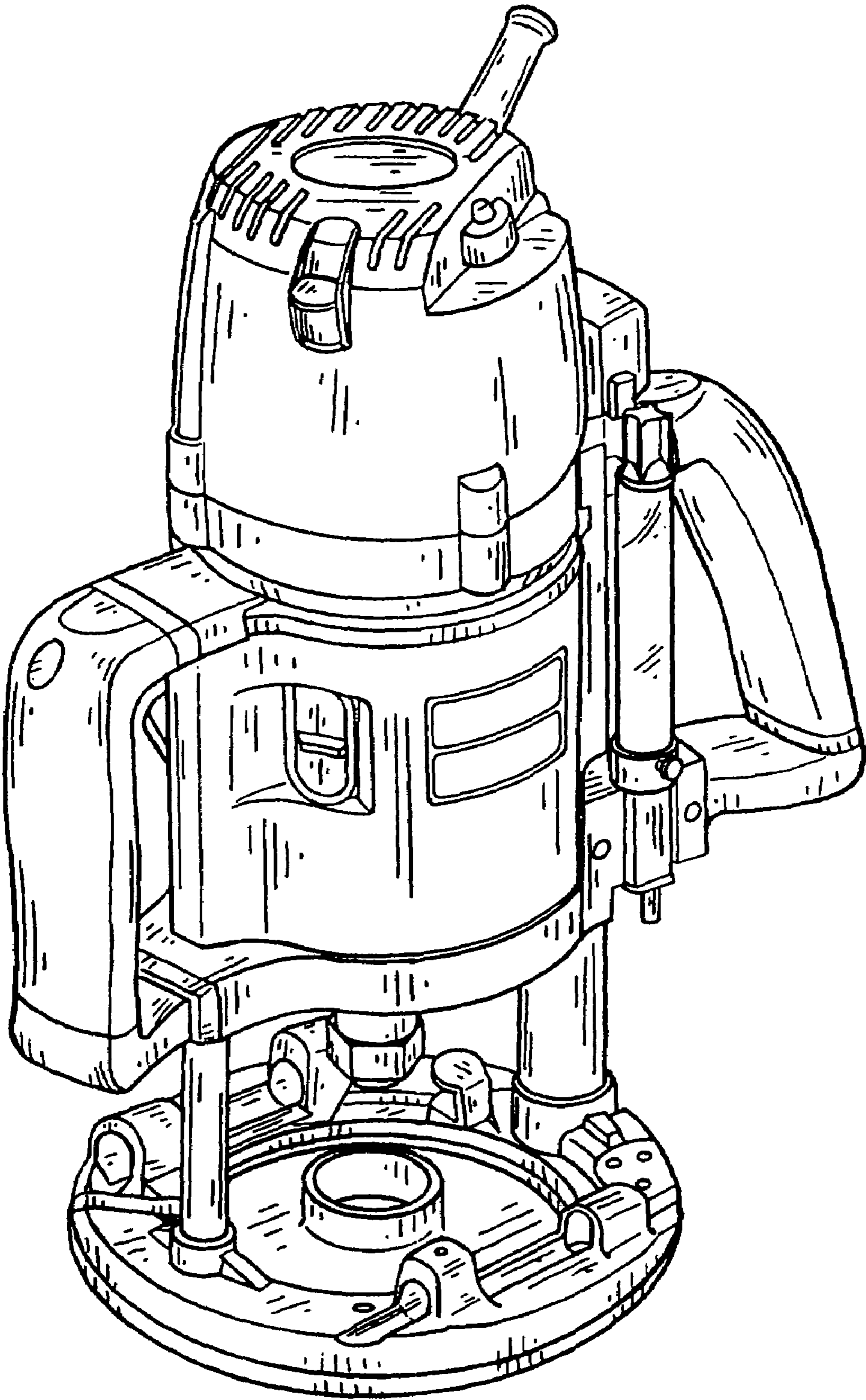


FIG. 1

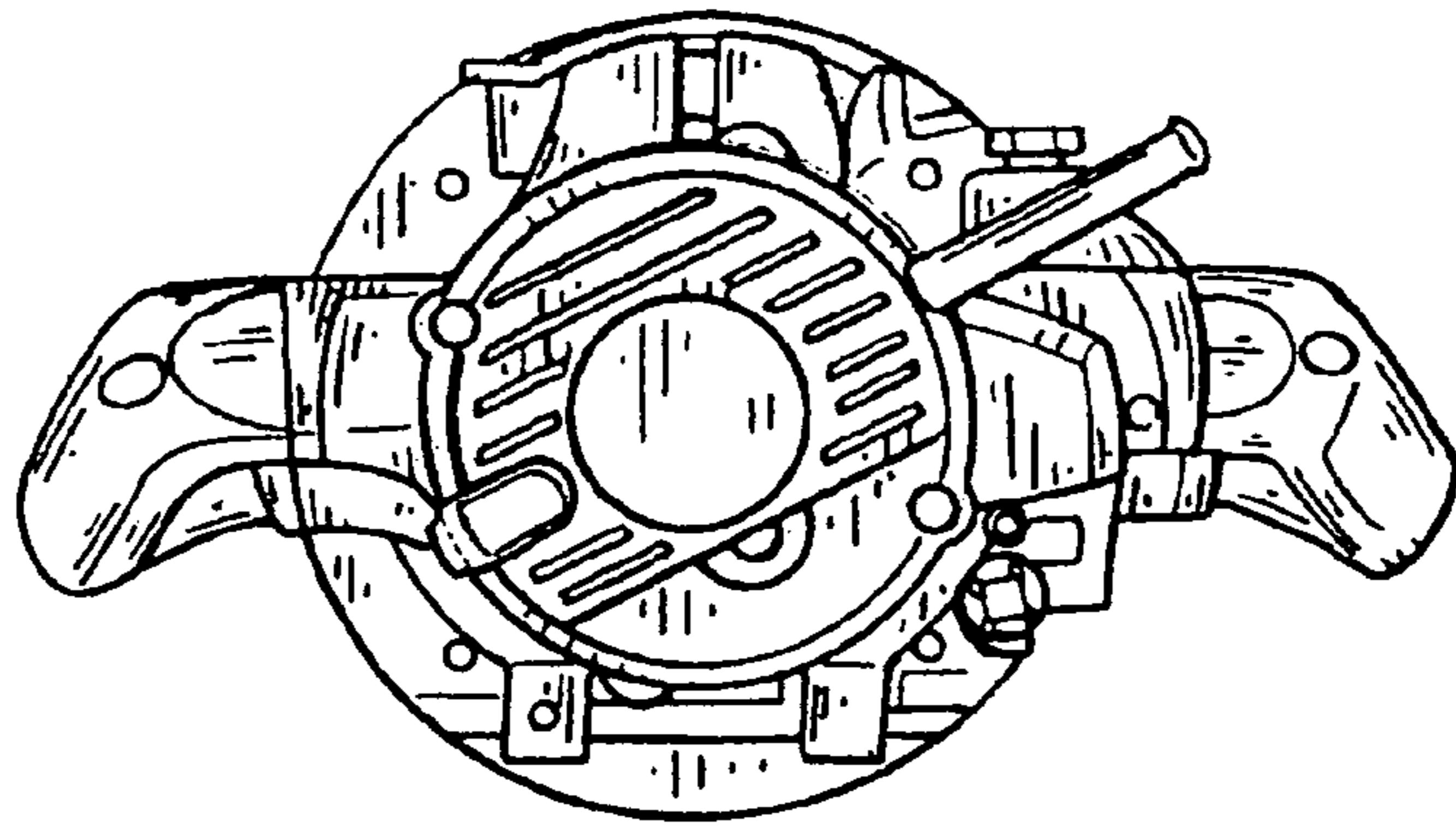


FIG 2

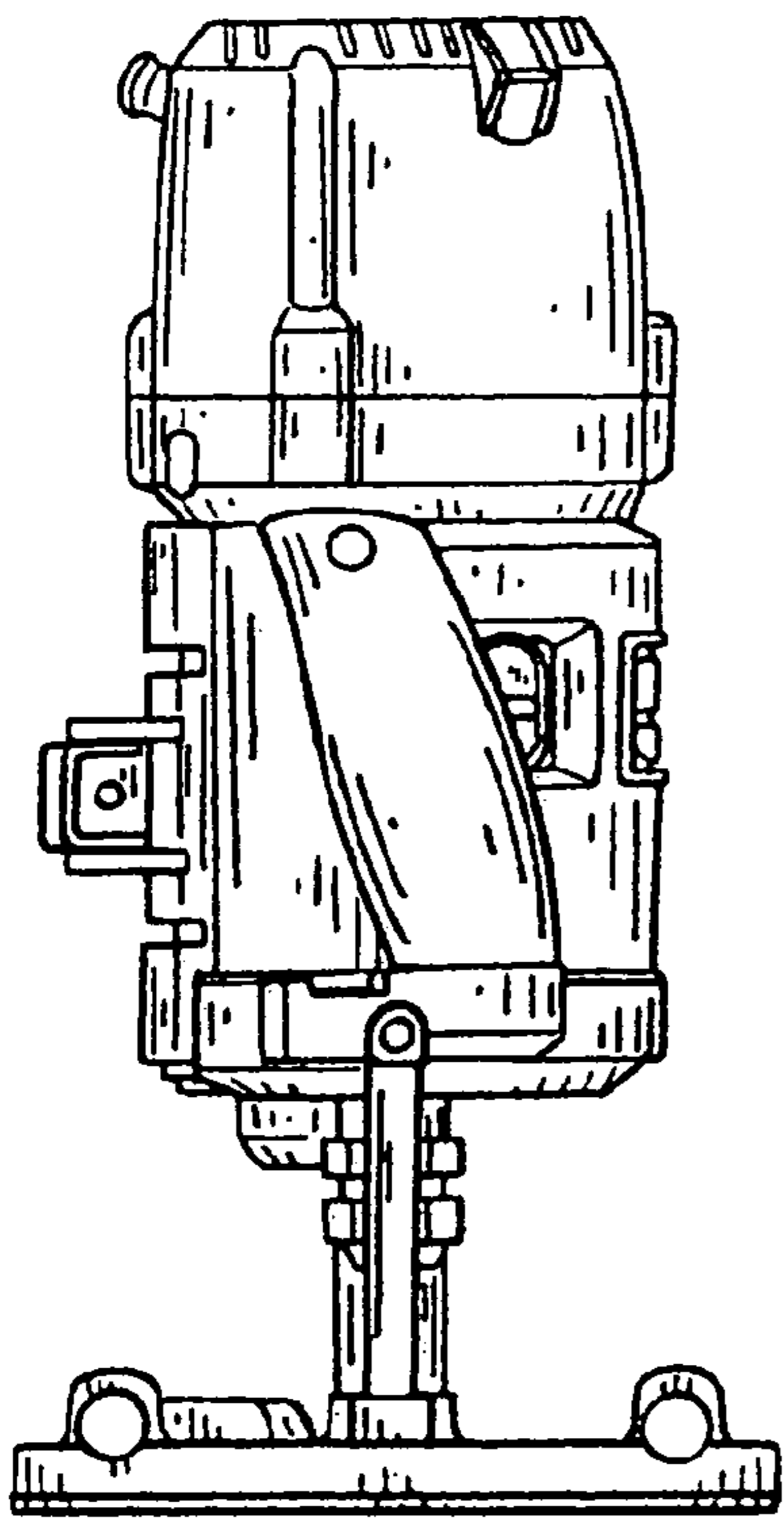


FIG 3

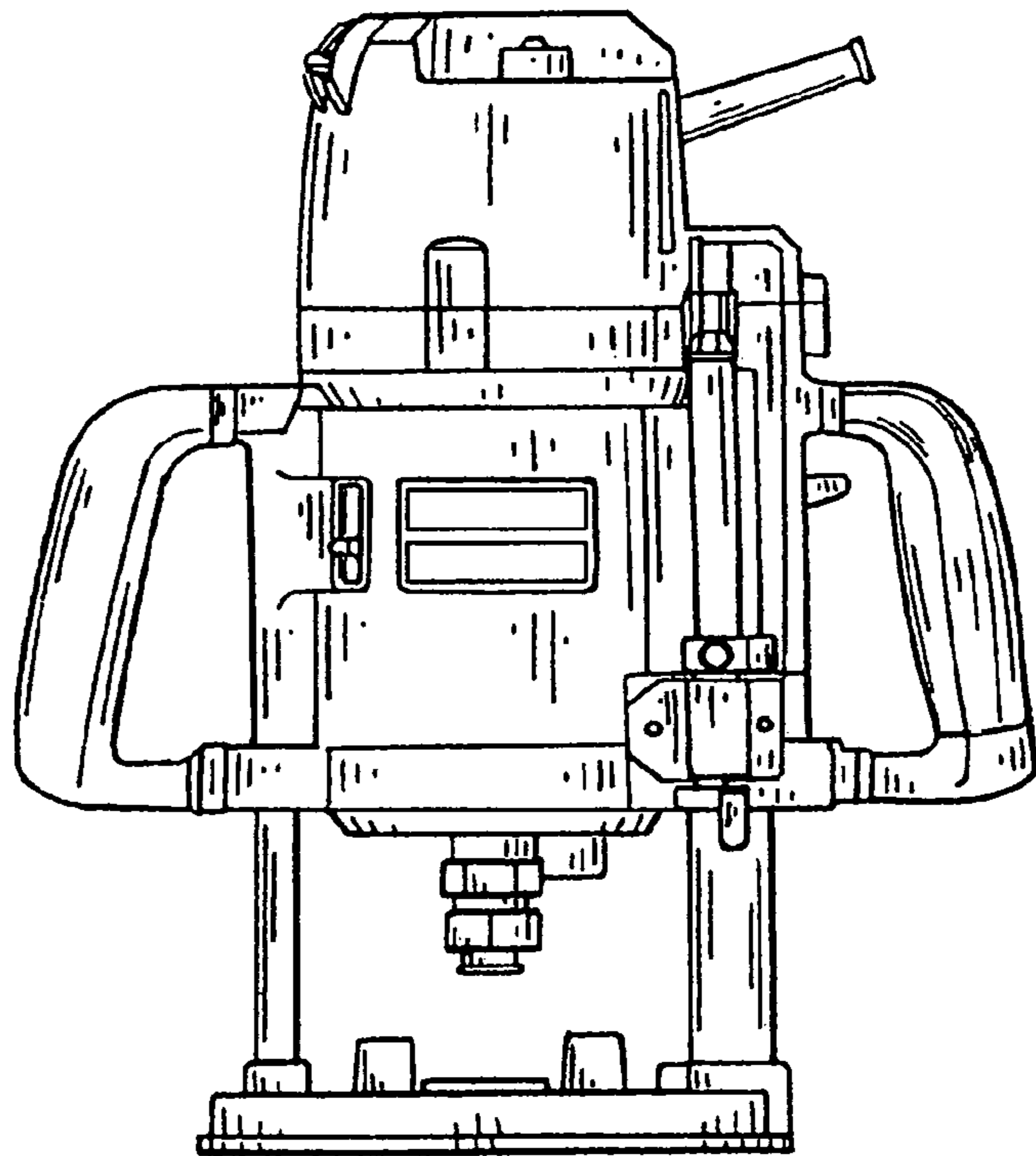


FIG 4

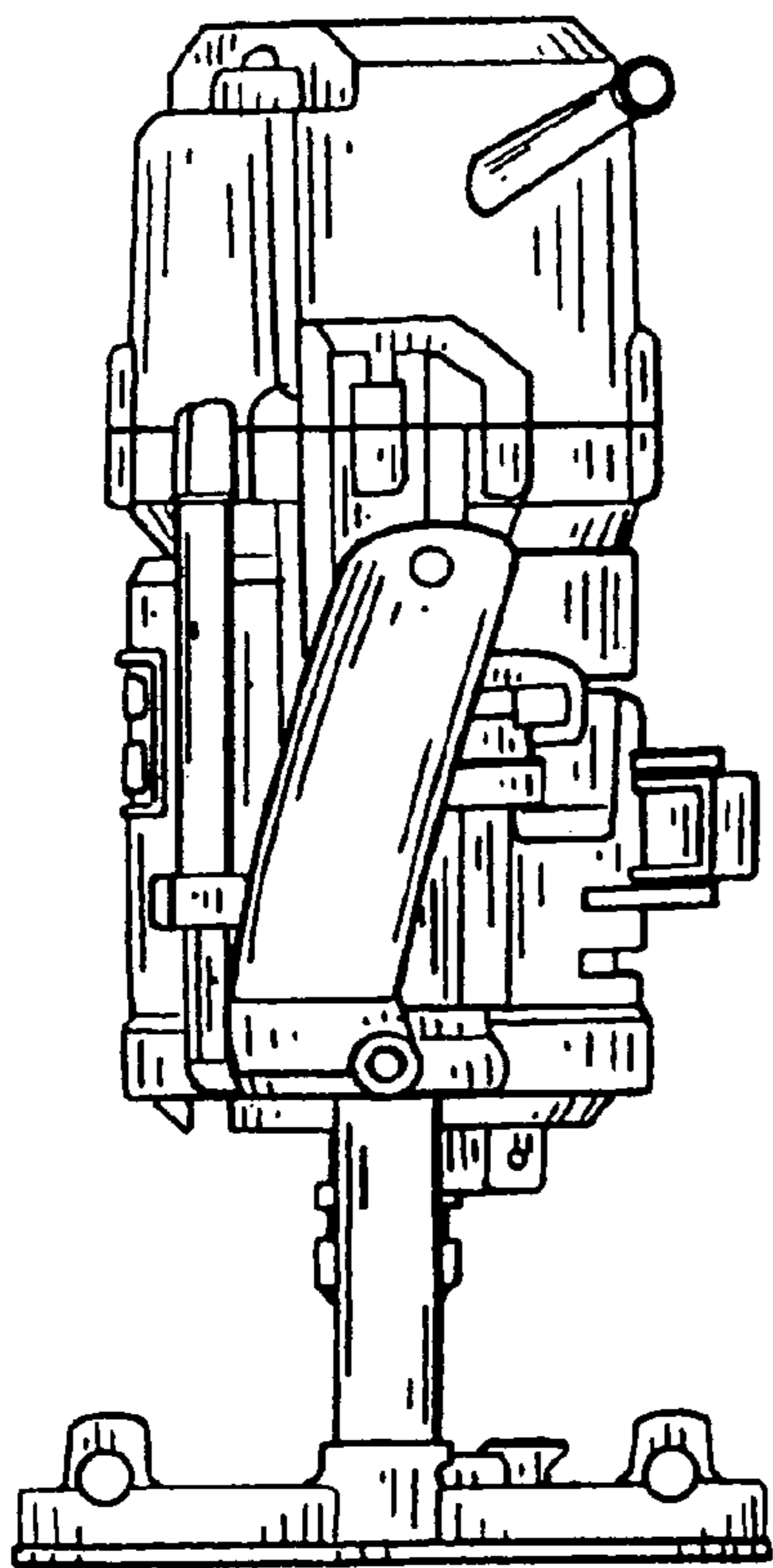


FIG. 5

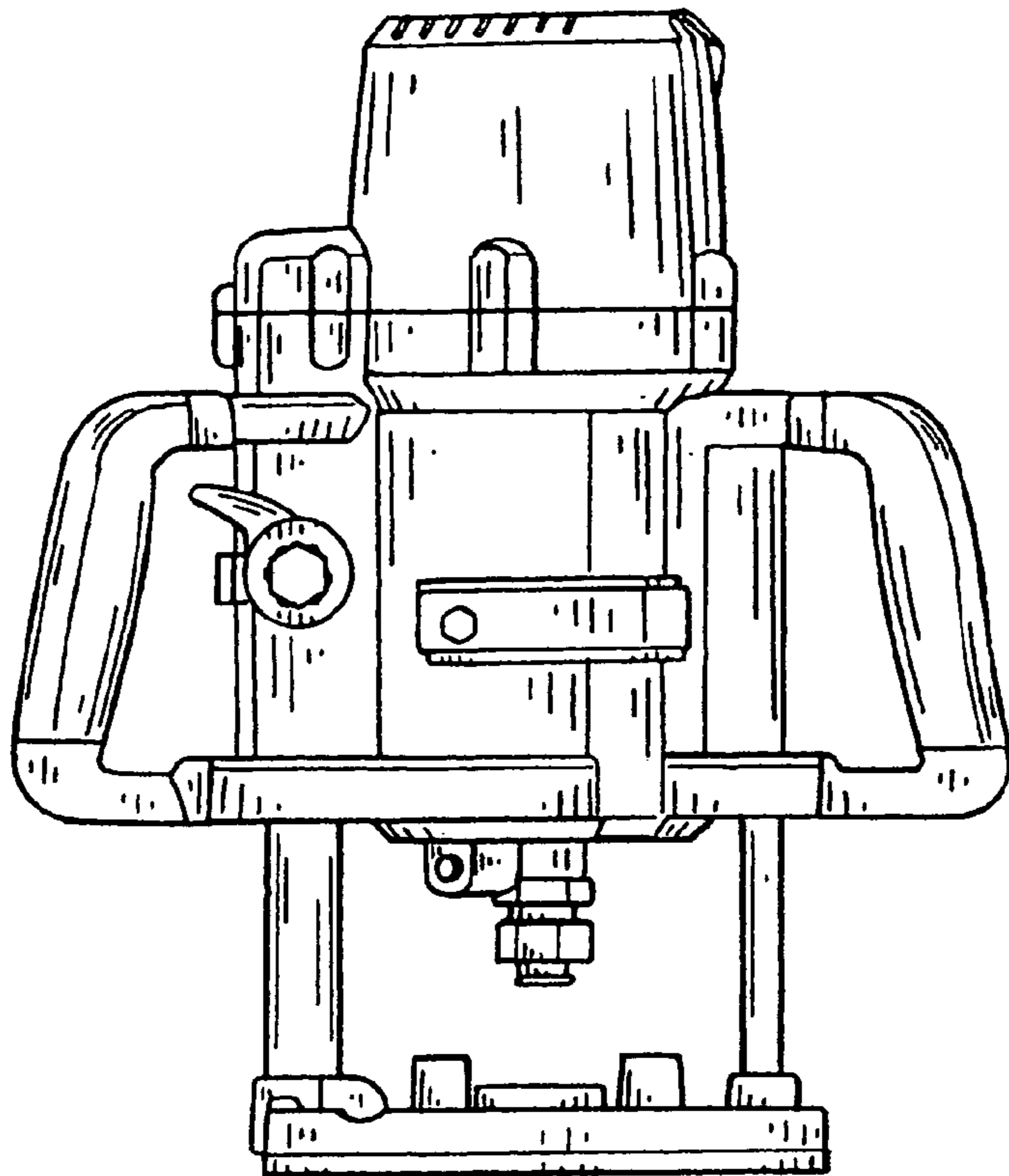


FIG. 6

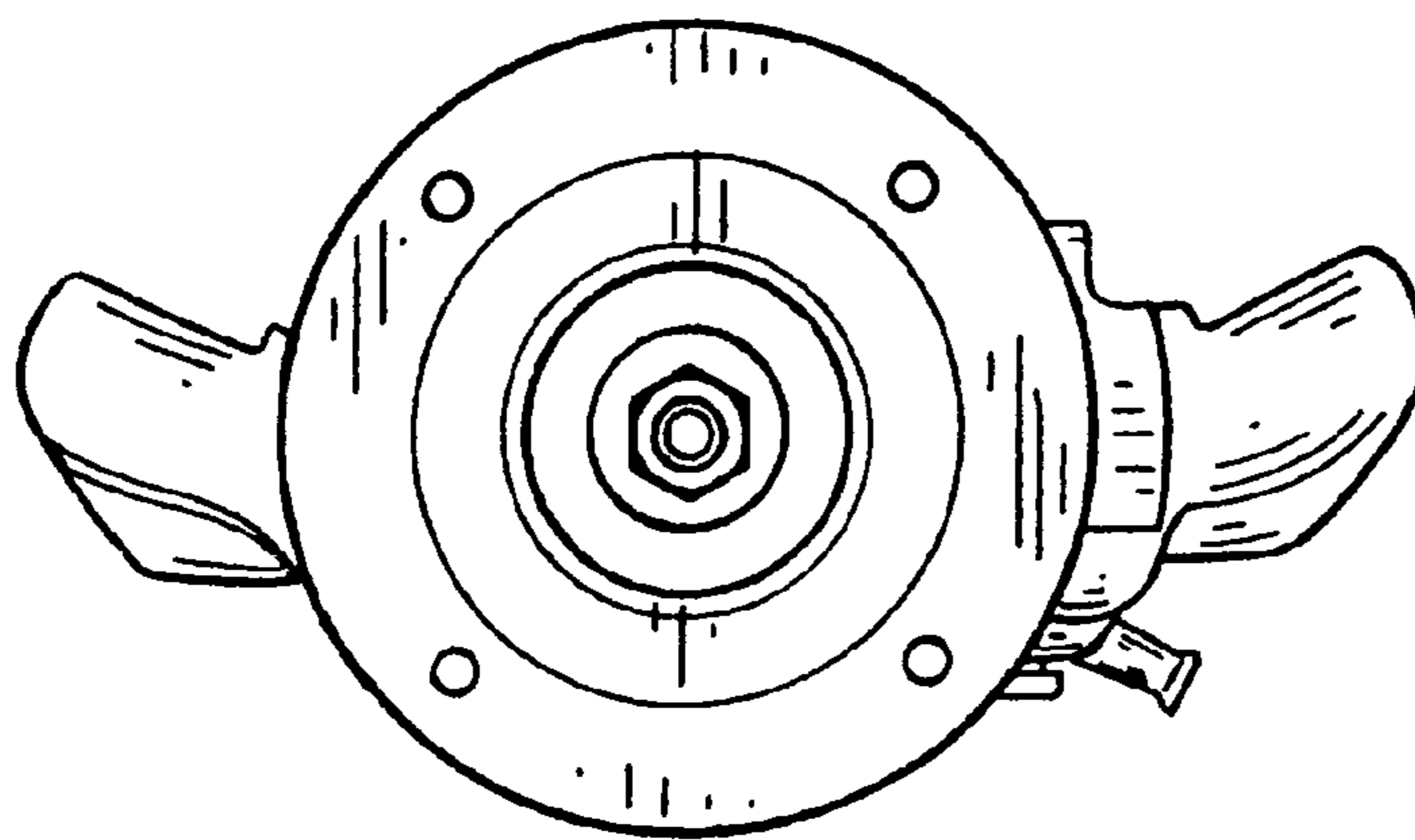


FIG. 7