



US00D588426S

(12) **United States Design Patent**
Martin

(10) **Patent No.:** **US D588,426 S**
(45) **Date of Patent:** **** Mar. 17, 2009**

(54) **TROWEL WITH WEB GRIP**

(76) Inventor: **John Martin**, 963 Turtle Crest Dr.,
Irvine, CA (US) 92603

(**) Term: **14 Years**

(21) Appl. No.: **29/303,295**

(22) Filed: **Feb. 5, 2008**

(51) **LOC (9) Cl.** **08-05**

(52) **U.S. Cl.** **D8/45**

(58) **Field of Classification Search** D8/14,
D8/45; 15/235.4, 235.5, 235.6, 236.08, 236.01,
15/236.06; 30/169

See application file for complete search history.

(56) **References Cited**

U.S. PATENT DOCUMENTS

D277,927	S	*	3/1985	Zieglmeier	D8/45
D289,882	S	*	5/1987	Gringer	D8/45
5,522,111	A	*	6/1996	Kelsay et al.	15/235.4
D376,522	S	*	12/1996	Tena	D8/45
5,713,096	A	*	2/1998	Kelsay et al.	15/235.4
5,791,009	A	*	8/1998	McComber et al.	15/235.4
6,247,204	B1	*	6/2001	Hamby et al.	16/436
D506,658	S	*	6/2005	Jimenez	D8/45

D519,012	S	*	4/2006	Miller	D8/45
D530,589	S	*	10/2006	Wang	D8/107
D557,578	S	*	12/2007	Miller et al.	D8/45
D561,548	S	*	2/2008	Martin	D8/45
7,370,384	B2	*	5/2008	Miller et al.	15/236.08

* cited by examiner

Primary Examiner—Philip S Hyder

(74) *Attorney, Agent, or Firm*—Kelly Lowry & Kelley LLP

(57) **CLAIM**

The ornamental design for a trowel with web grip, as shown.

DESCRIPTION

FIG. 1 is a top, front and right-perspective view of a trowel with web grip embodying my new design;

FIG. 2 is a front elevational view thereof;

FIG. 3 is a rear elevational view thereof;

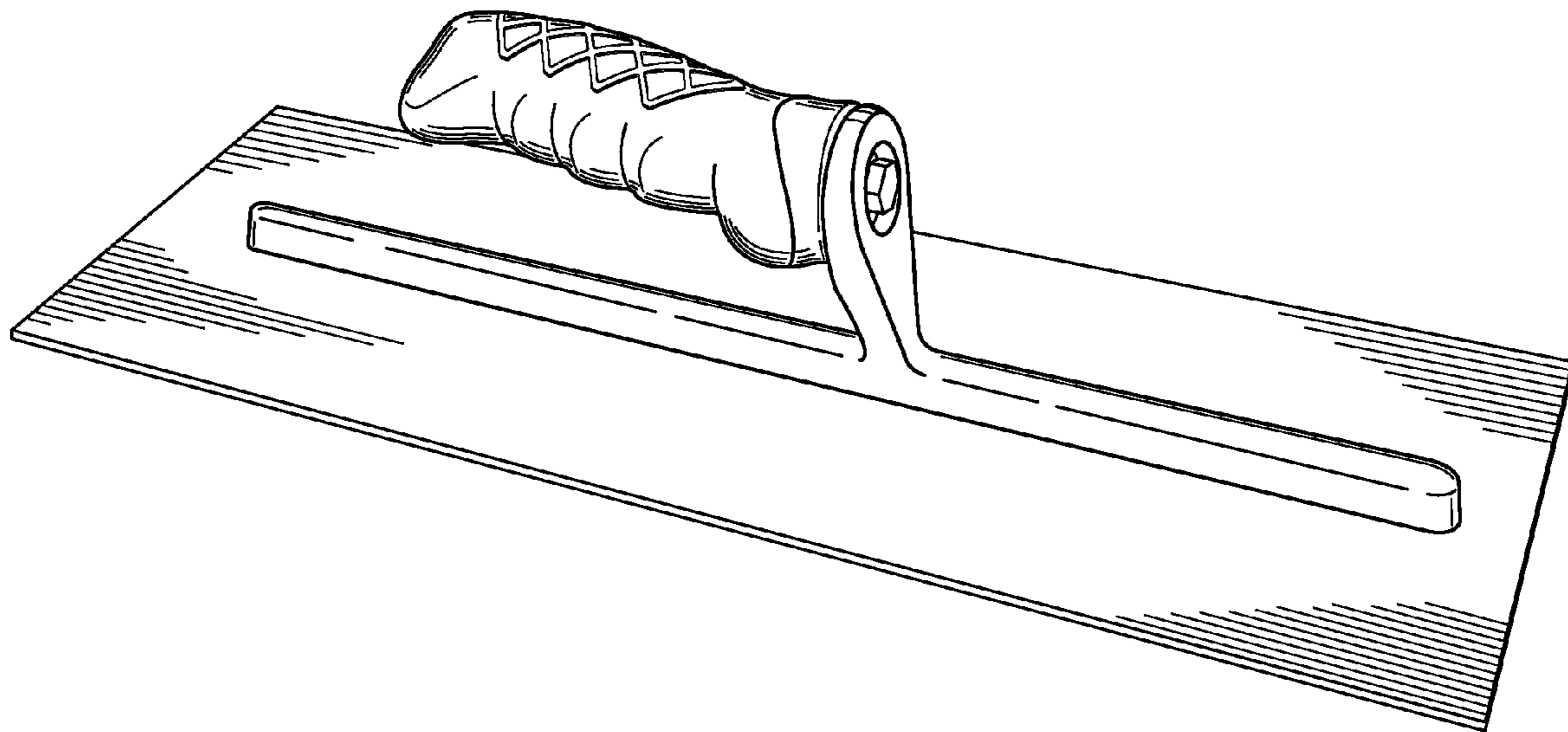
FIG. 4 is a right-side elevational view thereof;

FIG. 5 is a left-side elevational view thereof;

FIG. 6 is a top plan view thereof; and,

FIG. 7 is a bottom plan view thereof.

1 Claim, 3 Drawing Sheets



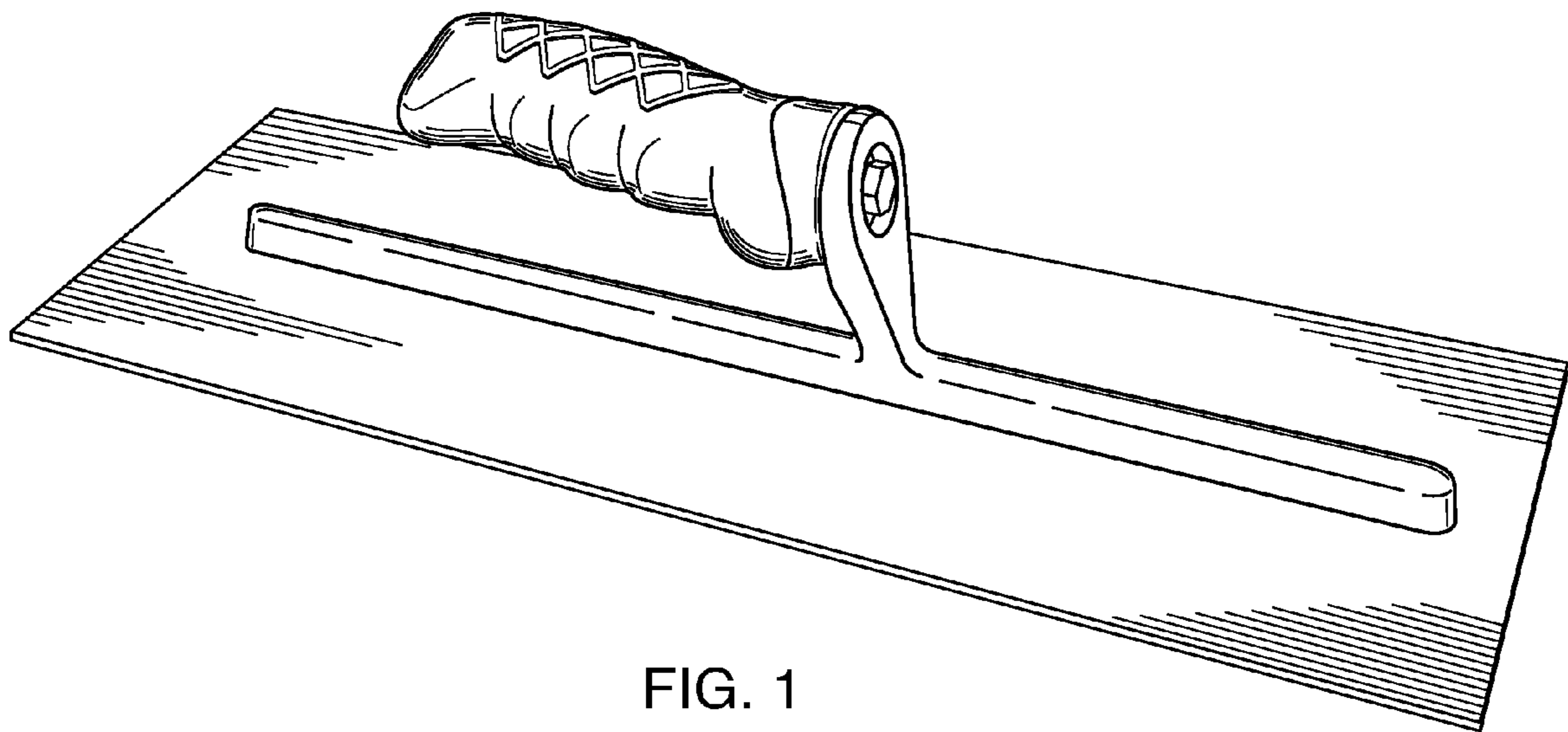


FIG. 1

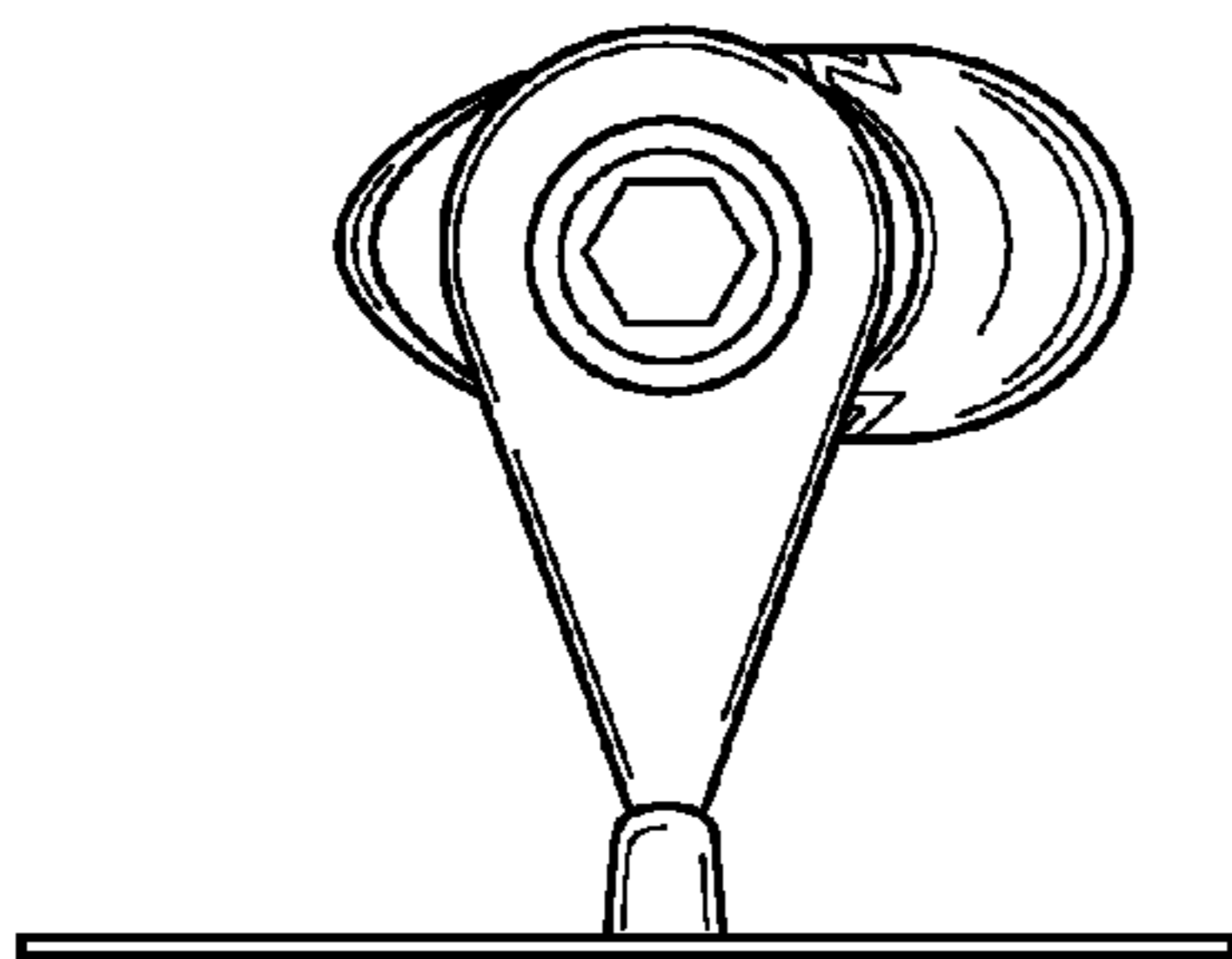


FIG. 2

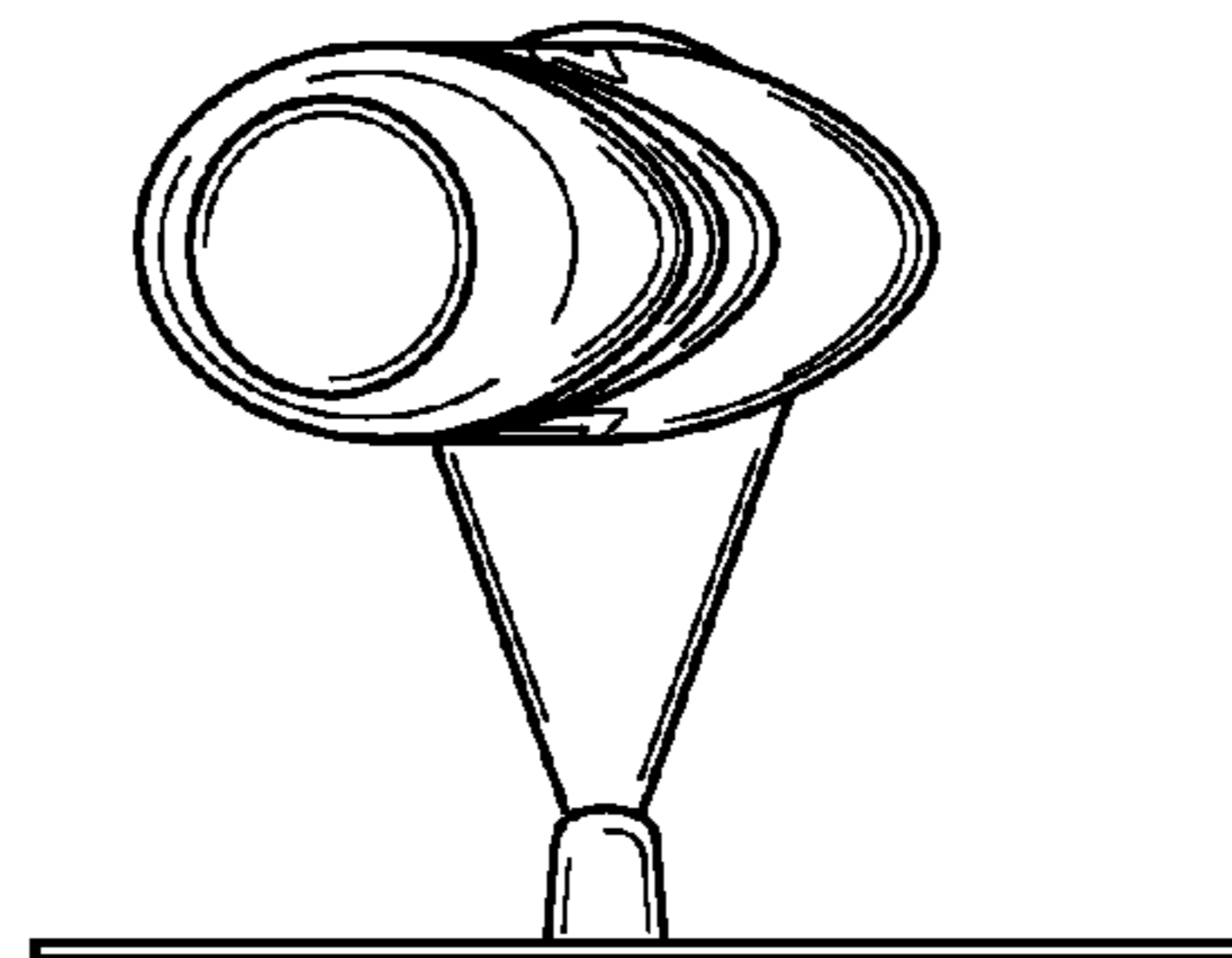


FIG. 3

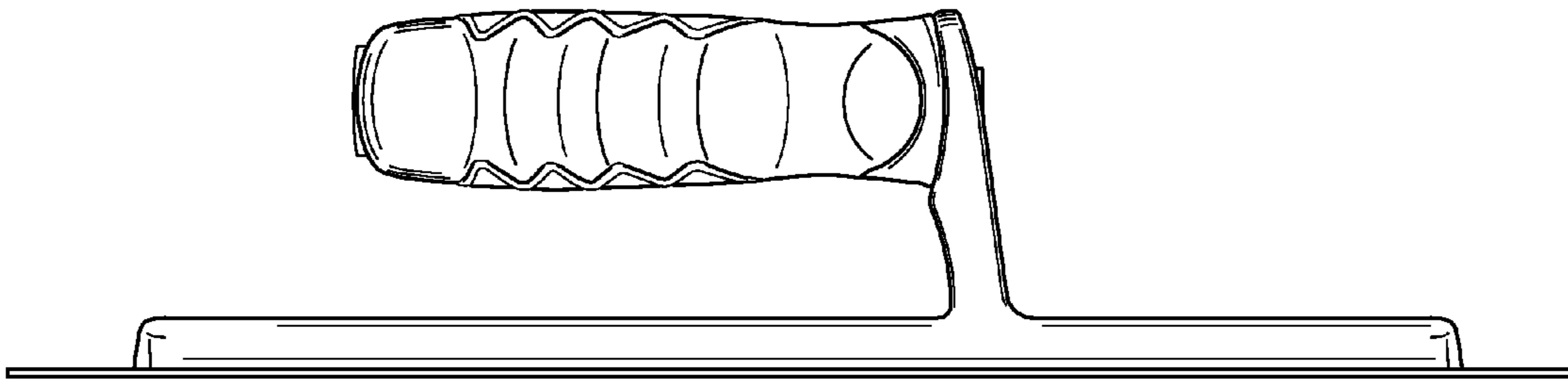


FIG. 4

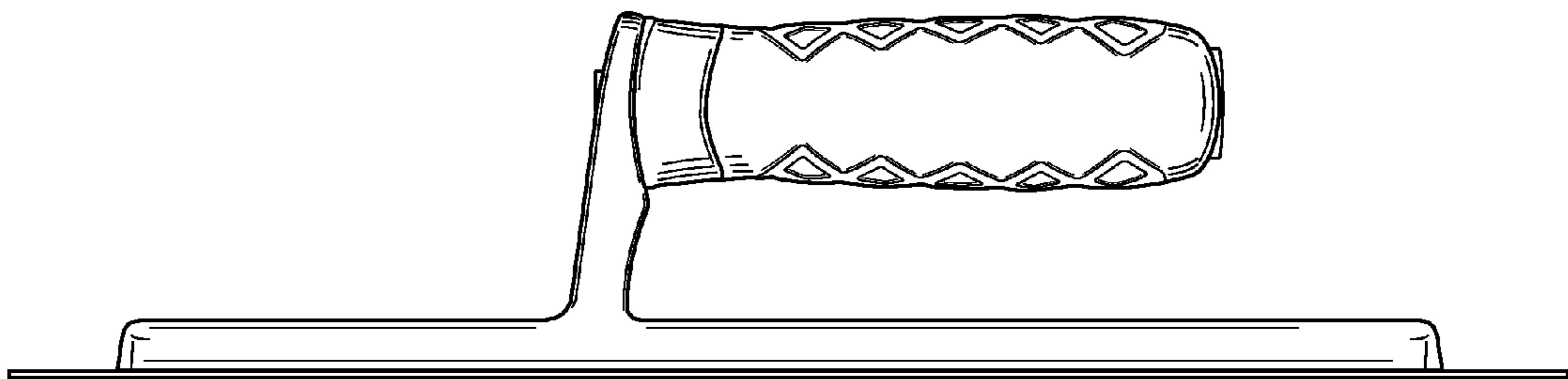


FIG. 5

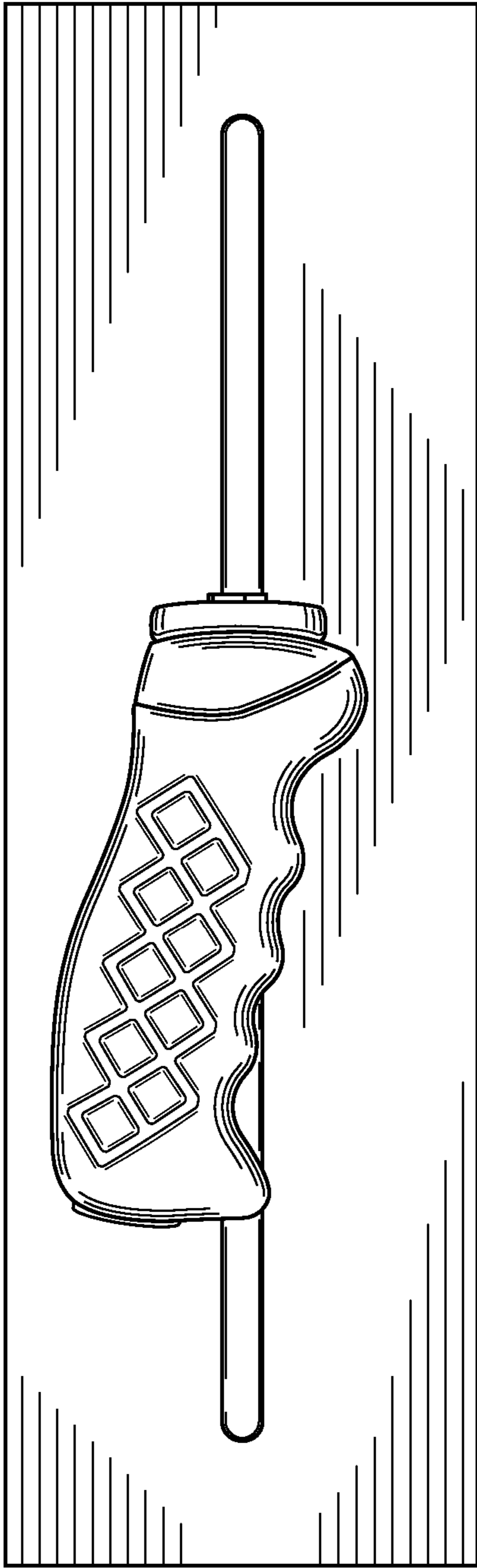


FIG. 6

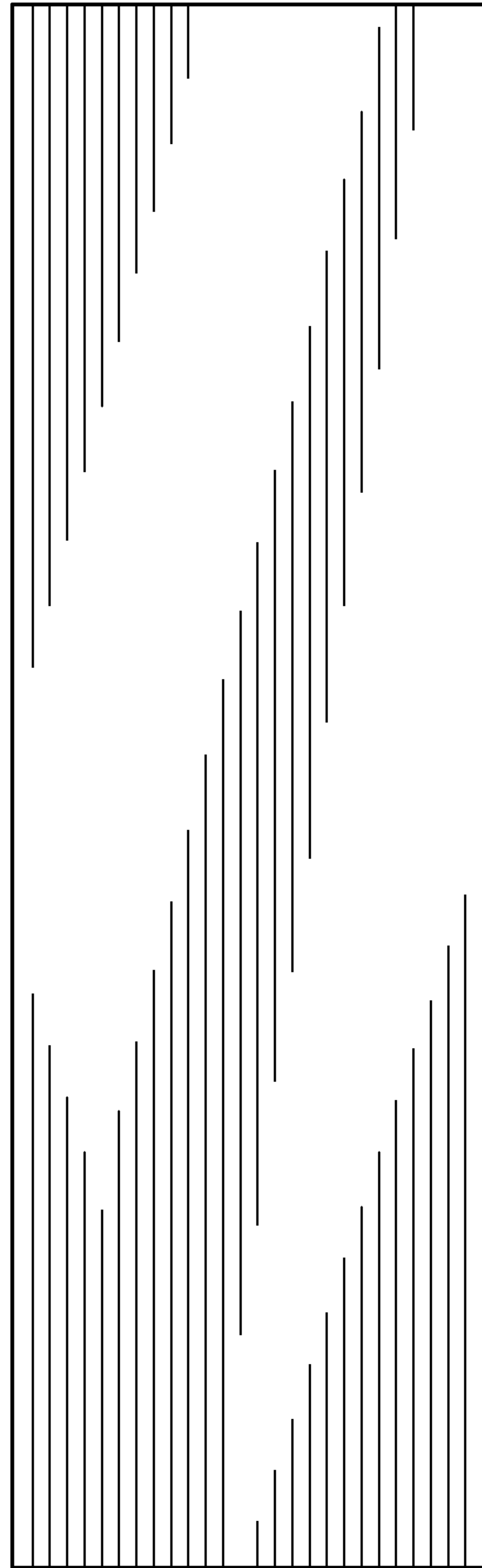


FIG. 7