



US00D588425S

(12) **United States Design Patent**
Kelleghan

(10) **Patent No.:** **US D588,425 S**
(45) **Date of Patent:** **** Mar. 17, 2009**

(54) **CANOE PADDLE SHAPED BOTTLE OPENER**

D504,289 S 4/2005 Kelleghan
D513,575 S * 1/2006 Carson et al. D8/16
D518,343 S 4/2006 Kelleghan

(75) Inventor: **Brian James Kelleghan**, Longmont, CO
(US)

(73) Assignee: **Bison Designs, LLC**, Longmont, CO
(US)

(**) Term: **14 Years**

(21) Appl. No.: **29/323,959**

(22) Filed: **Sep. 3, 2008**

(51) **LOC (9) Cl.** **07-99**

(52) **U.S. Cl.** **D8/38; D8/18**

(58) **Field of Classification Search** D8/14,
D8/16-19, 33-43, 88, 89, 105; 7/113, 151-156;
30/400-410, 416-430, 433, 434, 443, 450;
81/3.07, 3.09, 3.2, 3.27, 3.29, 3.31, 3.35,
81/3.37, 3.4, 3.45, 3.48, 3.49, 3.55

See application file for complete search history.

(56) **References Cited**

U.S. PATENT DOCUMENTS

941,865 A *	11/1909	Forsyth et al.	81/3.55
D051,962 S	4/1918	Januchowsky	
D141,352 S *	5/1945	Block	D8/38
D196,251 S	9/1963	Piel	
D206,108 S *	10/1966	Drew	D8/14
D247,018 S *	1/1978	Kramer et al.	D8/14
4,213,215 A	7/1980	Hall	
4,290,539 A	9/1981	Lowery	
D293,199 S *	12/1987	Grenley	D8/18
D322,201 S	12/1991	Rokita	
D326,040 S	5/1992	Wysopal	
D335,431 S *	5/1993	Robinson	D8/14
D394,992 S *	6/1998	Landin	D8/21
6,220,118 B1 *	4/2001	Pacheco et al.	81/3.55
D442,838 S	5/2001	Kelleghan	
D447,675 S *	9/2001	Vaught	D8/38
D454,037 S *	3/2002	Briscoe	D8/38
D495,570 S *	9/2004	Kelleghan	D8/38
D495,937 S *	9/2004	Kelleghan	D8/38
D497,087 S	10/2004	Gallo et al.	

OTHER PUBLICATIONS

Bending Branches Performance Canoe Paddles Scan of website showing prior art paddle manufactured by Bending Branches. Paddles shown are admitted prior art to current design by Applicant.
Bending Branches Performance Bent Canoe Paddles Scan of website showing prior art paddles manufactured by Bending Branches. Paddles shown are admitted prior art to current design by Applicant.
Bending Branches Premium Touring Paddles Scan of website showing prior art paddles manufactured by Bending Branches. Paddles shown are admitted prior art to current design by Applicant.
Bending Branches Recreational Canoe Paddles Scan of website showing prior art paddles manufactured by Bending Branches. Paddles shown are admitted prior art to current design by Applicant.
Bending Branches Wave Hound Scan of website showing prior art paddle manufactured by Bending Branches. Paddle shown is admitted prior art to current design by Applicant.

(Continued)

Primary Examiner—Caron Veynar

Assistant Examiner—Garth Rademaker

(74) *Attorney, Agent, or Firm*—Margaret Polson; Polson & Associates, P.C.

(57) **CLAIM**

The ornamental design for a canoe paddle shaped bottle opener, as shown and described.

DESCRIPTION

FIG. 1 is a top plan view of a canoe paddle shaped bottle opener, showing my new design;

FIG. 2 is a bottom plan view thereof;

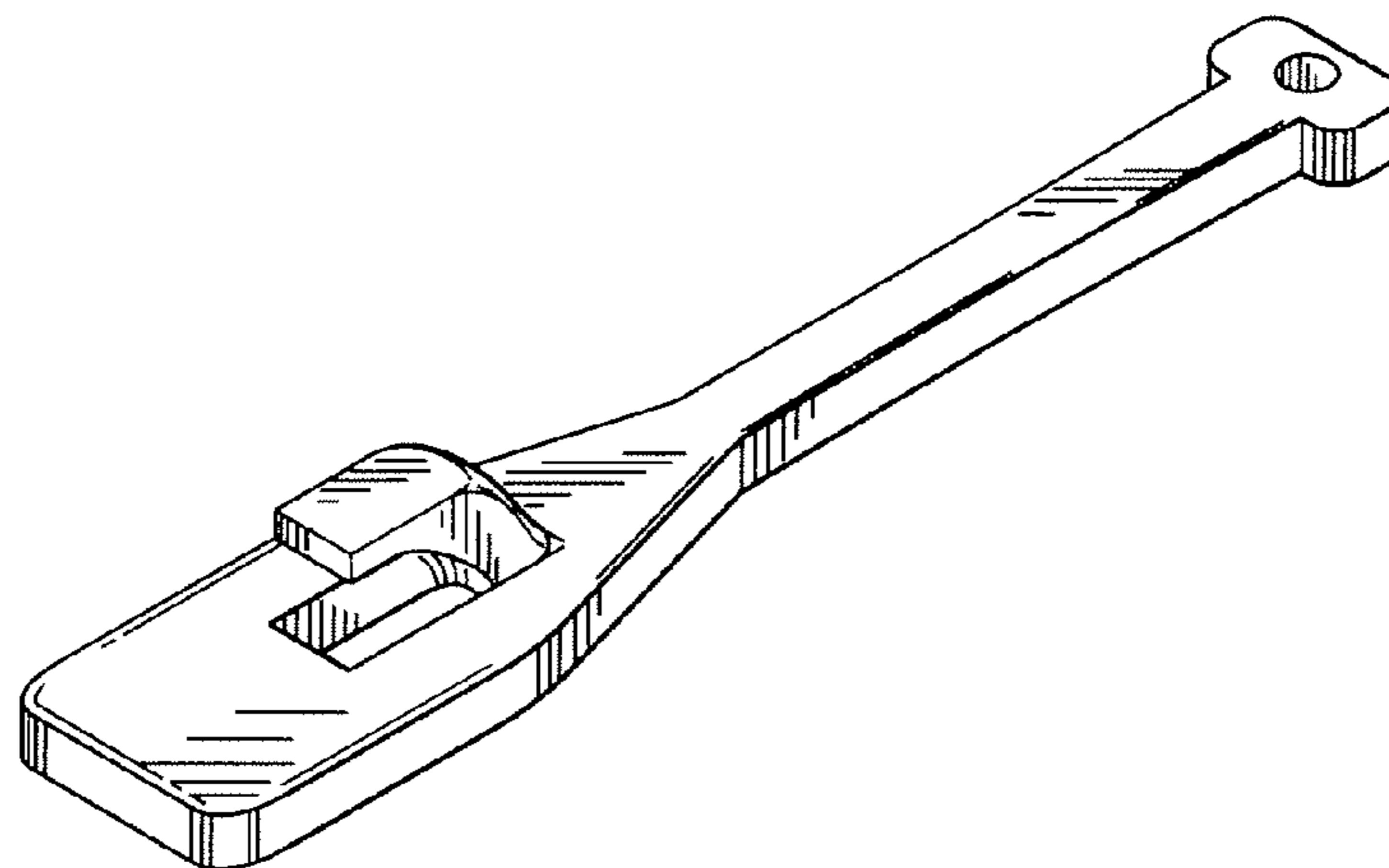
FIG. 3 is a right side elevation view thereof, the left side elevation view being a mirror image thereof;

FIG. 4 is a front elevation view thereof;

FIG. 5 is a back elevation view thereof; and,

FIG. 6 is a top, back, right side perspective view thereof.

1 Claim, 1 Drawing Sheet



OTHER PUBLICATIONS

FoxWorx Bentshaft Canoe Paddles Scan of website showing prior art paddles manufactured by FoxWorx. Paddles shown are admitted prior art to current design by Applicant.

FoxWorx Outrigger Paddles Scan of website showing prior art paddles manufactured by FoxWorx. Paddles shown are admitted prior art to current design by Applicant.

FoxWorx Straight Shaft Canoe Paddles Scan of website showing prior art paddles manufactured by FoxWorx. Paddles shown are admitted prior art to current design by Applicant.

FoxWorx Whitewater Canoe Paddles Scan of website showing prior art paddles manufactured by FoxWorx. Paddles shown are admitted prior art to current design by Applicant.

Gillespie Lightweight Paddles Scan of website showing prior art paddles manufactured by Gillespie. Paddles shown are admitted prior art to current design by Applicant.

Gillespie Medium Weight Paddles Scan of website showing prior art paddles manufactured by Gillespie. Paddles shown are admitted prior art to current design by Applicant.

Gillespie Steering Paddles Scan of website showing prior art paddles manufactured by Gillespie. Paddles shown are admitted prior art to current design by Applicant.

Mitchell Open Boat Scan of website showing prior art paddle manufactured by Mitchell. Paddle shown is admitted prior art to current design by Applicant.

Mitchell Premier Scan of website showing prior art paddle manufactured by Mitchell. Paddle shown is admitted prior art to current design by Applicant.

Mitchell Seneca Scan of website showing prior art paddle manufactured by Mitchell. Paddle shown is admitted prior art to current design by Applicant.

Mitchell Surreal Scan of website showing prior art paddle manufactured by Mitchell. Paddle shown is admitted prior art to current design by Applicant.

Mitchell Touring Special Scan of website showing prior art paddle manufactured by Mitchell. Paddle shown is admitted prior art to current design by Applicant.

NRS Scan of website showing various prior art paddles for sale. Paddles shown are admitted prior art to current design by Applicant.

REI Scan of website showing various prior art paddles for sale. Paddles shown are admitted prior art to current design by Applicant.

Sawyer Brochure Brochure of prior art canoe and kayak paddles manufactured by Sawyer. Paddles shown are admitted prior art to current design by Applicant.

Wenonah Canoe Scan of website showing prior art paddles manufactured by Wenonah. Paddles shown are admitted prior art to current design by Applicant.

Whiskey Jill Scan of website showing prior art paddle manufactured by Whiskeyjack Paddles. Paddle shown is admitted prior art to current design by Applicant.

Kayak Paddle Scan of website showing Kayak Paddle bottle opener manufactured by Bison Designs. Bottle opener shown was developed and offered for sale concurrently with the Canoe Paddle Shaped Opener of the present application.

* cited by examiner

FIG.4

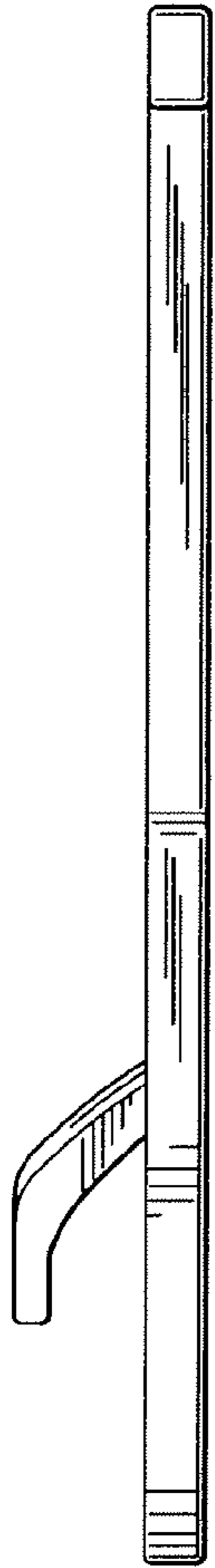
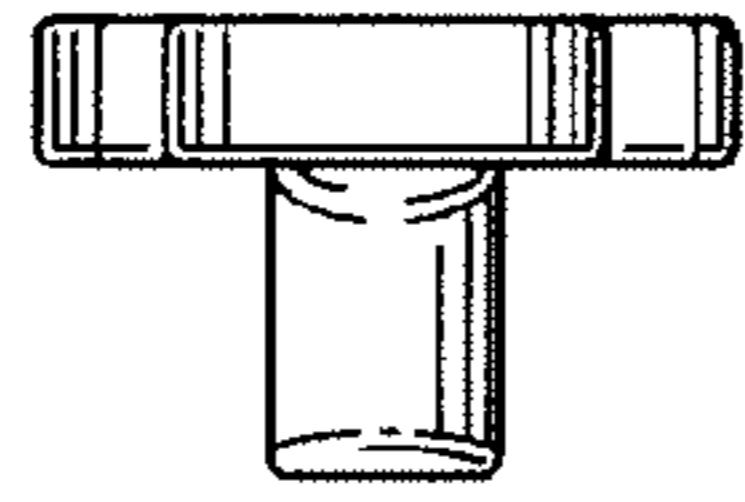


FIG.3

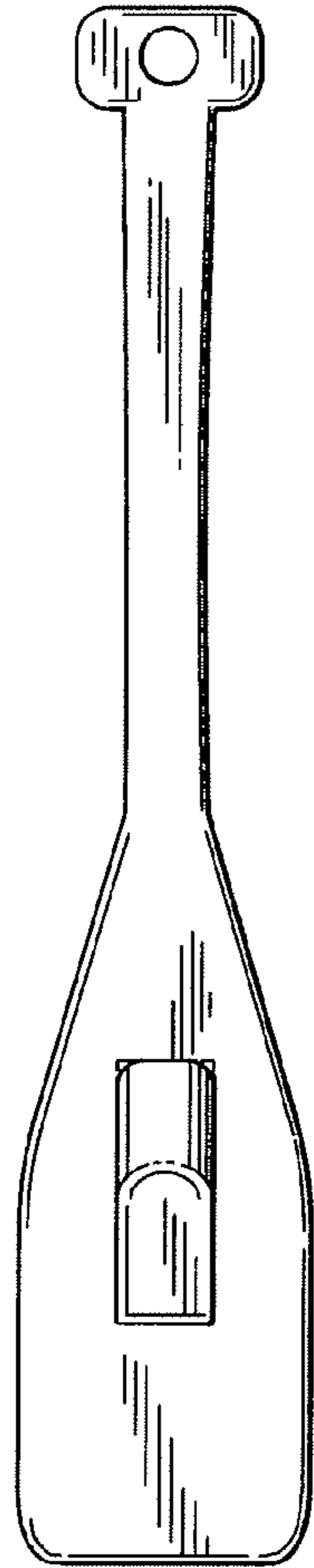


FIG.1

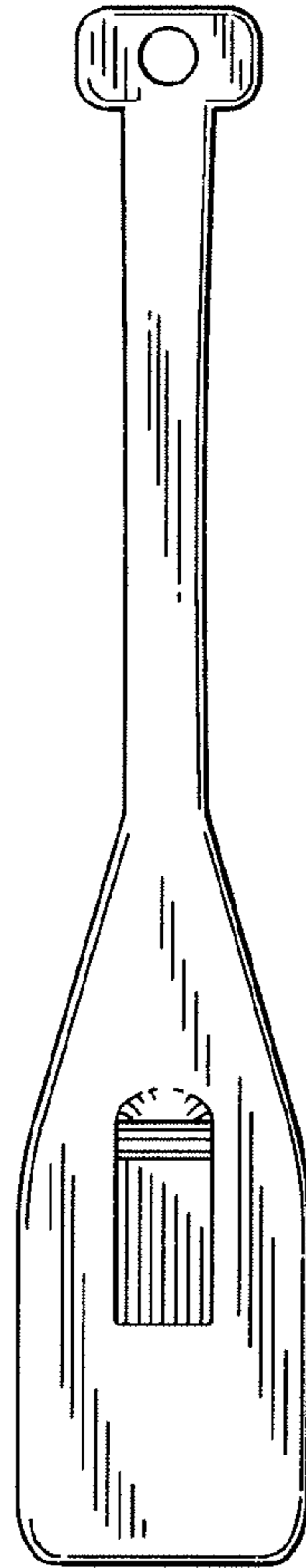


FIG.2

FIG.5

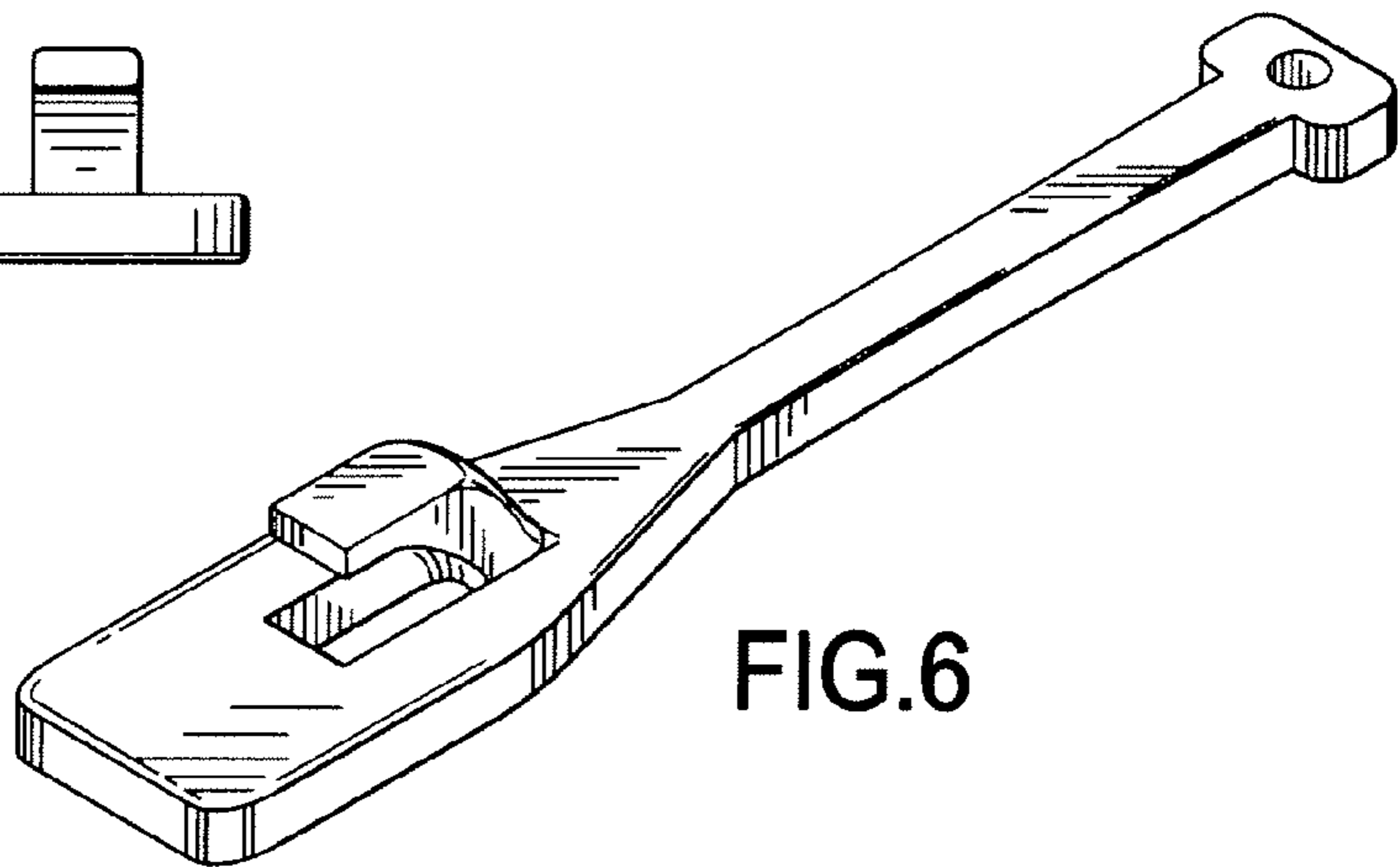
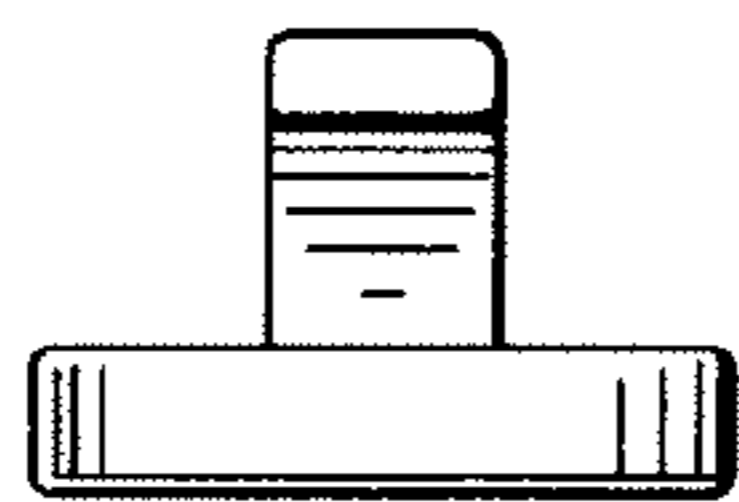


FIG.6