



US00D588423S

(12) **United States Design Patent**  
**Tinius**

(10) **Patent No.:** **US D588,423 S**

(45) **Date of Patent:** **\*\* Mar. 17, 2009**

(54) **OLIVE SHAKER**

(75) Inventor: **Michael Tinius**, Ulm (DE)

(73) Assignee: **Andreas Stihl AG & Co. KG**,  
Waiblingen (DE)

(\*\*) Term: **14 Years**

(21) Appl. No.: **29/305,781**

(22) Filed: **Mar. 27, 2008**

(30) **Foreign Application Priority Data**

Oct. 16, 2007 (EM) ..... 000818604-0002

(51) **LOC (9) Cl.** ..... **08-01**

(52) **U.S. Cl.** ..... **D8/1**

(58) **Field of Classification Search** ..... D8/1,  
D8/13; 294/49; 56/400.11, 400.16, 400.21,  
56/328.1, 330, 332, 333, 340.1

See application file for complete search history.

(56) **References Cited**

**U.S. PATENT DOCUMENTS**

- 774,142 A \* 11/1904 Brick ..... 294/50.8
- 2,542,665 A \* 2/1951 Gustafson ..... 56/340.1
- 3,137,116 A \* 6/1964 Besser et al. .... 56/340.1
- 3,174,269 A \* 3/1965 Londo ..... 56/340.1
- 3,650,099 A \* 3/1972 Sitter ..... 56/340.1
- 3,696,597 A \* 10/1972 Sitter ..... 56/340.1

5,800,571 A \* 9/1998 Carlson et al. .... 623/57

\* cited by examiner

*Primary Examiner*—Holly H Baynham

*Assistant Examiner*—Sheryl Lane

(74) *Attorney, Agent, or Firm*—McGuireWoods LLP

(57) **CLAIM**

I claim the ornamental design for an olive shaker, as shown and described.

**DESCRIPTION**

FIG. 1 is a right side partial view of the ornamental appearance of the olive shaker;

FIG. 2 is a right side perspective partial view of the olive shaker shown in FIG. 1;

FIG. 3 is a top partial view of the olive shaker shown in FIG. 1;

FIG. 4 is a bottom partial view of the olive shaker shown in FIG. 1;

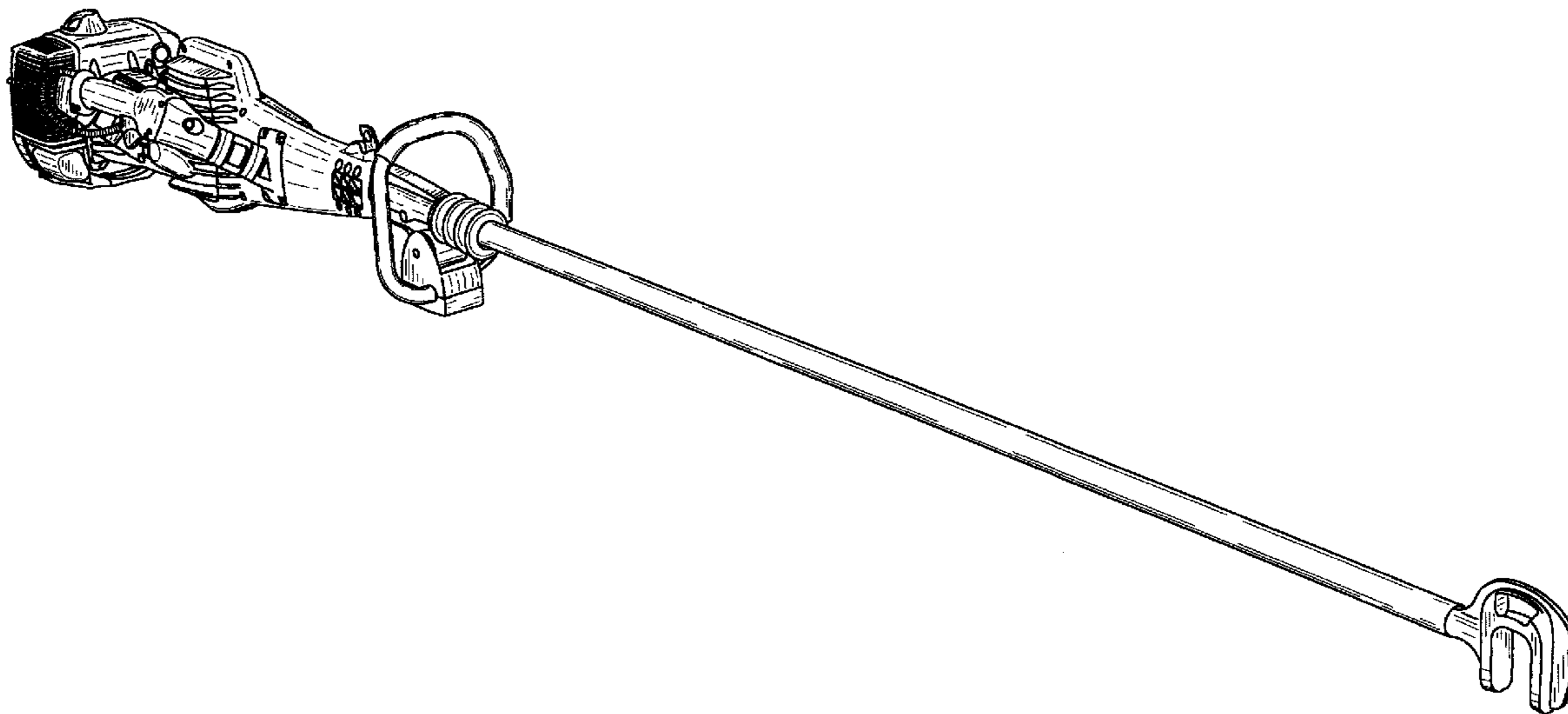
FIG. 5 is a left side partial view of the olive shaker shown in FIG. 1;

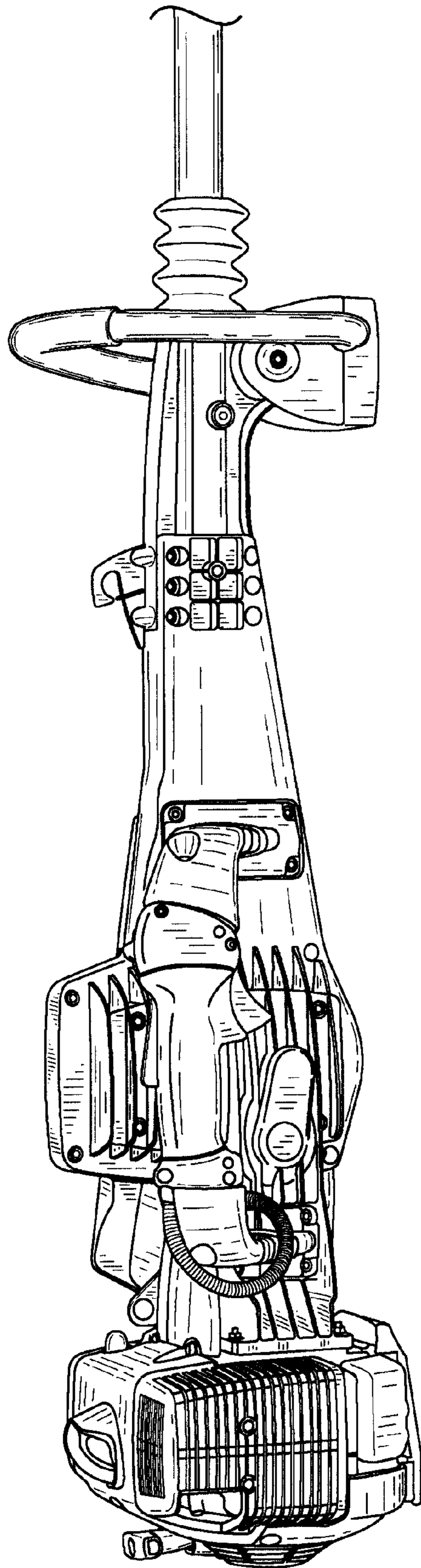
FIG. 6 is a top rear partial perspective view of the olive shaker shown in FIG. 1; and,

FIG. 7 is a right front perspective view of the olive shaker shown in FIG. 1.

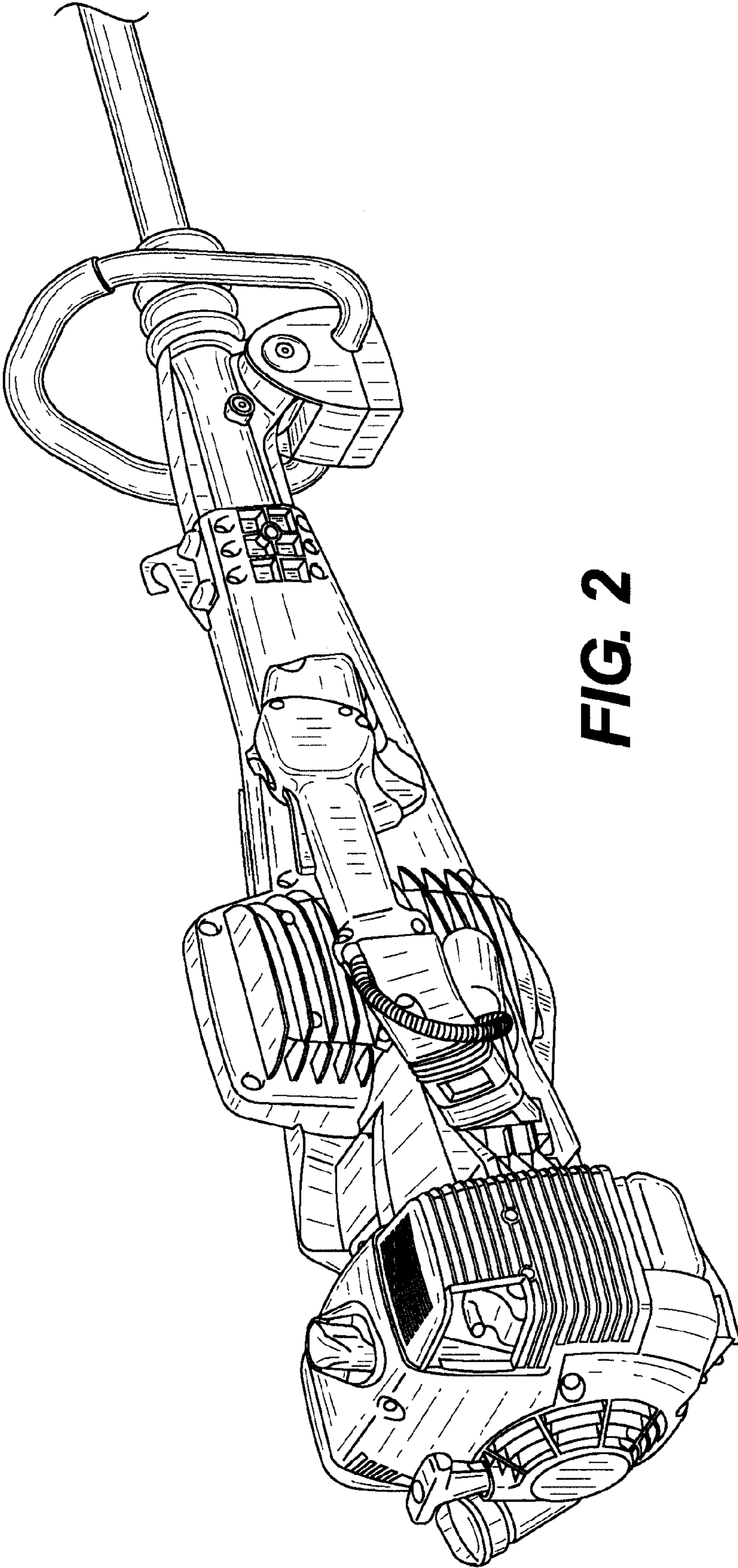
Any surfaces of the design not shown, including interior surfaces, form no part of the claimed invention.

**1 Claim, 7 Drawing Sheets**

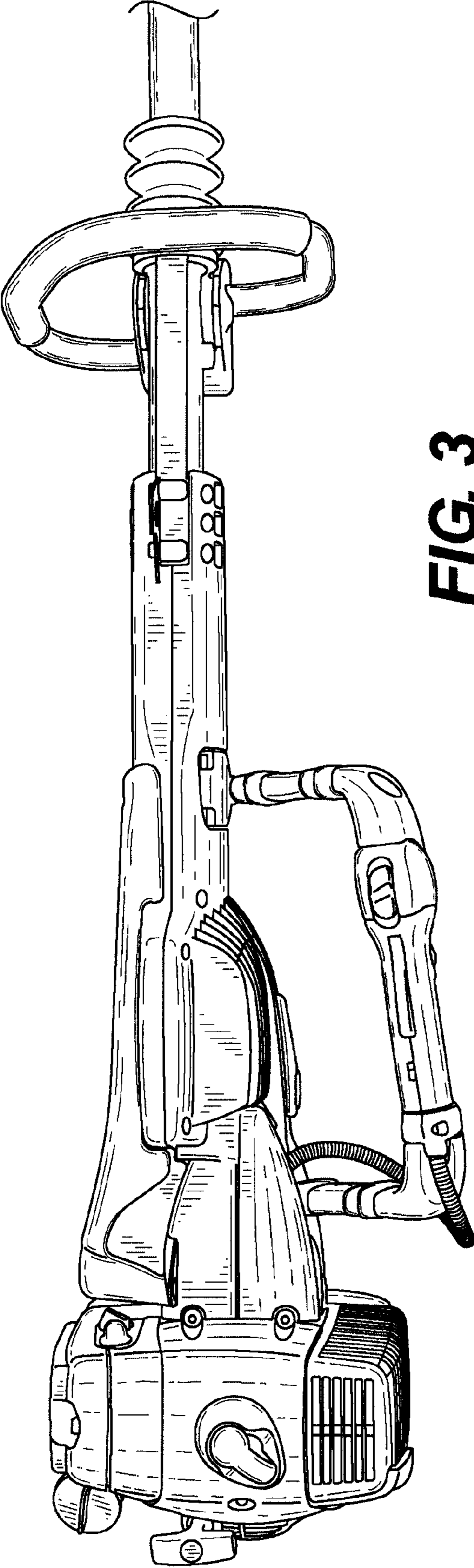




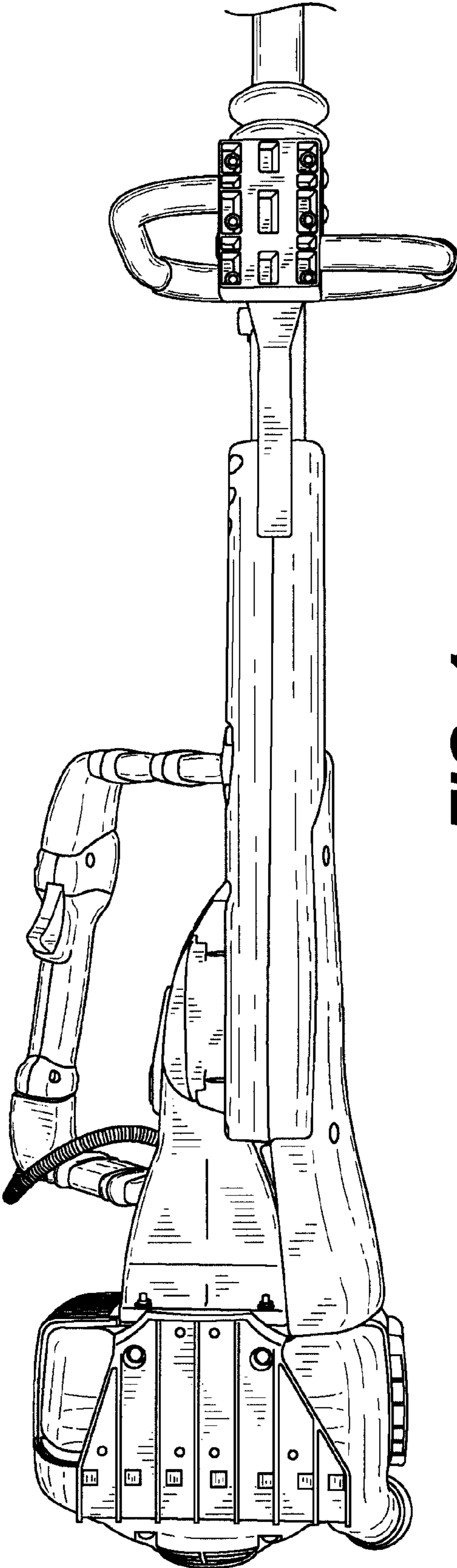
**FIG. 1**



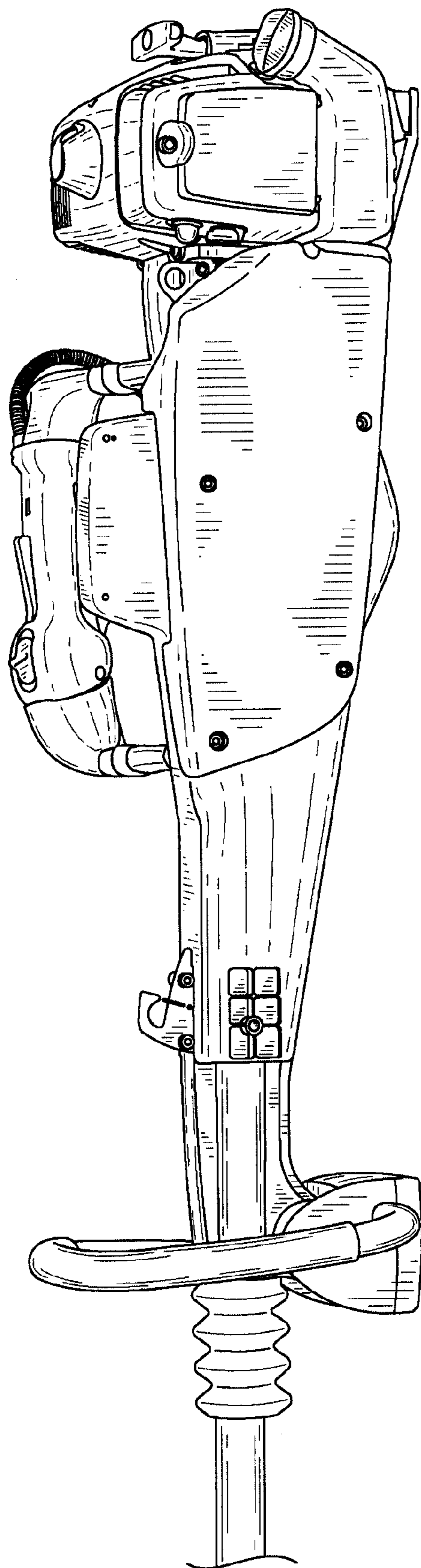
**FIG. 2**



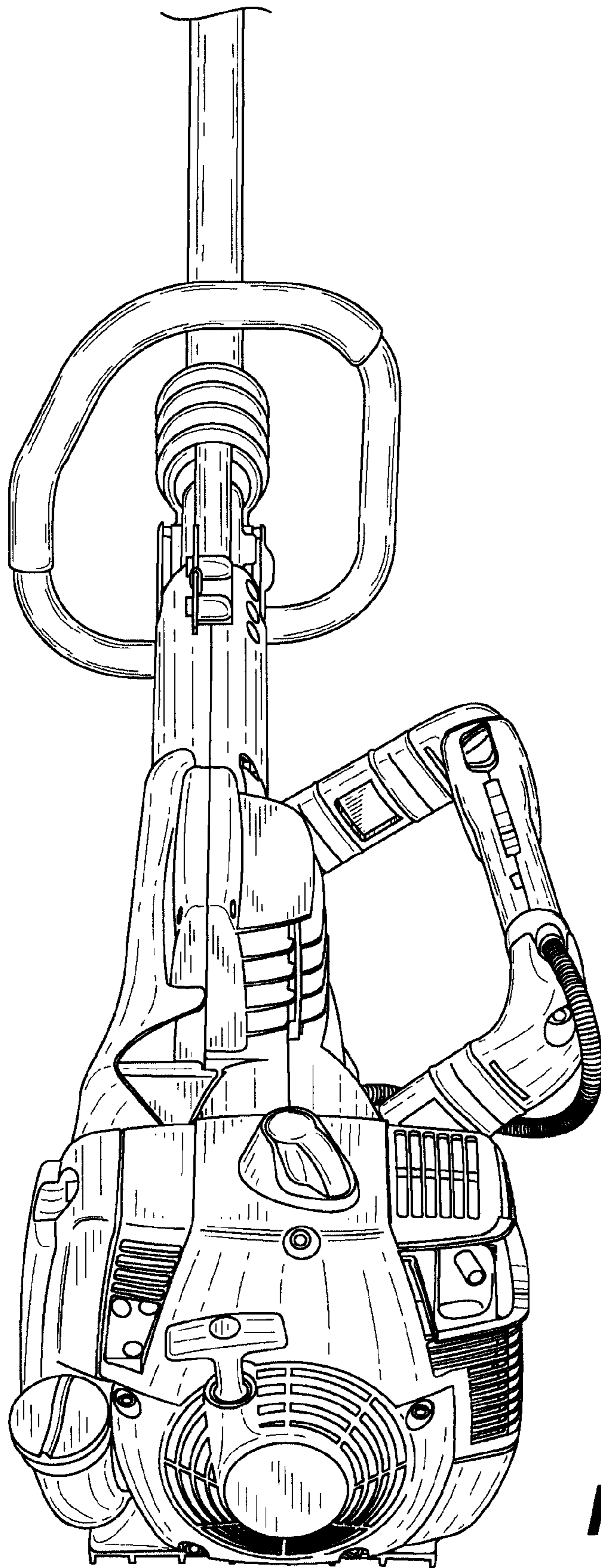
**FIG. 3**



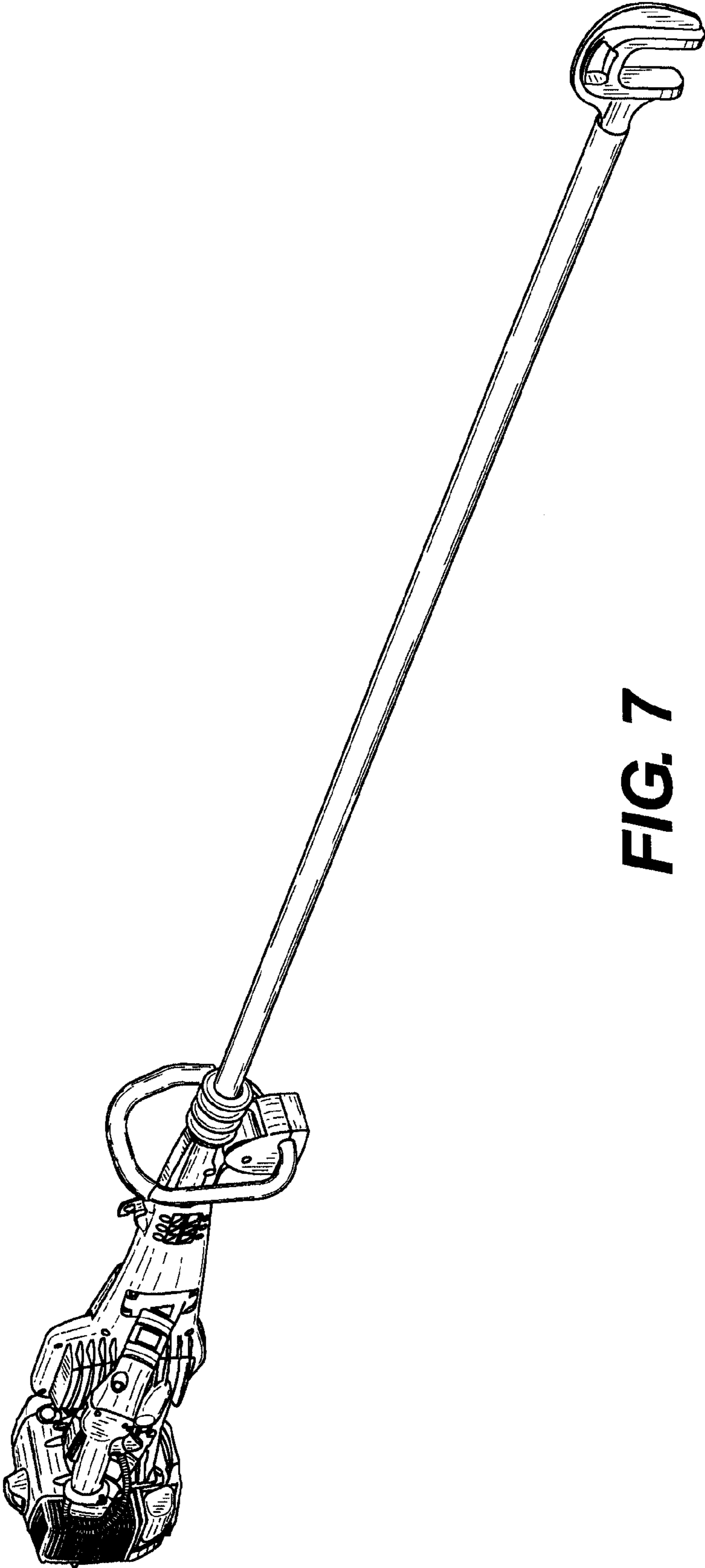
**FIG. 4**



**FIG. 5**



**FIG. 6**



**FIG. 7**