



US00D588418S

(12) **United States Design Patent**
Seehoff et al.

(10) **Patent No.:** **US D588,418 S**

(45) **Date of Patent:** **** Mar. 17, 2009**

(54) **ONION SAVER**

(75) Inventors: **Gary Seehoff**, Encino, CA (US); **Bryan Golden**, Ventura, CA (US)

(73) Assignee: **EV RI Holder Products, LLC**, Anaheim, CA (US)

(**) Term: **14 Years**

(21) Appl. No.: **29/319,720**

(22) Filed: **Jun. 13, 2008**

(51) **LOC (9) Cl.** **07-07**

(52) **U.S. Cl.** **D7/629**

(58) **Field of Classification Search** D7/601,
D7/602, 628, 629; D9/643-645; 220/4.21-4.23,
220/810, 811, 847, 845, 754, 521; 426/665;
206/524.1, 525, 457, 499, 493, 4.23, 521.1,
206/560-565; 99/426

See application file for complete search history.

(56) **References Cited**

U.S. PATENT DOCUMENTS

4,795,033 A * 1/1989 Duffy 206/457
5,988,045 A * 11/1999 Housley 99/339
D420,915 S * 2/2000 Reidenbach D9/451

D442,834 S * 5/2001 Perez D7/628
D449,494 S * 10/2001 Cousins D7/629
D483,232 S * 12/2003 Liu D7/629
D489,971 S * 5/2004 Tamez D9/645
D550,516 S * 9/2007 Tsai D7/629

* cited by examiner

Primary Examiner—Terry A Wallace

(57) **CLAIM**

The ornamental design for an onion saver, as shown and described.

DESCRIPTION

FIG. 1 illustrates a top view of the claimed design for an onion saver;

FIG. 2 illustrates a front view thereof;

FIG. 3 illustrates a left-side view thereof;

FIG. 4 illustrates a right-side view thereof;

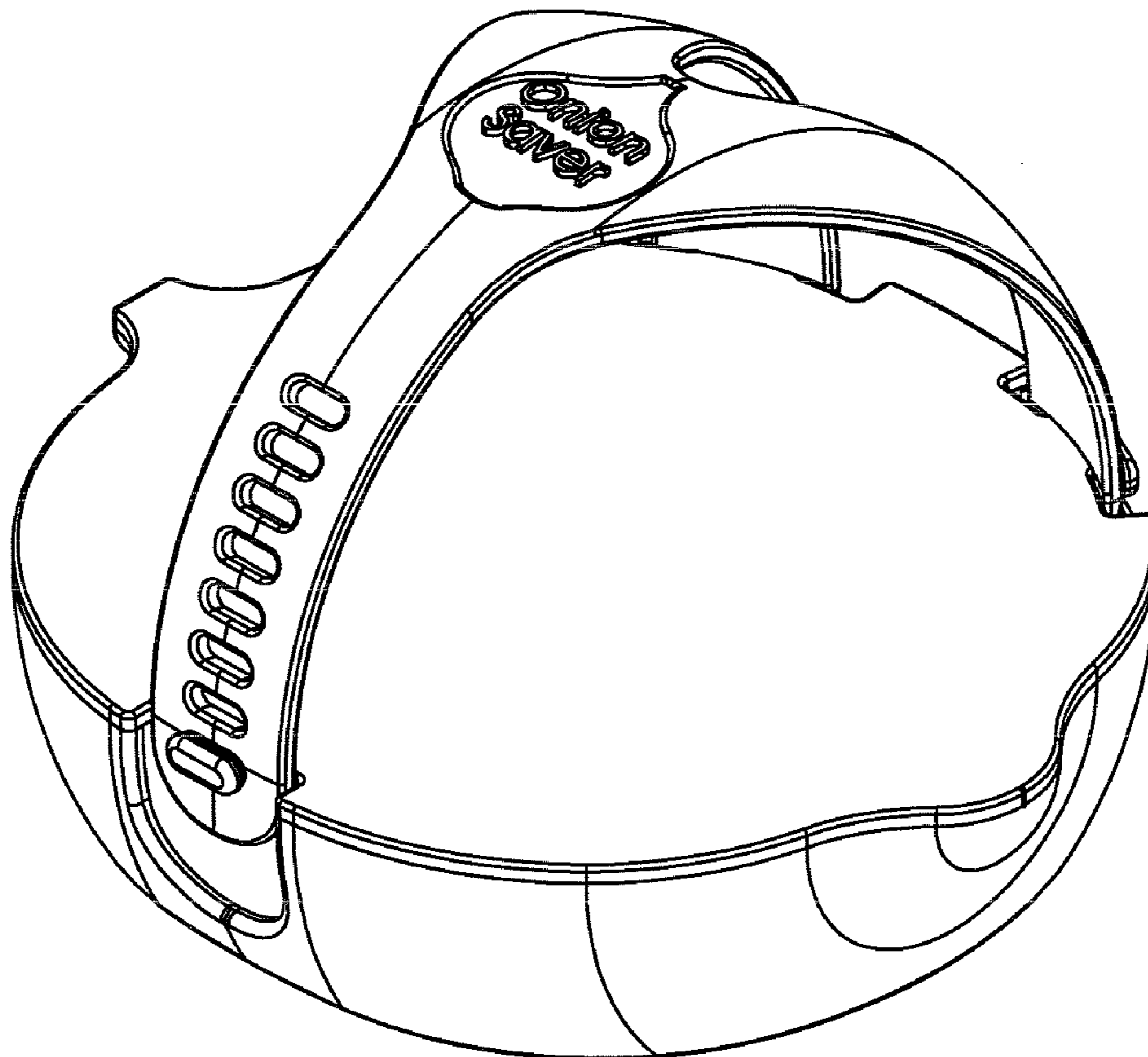
FIG. 5 illustrates a rear view thereof;

FIG. 6 illustrates a bottom view thereof;

FIG. 7 illustrates an internal sectional view thereof; and,

FIG. 8 illustrates a perspective view thereof.

1 Claim, 8 Drawing Sheets



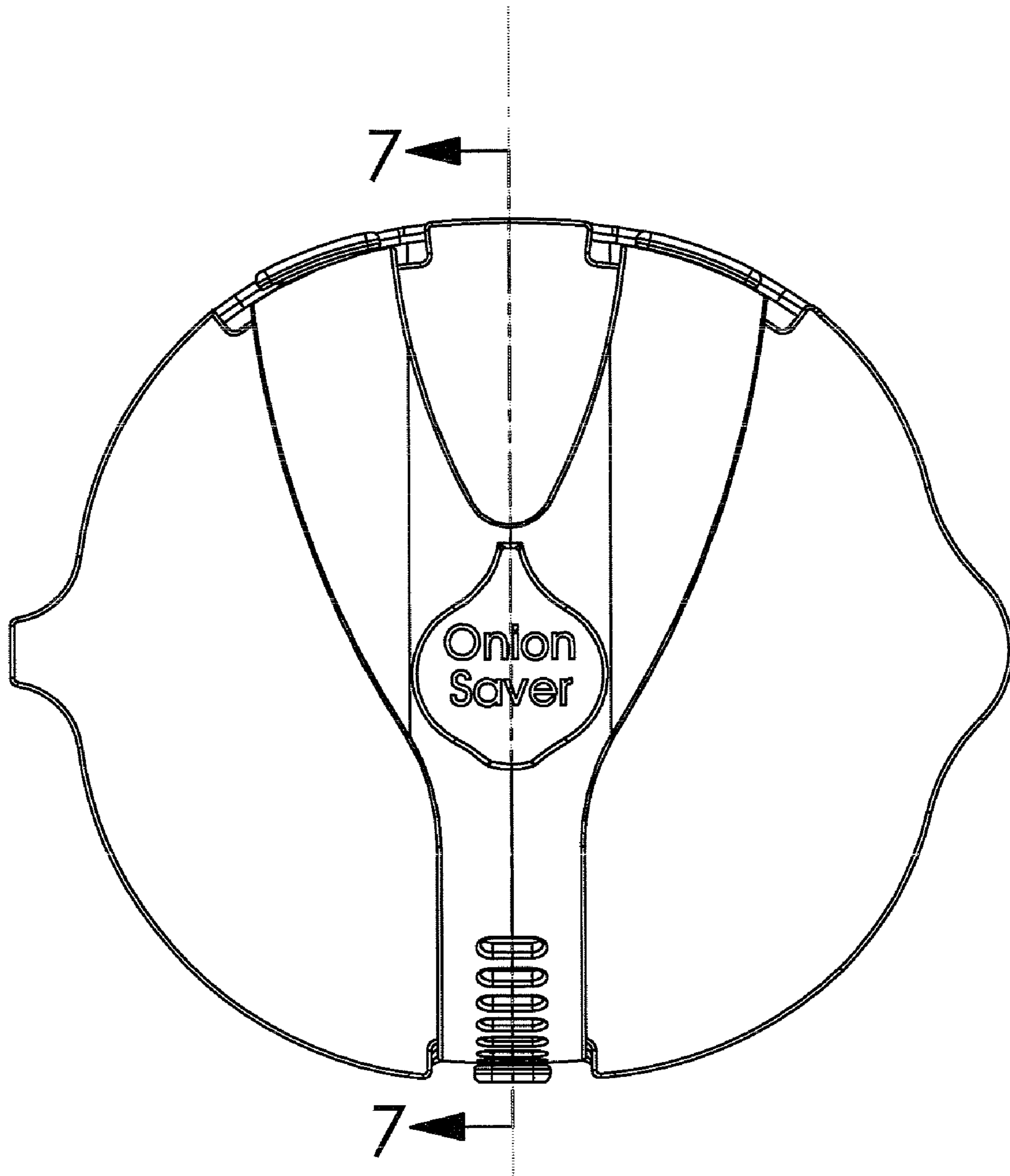


FIG. 1

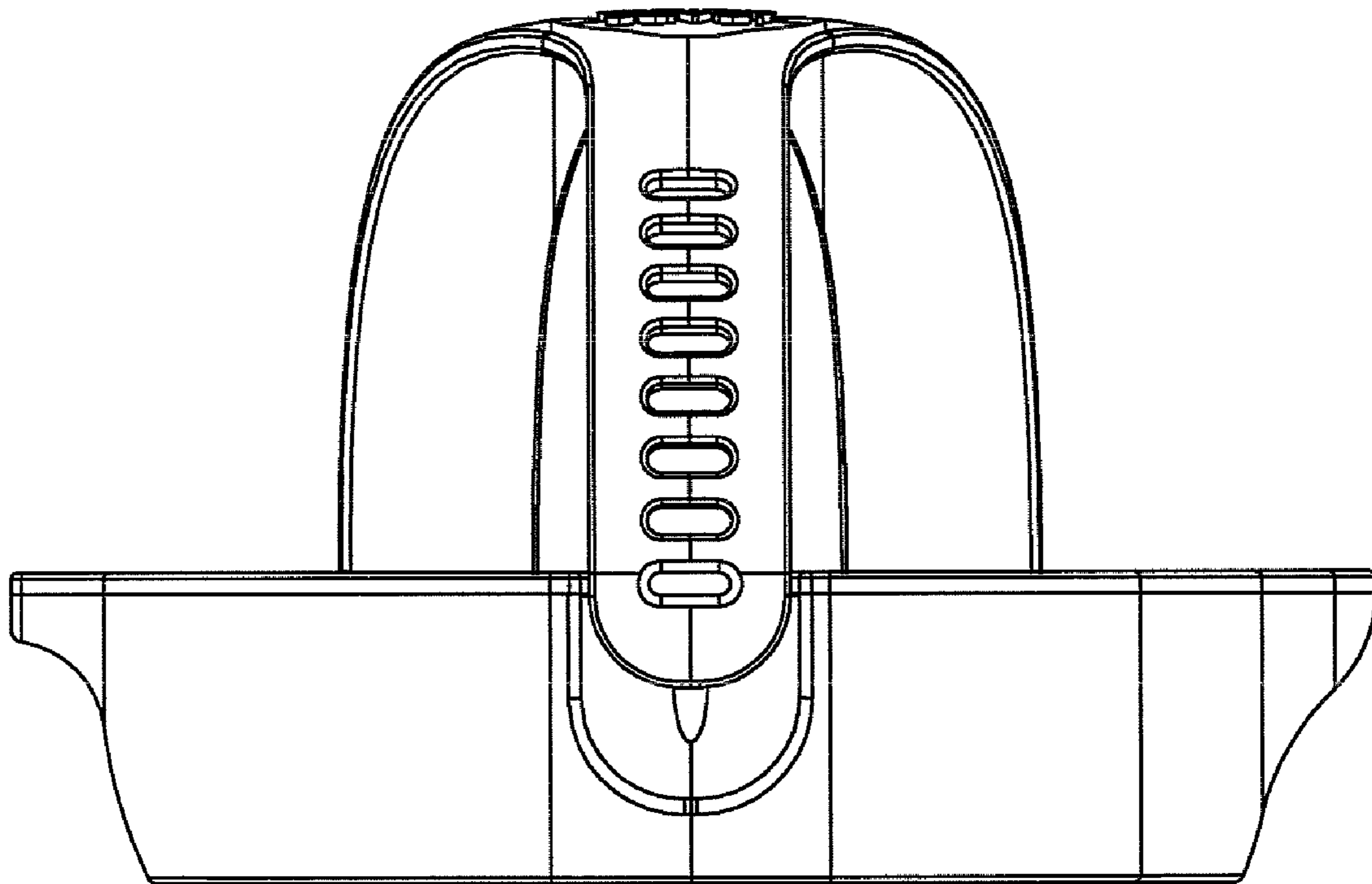


Fig. 2

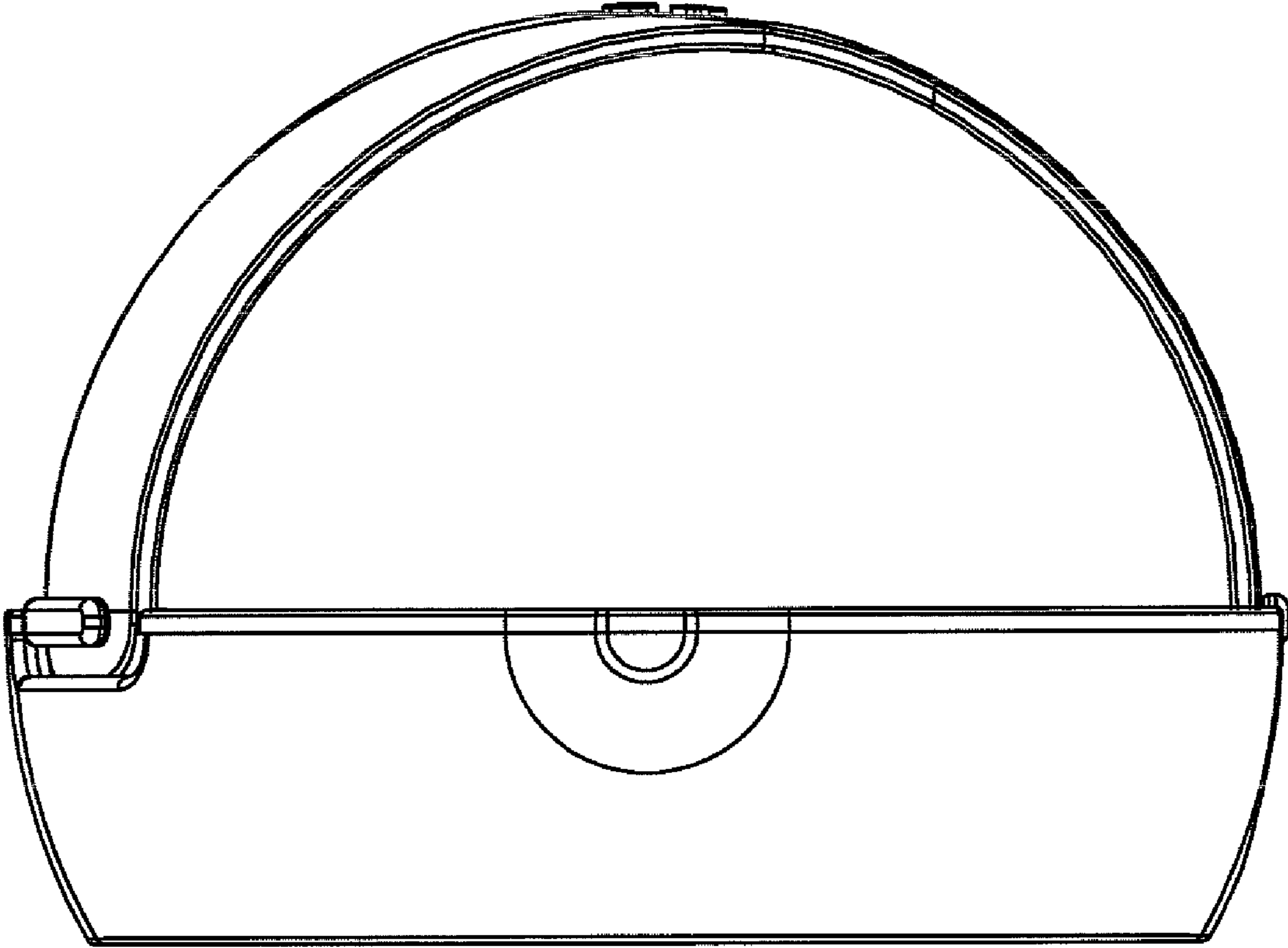


Fig. 3

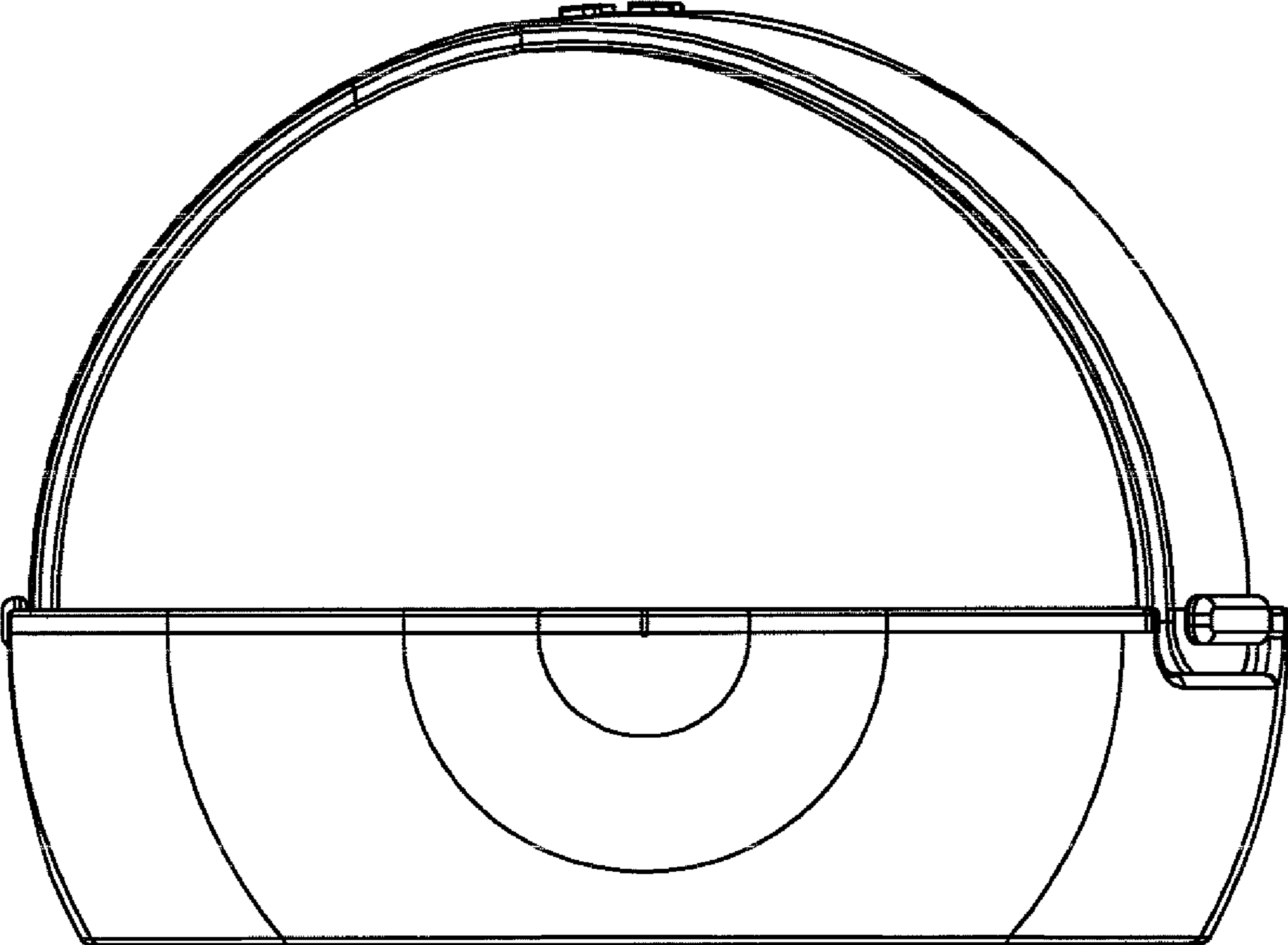


Fig. 4

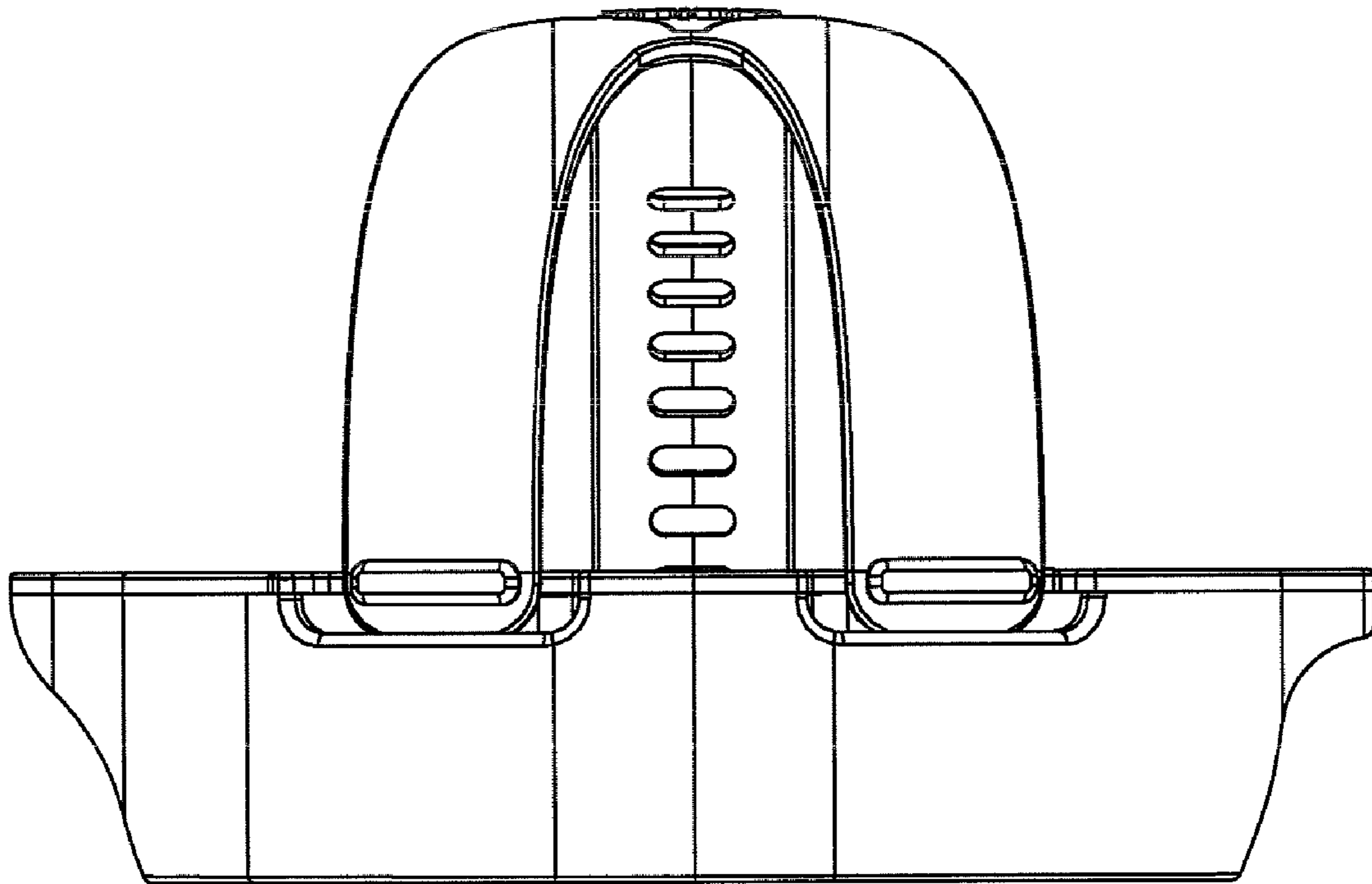


Fig. 5

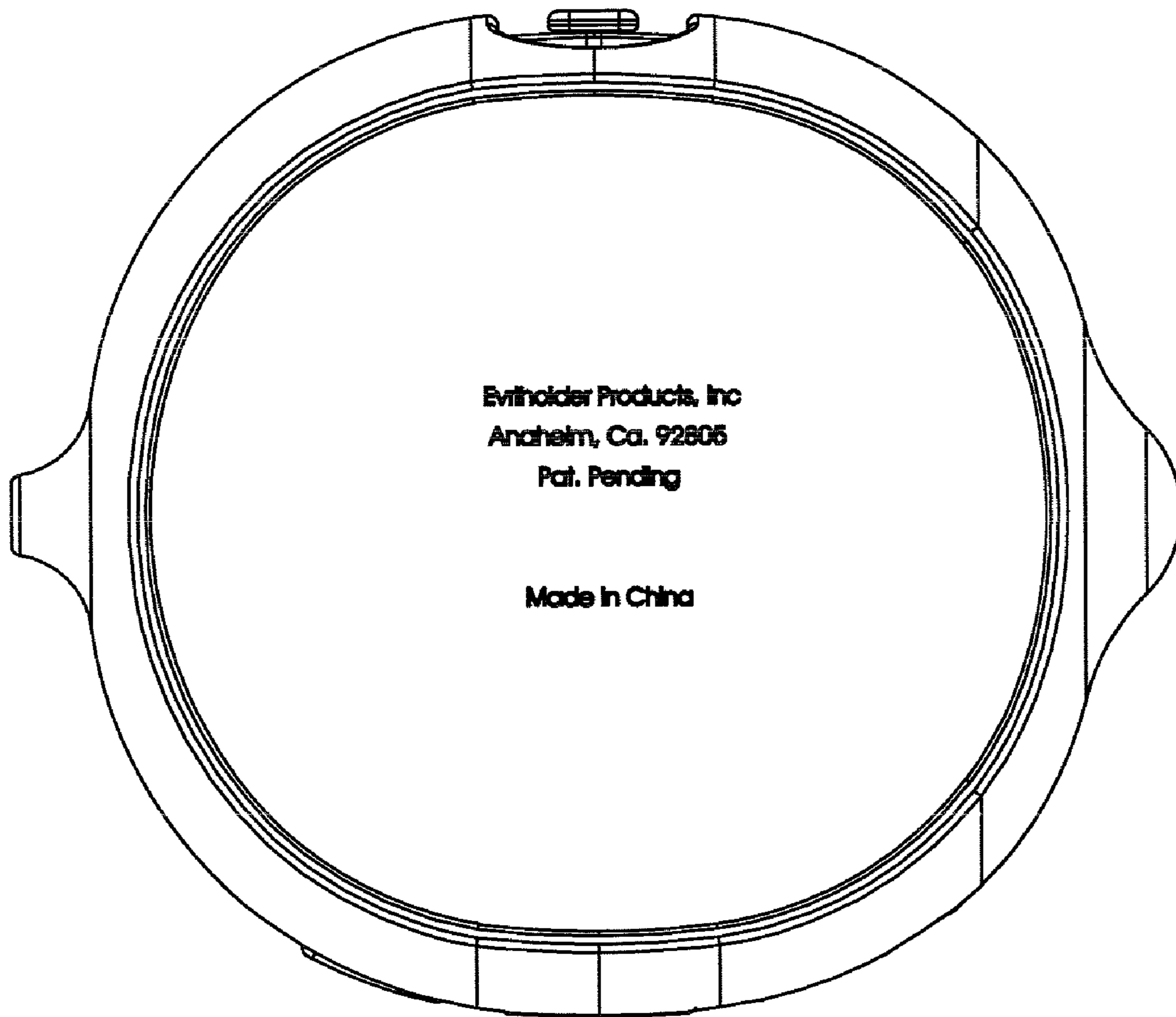


Fig. 6

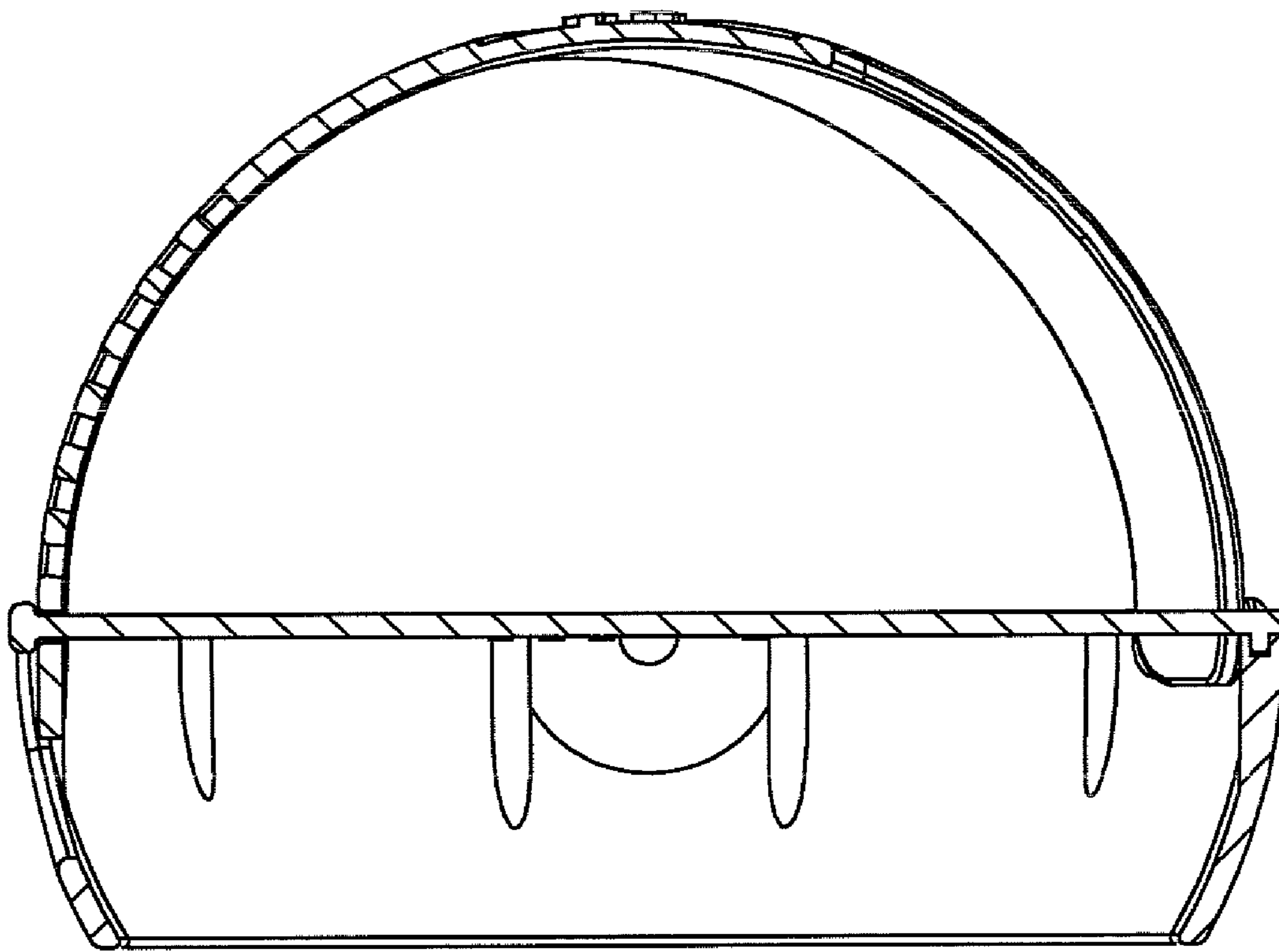


Fig .7

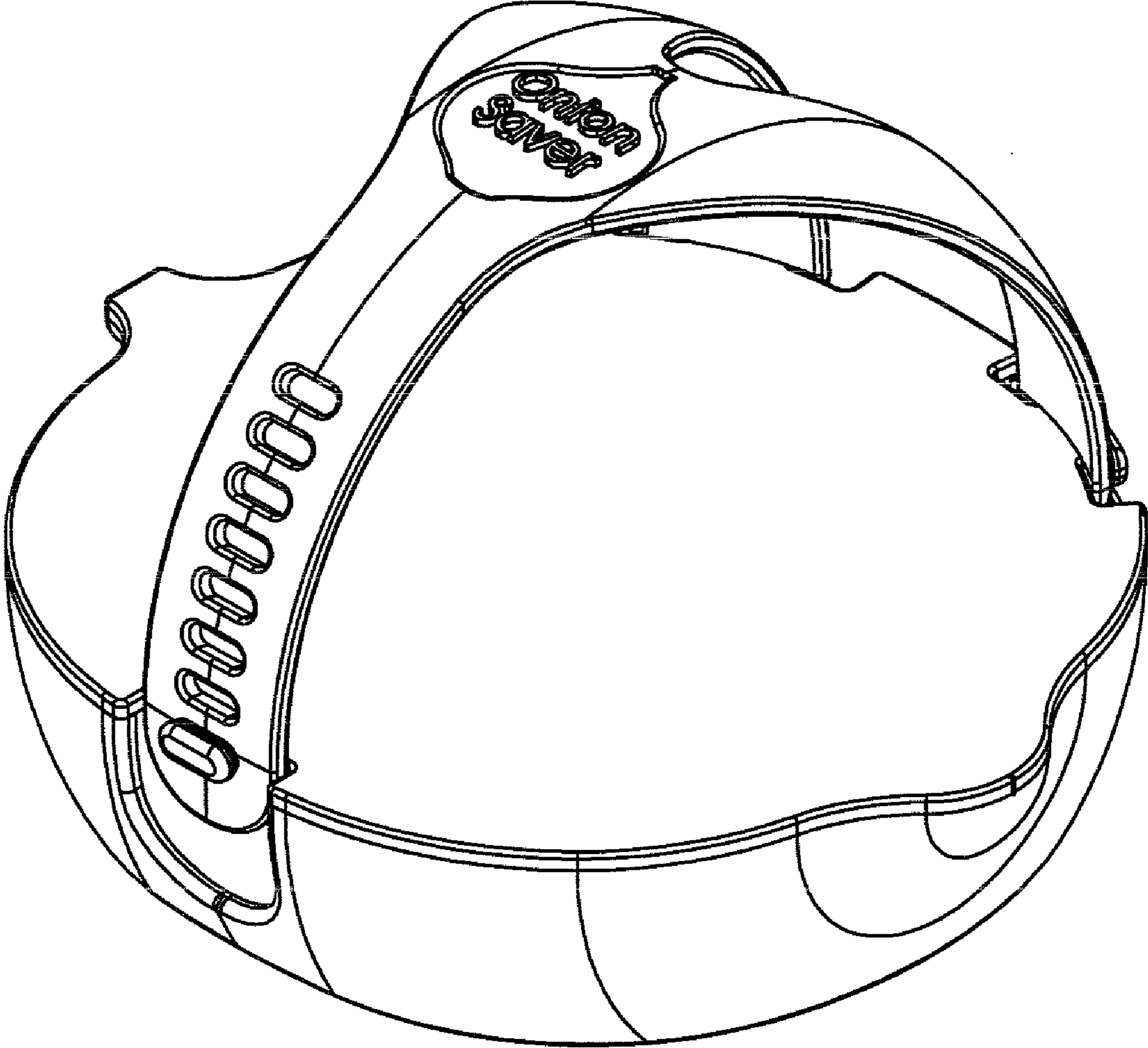


Fig. 8