



US00D588416S

(12) **United States Design Patent**
Franczyk et al.

(10) **Patent No.:** **US D588,416 S**
(45) **Date of Patent:** **** Mar. 17, 2009**

(54) **CAKE DECORATING ORGANIZER**

(75) Inventors: **Cathy Franczyk**, Naperville, IL (US);
Louis Henry, Scarsdale, NY (US);
Charles Paradise, New York, NY (US);
Yohanan Siskindovich, Clifton, NJ (US)

(73) Assignee: **Wilton Industries, Inc.**, Woodridge, IL (US)

(**) Term: **14 Years**

(21) Appl. No.: **29/319,057**

(22) Filed: **Jun. 3, 2008**

(51) **LOC (9) Cl.** **07-99**

(52) **U.S. Cl.** **D7/601; D3/273**

(58) **Field of Classification Search** D7/601;
D3/273, 274, 276, 282, 279, 291; 206/344,
206/372-373, 378; 312/902

See application file for complete search history.

(56) **References Cited**

U.S. PATENT DOCUMENTS

D319,016 S *	8/1991	Kahl	D9/424
5,988,658 A *	11/1999	Ritchie et al.	280/47.17
D434,609 S *	12/2000	Yu	D7/607
D462,168 S *	9/2002	Klemmensen et al.	D3/279
7,017,740 B2 *	3/2006	Itzkovitch	206/372
D527,522 S *	9/2006	Kammerer	D3/291

* cited by examiner

Primary Examiner—Terry A Wallace

(74) *Attorney, Agent, or Firm*—DLA Piper LLP (US);
Jennifer E. Lacroix

(57) **CLAIM**

The ornamental design for a cake decorating organizer, as shown and described.

DESCRIPTION

FIG. 1 is a front perspective view of a first embodiment of the cake decorating organizer;

FIG. 2 is a front elevational view of the first embodiment of the cake decorating organizer;

FIG. 3 is a rear perspective view of the first embodiment of the cake decorating organizer;

FIG. 4 left side elevational view of the first embodiment of the cake decorating organizer, the right side elevational view being a mirror image of the left side elevational view shown;

FIG. 5 is a rear elevational view of the first embodiment of the cake decorating organizer;

FIG. 6 is an exploded front perspective view of the first embodiment of the cake decorating organizer;

FIG. 7 is a rear perspective view of a second embodiment of the cake decorating organizer of FIGS. 1 through 7, the only difference being the clip attached to the rear of the organizer in the embodiment of FIGS. 1 through 7 is not present, it being understood that other surfaces are the same as those of the first embodiment;

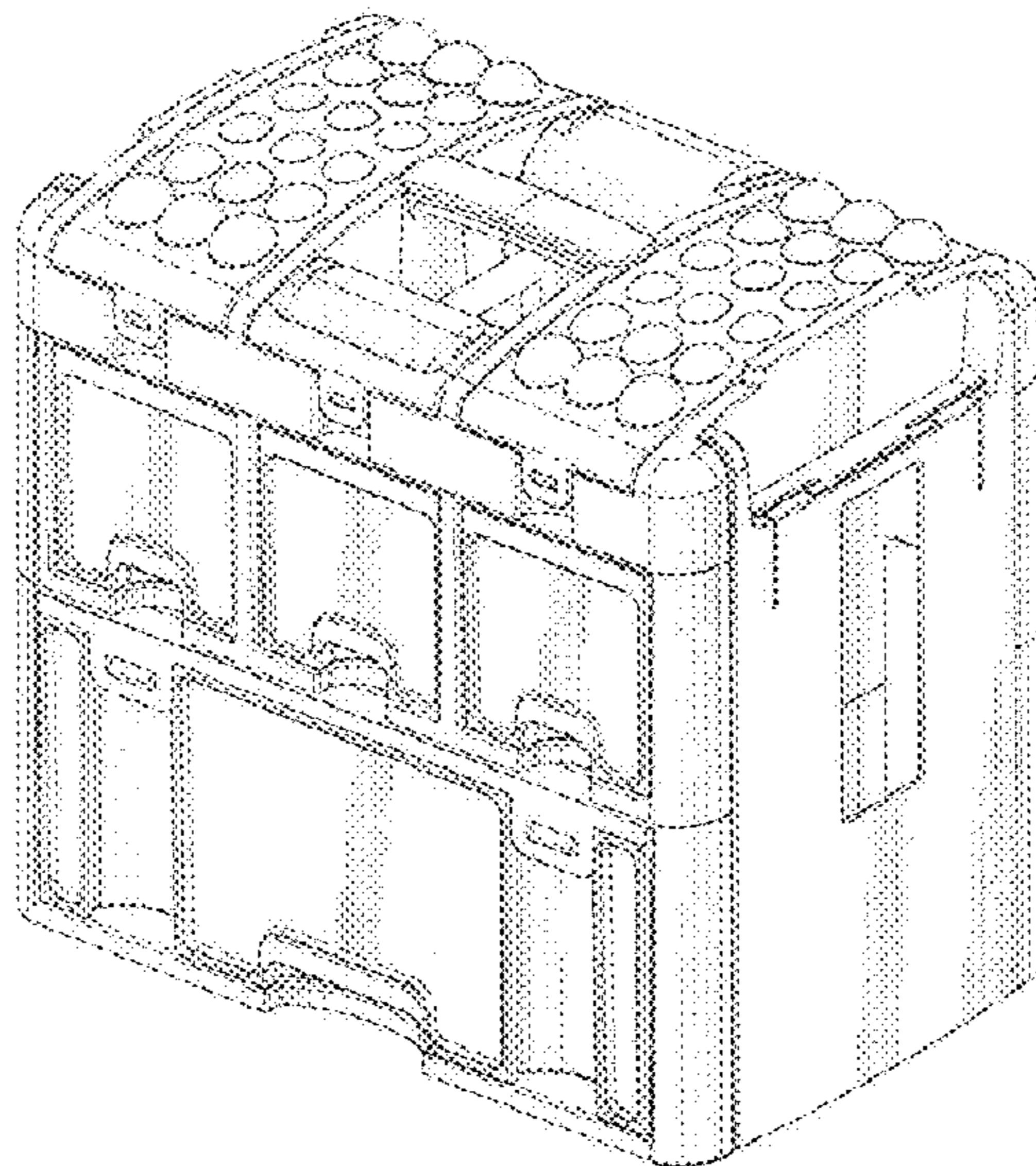
FIG. 8 is a top plan view of the second embodiment of the cake decorating organizer;

FIG. 9 is a bottom plan view of the second embodiment of the cake decorating organizer;

FIG. 10 is a left side elevational view of the second embodiment of the cake decorating organizer, the right side elevational view being a mirror image of the left side elevational view shown; and,

FIG. 11 is a rear elevational view of the second embodiment of the cake decorating organizer.

1 Claim, 10 Drawing Sheets



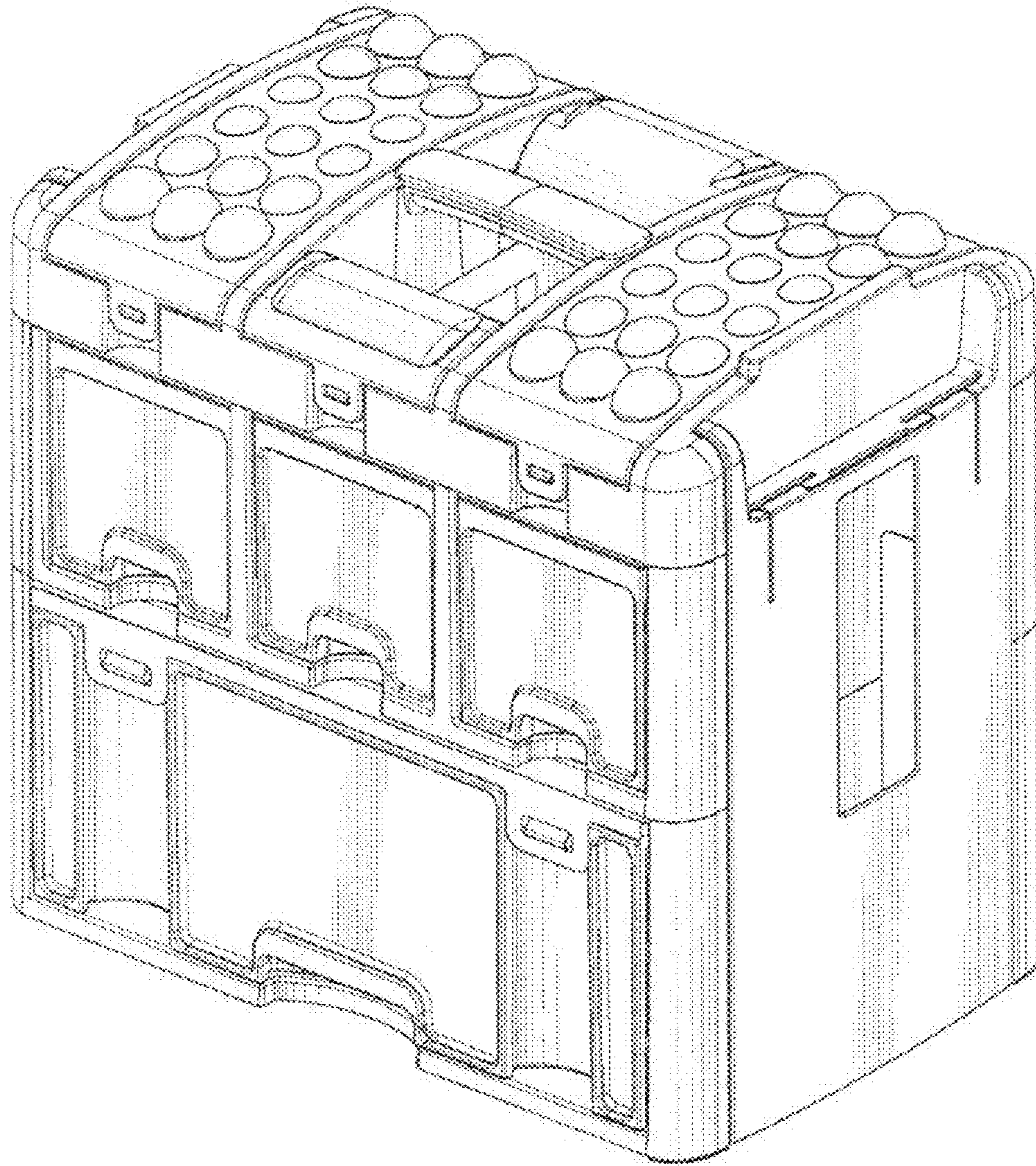


FIG. 1

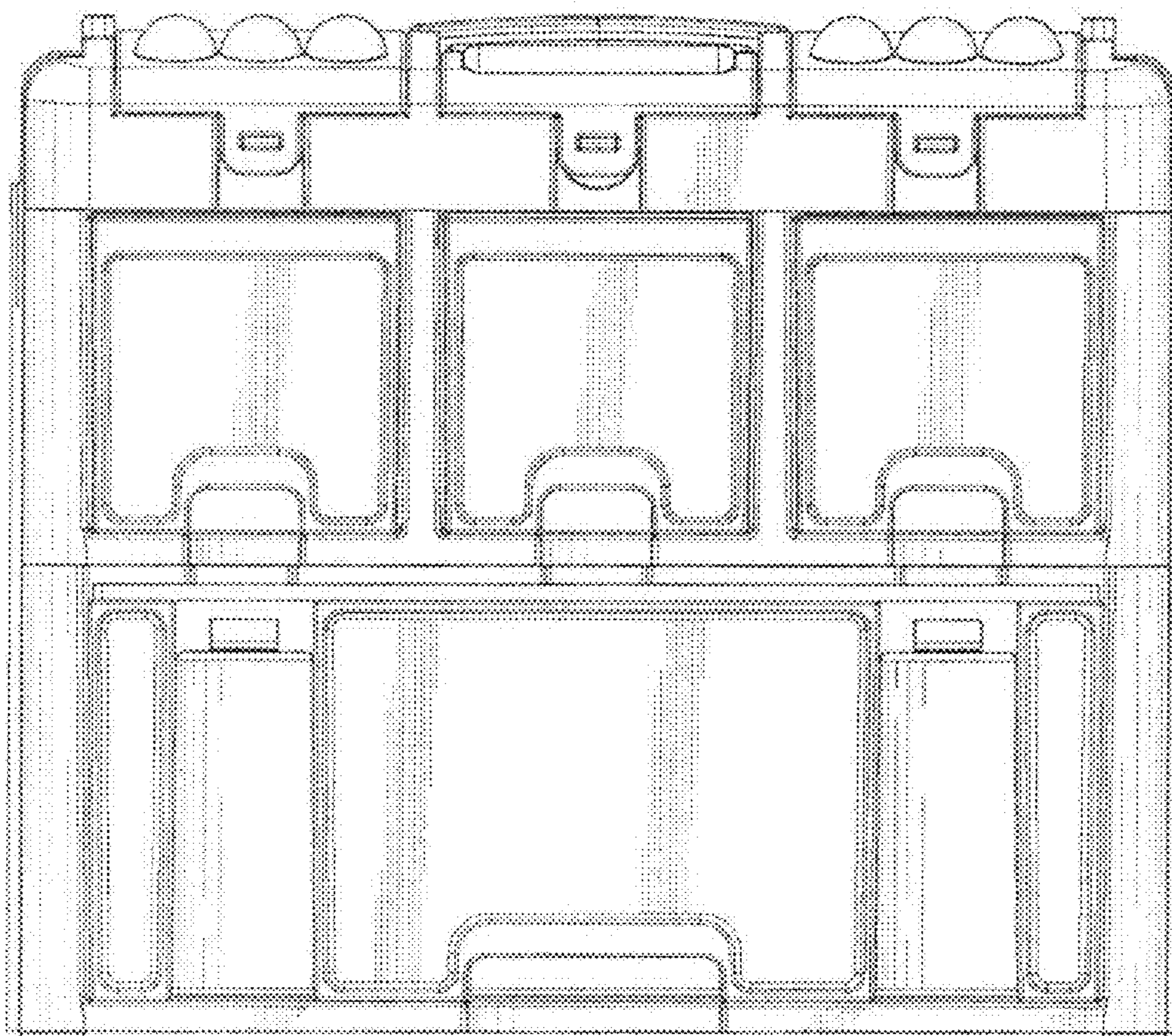


FIG. 2

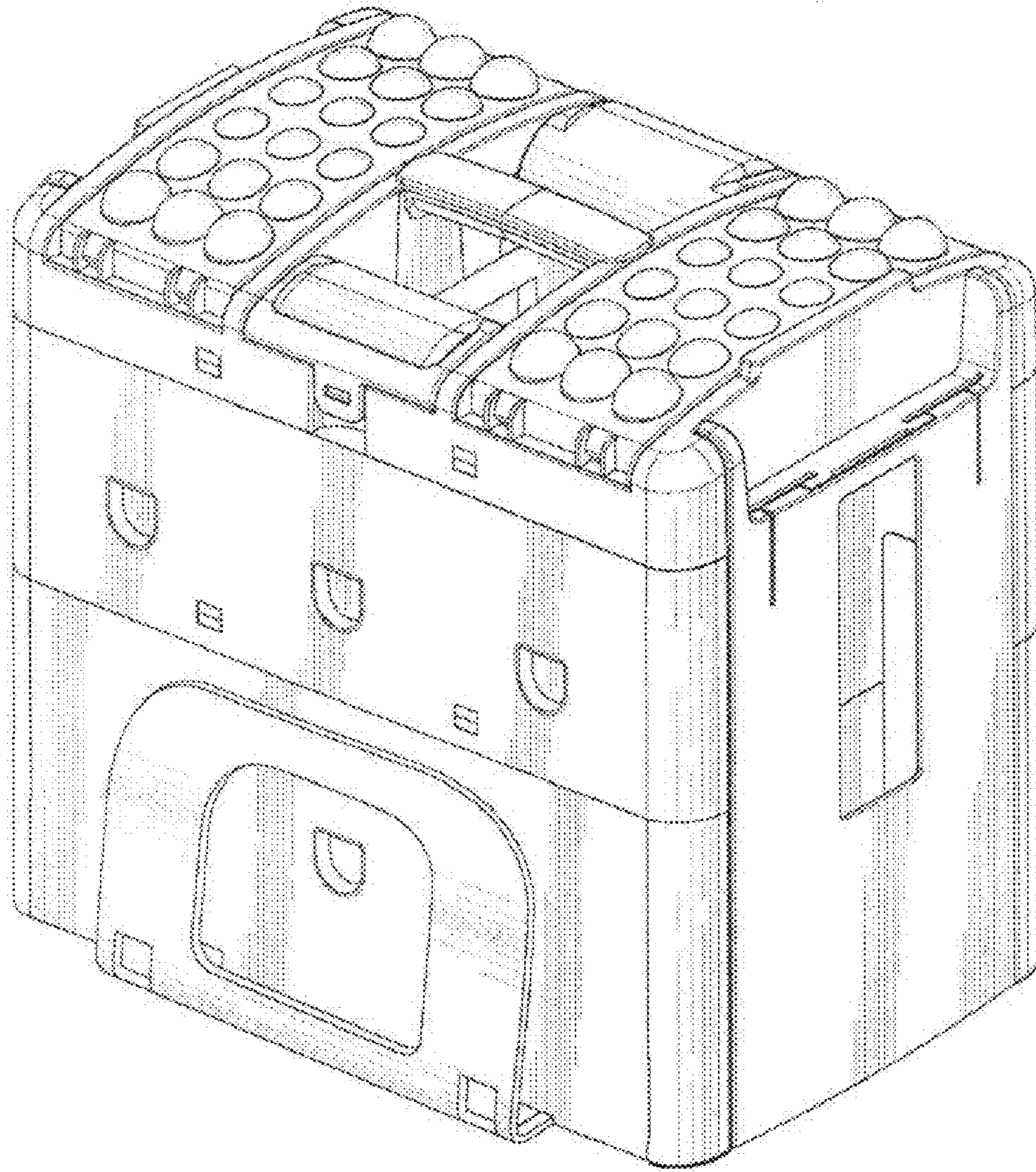


FIG. 3

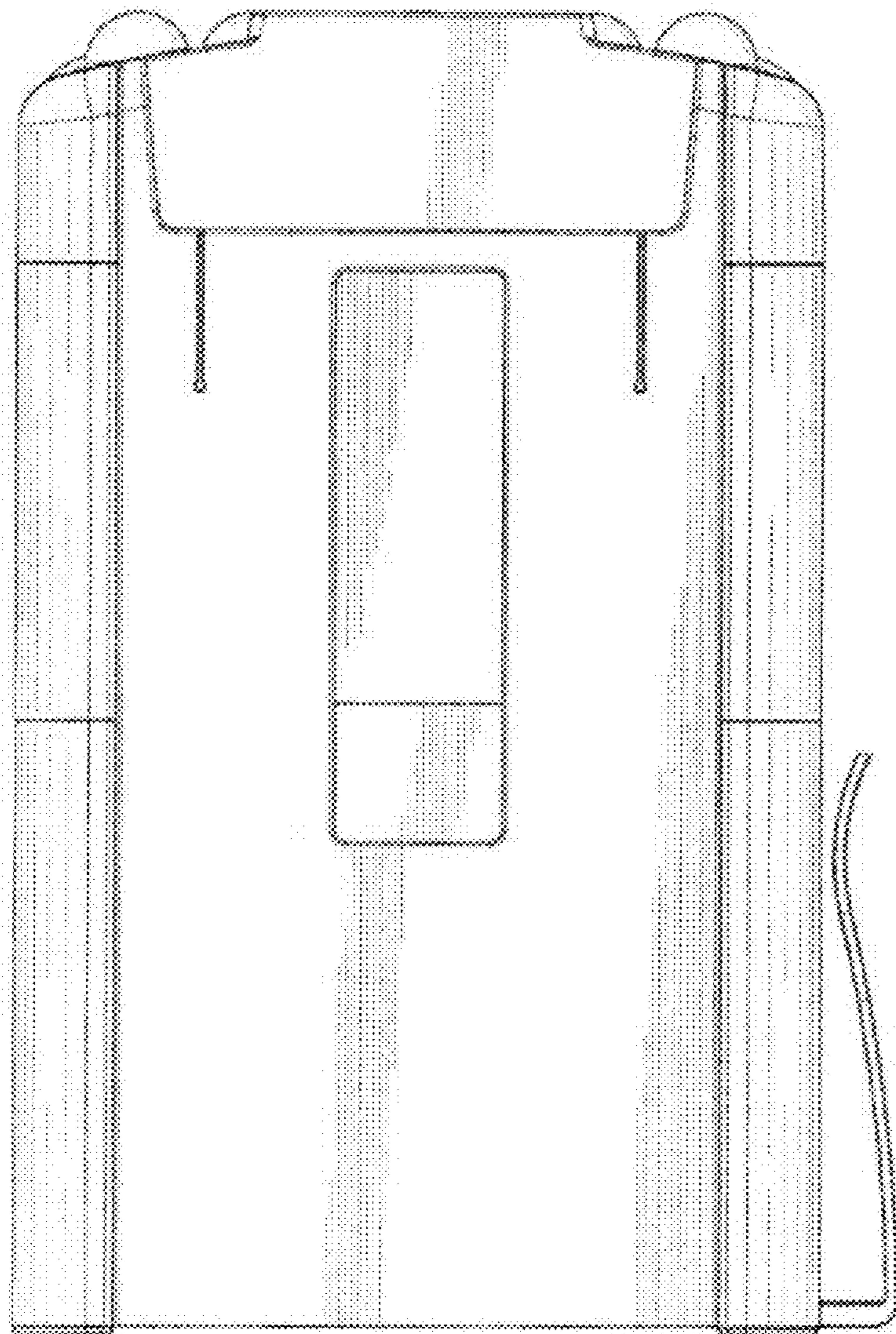


FIG. 4

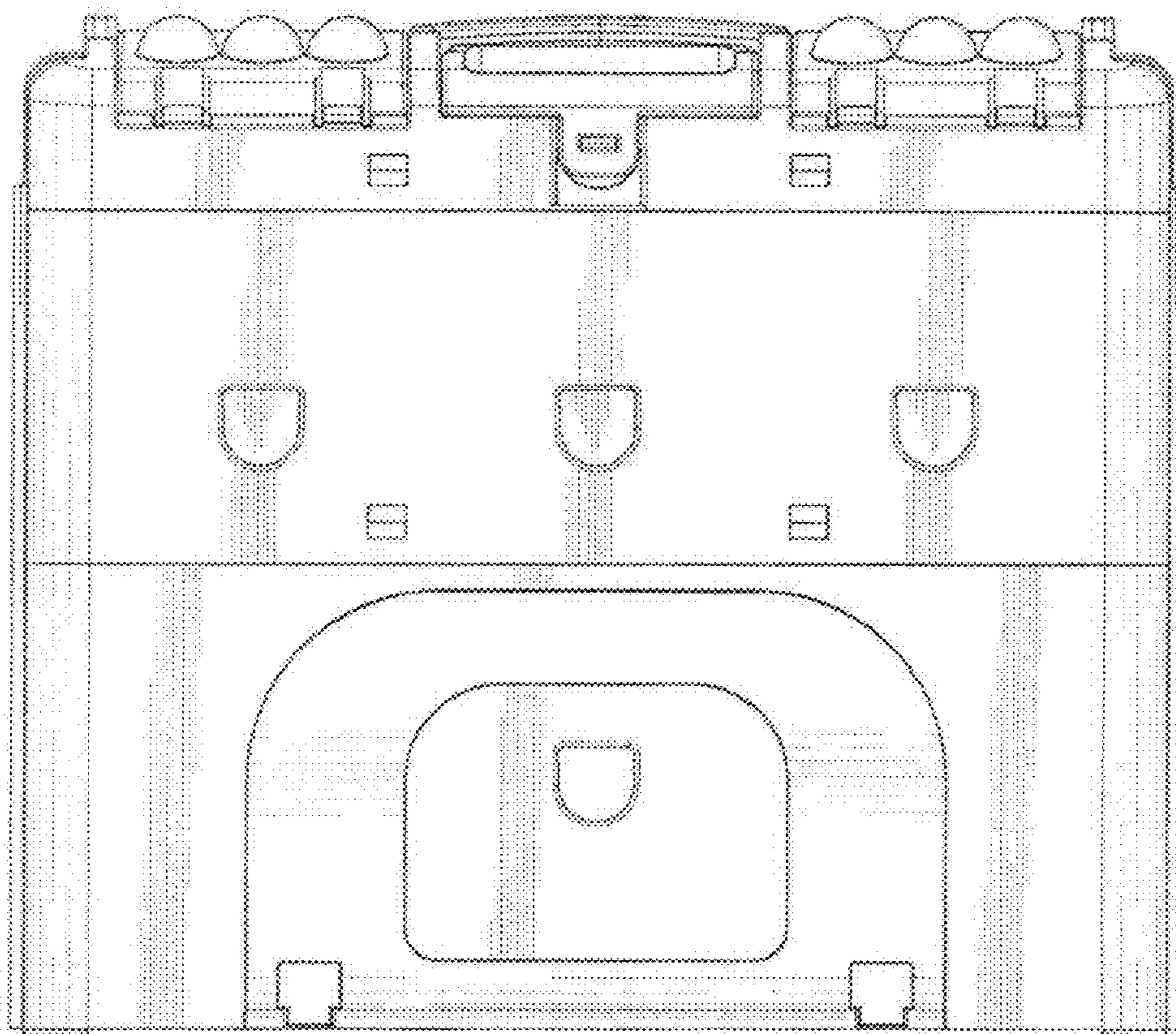


FIG. 5

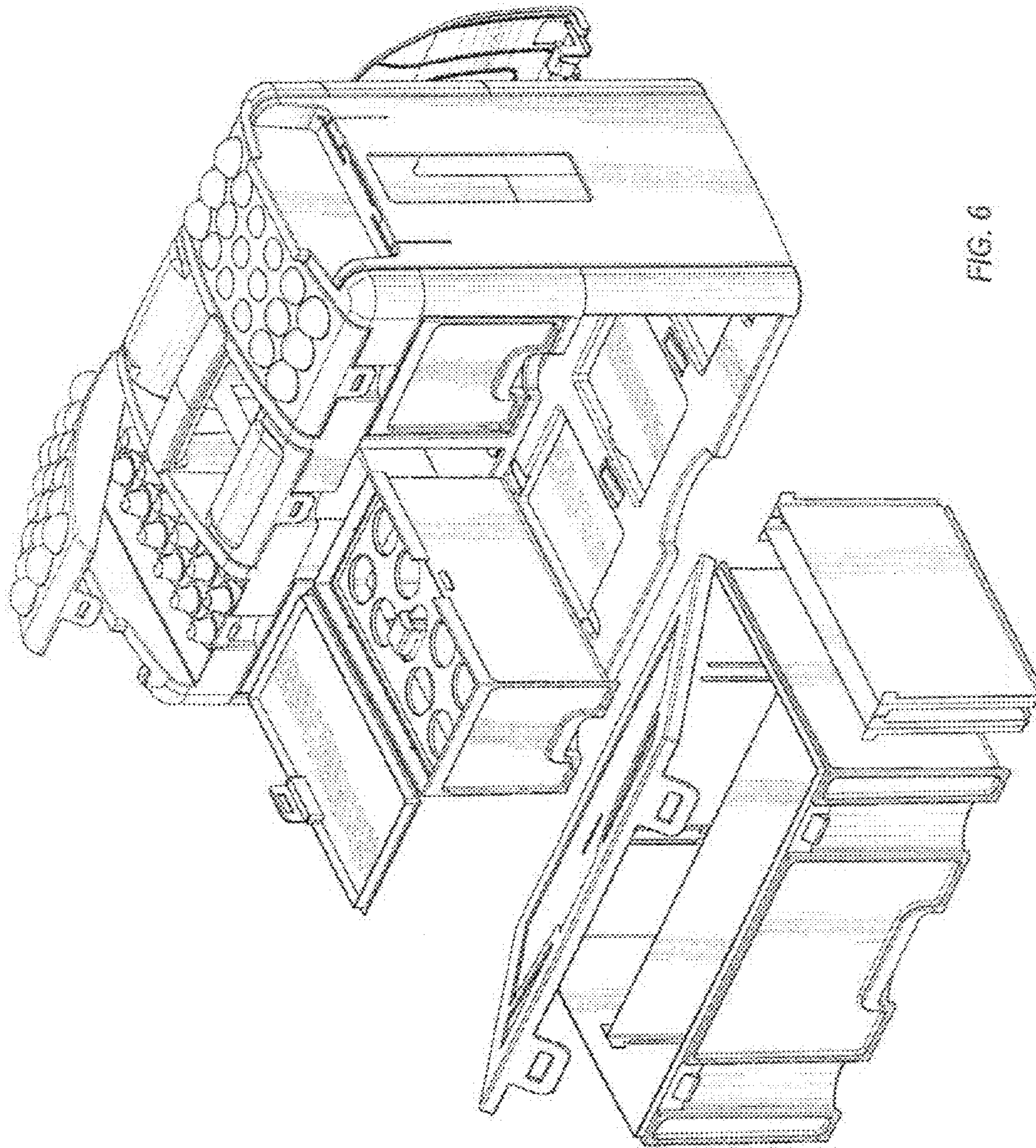


FIG. 6

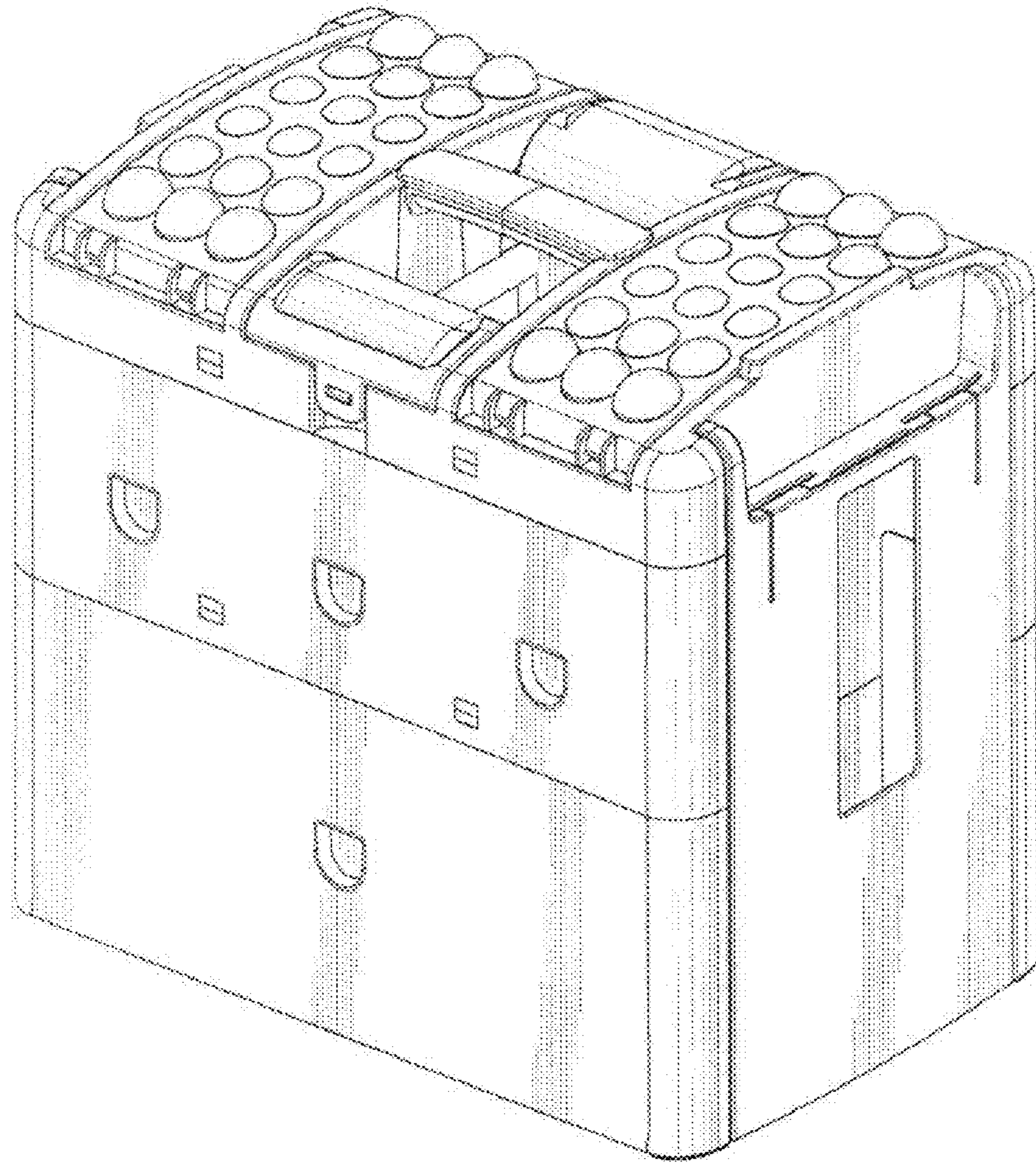


FIG. 7

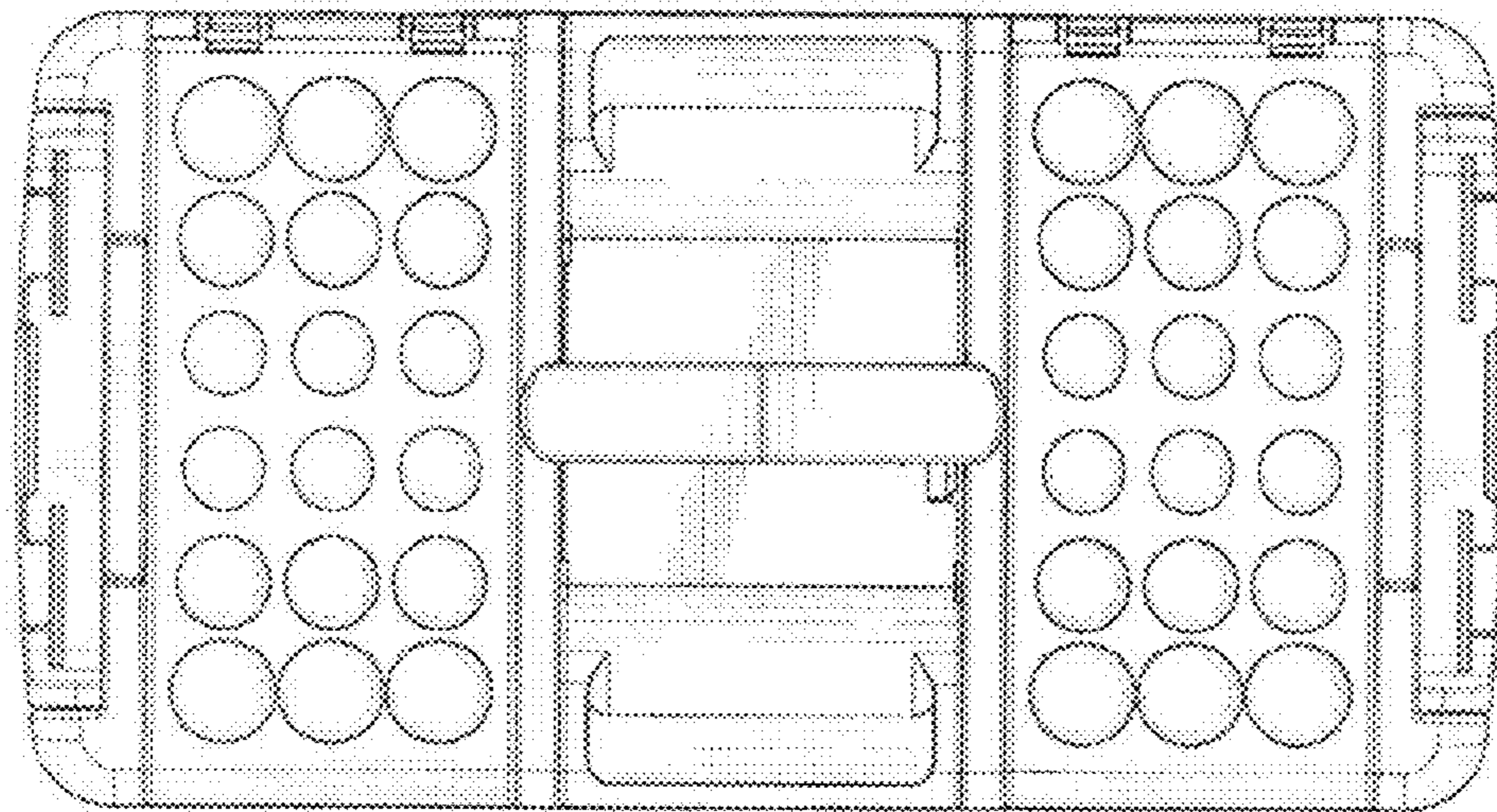


FIG. 8

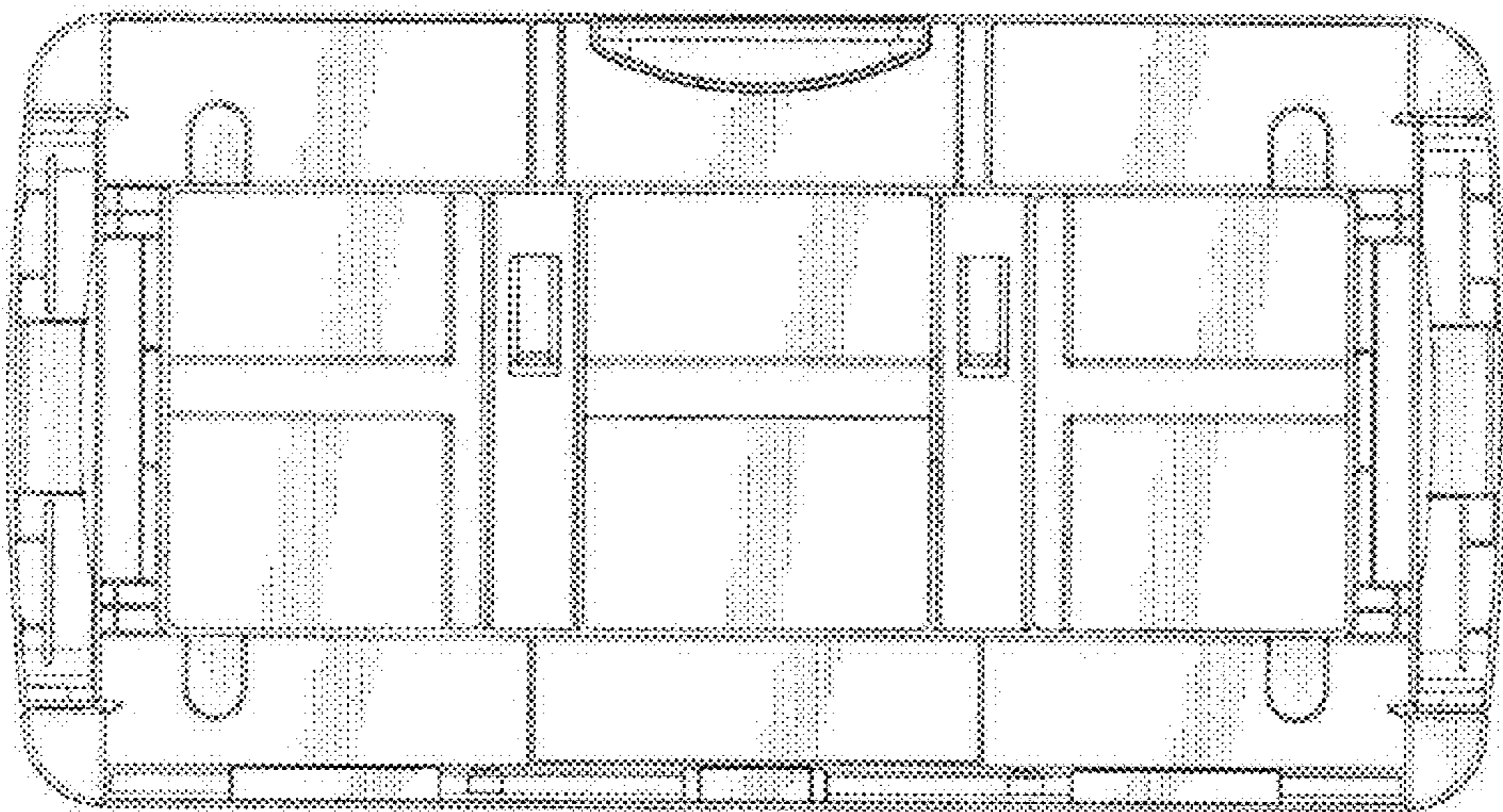


FIG. 9

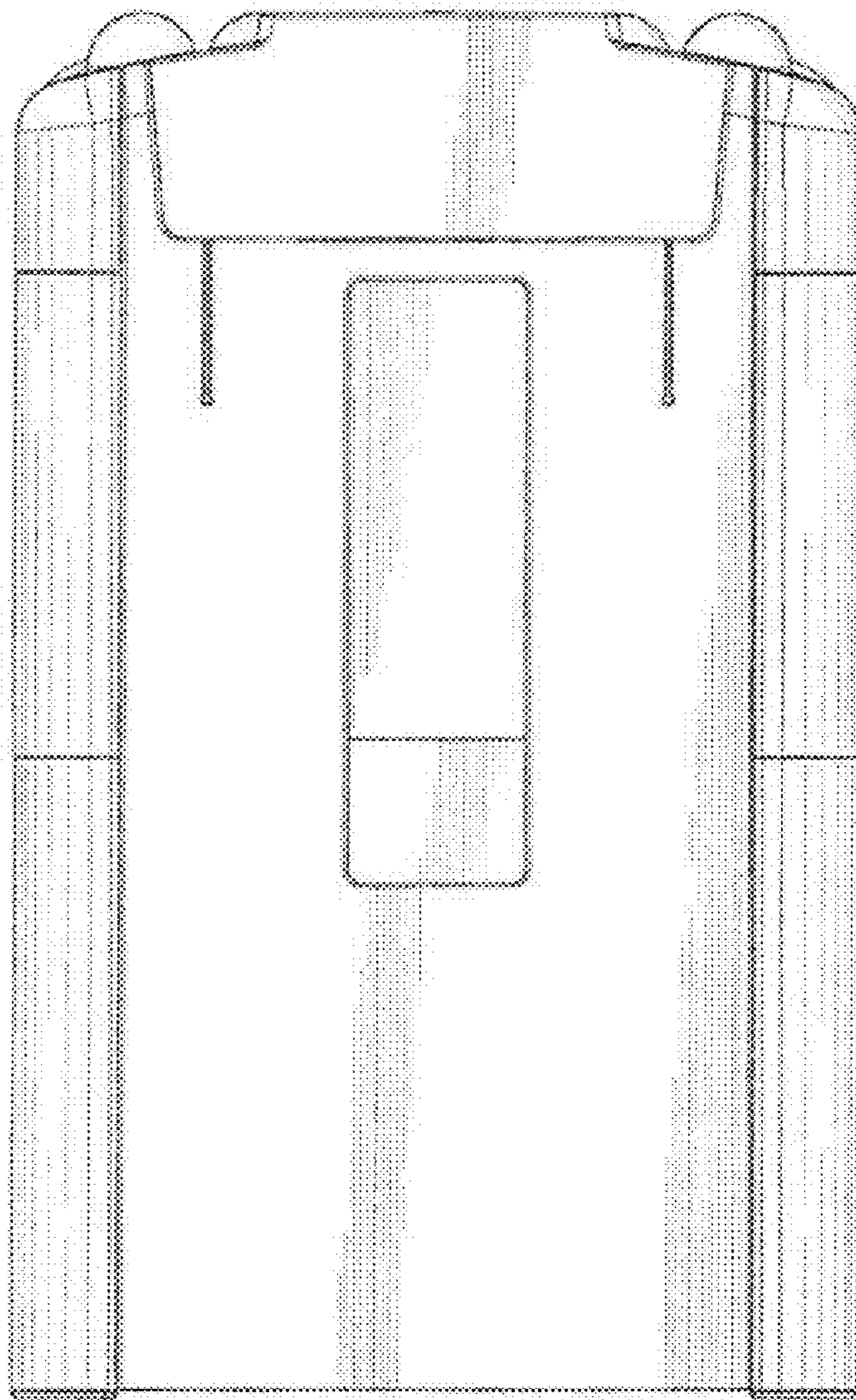


FIG. 10

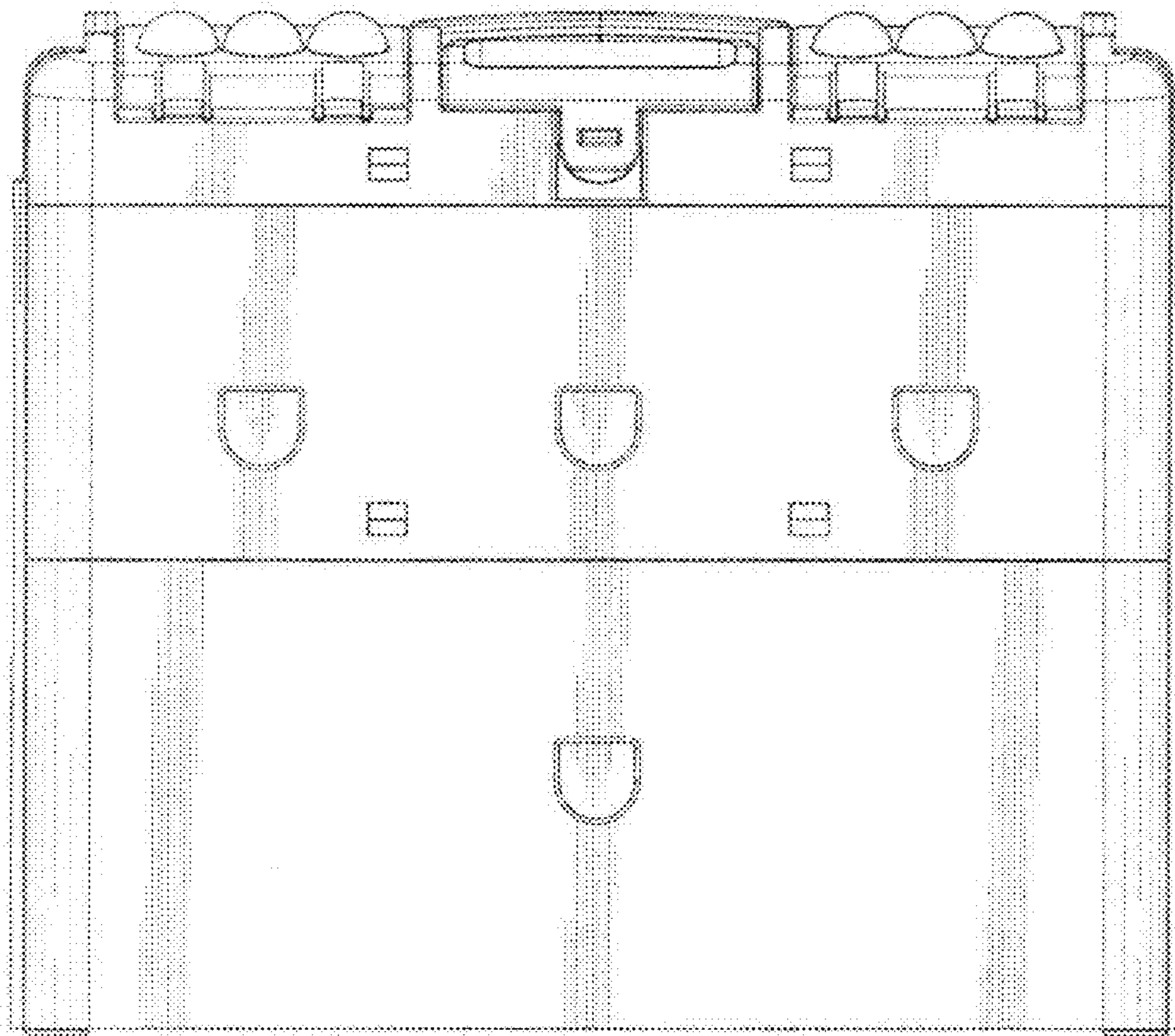


FIG. 11