



US00D588415S

(12) **United States Design Patent**
Ward, Jr. et al.

(10) **Patent No.:** **US D588,415 S**
(45) **Date of Patent:** **** Mar. 17, 2009**

(54) **COOKWARE ORGANIZER**

(75) Inventors: **Kevin M. Ward, Jr.**, Louisville, KY
(US); **Robert J. Jenkins**, Louisville, KY
(US)

(73) Assignee: **Rev-A-Shelf Company, LLC**,
Jeffersontown, KY (US)

(**) Term: **14 Years**

(21) Appl. No.: **29/319,046**

(22) Filed: **Jun. 3, 2008**

(51) **LOC (9) Cl.** **07-99**

(52) **U.S. Cl.** **D7/601**

(58) **Field of Classification Search** D7/637-641,
D7/601, 708, 704, 701, 707; D6/462, 463,
D6/465-468, 476, 552, 553, 566; 312/128-136,
312/294, 334.8; 211/41.1, 41.2, 41.17, 41.18,
211/126.13, 13.1, 90.2, 102, 106, 181.1,
211/184

See application file for complete search history.

(56) **References Cited**

U.S. PATENT DOCUMENTS

1,065,000	A	6/1913	Sarter et al.	
D169,433	S *	4/1953	Smith	D7/641
4,592,471	A	6/1986	Bross	211/41
D324,155	S *	2/1992	Hyman	D7/590
5,649,630	A	7/1997	Remmler	211/41.8
D396,171	S *	7/1998	Conway	D7/590
6,116,436	A	9/2000	Ferrucci et al.	211/187
D471,768	S *	3/2003	Morgan	D7/601

D480,926	S	10/2003	Morgan	D7/601
D481,263	S *	10/2003	Morgan	D7/601
D486,699	S *	2/2004	Morgan	D7/601
D509,108	S *	9/2005	Rosenberg et al.	D7/601
7,007,808	B2	3/2006	Morgan	211/41.11
7,104,409	B2	9/2006	Morgan	211/41.1
7,121,413	B2	10/2006	Morgan	211/41.11

* cited by examiner

Primary Examiner—Terry A Wallace

(74) *Attorney, Agent, or Firm*—Brinks Hofer Gilson & Lione

(57) **CLAIM**

We claim the ornamental design for a cookware organizer, as shown and described.

DESCRIPTION

FIG. 1 is a perspective view of a cookware organizer of the present invention.

FIG. 2 is a side elevation view of the cookware organizer of FIG. 1, the opposite side being a mirror image thereof.

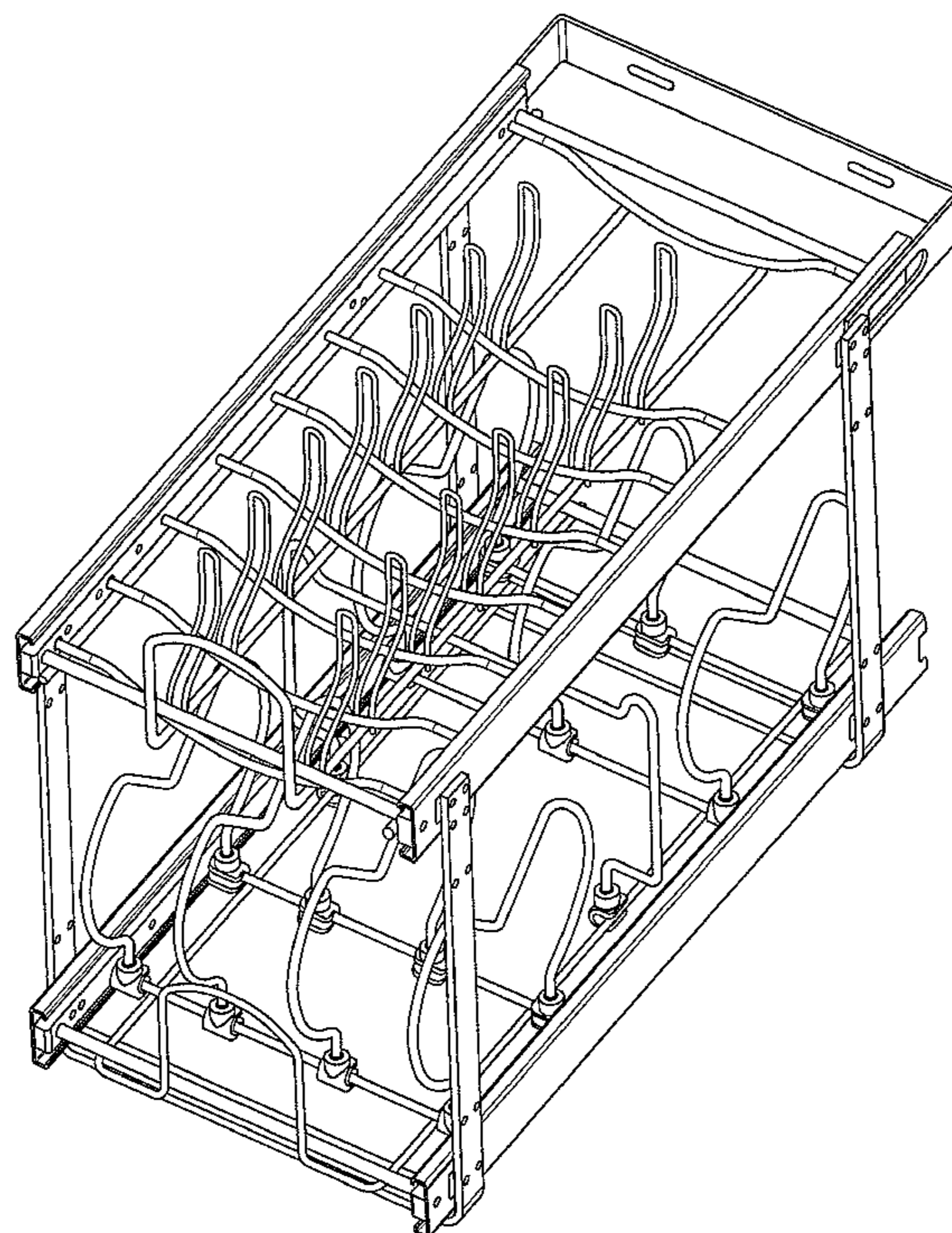
FIG. 3 is a front elevation view of the cookware organizer of FIG. 1.

FIG. 4 is a back elevation view of the cookware organizer of FIG. 1.

FIG. 5 is a top plan view of the cookware organizer of FIG. 1; and,

FIG. 6 is a second perspective view of the cookware organizer of FIG. 1, with a bottom slide fully extended and a top slide partially extended from the frame of the cookware organizer.

1 Claim, 6 Drawing Sheets



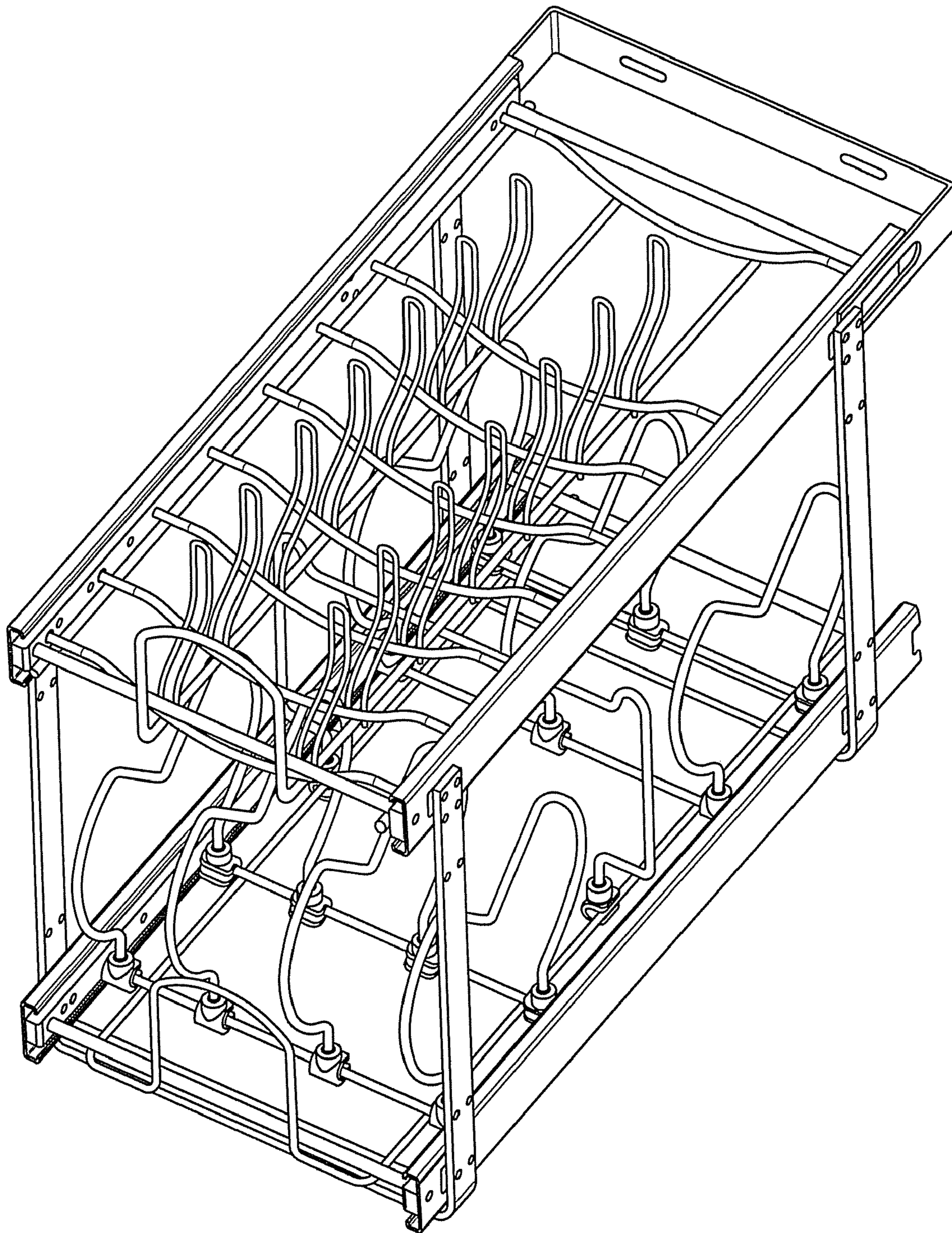


Fig. 1

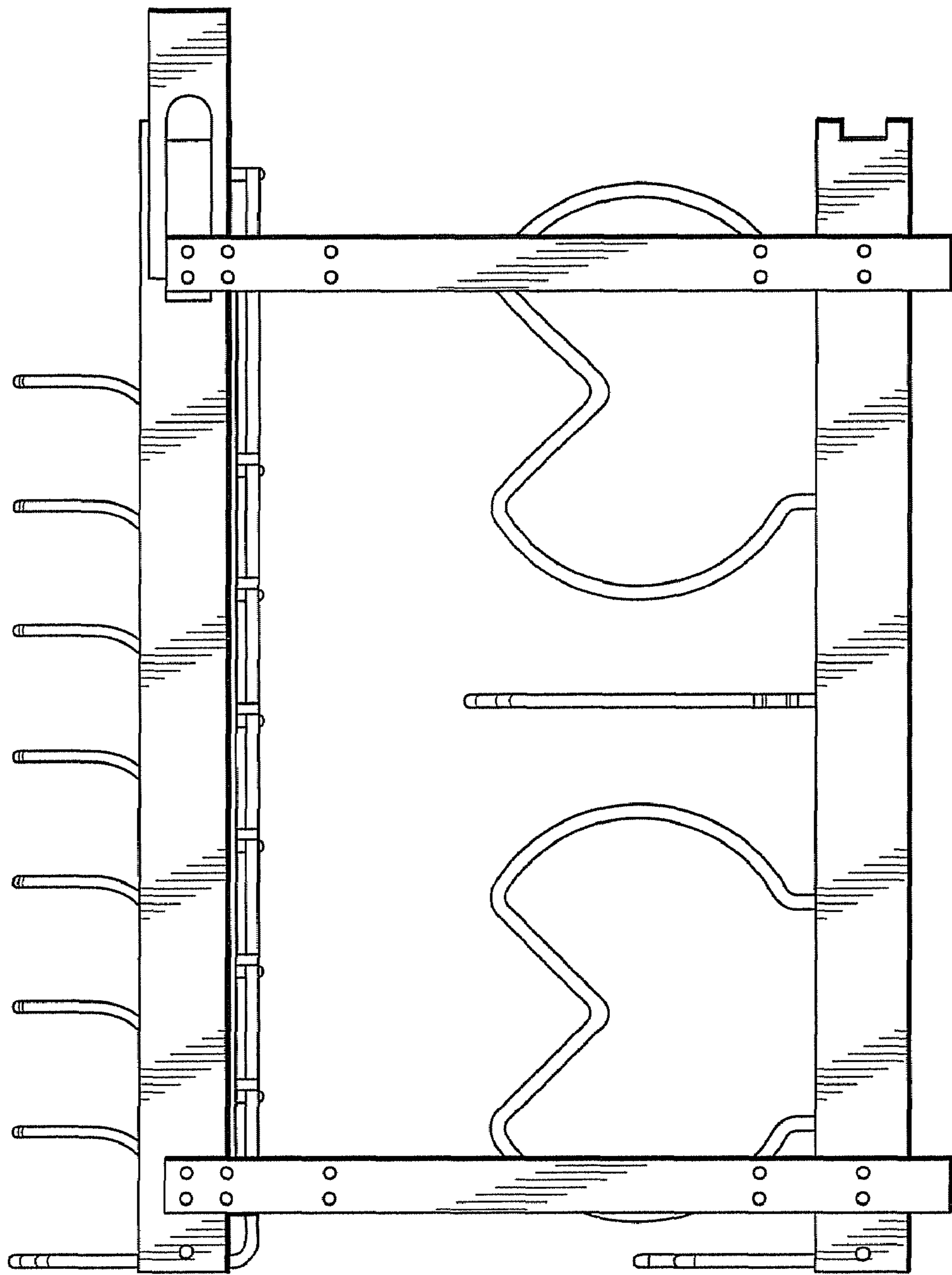


Fig. 2

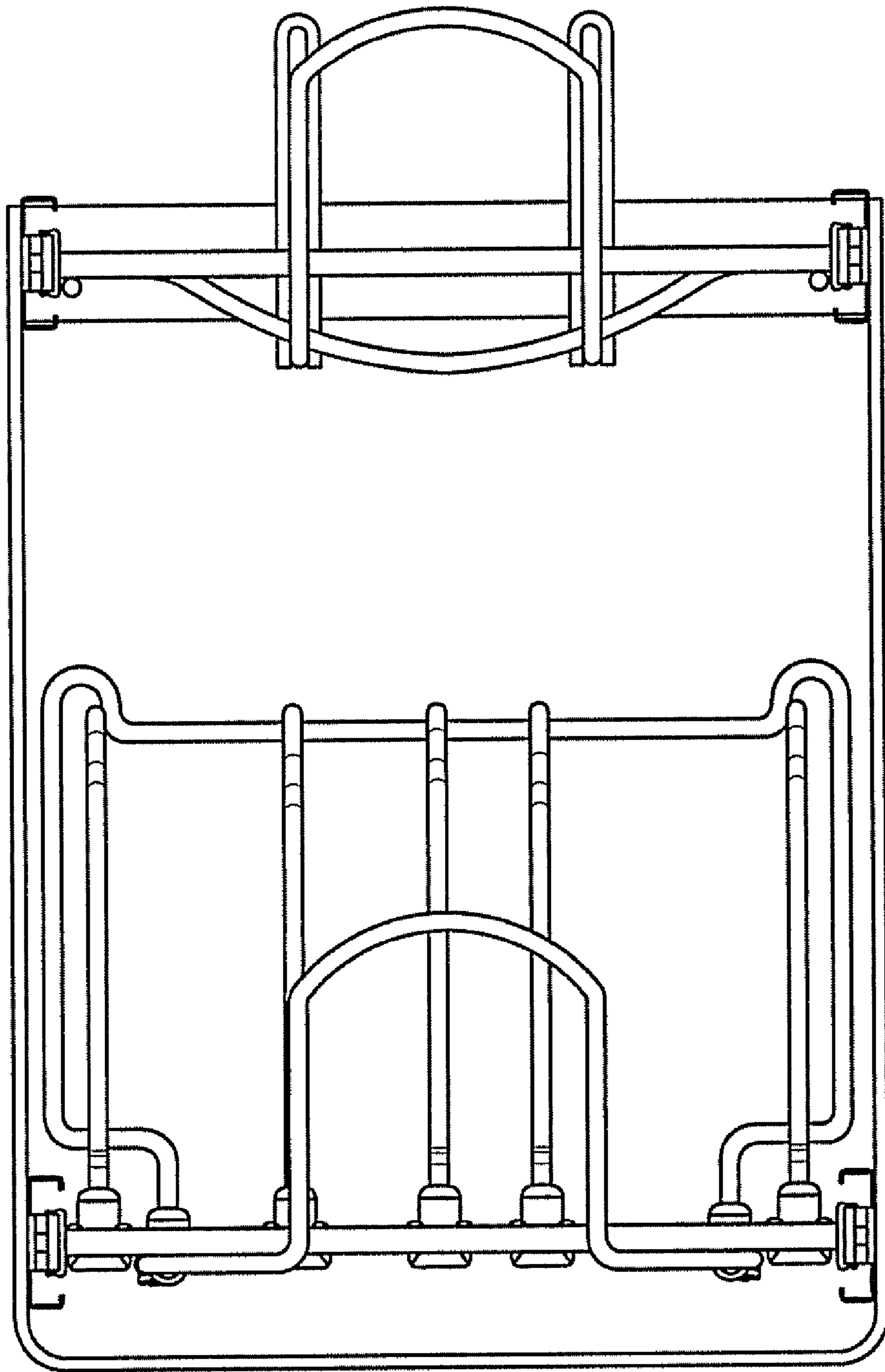


Fig. 3

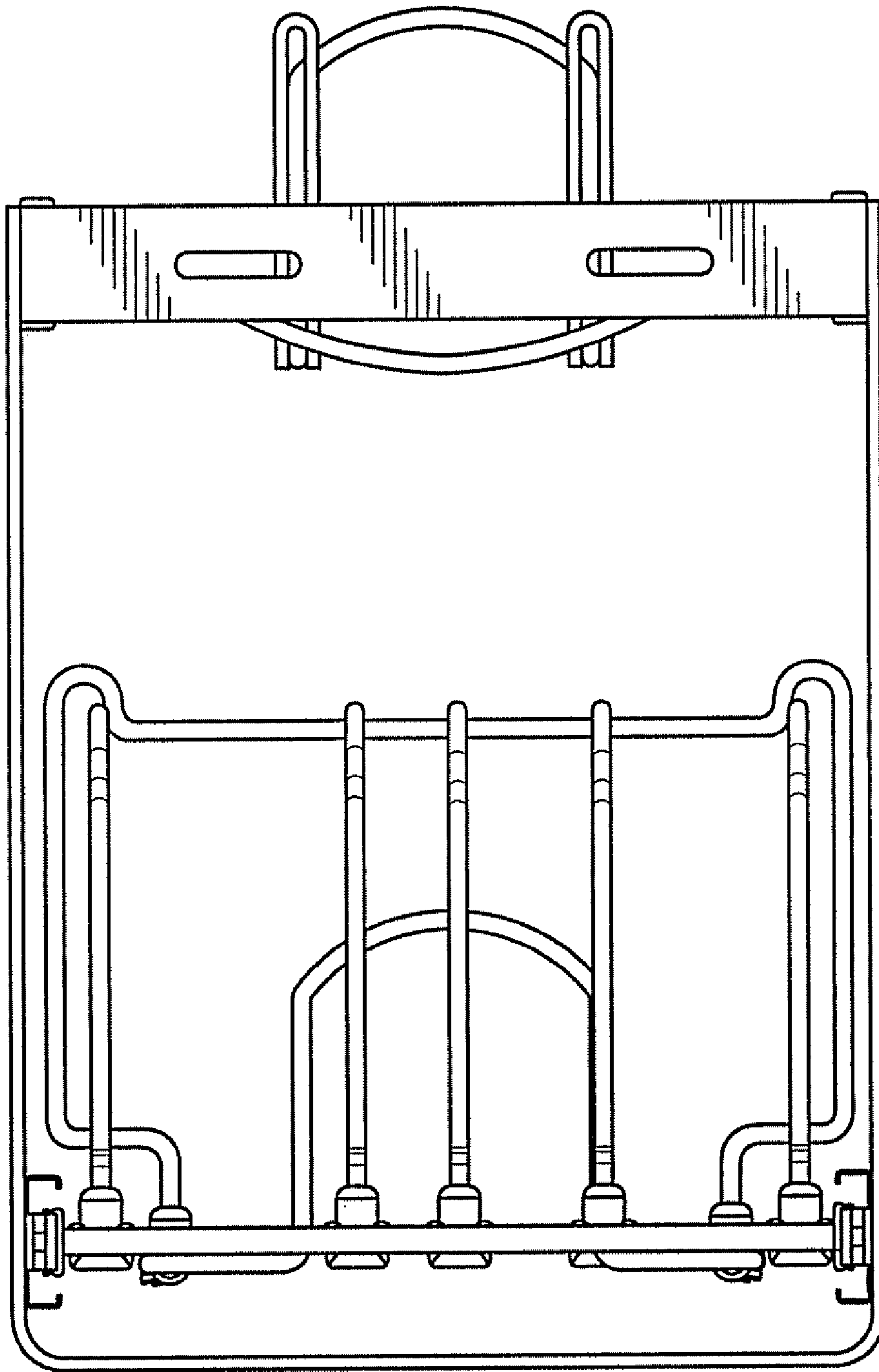


Fig. 4

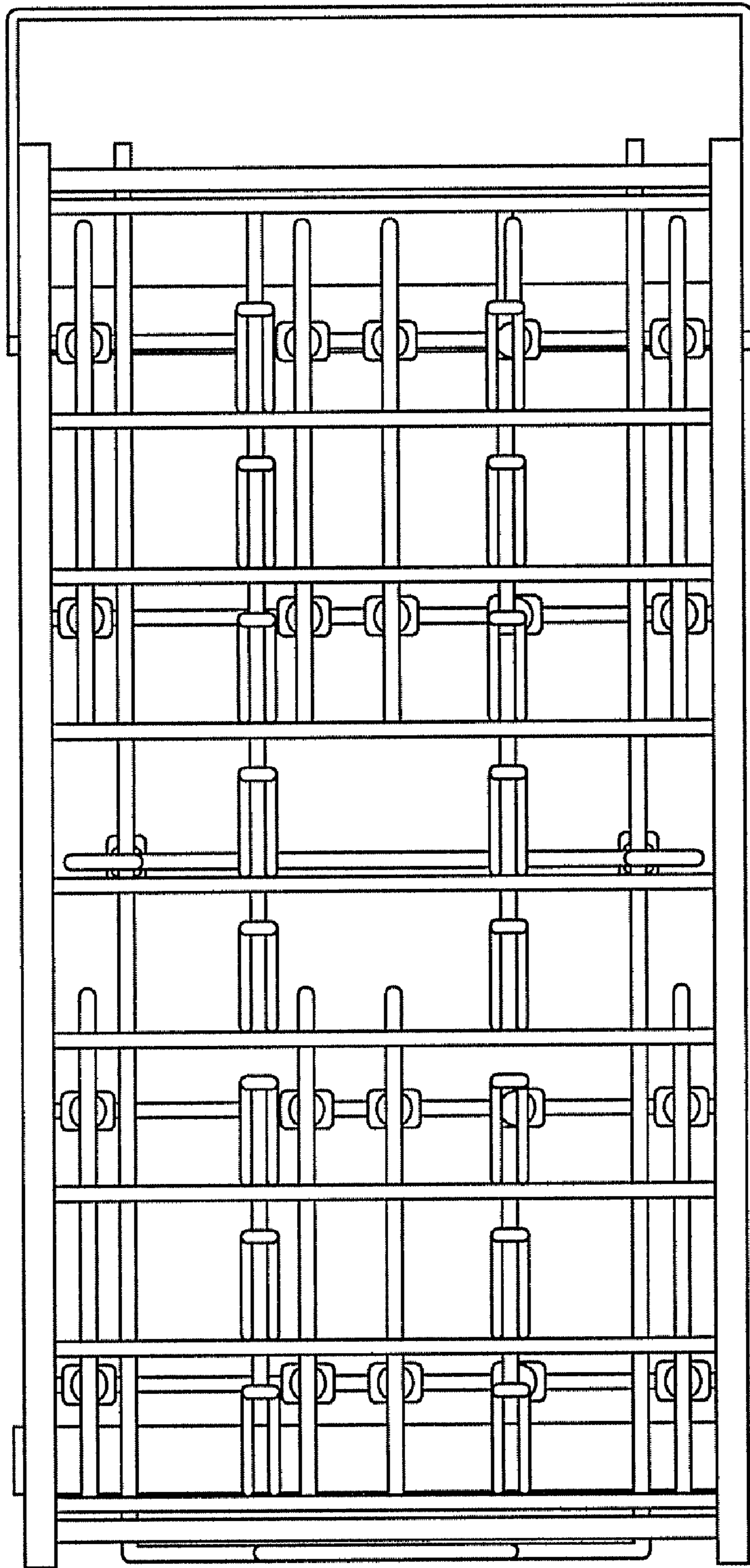


Fig. 5

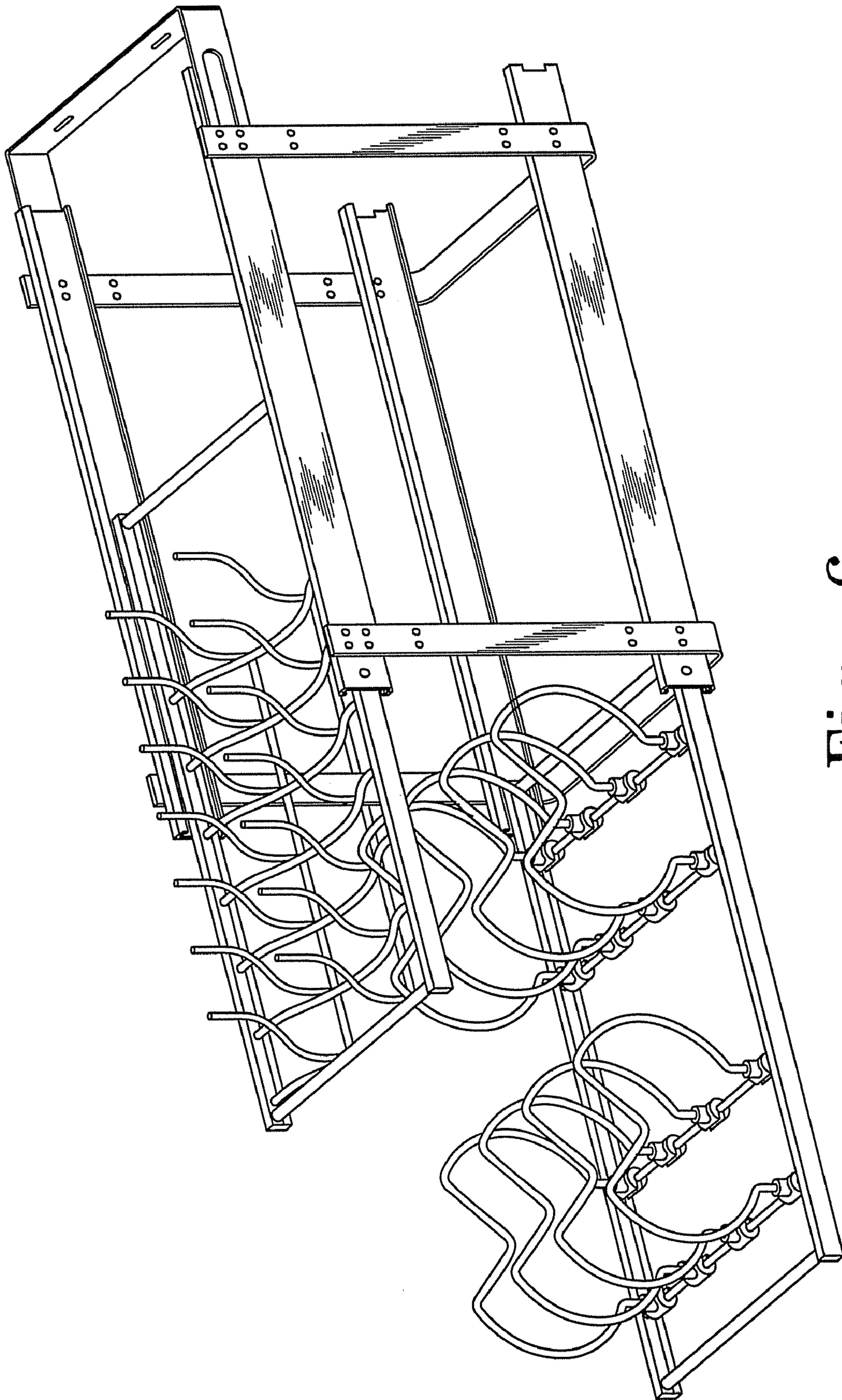


Fig. 6