



US00D588414S

(12) **United States Design Patent**  
**Verghese**

(10) **Patent No.:** **US D588,414 S**

(45) **Date of Patent:** **\*\* Mar. 17, 2009**

(54) **STACKABLE COOLING RACK**

6,135,299 A \* 10/2000 Burgess ..... 211/194  
6,155,435 A \* 12/2000 Malik ..... 211/194

(76) Inventor: **Mary Verghese**, 929 Duncan Rd., South  
Daytona, FL (US) 32119

\* cited by examiner

*Primary Examiner*—Terry A Wallace

(\*\*) Term: **14 Years**

(57) **CLAIM**

(21) Appl. No.: **29/318,938**

The ornamental design for a stackable cooling rack, as shown  
and described.

(22) Filed: **May 30, 2008**

(51) **LOC (9) Cl.** ..... **07-99**

**DESCRIPTION**

(52) **U.S. Cl.** ..... **D7/601; D7/704**

FIG. 1 is a perspective view of a stackable cooling rack,  
showing my new design;

(58) **Field of Classification Search** ..... D7/601,

FIG. 2 is a front elevational view of the invention;

D7/701–708; 211/85.4, 85.31, 112, 187,

FIG. 3 is a rear elevational view of the invention;

211/150, 196, 74, 205, 194, 181.1, 175, 134;

FIG. 4 is a left-side elevational view of the invention

D6/396, 397, 403, 405, 449, 461, 477, 487

FIG. 5 is a right-side elevational view of the invention;

See application file for complete search history.

FIG. 6 is a top plan view of the invention; and,

(56) **References Cited**

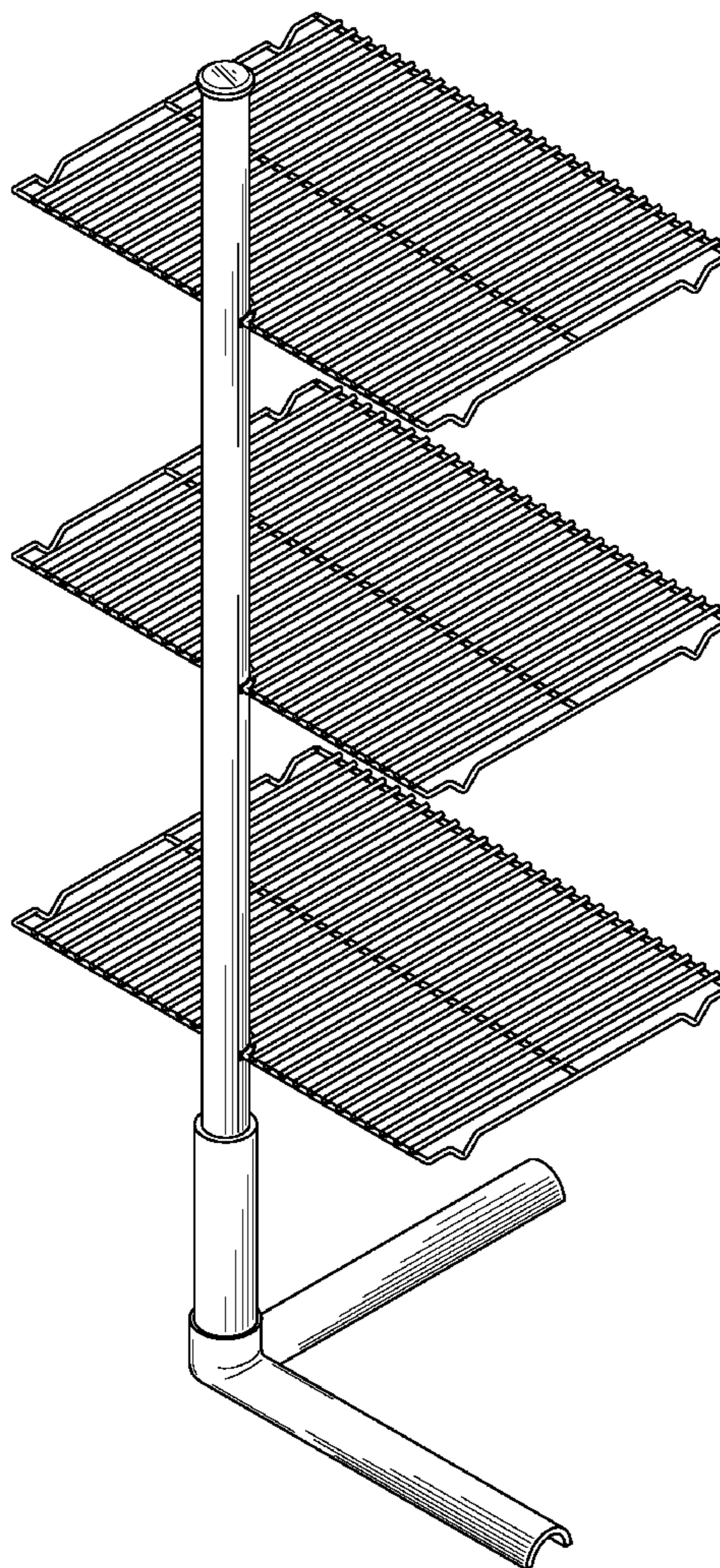
FIG. 7 is a bottom plan view of the invention.

**U.S. PATENT DOCUMENTS**

5,167,331 A \* 12/1992 Luukkonen ..... 211/181.1

5,833,083 A \* 11/1998 Miller ..... 211/134

**1 Claim, 6 Drawing Sheets**



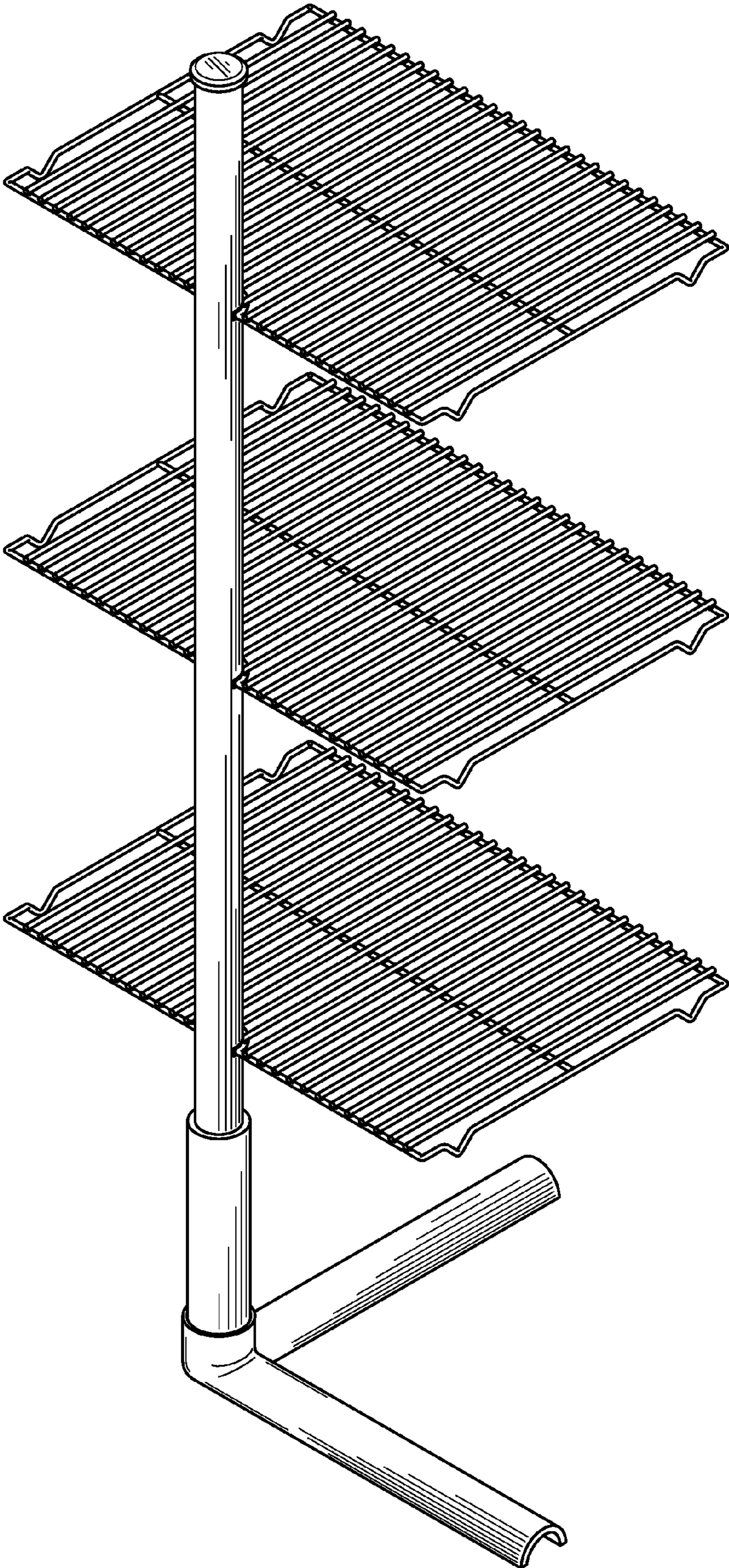


FIG. 1

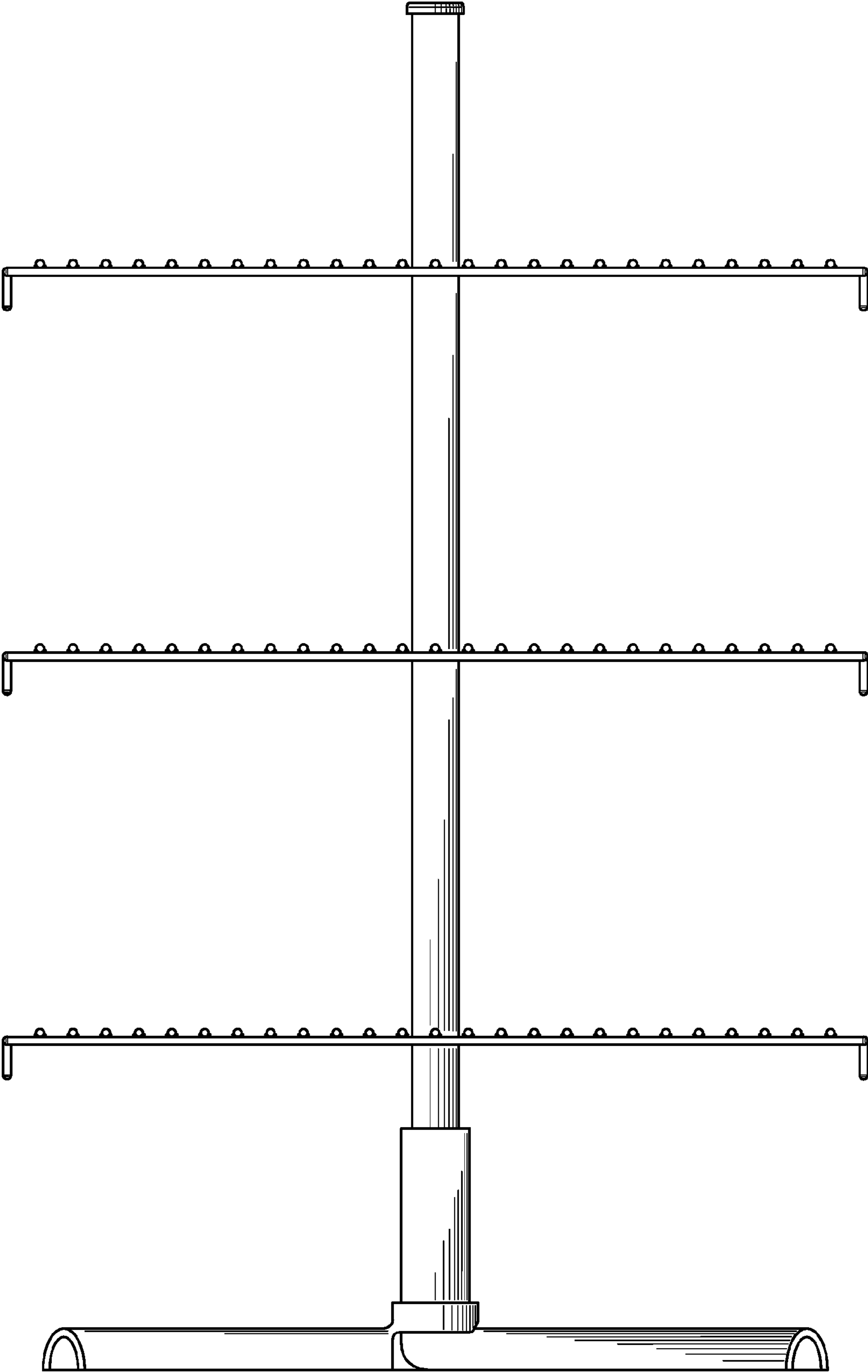


FIG. 2

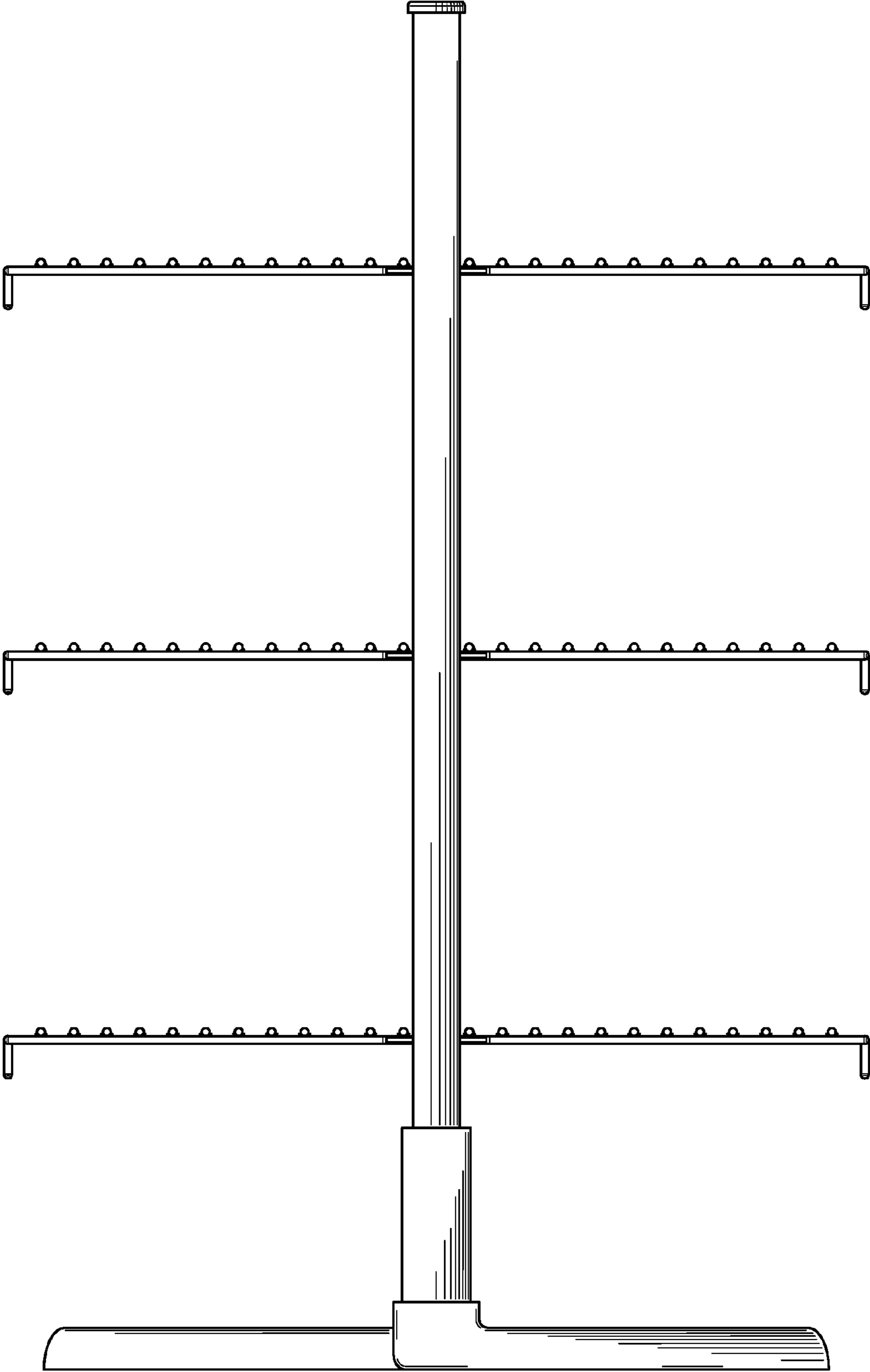


FIG. 3



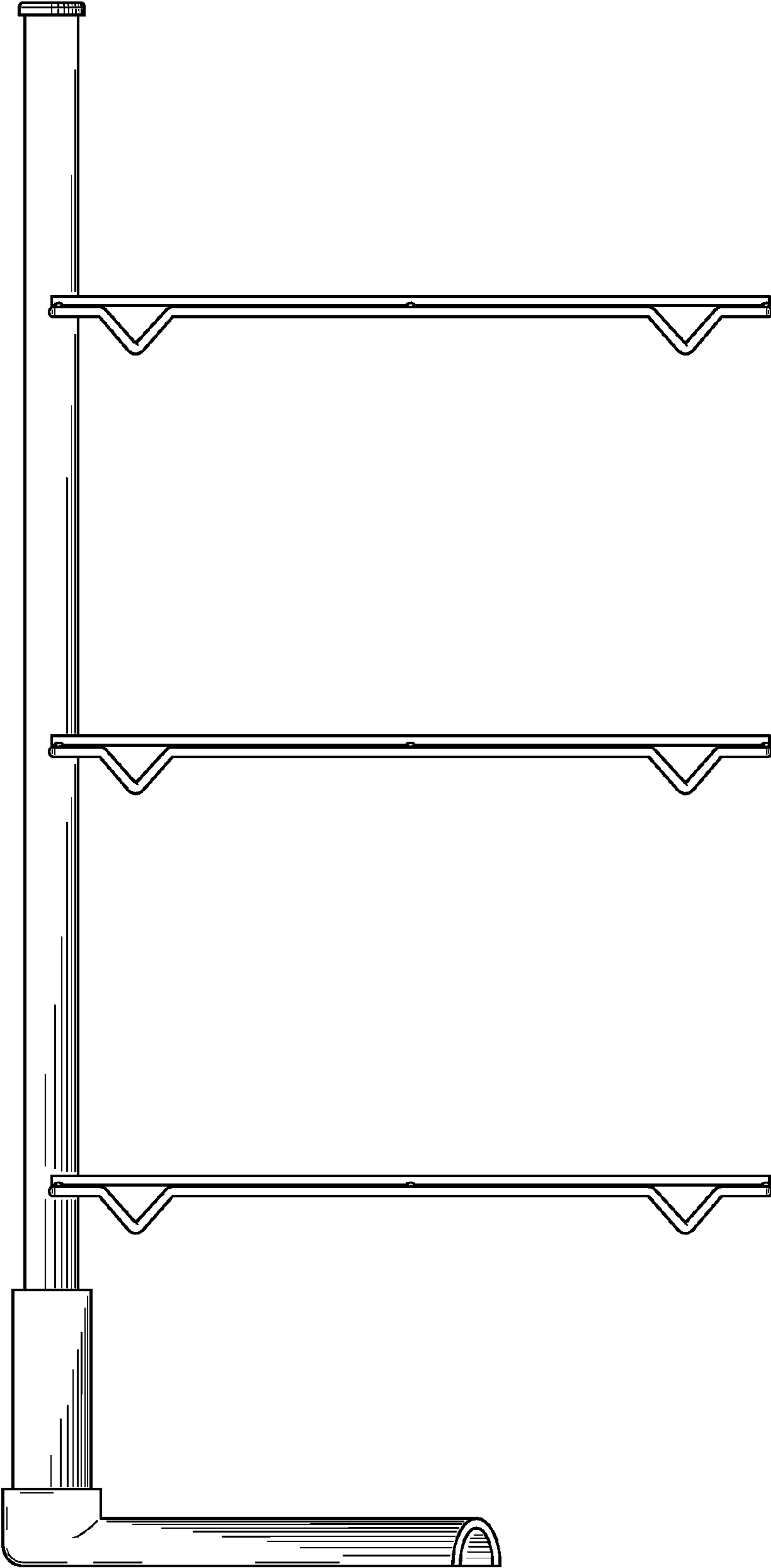


FIG. 4

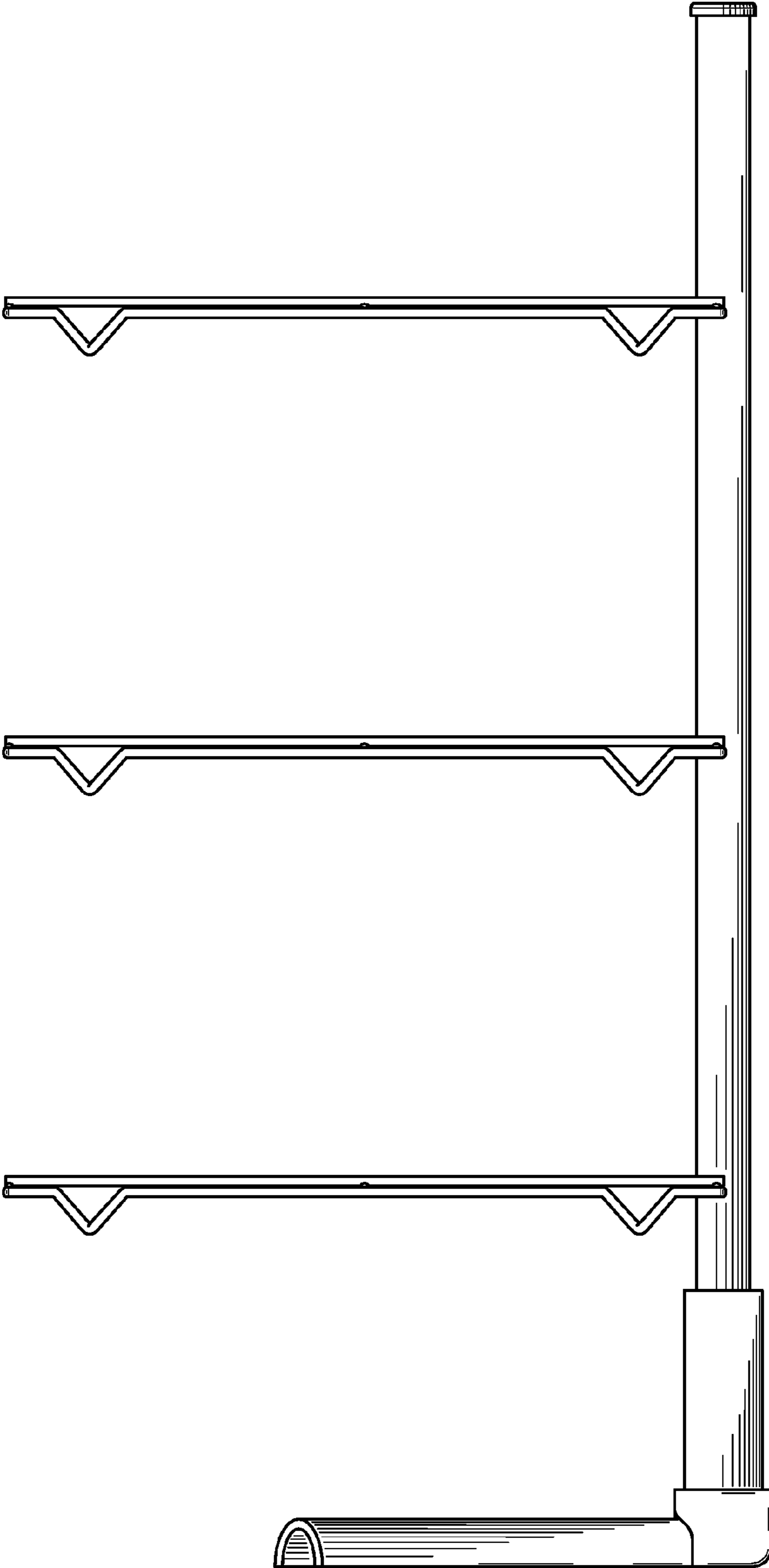


FIG. 5

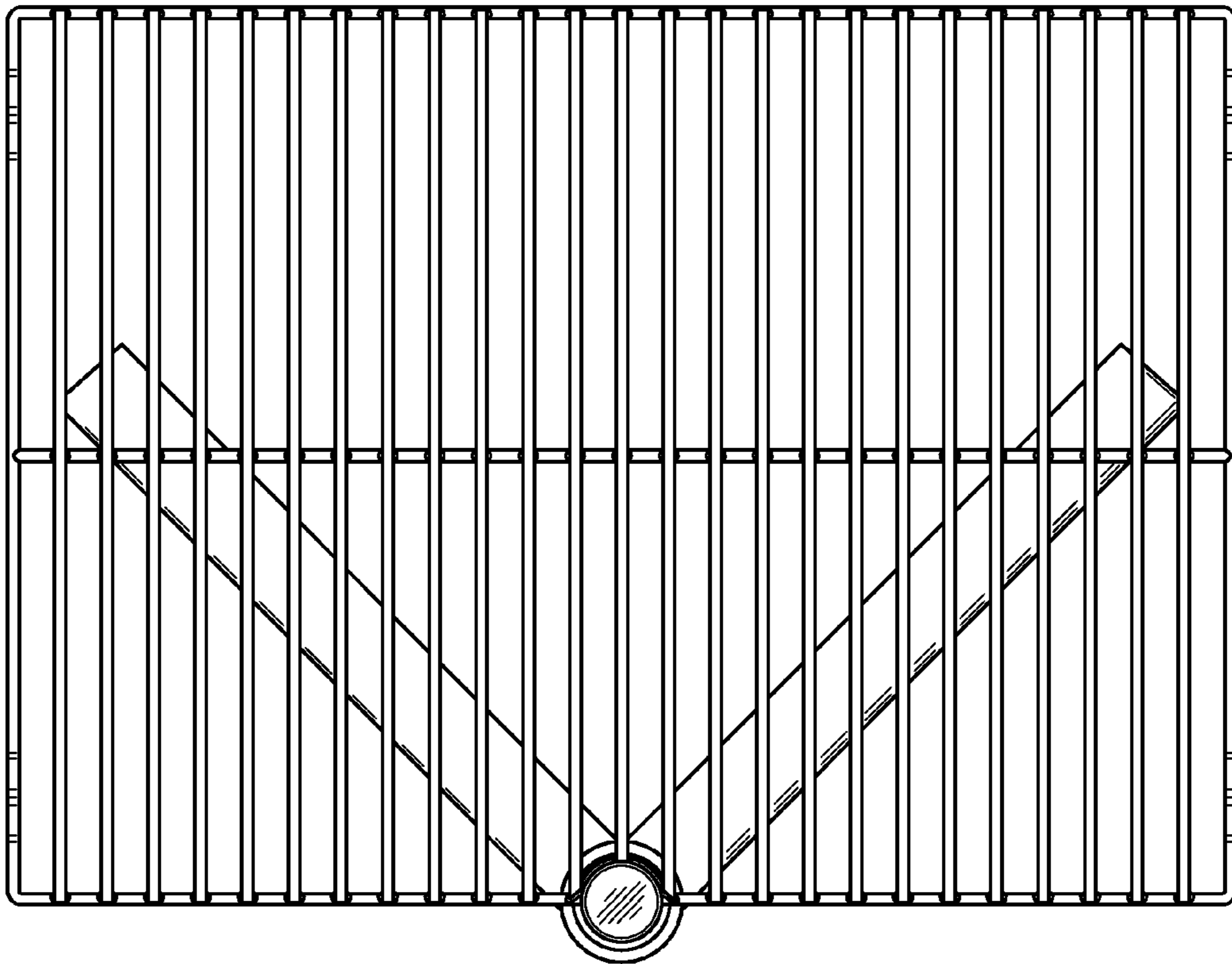


FIG. 6

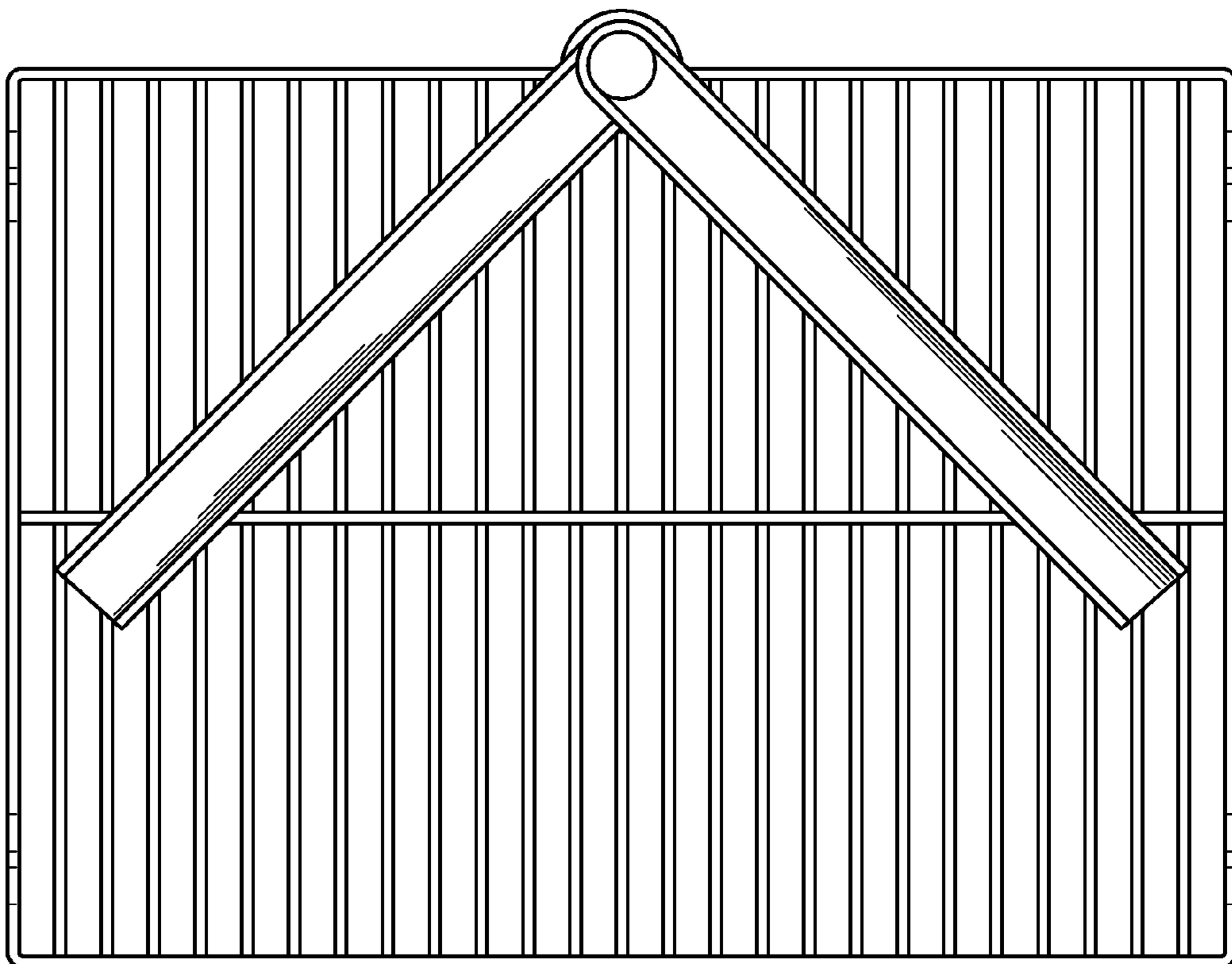


FIG. 7