



US00D588406S

(12) **United States Design Patent**
Ulanski

(10) **Patent No.:** **US D588,406 S**
(45) **Date of Patent:** **** Mar. 17, 2009**

(54) **CONTAINER FOR A BLENDER**
(75) Inventor: **Robert M. Ulanski**, Broadview Heights, OH (US)
(73) Assignee: **Vita-Mix Corporation**, Cleveland, OH (US)
(**) Term: **14 Years**
(21) Appl. No.: **29/301,833**
(22) Filed: **Mar. 18, 2008**

(51) **LOC (9) Cl.** **31-00**
(52) **U.S. Cl.** **D7/413**
(58) **Field of Classification Search** D7/317-318, D7/376-386, 412-415; D23/209; 99/348, 99/509-511; 222/465.1; 241/30-37.5, 101.01-101.2, 241/166-169.1, 274-278.2, 285.1-285.3, 241/291, 292.1; 366/64-67, 98, 192, 197-211, 366/205-206, 241-254, 279-292, 341-343
See application file for complete search history.

(56) **References Cited**

U.S. PATENT DOCUMENTS

D163,117	S *	5/1951	Hobbs	D7/318
3,064,949	A	11/1962	Dewenter	241/195
D204,117	S *	3/1966	De Sesa	D7/378
3,311,353	A *	3/1967	Rogenski	366/197
D217,178	S *	4/1970	Crider	D7/317
D227,535	S *	7/1973	Grimes	D7/318
D228,698	S *	10/1973	Barnard, Jr.	D7/378
4,655,373	A *	4/1987	Essen	222/465.1
D309,077	S *	7/1990	Pomroy	D7/318
D336,590	S	6/1993	Barnard	D7/378
D350,451	S *	9/1994	Dickson	D7/384
D429,956	S *	8/2000	Bohannon et al.	D7/413
D435,192	S *	12/2000	Bohannon et al.	D7/413
D437,731	S *	2/2001	Thackray	D7/413
D452,296	S *	12/2001	Egnell et al.	D23/209
D480,915	S *	10/2003	Kolar et al.	D7/413
6,811,303	B2 *	11/2004	Dickson, Jr.	366/206

6,854,876	B2 *	2/2005	Dickson, Jr.	366/205
6,979,117	B2 *	12/2005	Dickson, Jr.	366/205
D514,868	S *	2/2006	Achenbach et al.	D7/318
D528,363	S *	9/2006	Ulanski et al.	D7/413
7,267,478	B2	9/2007	Miller et al.	366/205
D552,916	S *	10/2007	Bodum	D7/318
7,281,842	B2 *	10/2007	Dickson, Jr.	366/205
7,350,963	B2 *	4/2008	Williams et al.	366/205
2003/0213373	A1 *	11/2003	Dickson, Jr.	99/348
2003/0214875	A1 *	11/2003	Dickson, Jr.	366/206
2007/0165484	A1 *	7/2007	Branson et al.	366/192

* cited by examiner

Primary Examiner—Caron D. Veynar

Assistant Examiner—Ricky Pham

(74) *Attorney, Agent, or Firm*—Renner, Kenner, Greive, Bobak, Taylor & Weber

(57) **CLAIM**

The ornamental design for a container for a blender, as shown and described.

DESCRIPTION

FIG. 1 is a top, front, right side perspective view of a container for a blender showing my new design;

FIG. 2 is a top, rear, right side perspective view thereof;

FIG. 3 is a bottom, rear, left side perspective view thereof;

FIG. 4 is a right side elevational view thereof;

FIG. 5 is a left side elevational view thereof;

FIG. 6 is a front elevational view thereof;

FIG. 7 is a rear elevational view thereof;

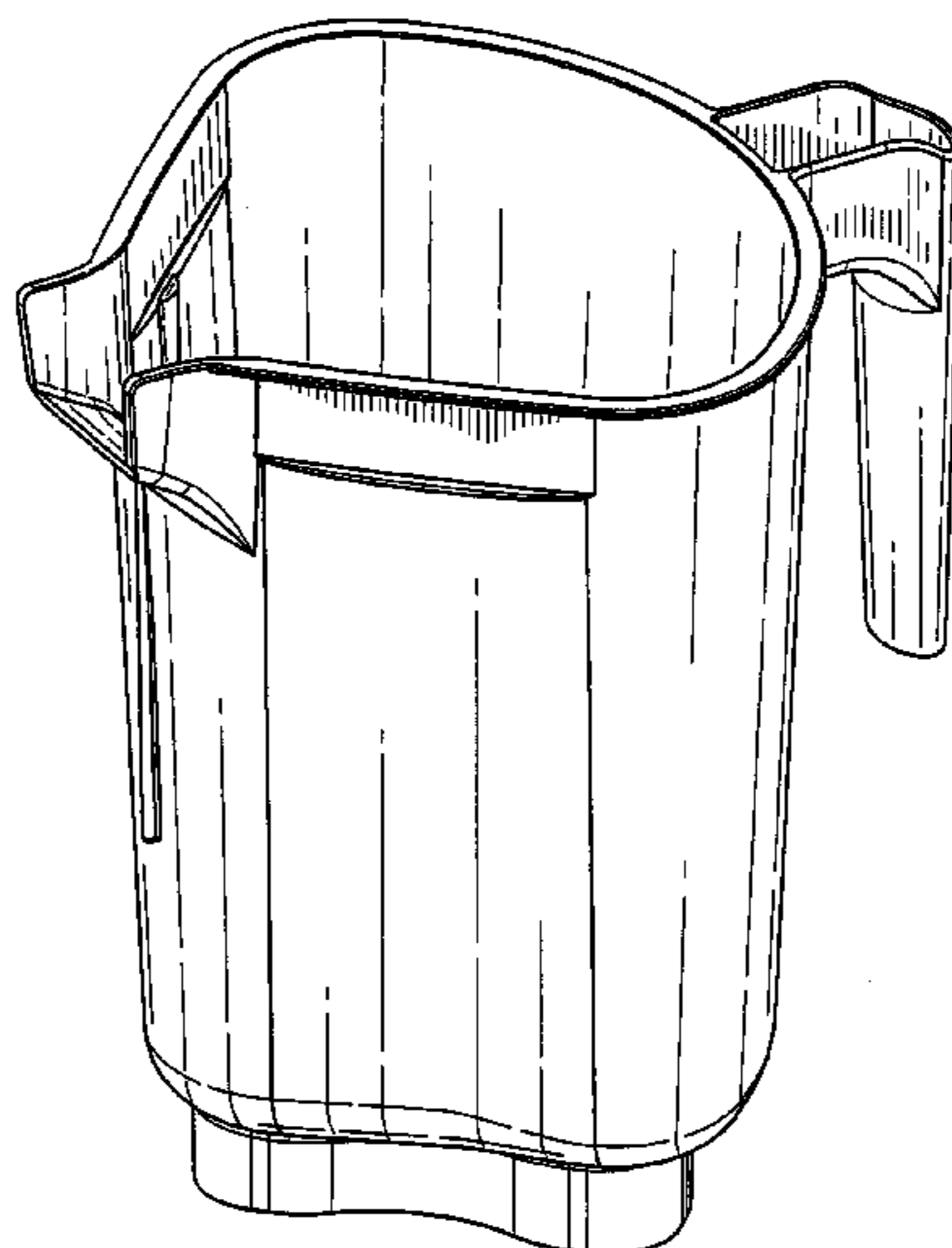
FIG. 8 is a top plan view thereof;

FIG. 9 is a bottom plan view thereof;

FIG. 10 is a cross-sectional view taken along line 10—10 of FIG. 8; and,

FIG. 11 is a cross-sectional view taken along line 11—11 of FIG. 8.

1 Claim, 10 Drawing Sheets



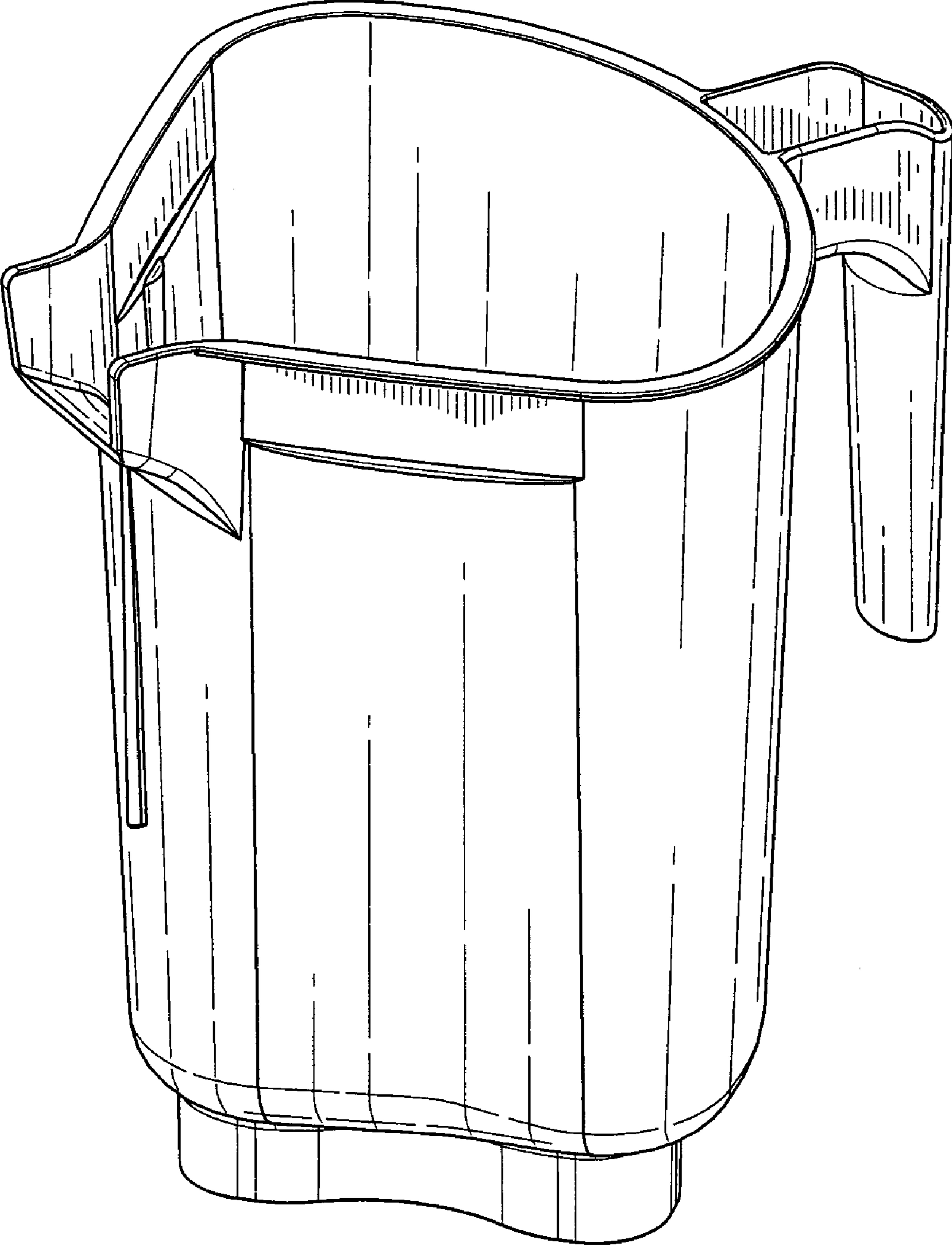


FIG-1

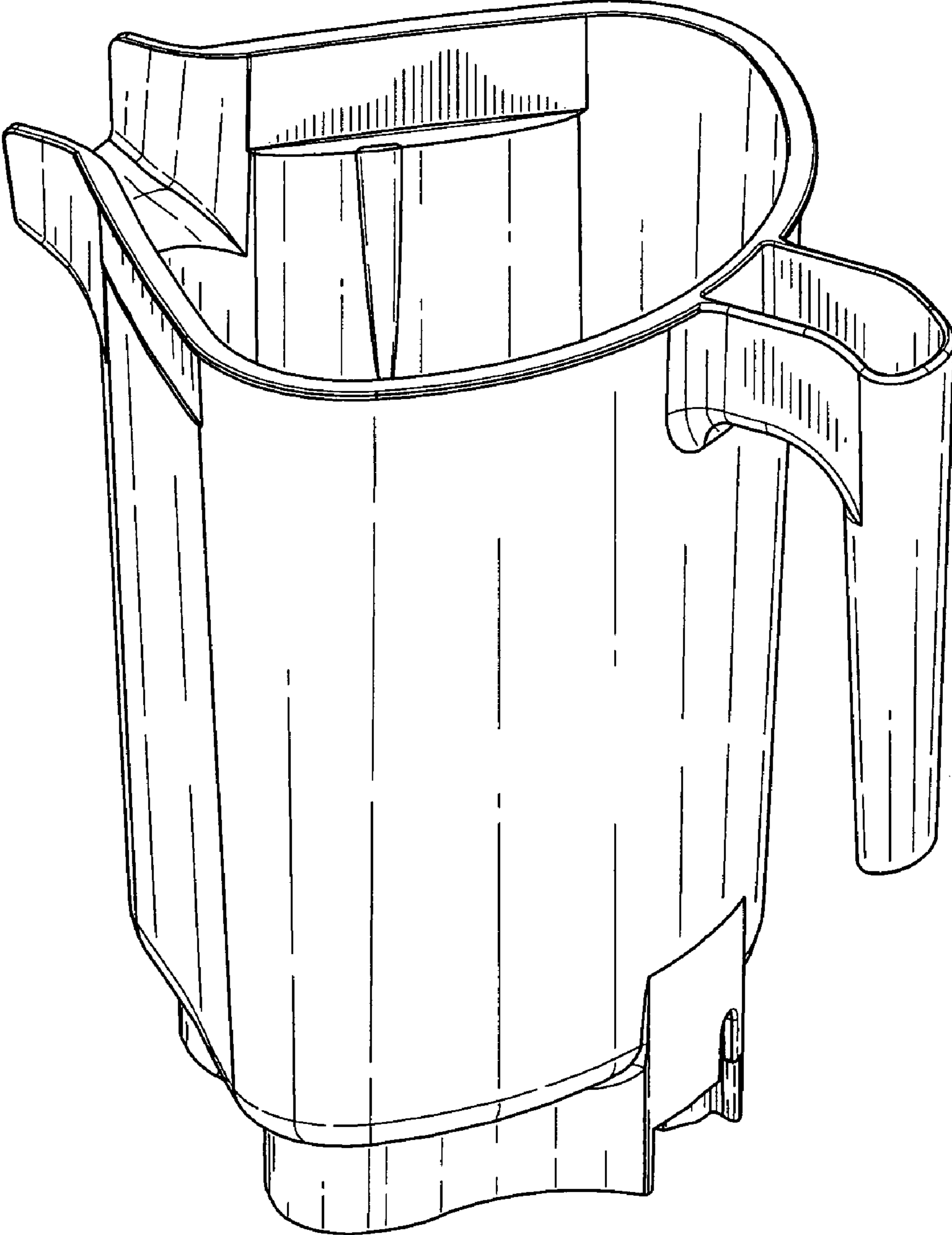


FIG-2

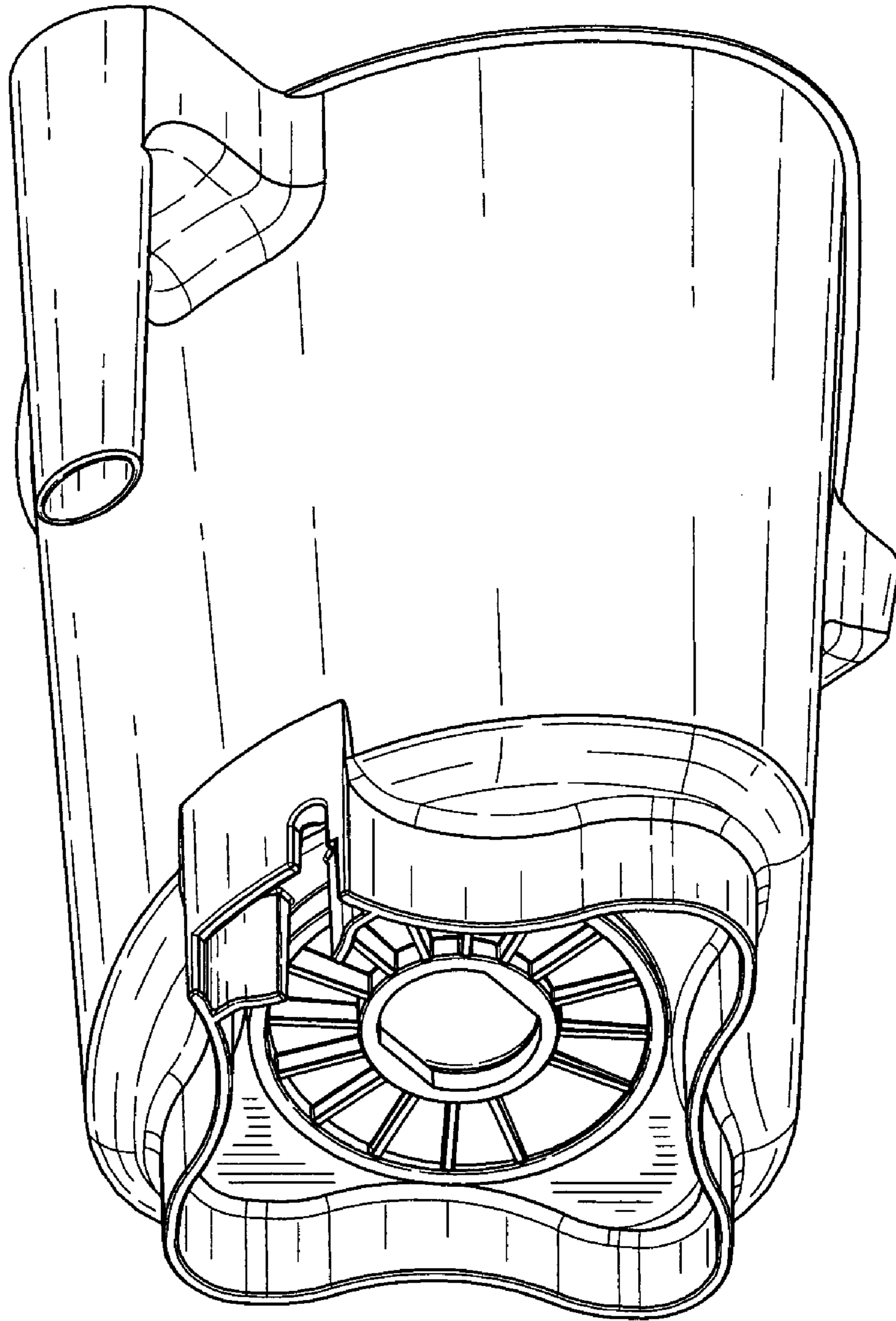


FIG-3

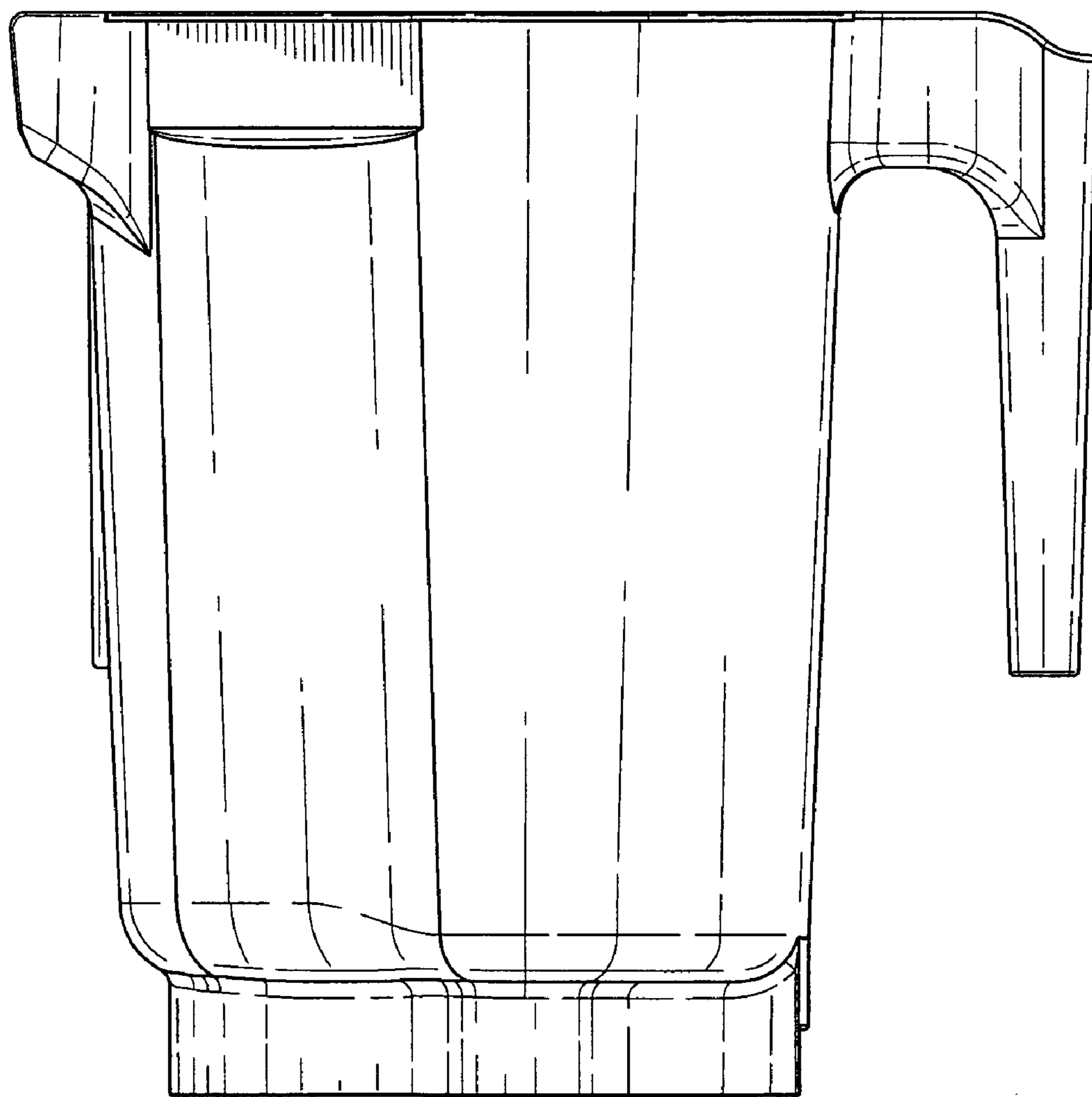


FIG-4

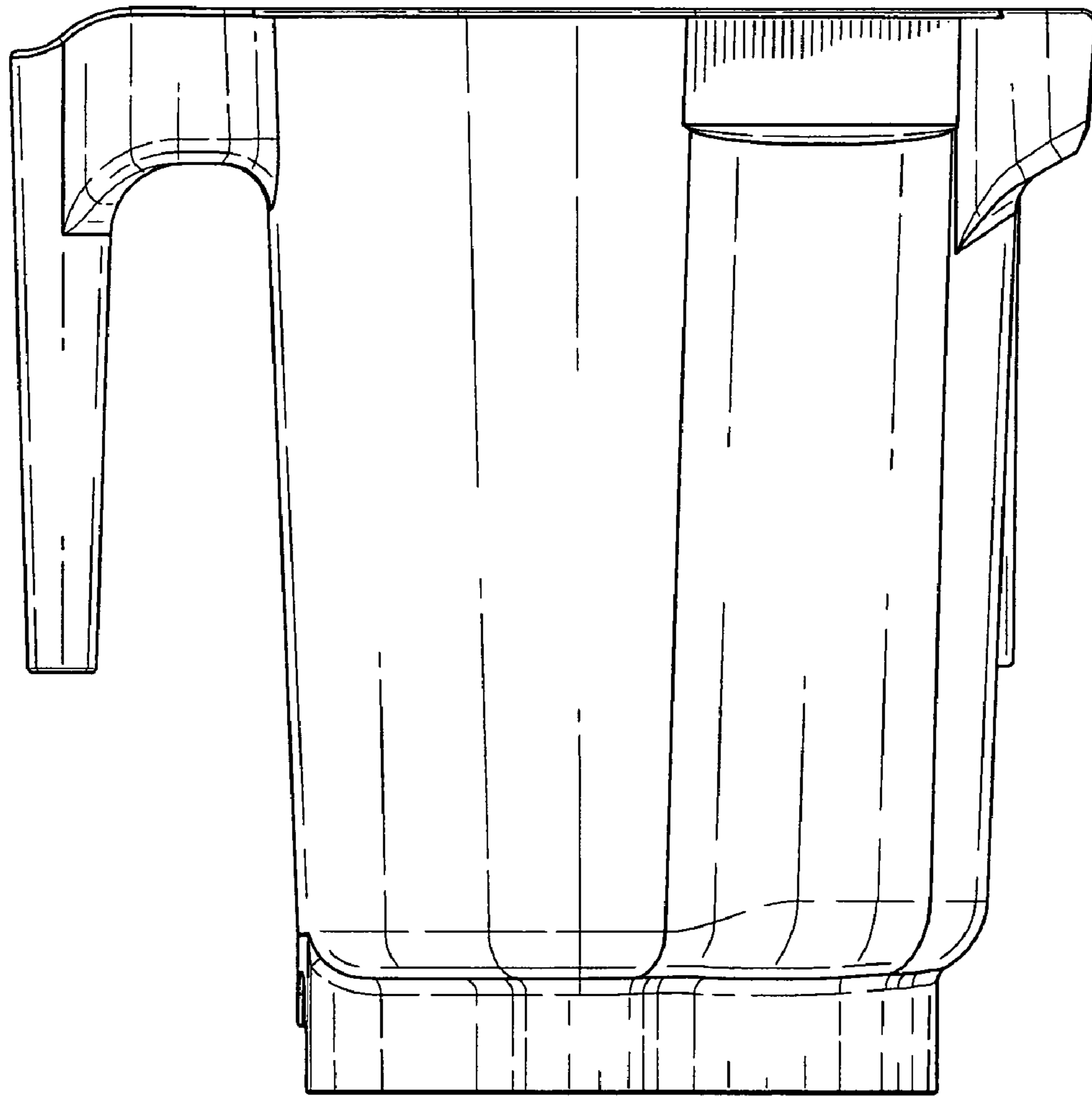


FIG-5

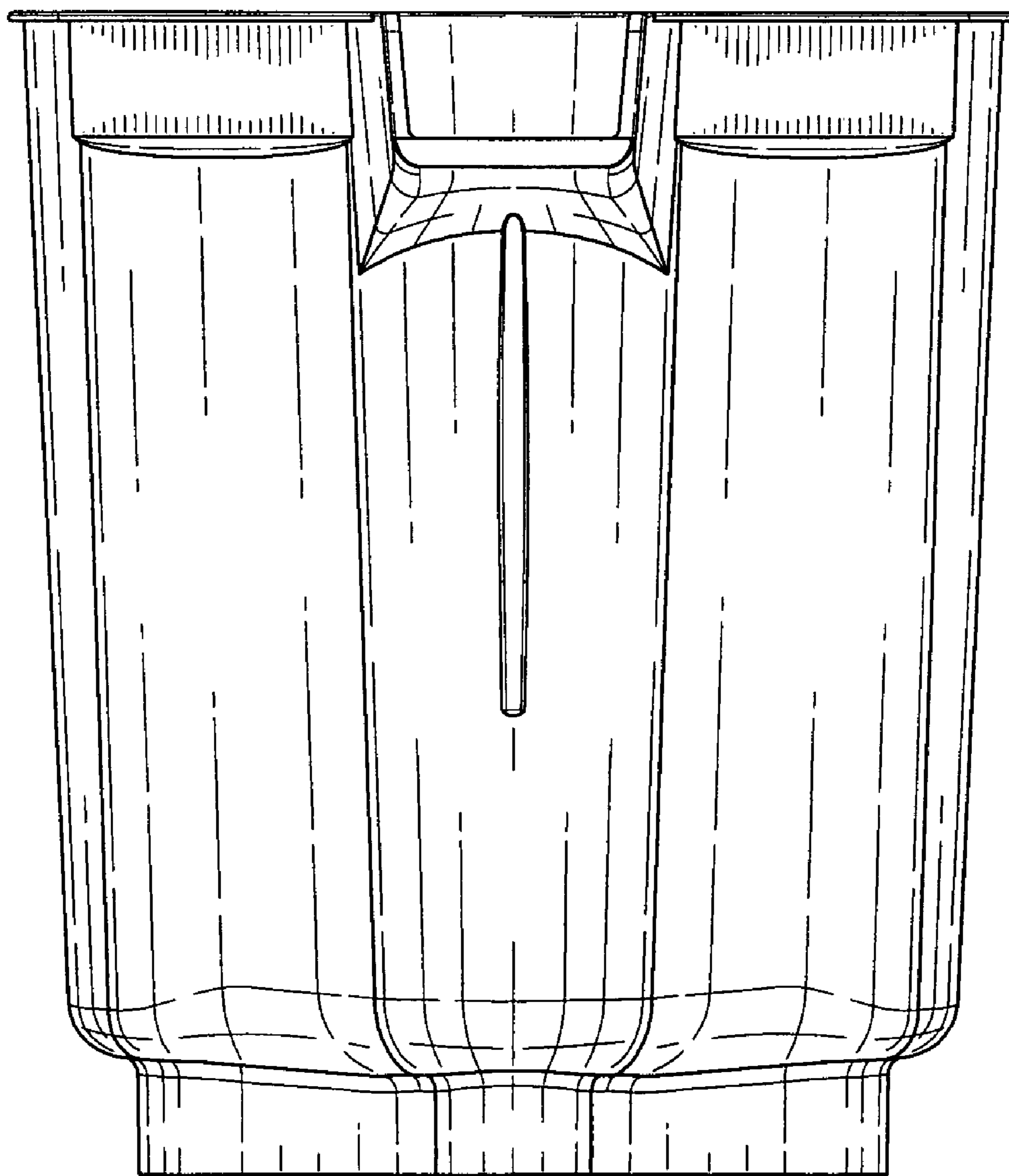


FIG-6

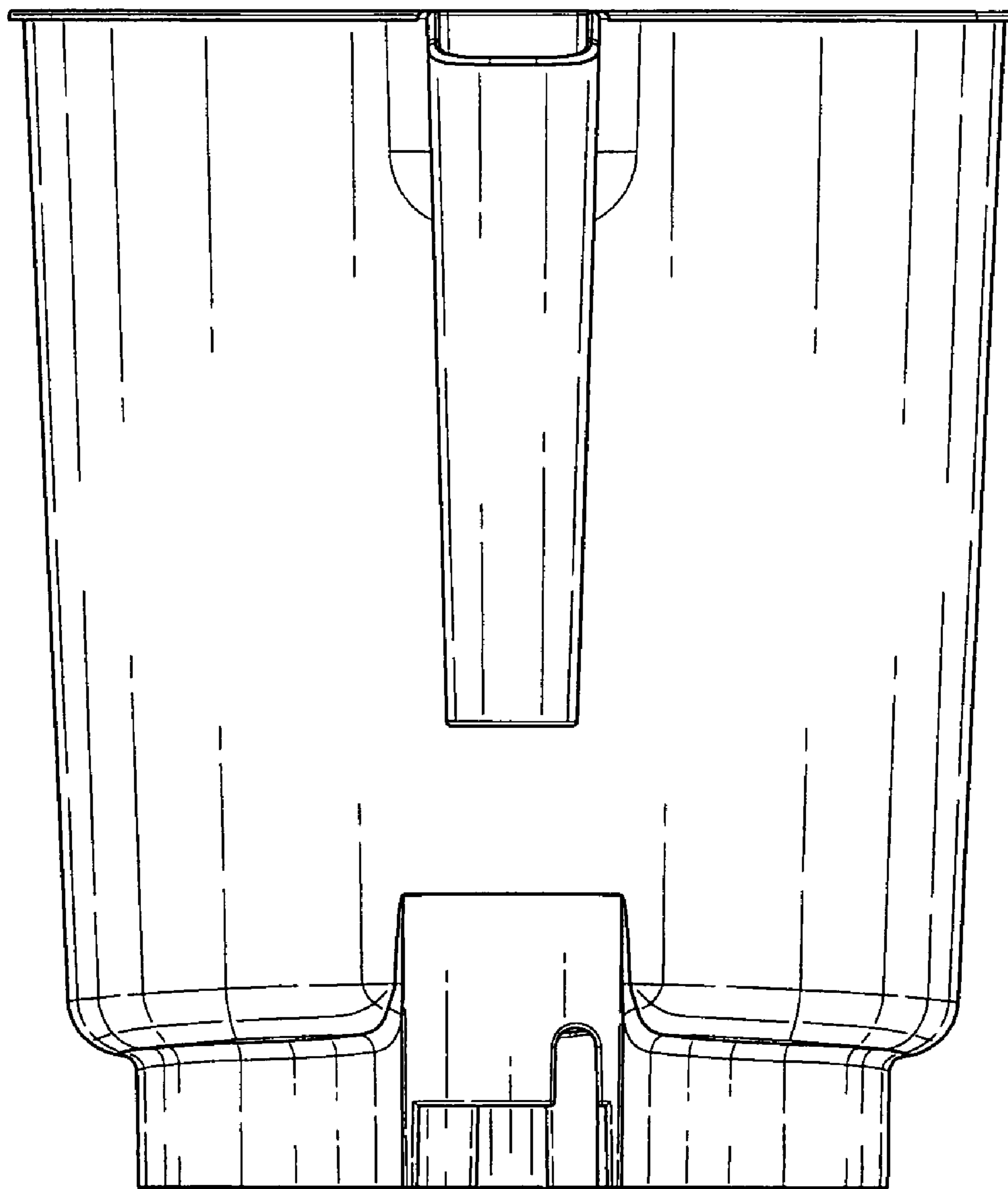


FIG-7

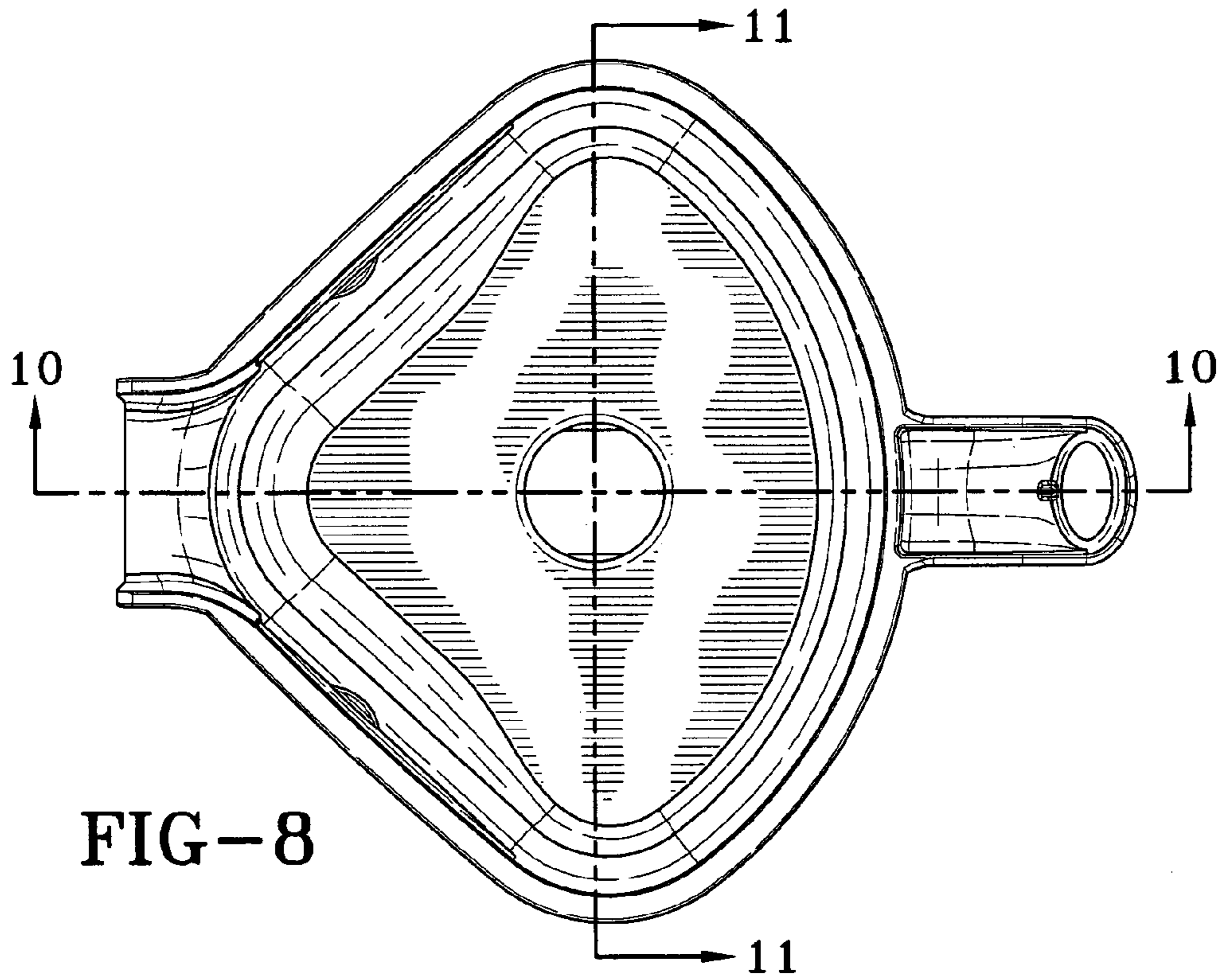


FIG-8

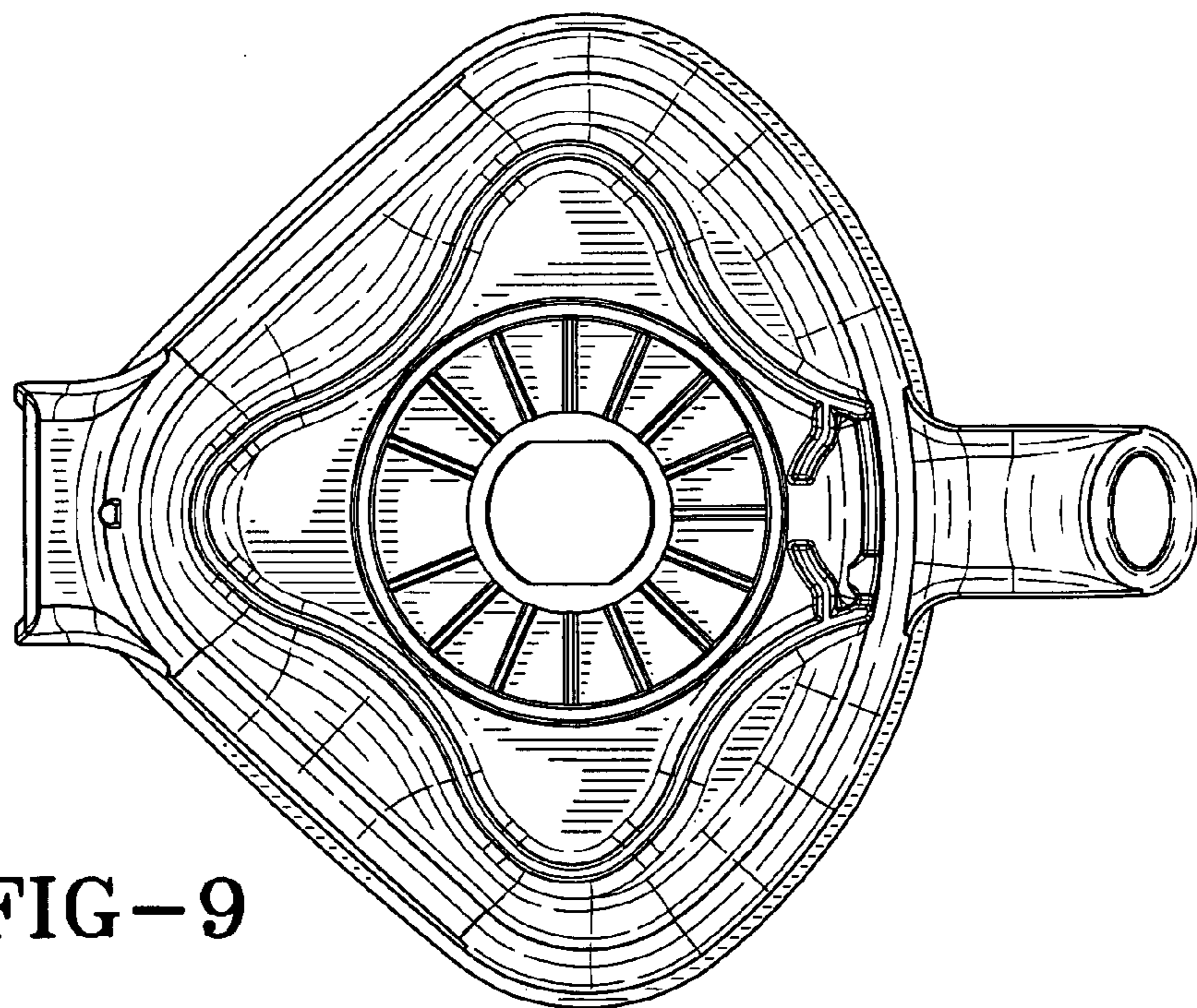


FIG-9

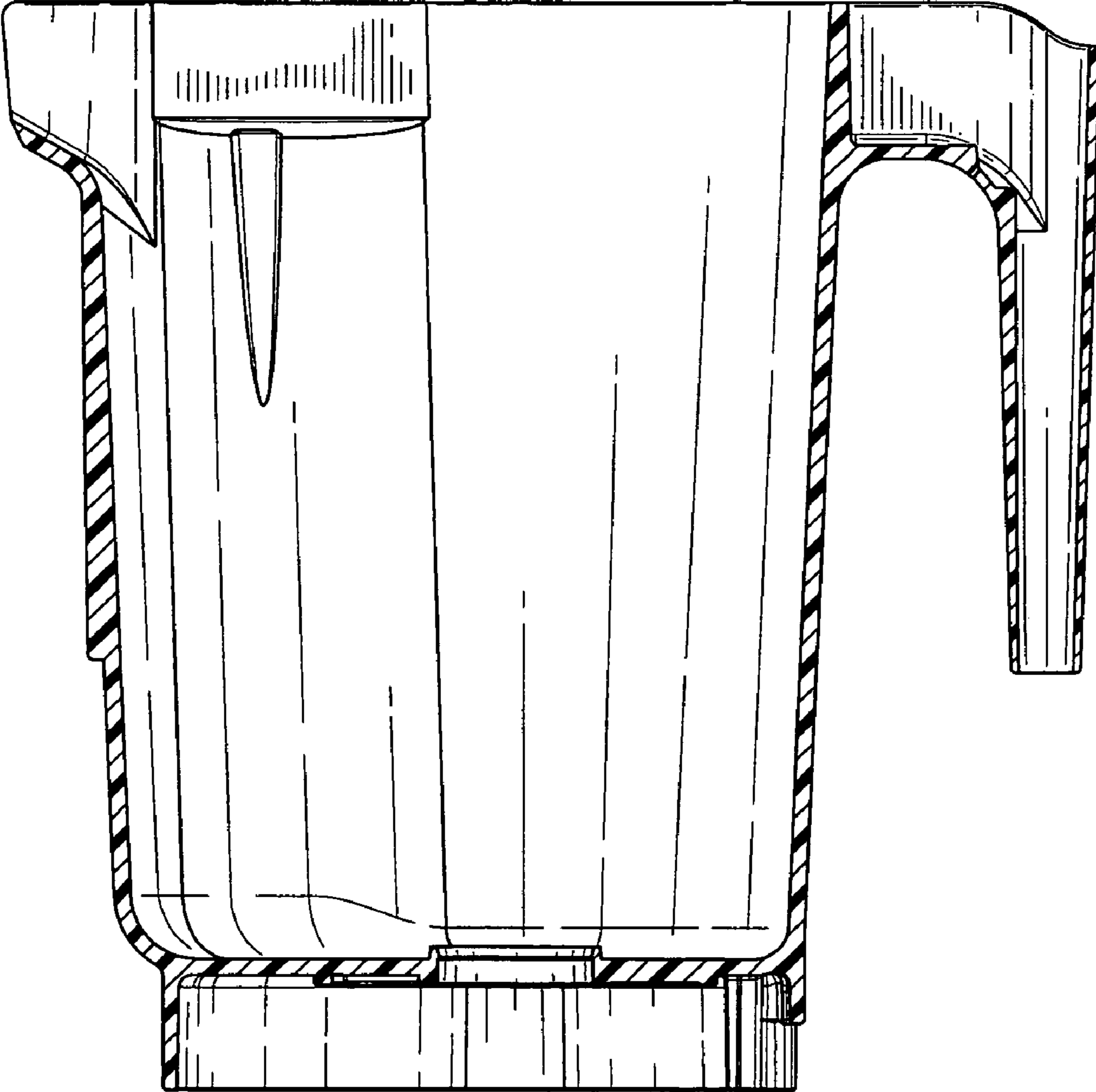


FIG-10

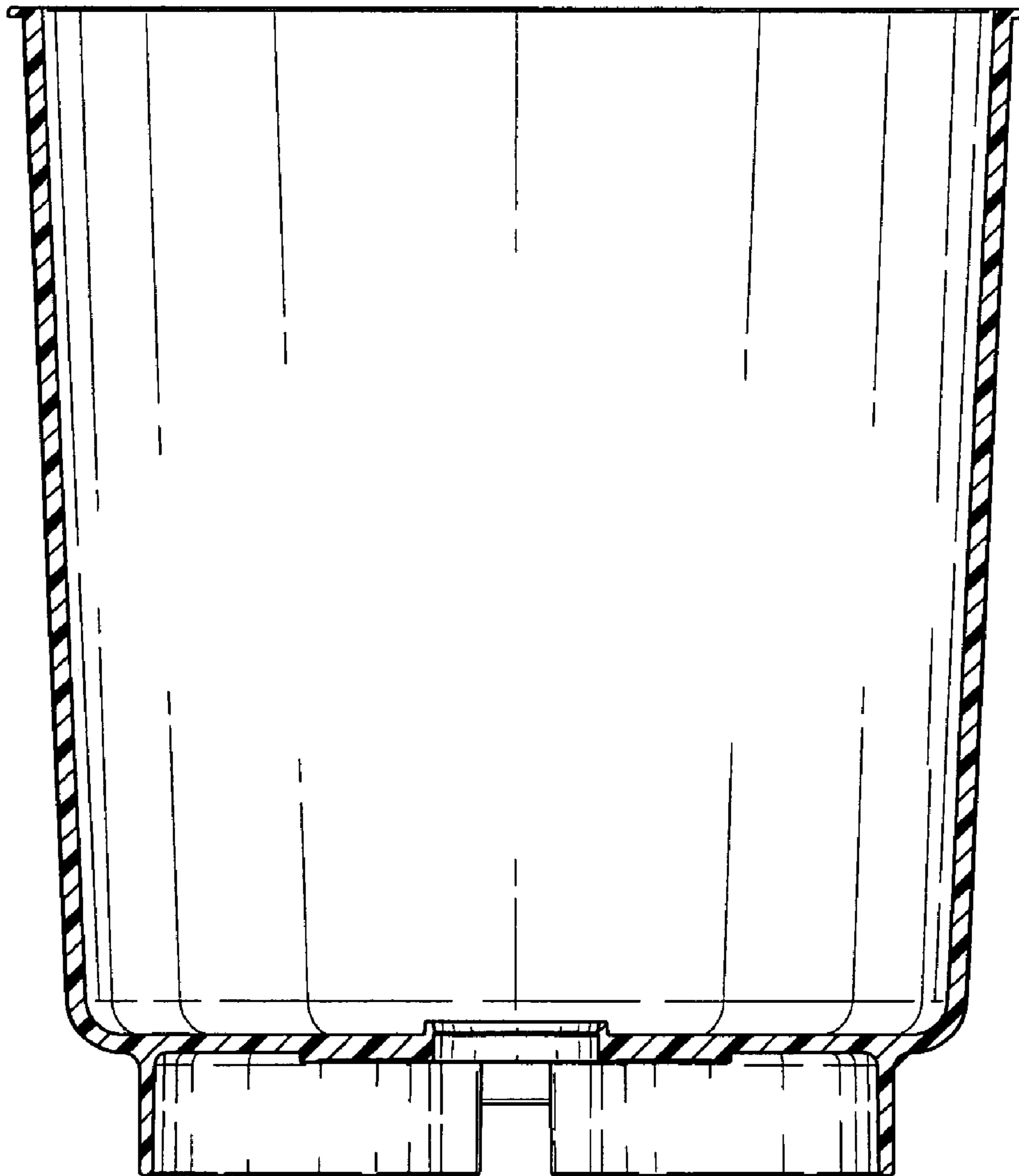


FIG-11