



US00D588404S

(12) **United States Design Patent**  
**Tetreault**

(10) **Patent No.:** **US D588,404 S**  
(45) **Date of Patent:** **\*\* Mar. 17, 2009**

(54) **COOKWARE HANDLE**

(75) Inventor: **Joel Tetreault**, Haskins, OH (US)

(73) Assignee: **Calphalon Corporation**, Atlanta, GA (US)

(\*\*) Term: **14 Years**

(21) Appl. No.: **29/319,837**

(22) Filed: **Jun. 16, 2008**

(51) **LOC (9) Cl.** ..... **07-02**

(52) **U.S. Cl.** ..... **D7/394**

(58) **Field of Classification Search** ..... D7/354-361,  
D7/393-395; D8/107, 300, 301, 307, 315,  
D8/317, 319; 16/430, 431, 110.1, 407, 441,  
16/443; 220/573.1-573.5, 752, 753, 755,  
220/756, 912

See application file for complete search history.

(56) **References Cited**

U.S. PATENT DOCUMENTS

D403,230 S *	12/1998	Ziemer et al. ....	D8/317
D467,785 S *	12/2002	Tsai .....	D8/320
D480,911 S *	10/2003	Logiudice et al. ....	D7/394
D482,233 S *	11/2003	Rae .....	D7/393
D493,061 S *	7/2004	Rae .....	D7/394
D494,808 S *	8/2004	Thomkins .....	D7/394
D503,307 S *	3/2005	Thomkins .....	D7/394
D527,982 S *	9/2006	Brasset .....	D8/317
D537,294 S *	2/2007	Levy et al. ....	D7/393
D551,497 S *	9/2007	Rae .....	D7/394
D563,722 S *	3/2008	Thurlow et al. ....	D7/394
D564,857 S *	3/2008	Lee .....	D8/316

\* cited by examiner

*Primary Examiner*—Holly H Baynham

*Assistant Examiner*—Cynthia M Chin

(74) *Attorney, Agent, or Firm*—Gardner Groff Greenwald & Villanueva, PC

(57) **CLAIM**

The ornamental design for a cookware handle, as shown and described.

**DESCRIPTION**

FIG. 1 is a perspective view of a cookware handle shown attached to a pot according to an exemplary embodiment of the present invention;

FIG. 2 is a front elevation view of the cookware handle of FIG. 1;

FIG. 3 is a rear elevation view of the cookware handle of FIG. 1;

FIG. 4 is a left side elevation view of the cookware handle of FIG. 1;

FIG. 5 is a right side elevation view of the cookware handle of FIG. 1;

FIG. 6 is a top plan view of the cookware handle of FIG. 1;

FIG. 7 is a bottom plan view of the cookware handle of FIG. 1;

FIG. 8 is a perspective view of a cookware handle according to a modified form of the present invention;

FIG. 9 is a front elevation view of the cookware handle of FIG. 8;

FIG. 10 is a left side elevation view of the cookware handle of FIG. 8;

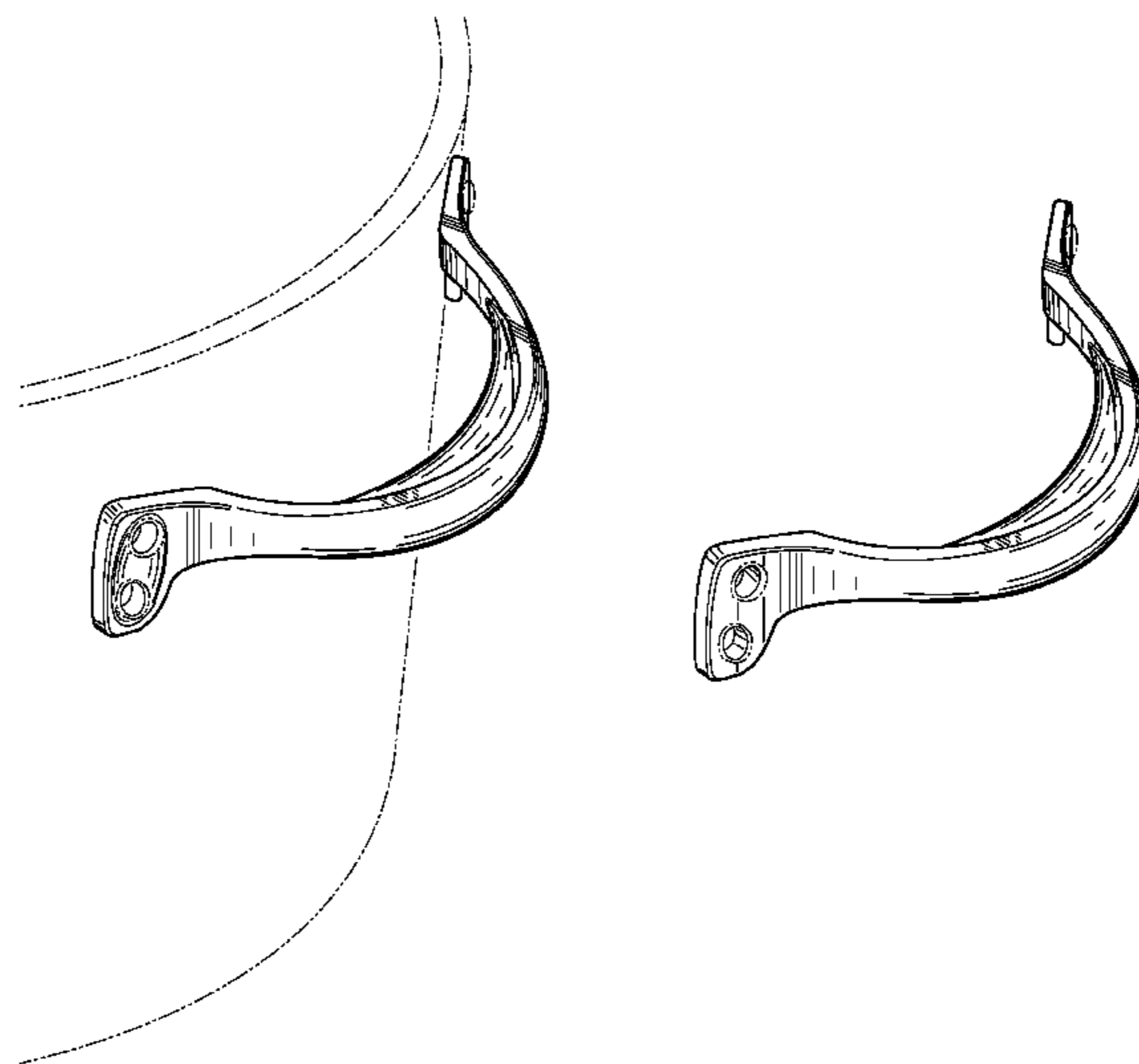
FIG. 11 is right side elevation view of the cookware handle of FIG. 8;

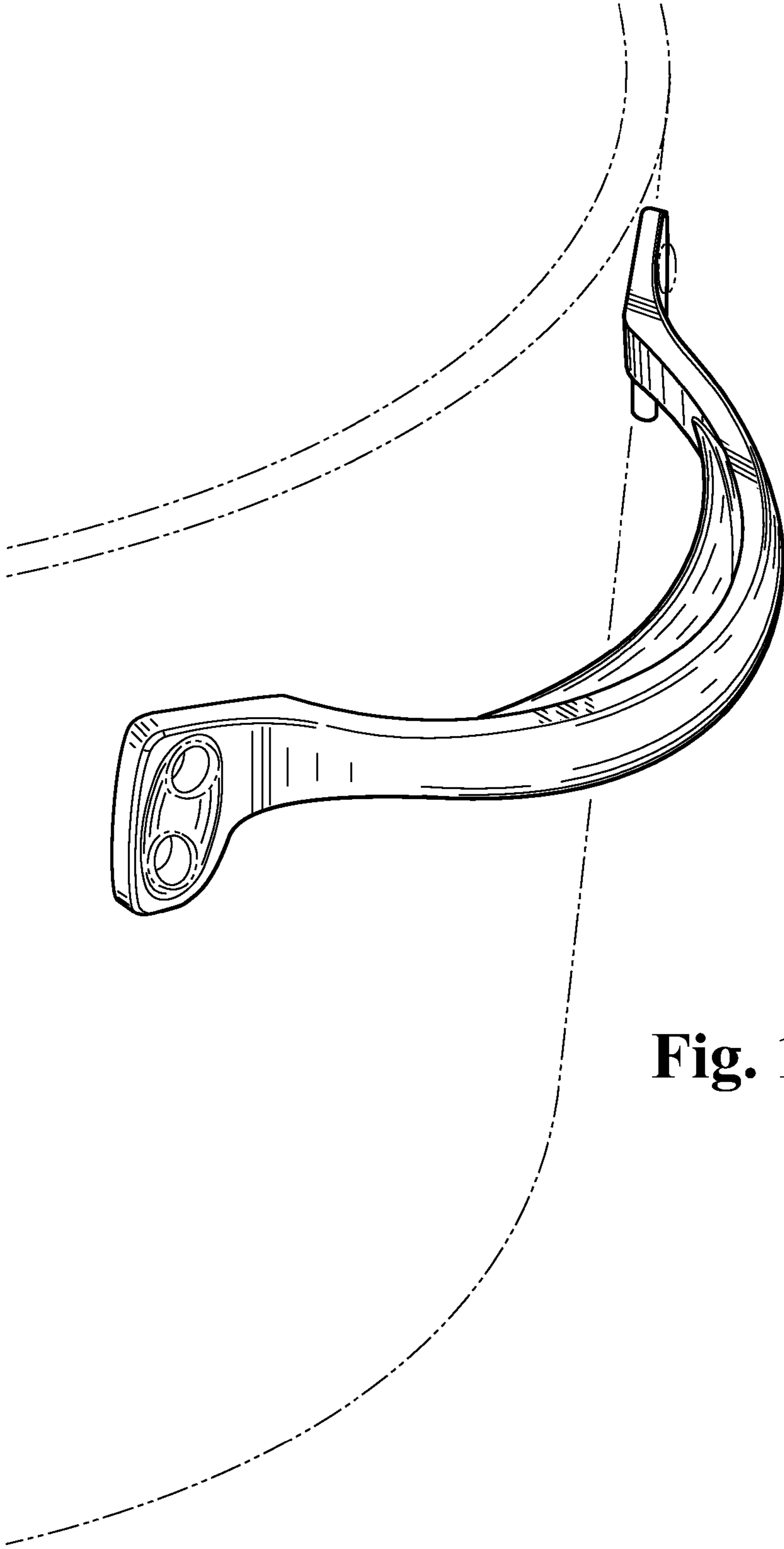
FIG. 12 is a top plan view of the cookware handle of FIG. 8; and,

FIG. 13 is a bottom plan view of the cookware handle of FIG. 8, with the rear view being the same as FIG. 3.

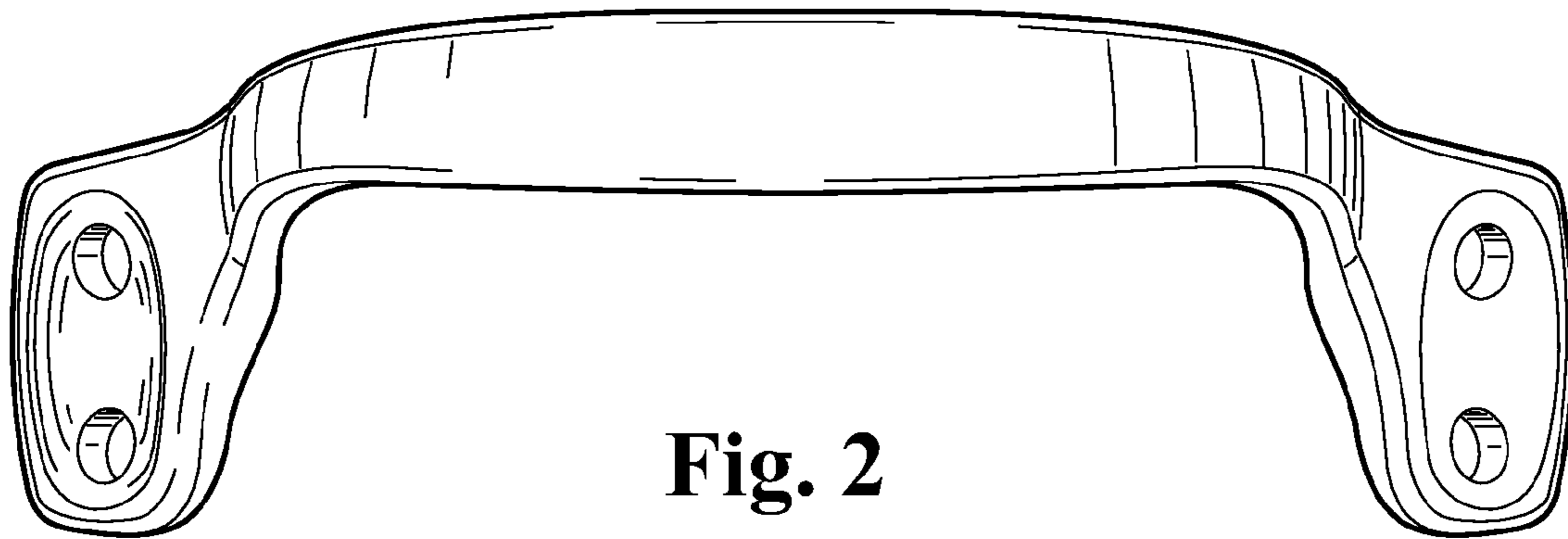
The broken lines are for illustrative purposes only and form no part of the claimed design.

**1 Claim, 6 Drawing Sheets**

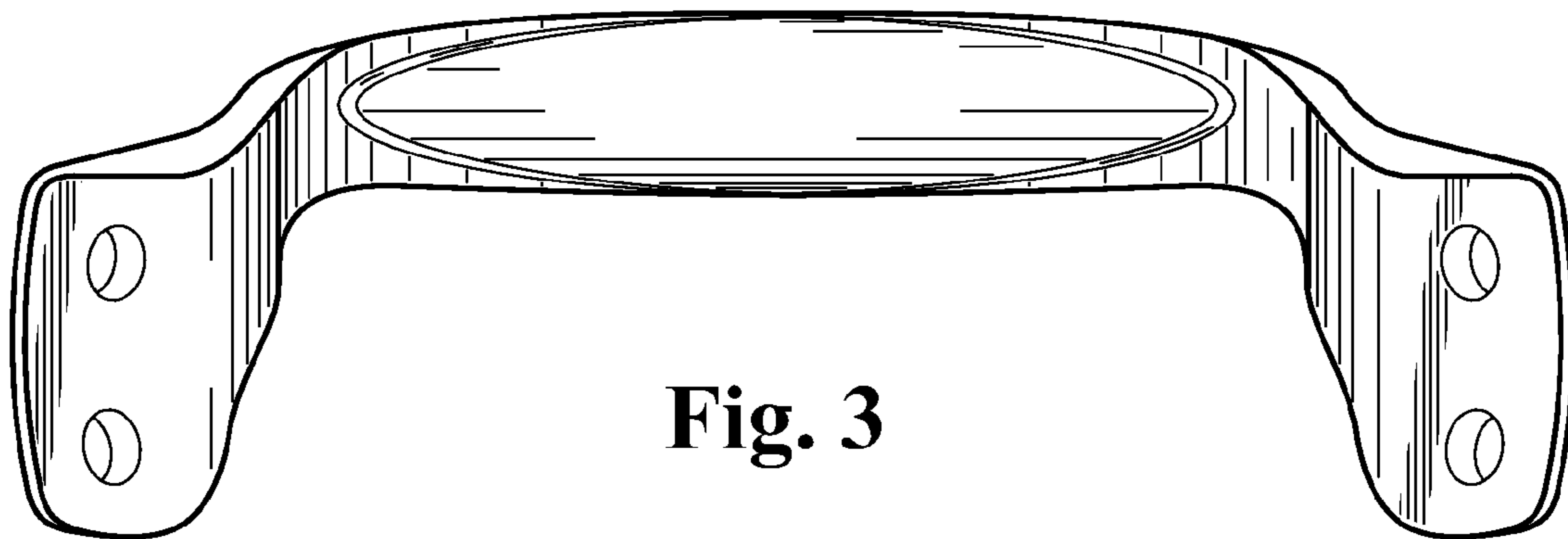




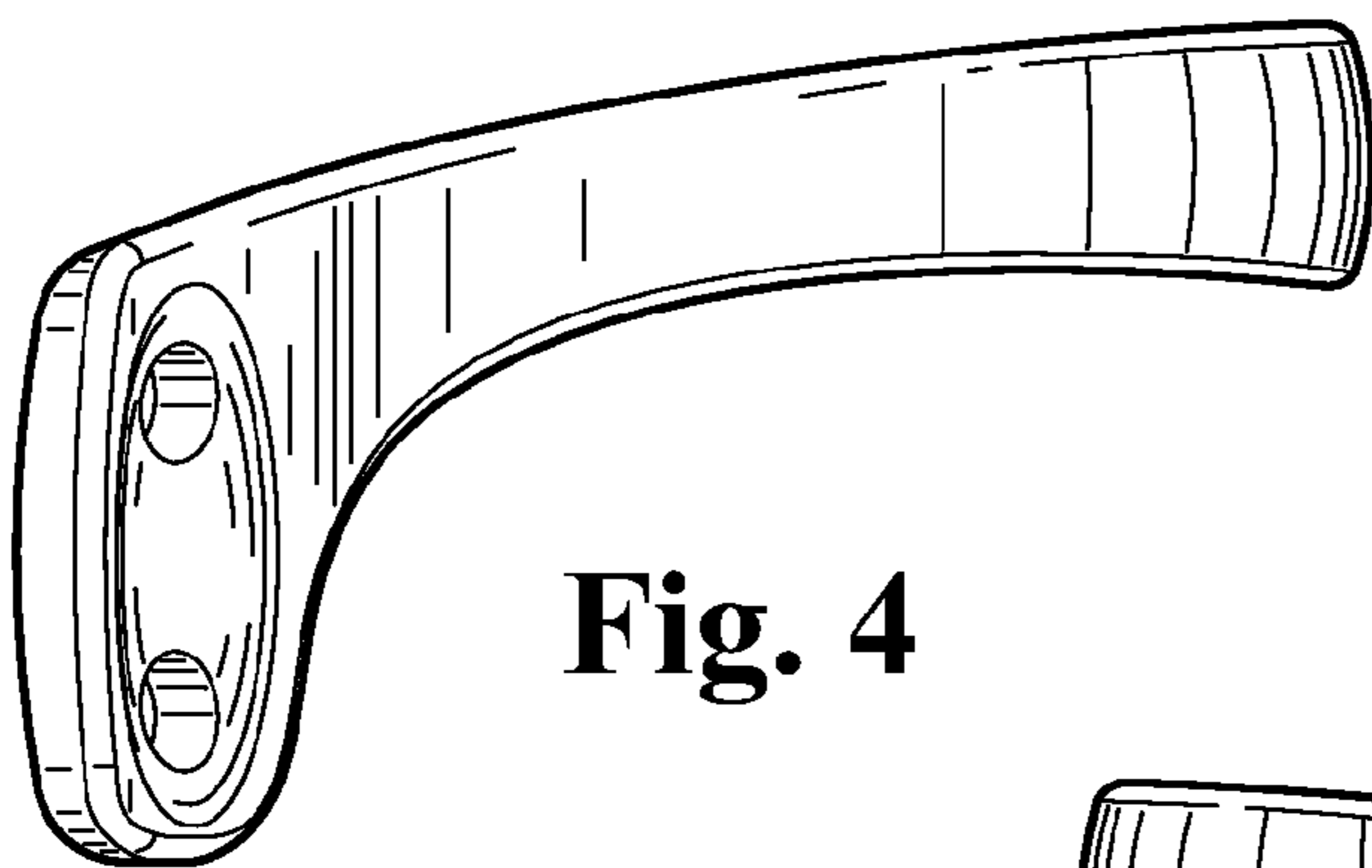
**Fig. 1**



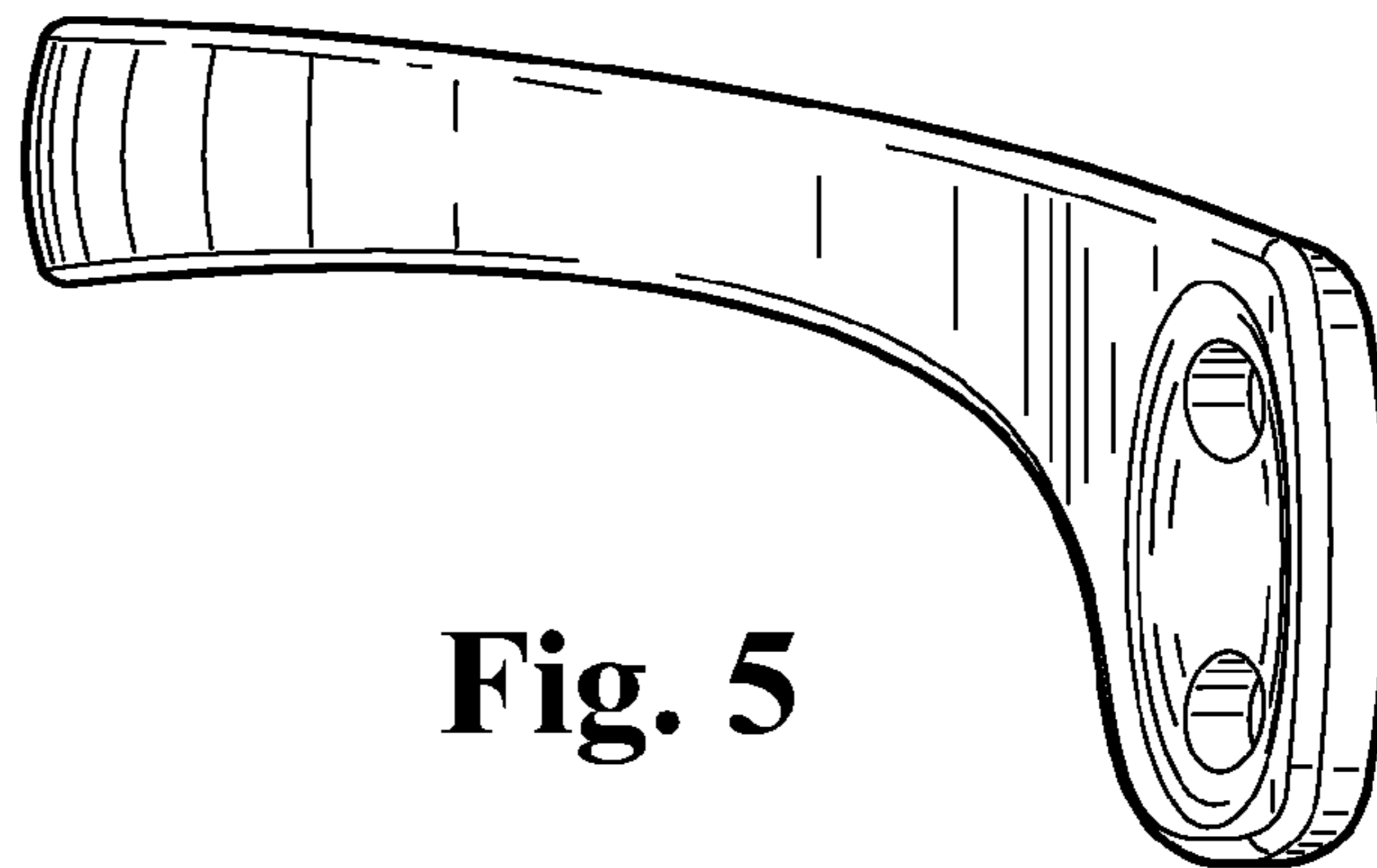
**Fig. 2**



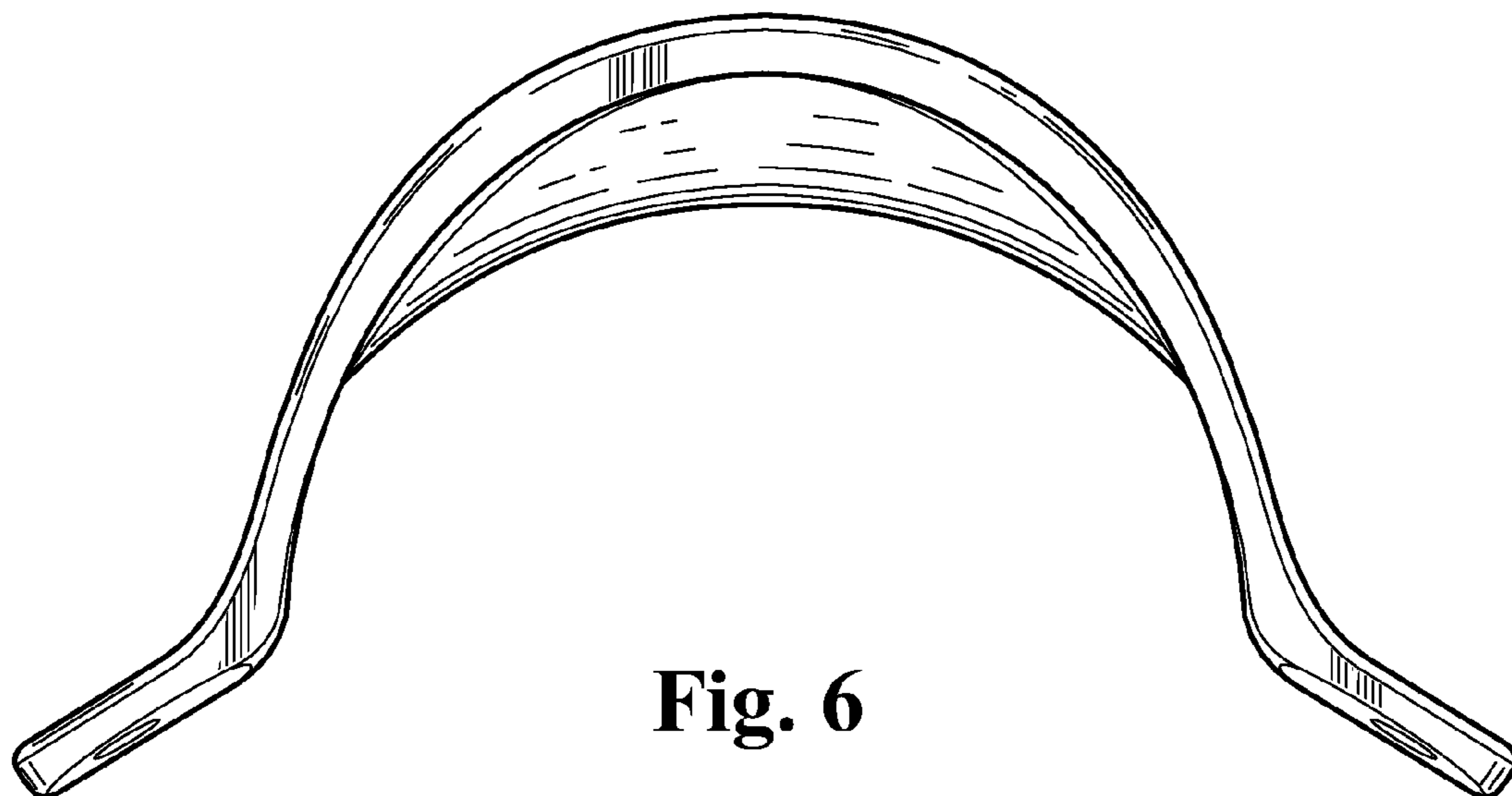
**Fig. 3**



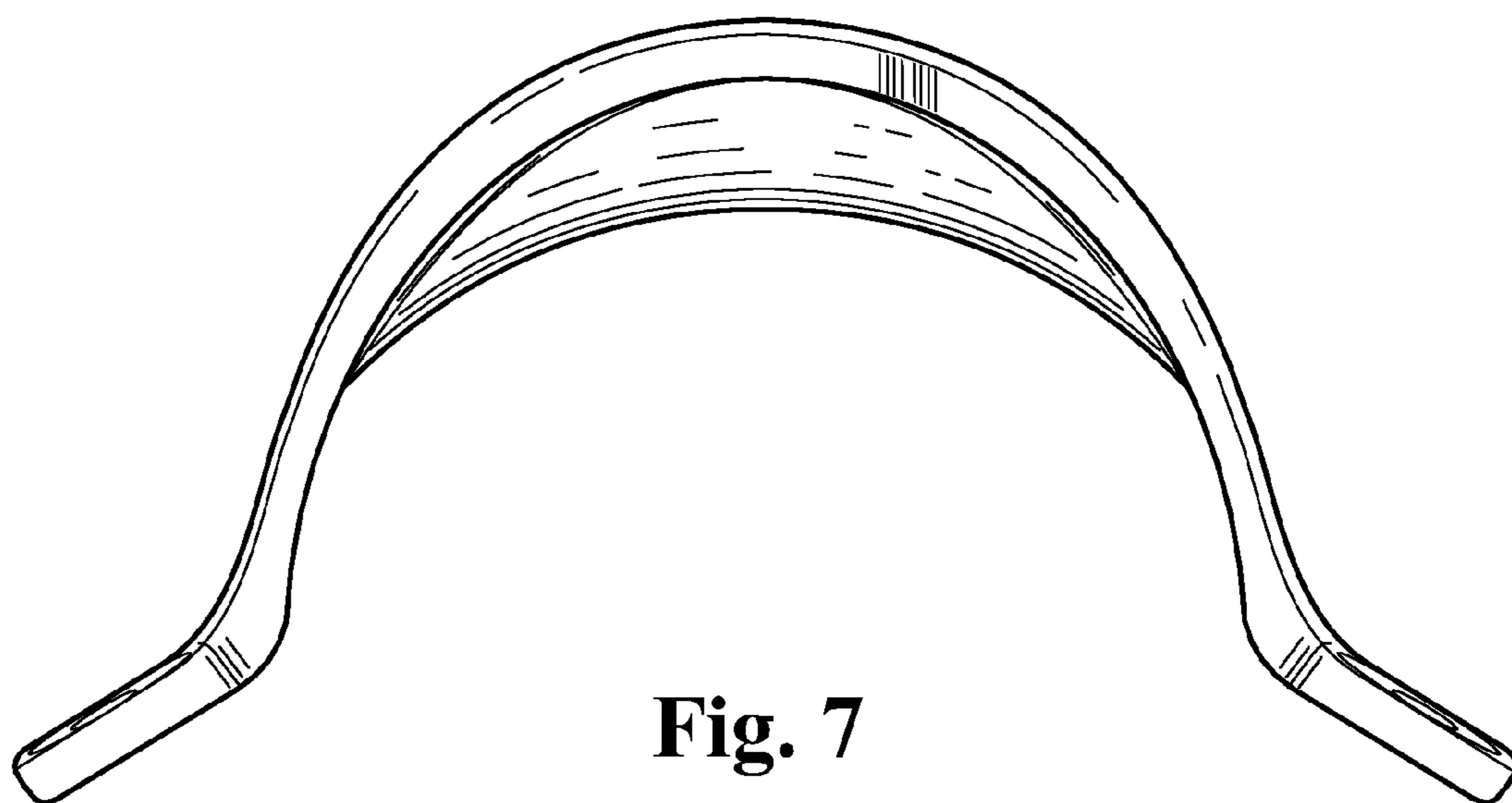
**Fig. 4**



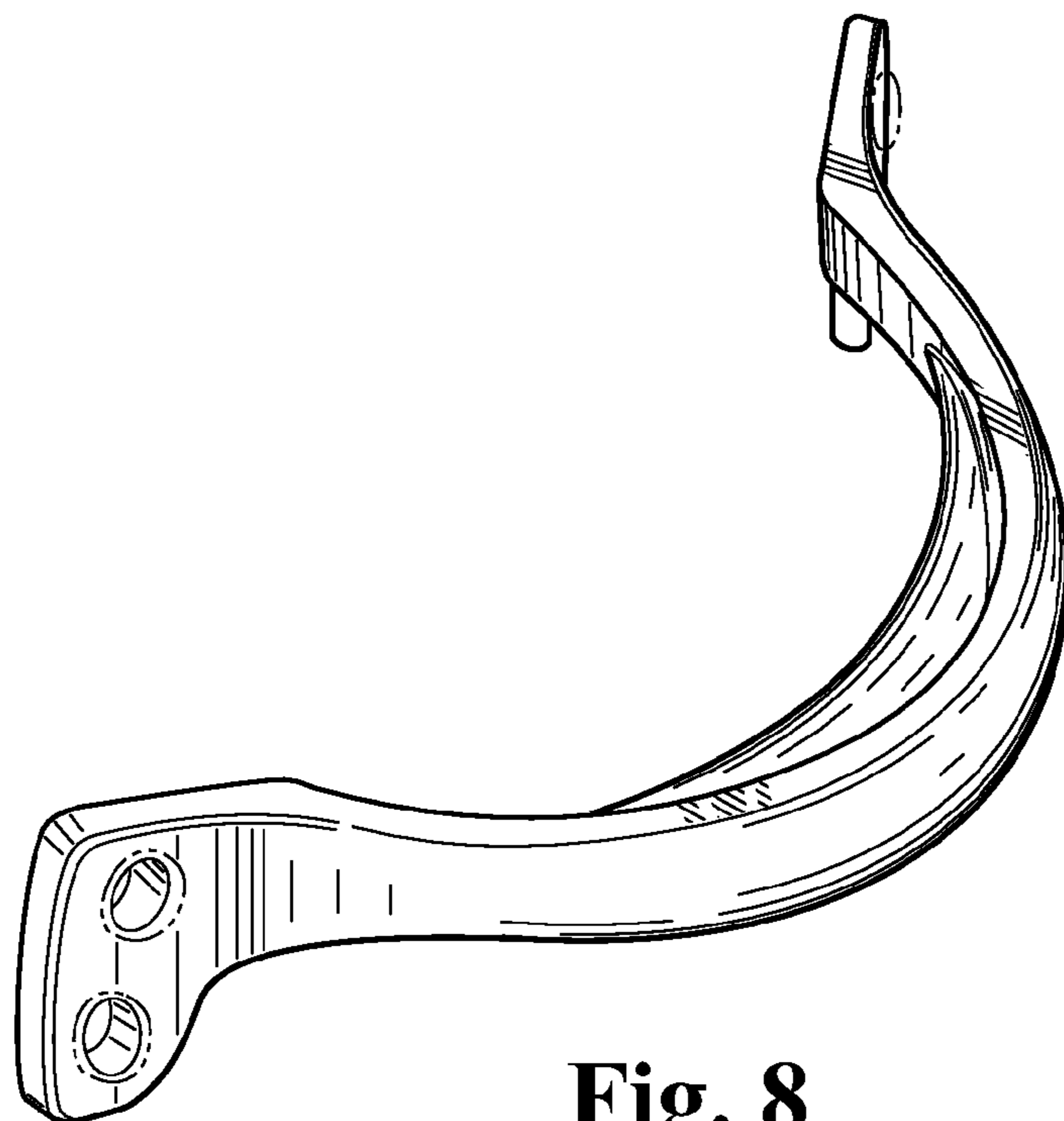
**Fig. 5**



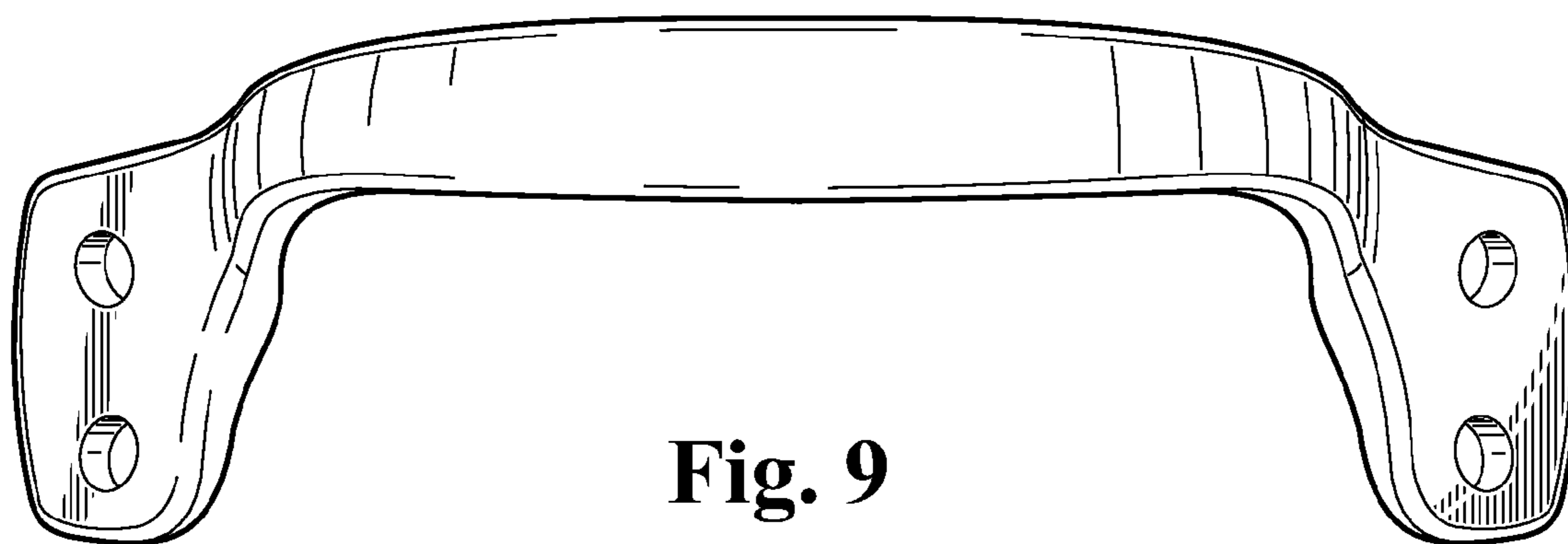
**Fig. 6**



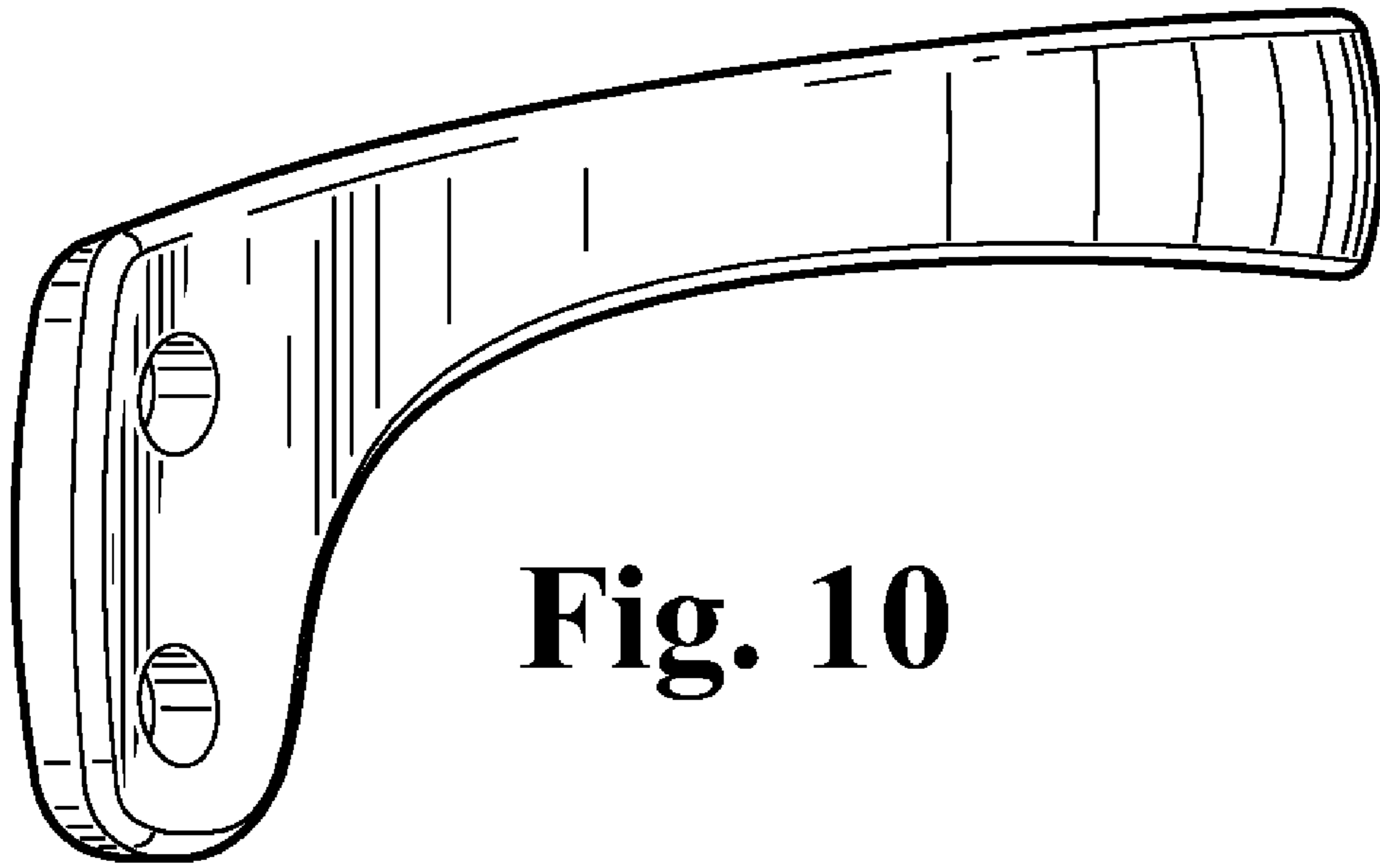
**Fig. 7**



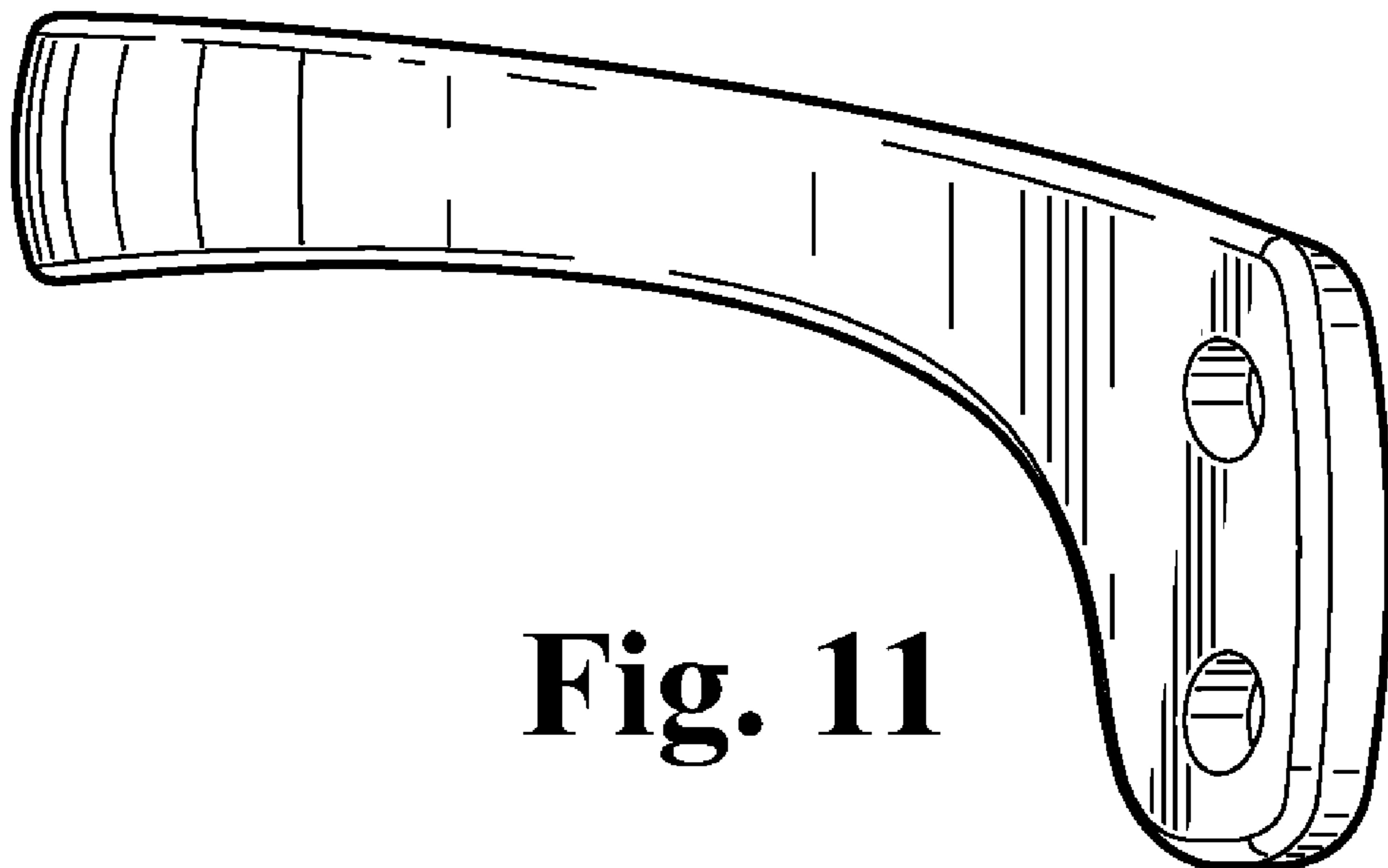
**Fig. 8**



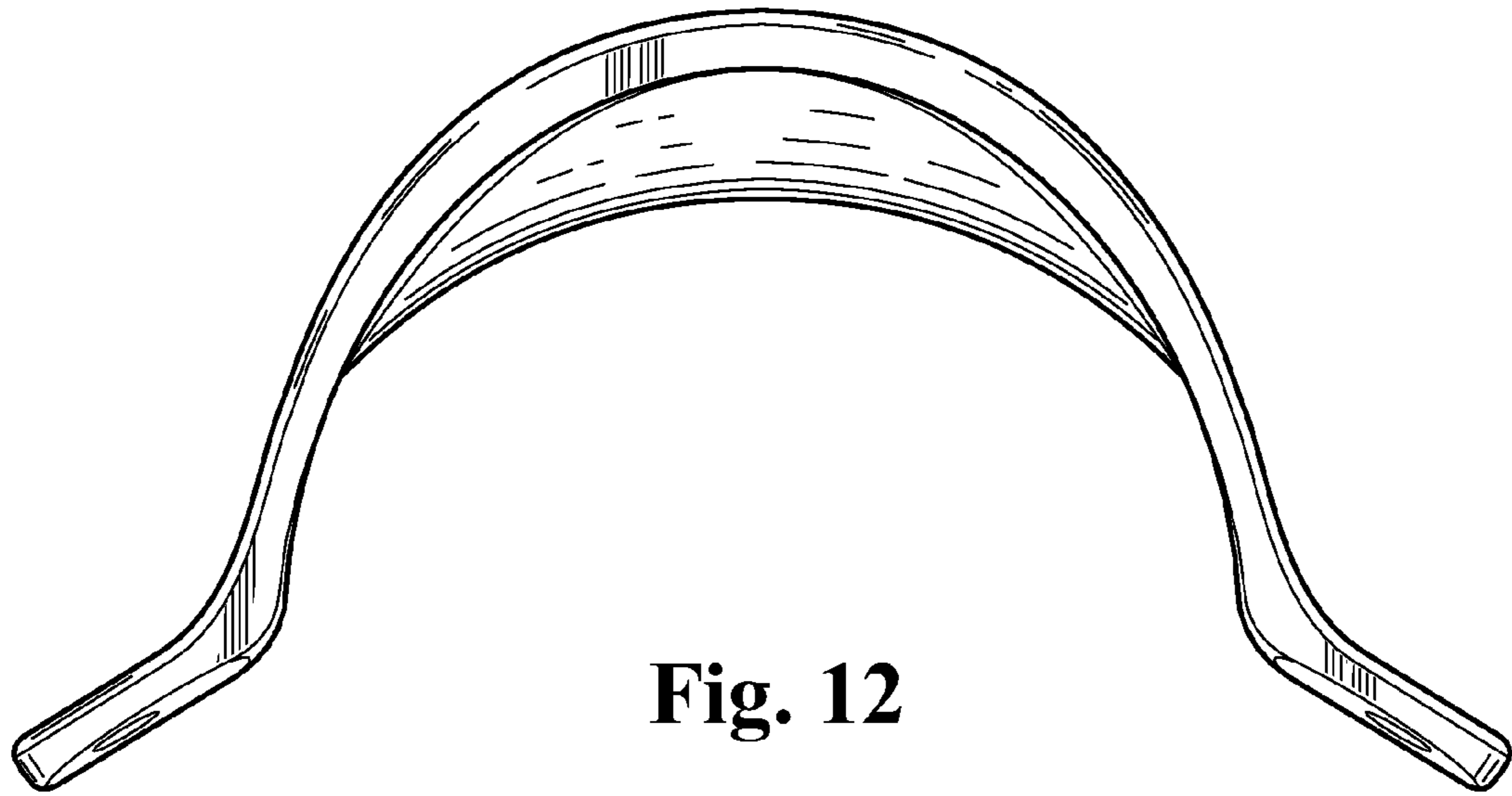
**Fig. 9**



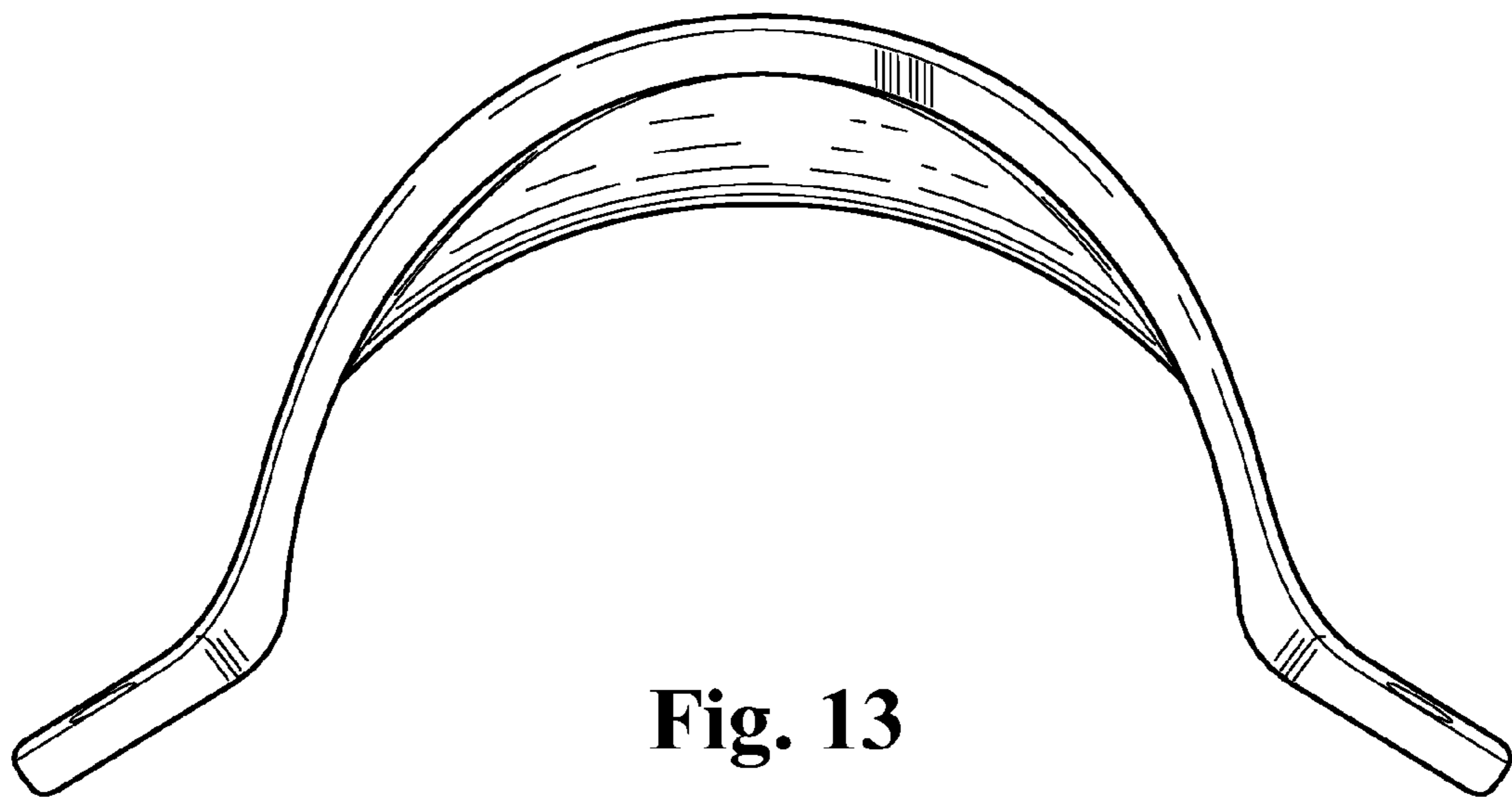
**Fig. 10**



**Fig. 11**



**Fig. 12**



**Fig. 13**