



US00D588400S

(12) **United States Design Patent**
Sands

(10) **Patent No.:** **US D588,400 S**
(45) **Date of Patent:** **** Mar. 17, 2009**

- (54) **BLENDER**
- (75) Inventor: **Lenny Sands**, Sherman Oaks, CA (US)
- (73) Assignee: **Bullet Express, LLC**, Sherman Oaks, CA (US)
- (**) Term: **14 Years**
- (21) Appl. No.: **29/312,532**
- (22) Filed: **Oct. 28, 2008**
- (51) **LOC (9) Cl.** **31-00**
- (52) **U.S. Cl.** **D7/378**
- (58) **Field of Classification Search** D7/317-318, D7/356, 376-386, 392, 412-415, 665; 99/348, 99/509-512; 241/30-37.5, 92, 101.01-101.2, 241/274-278.2, 281.1-281.2, 285.1-285.3, 241/291, 292.1; 366/64-67, 98, 192, 197-211, 366/205-206, 241-254, 279-292, 341-343
See application file for complete search history.

5,979,806 A	11/1999	Borger et al.	
6,050,180 A *	4/2000	Moline	99/511
6,112,649 A	9/2000	Jeong	
6,189,441 B1	2/2001	Beaudet et al.	
6,299,085 B1	10/2001	Ekstrom	
6,481,342 B2	11/2002	Thackray	
6,536,335 B1	3/2003	Ashworth	
6,598,518 B2	7/2003	Wong	
6,609,821 B2	8/2003	Wulf et al.	
6,814,323 B2 *	11/2004	Starr et al.	241/282.2
6,832,543 B2	12/2004	Siano et al.	
7,066,640 B2	6/2006	Sands	
D537,303 S *	2/2007	Stuckey	D7/665
7,213,965 B2	5/2007	Daniels, Jr.	
D560,963 S	2/2008	Alzheimer et al.	
2003/0226923 A1 *	12/2003	Starr et al.	241/282.1
2007/0107609 A1	5/2007	Barker et al.	

* cited by examiner

Primary Examiner—Caron Veynar
Assistant Examiner—Ricky Pham
(74) *Attorney, Agent, or Firm*—Cislo & Thomas, LLP

(56) **References Cited**

U.S. PATENT DOCUMENTS

D183,542 S *	9/1958	Posener	D7/665
3,032,087 A *	5/1962	Rodwick	241/92
4,688,478 A	8/1987	Williams	
4,716,823 A *	1/1988	Capdevila	99/510
4,744,522 A	5/1988	Borgmann et al.	
D298,204 S *	10/1988	Mikami	D7/384
D320,717 S	10/1991	O'Brien	
5,071,077 A	12/1991	Arroubi et al.	
D325,322 S *	4/1992	Maass	D7/384
D335,065 S *	4/1993	Gildersleeve	D7/384
5,222,430 A *	6/1993	Wang	99/512
D341,522 S *	11/1993	Lamson et al.	D7/665
5,405,096 A	4/1995	Seol	
5,460,082 A	10/1995	Kooyker et al.	
5,524,530 A	6/1996	Nijzingh et al.	
5,592,872 A	1/1997	Kooyker et al.	
5,875,706 A	3/1999	Borger et al.	

(57) **CLAIM**

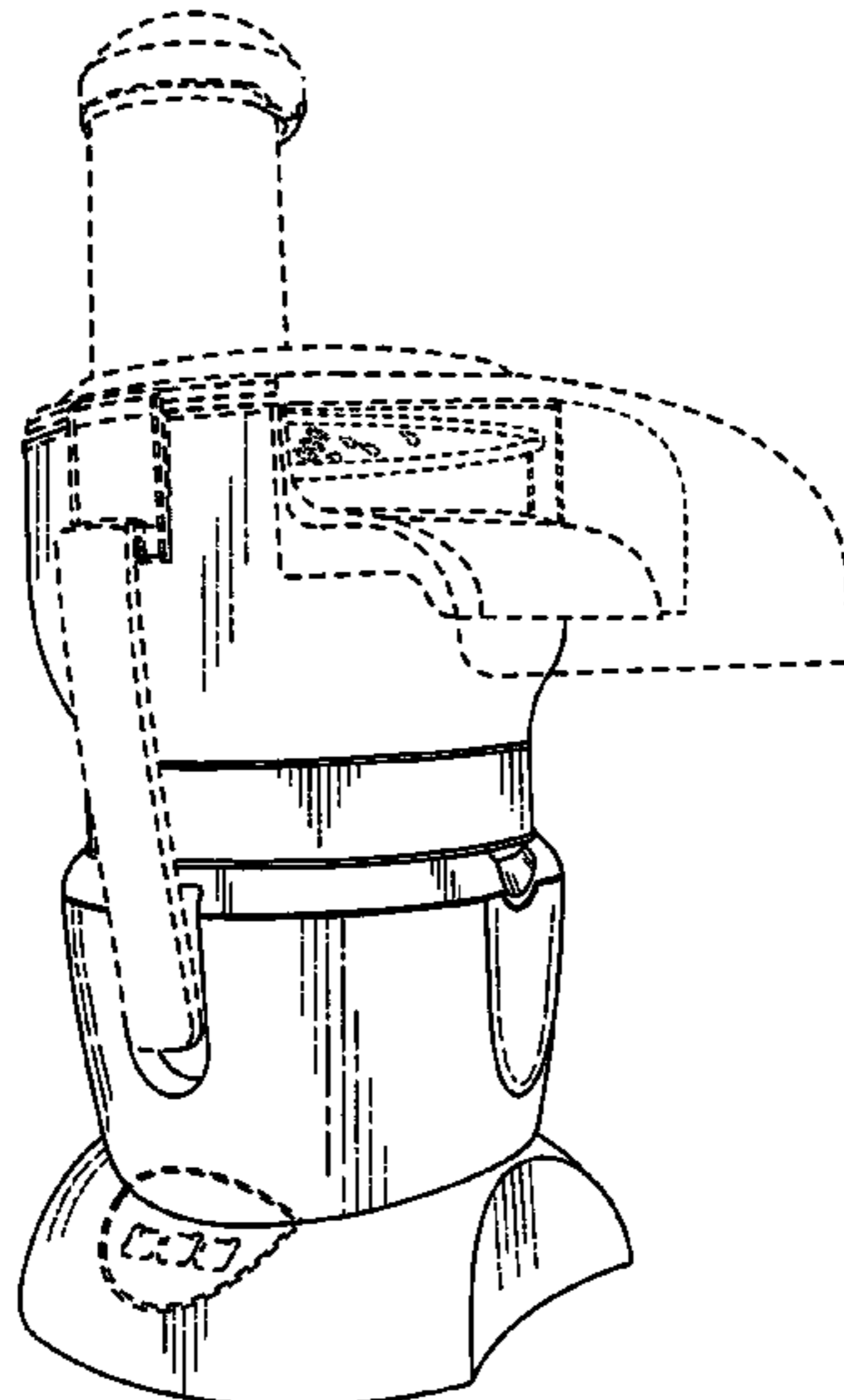
The ornamental design for a blender, as shown and described.

DESCRIPTION

FIG. 1 Is a front left perspective view of a blender, showing my new design;
FIG. 2 Is a side view thereof;
FIG. 3 Is a side view thereof;
FIG. 4 Is a front view thereof;
FIG. 5 Is a back view thereof;
FIG. 6. Is a top plan view thereof; and,
FIG. 7 Is a bottom plan view thereof.

The broken line depictions are for illustrative purposes only and form no part of the claimed design.

1 Claim, 6 Drawing Sheets



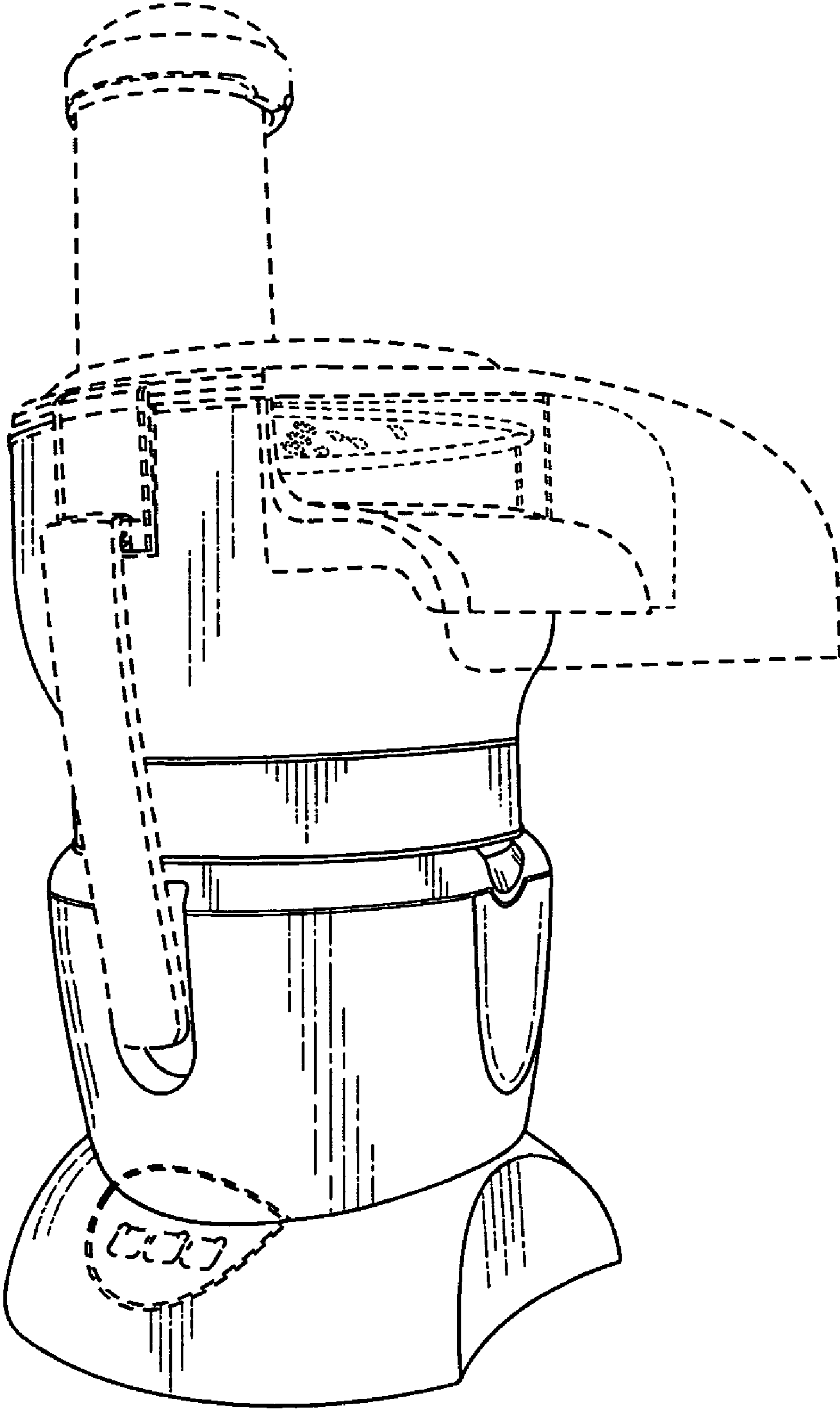


FIG. 1

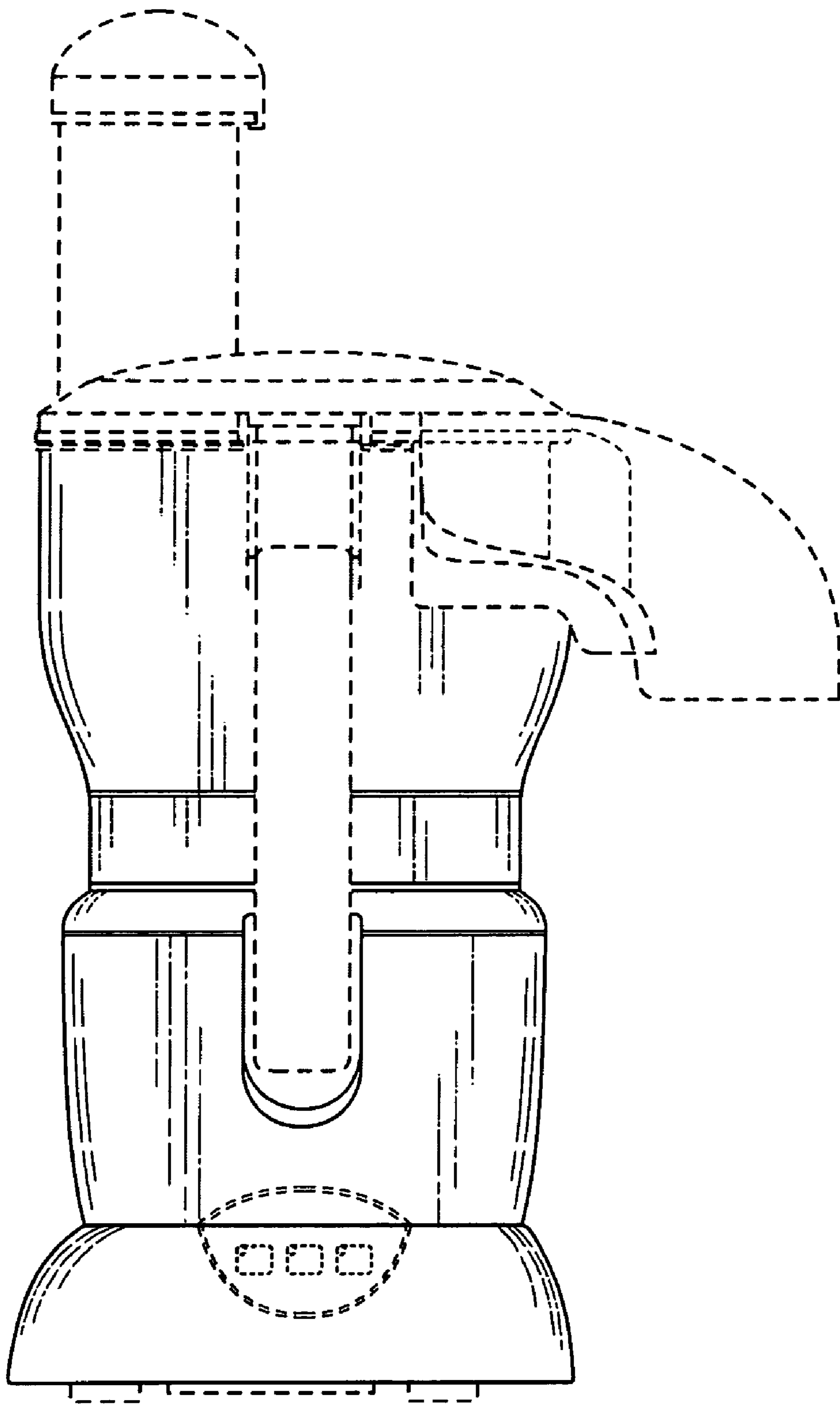


FIG. 2

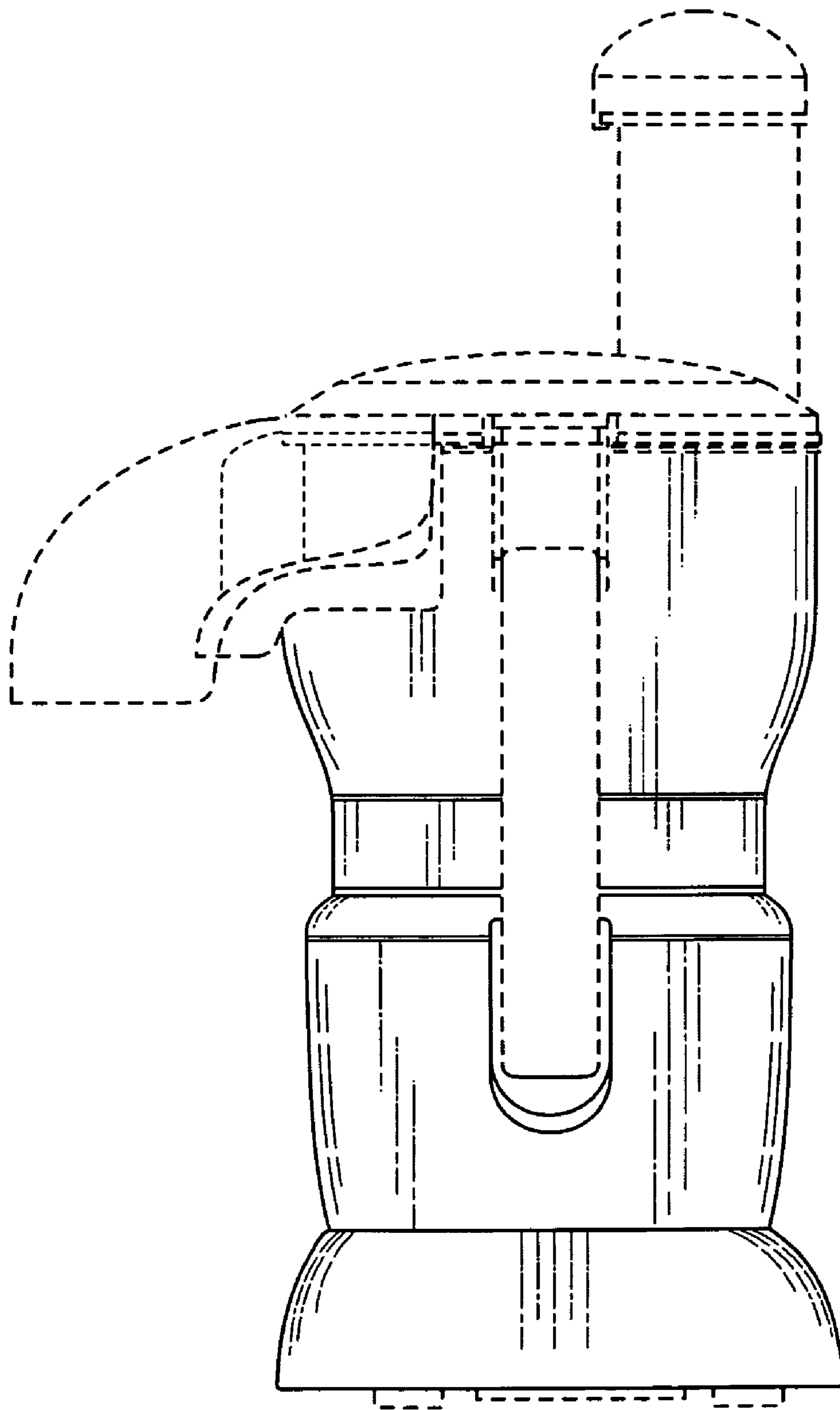


FIG. 3

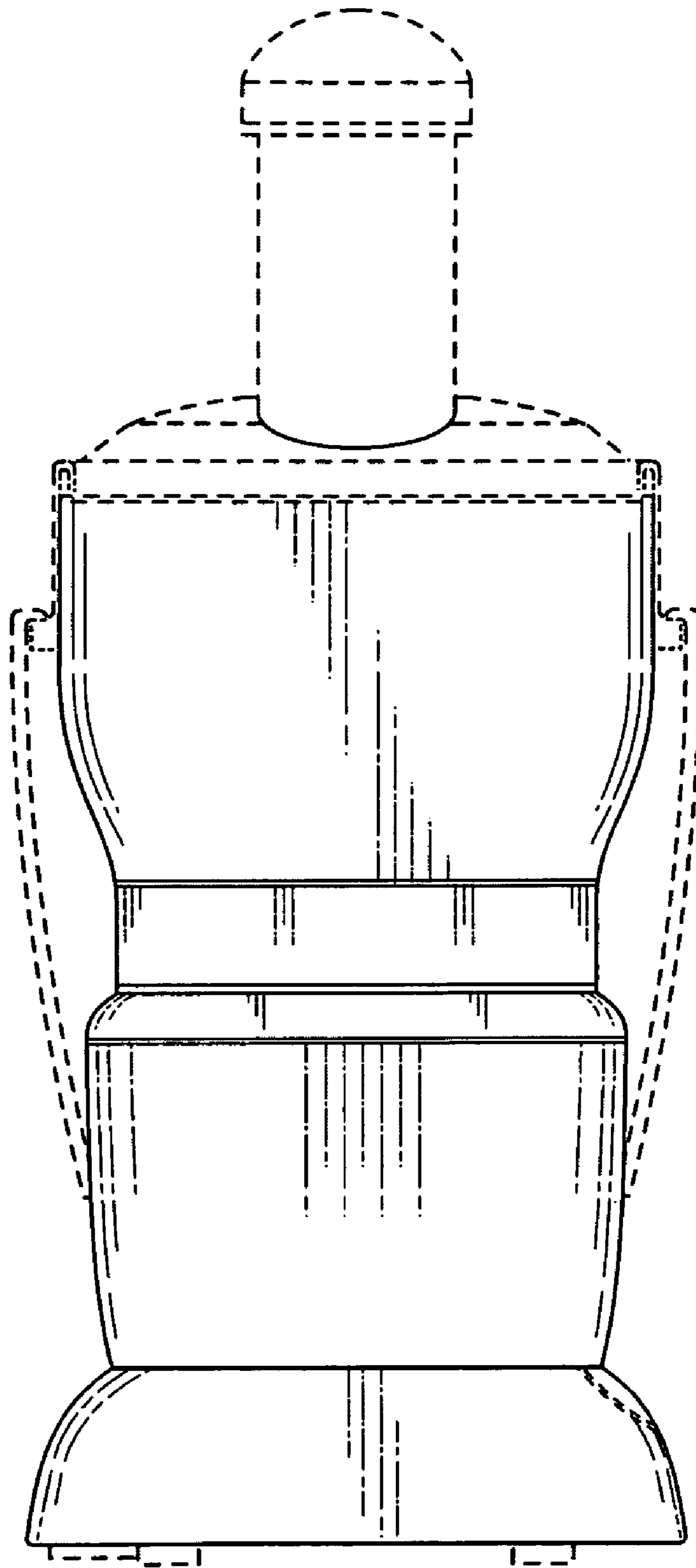


FIG. 4

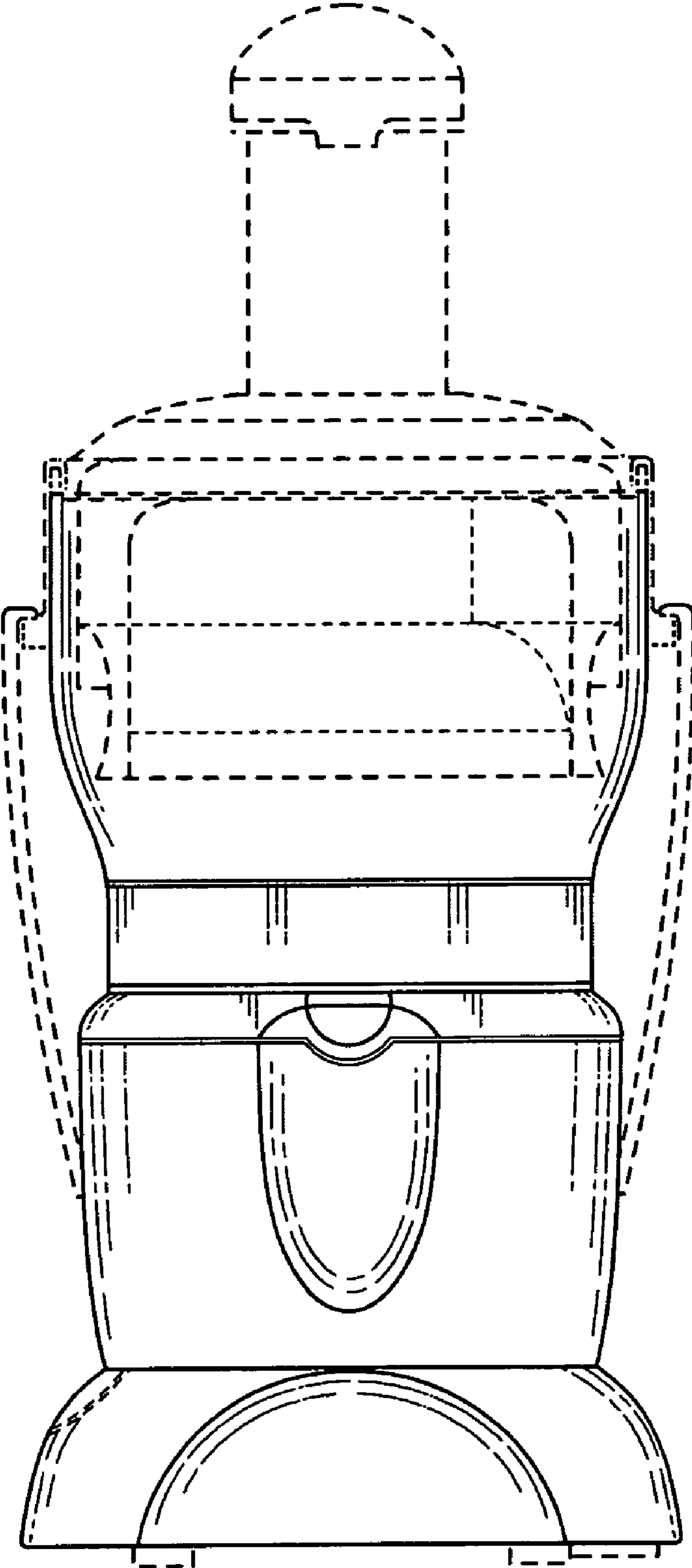


FIG. 5

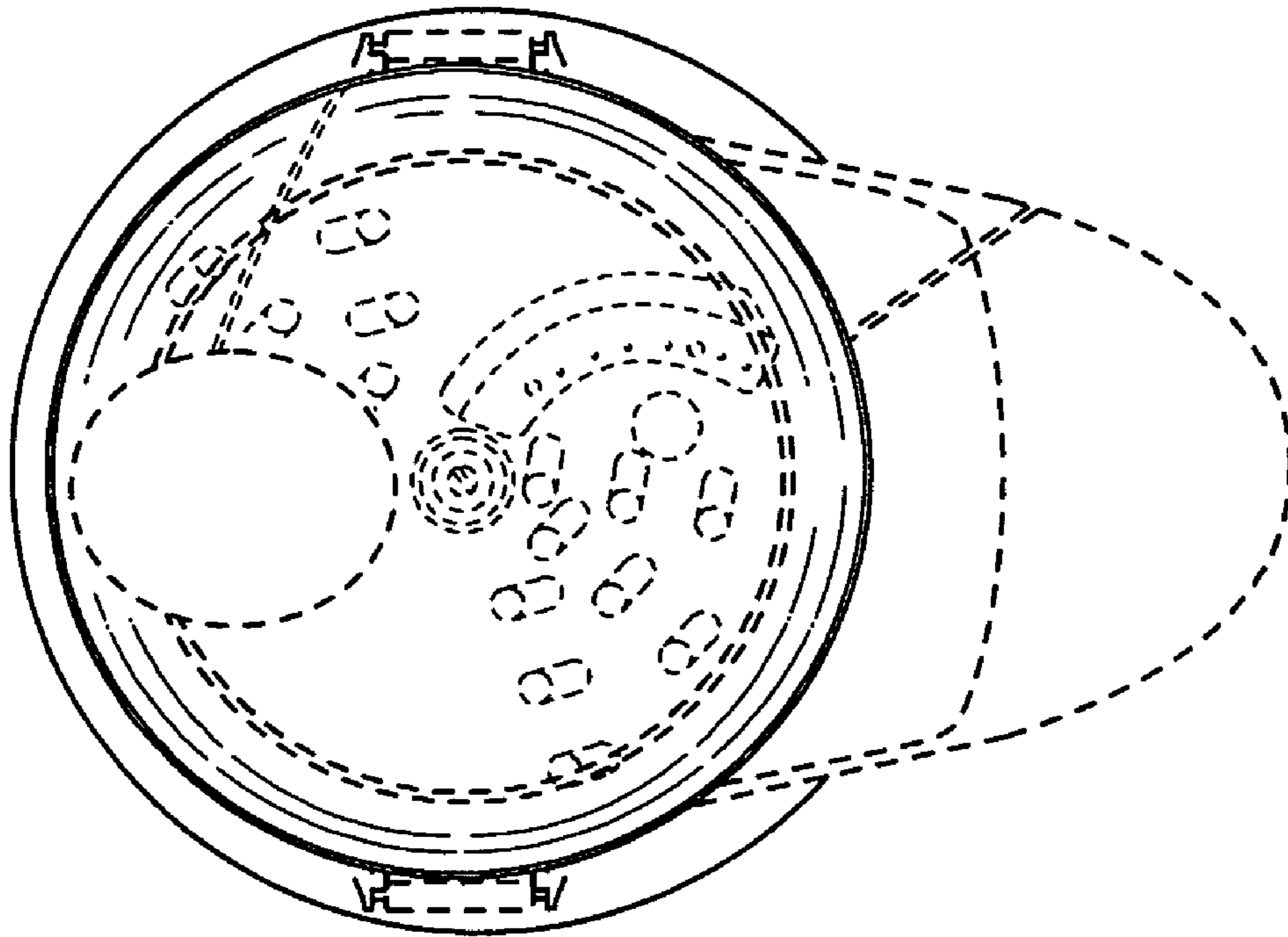


FIG. 6

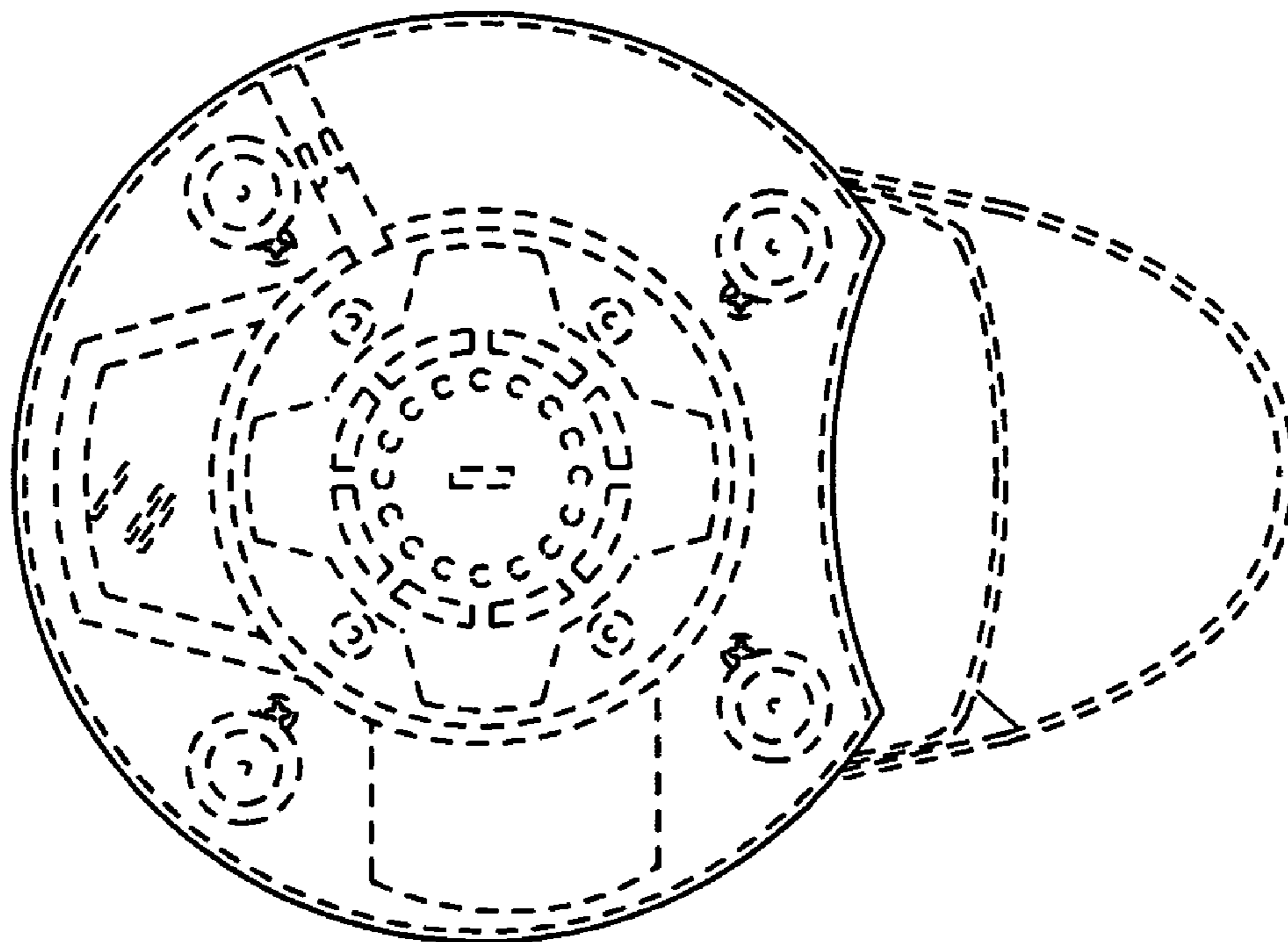


FIG. 7