



US00D588398S

(12) **United States Design Patent**
Pan

(10) **Patent No.:** **US D588,398 S**

(45) **Date of Patent:** **** Mar. 17, 2009**

(54) **DEEP FRYER**

(76) **Inventor:** **Yun Pan**, 26A, Haidu Garden, Shenyang Road, Yantian District, Shenzhen, Guangdong Province (CN)

(**) **Term:** **14 Years**

(21) **Appl. No.:** **29/306,022**

(22) **Filed:** **Apr. 1, 2008**

(51) **LOC (9) Cl.** **07-02**

(52) **U.S. Cl.** **D7/354**

(58) **Field of Classification Search** D7/323,
D7/337, 354-361, 365, 376-379, 383-384,
D7/545, 560; D21/525; 99/324-325, 329 R,
99/330-340, 347, 403, 410-413, 419, 473;
219/386, 401, 428-430, 435-436, 440-442;
220/203.01, 203.07, 303, 573.1, 912
See application file for complete search history.

(56) **References Cited**

U.S. PATENT DOCUMENTS

- 2,785,277 A * 3/1957 Jepson 219/442
- D323,762 S * 2/1992 Barrault D7/354
- D369,505 S * 5/1996 Philippe D7/354
- D384,547 S * 10/1997 Roussard et al. D7/358
- D432,349 S * 10/2000 Jo D7/358
- D455,600 S * 4/2002 Barrera D7/358

- D516,374 S * 3/2006 McLemore D7/360
- D522,308 S * 6/2006 Ball et al. D7/360
- D525,478 S * 7/2006 Averty D7/354
- D530,564 S * 10/2006 Chiba D7/360
- D552,921 S * 10/2007 Garman et al. D7/354
- D557,552 S * 12/2007 Matras D7/354

FOREIGN PATENT DOCUMENTS

GB 3015938 * 1/2004

* cited by examiner

Primary Examiner—Caron D. Veynar
Assistant Examiner—Ricky Pham

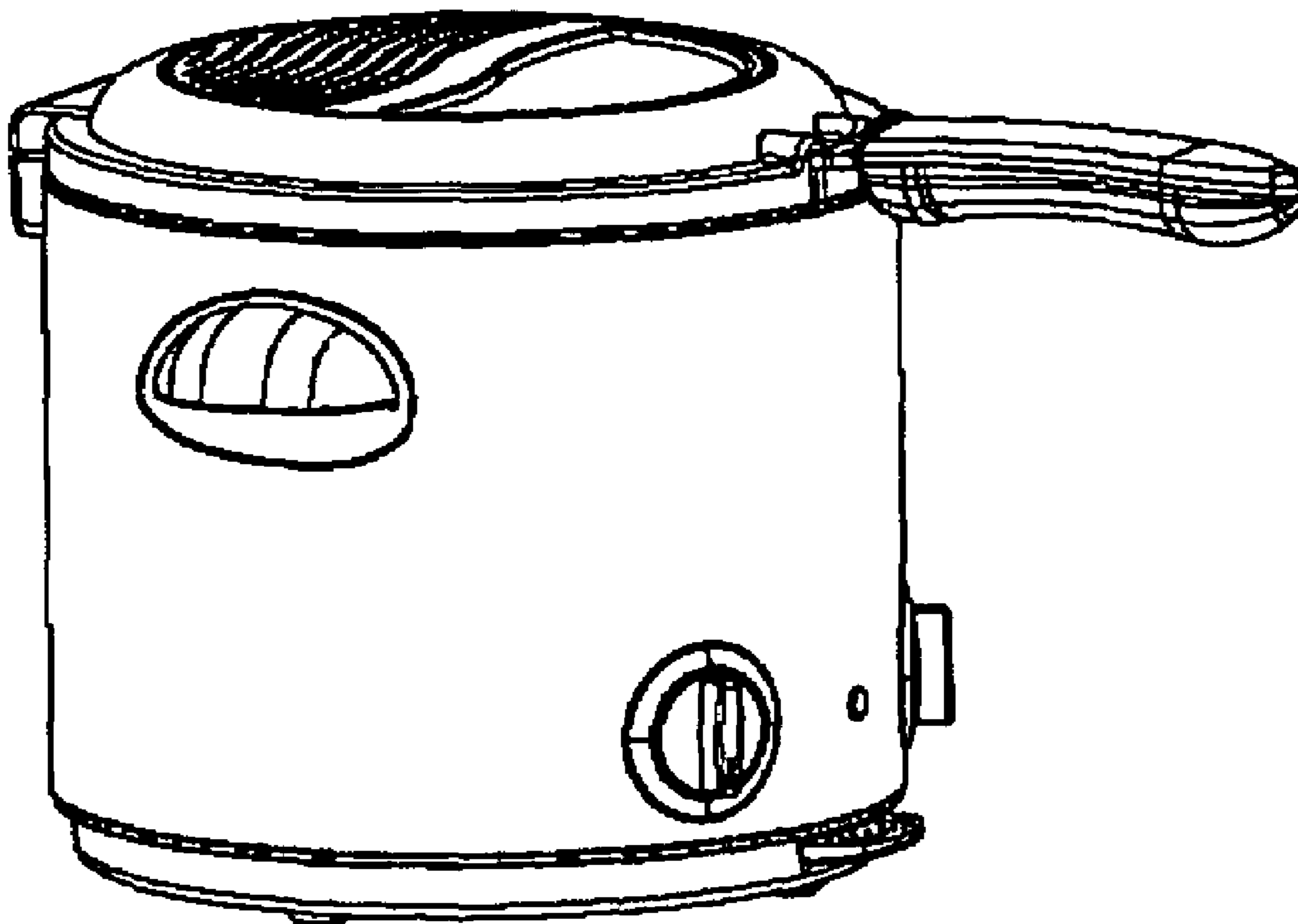
(57) **CLAIM**

The ornamental design for a deep fryer, as shown.

DESCRIPTION

FIG. 1 is a front view of a deep fryer showing my new design;
FIG. 2 is a rear view thereof;
FIG. 3 is a left side view thereof;
FIG. 4 is a right side view thereof;
FIG. 5 is a top plan view thereof;
FIG. 6 is a bottom plan view thereof; and,
FIG. 7 is a perspective side view thereof.

1 Claim, 4 Drawing Sheets



Deep Fryer

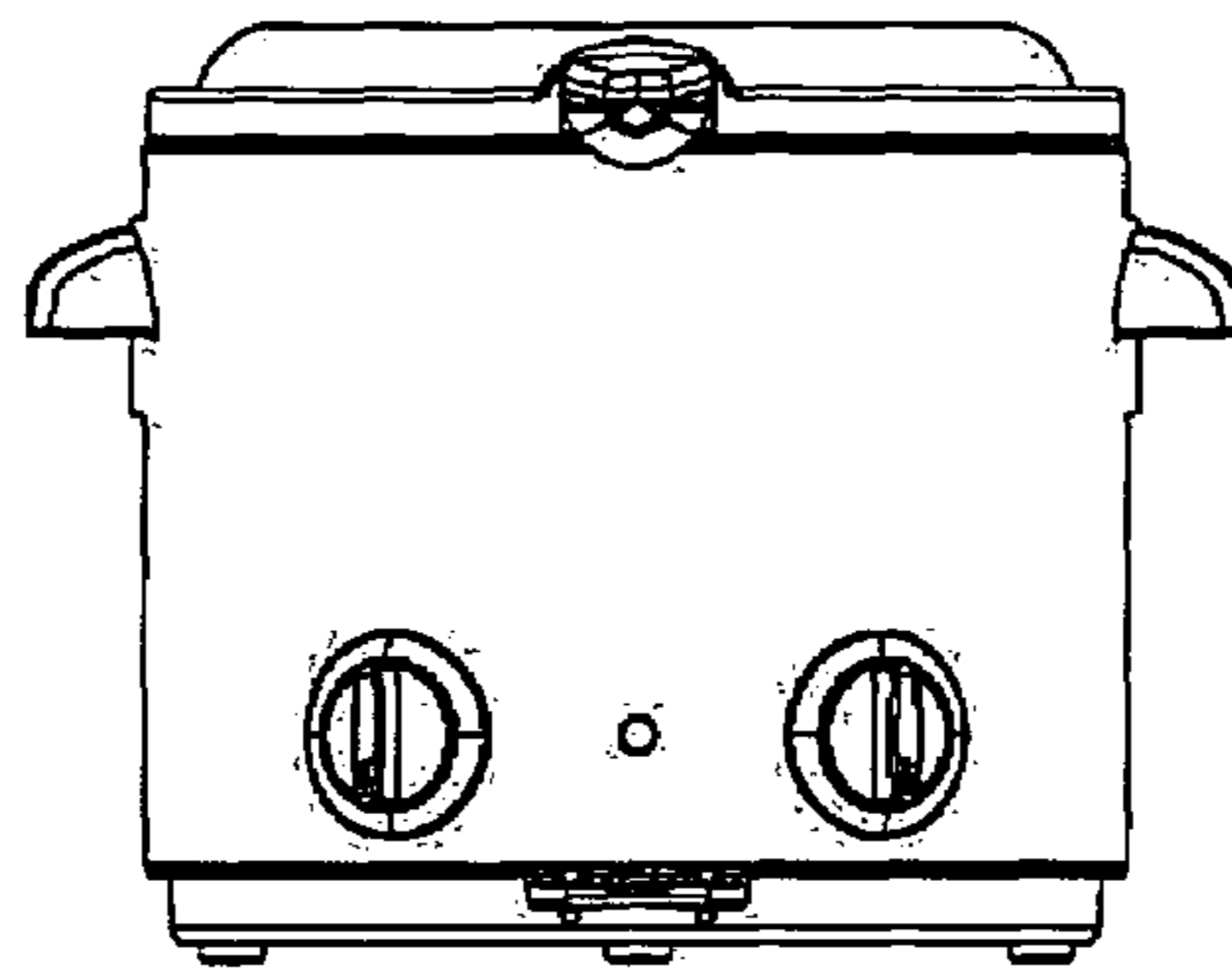


Fig. 1

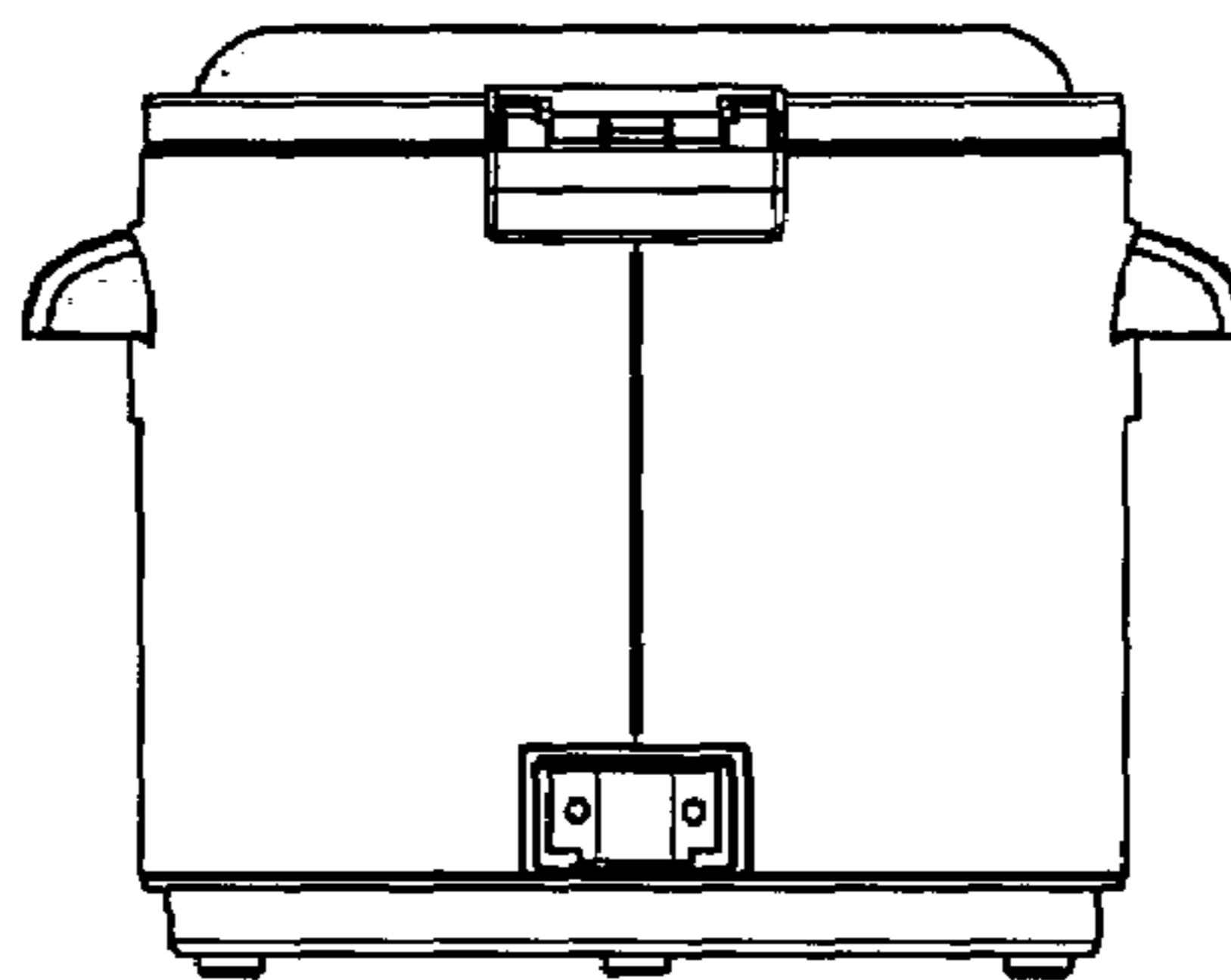


Fig. 2

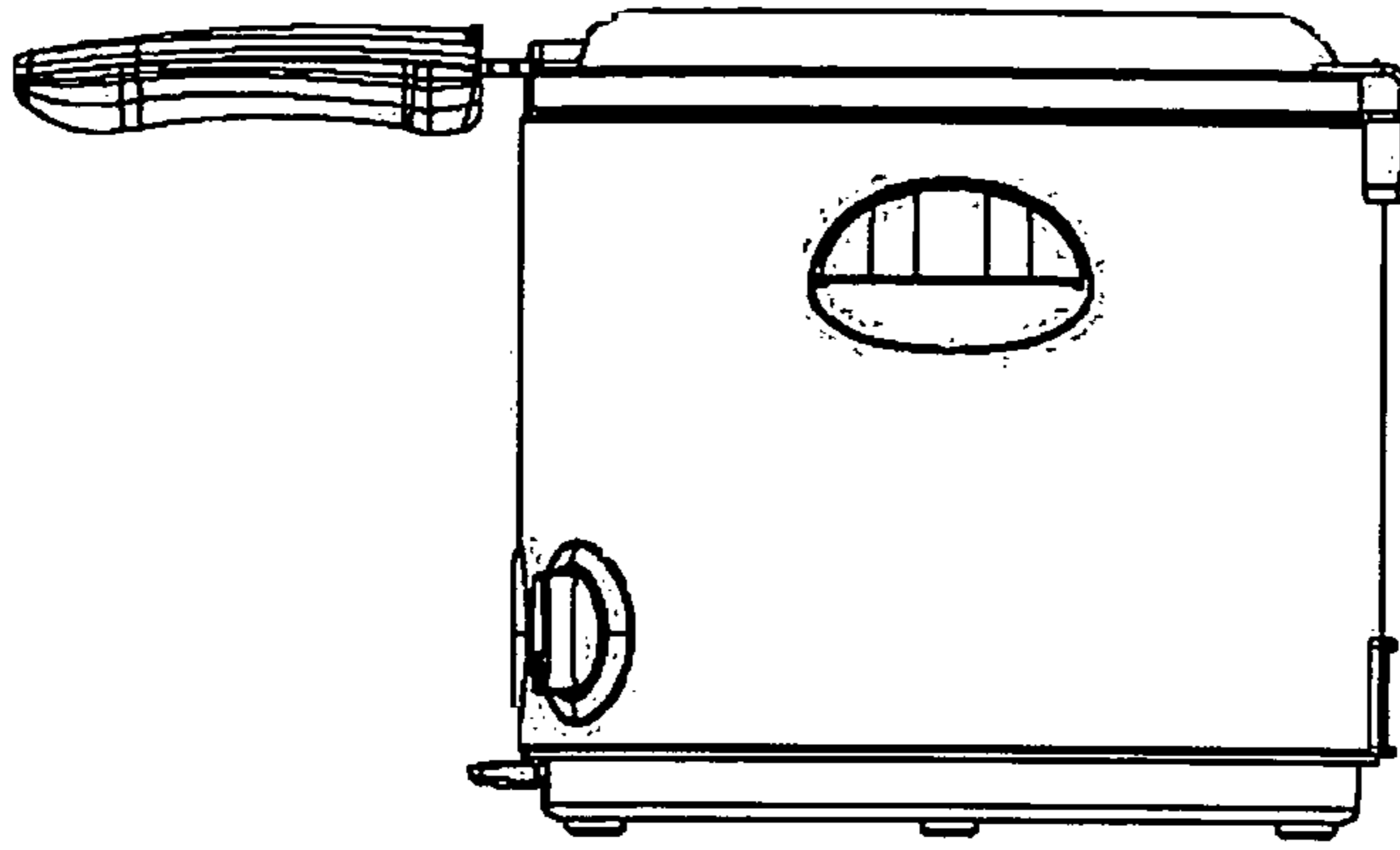


Fig. 3

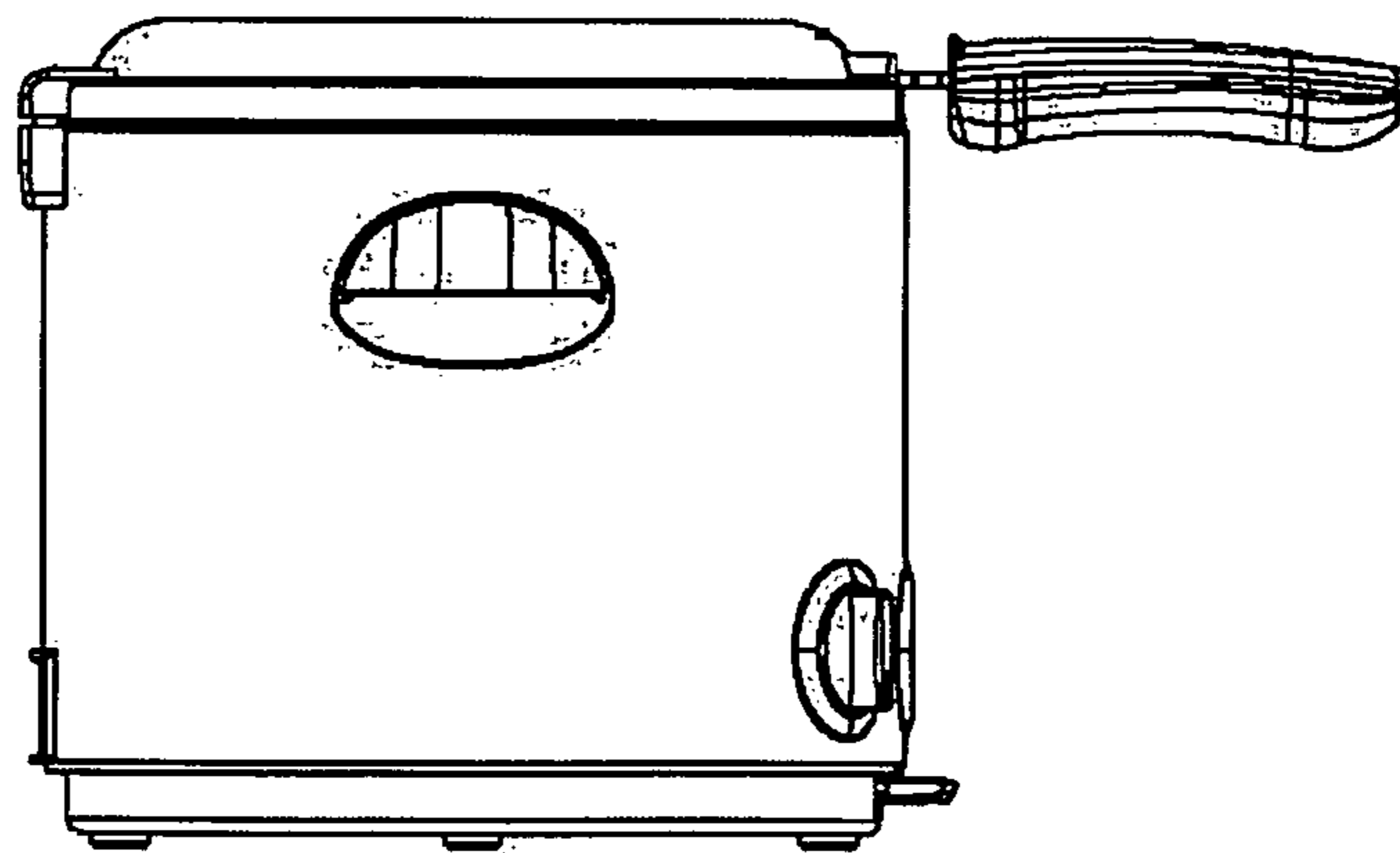


Fig. 4

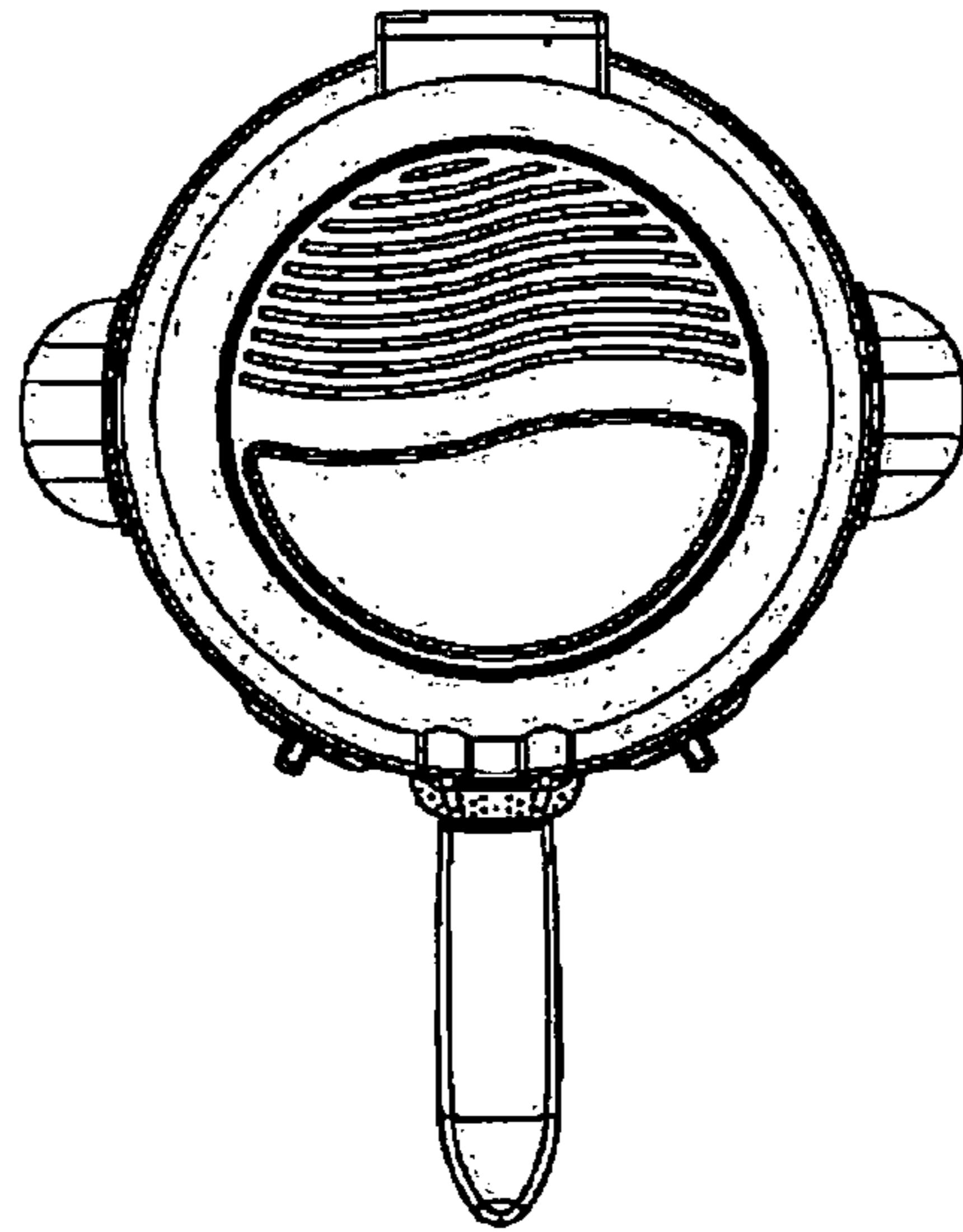


Fig. 5

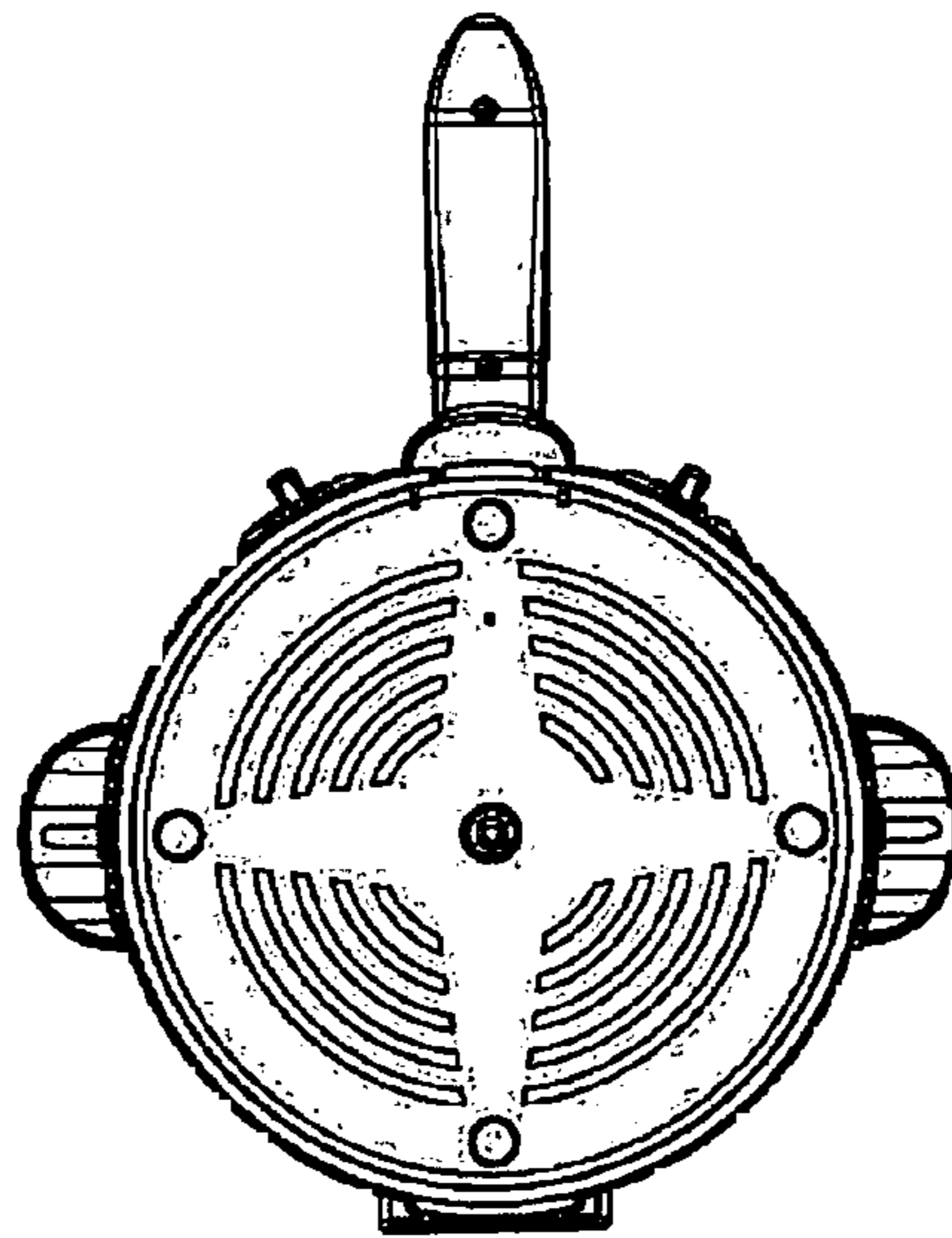


Fig. 6

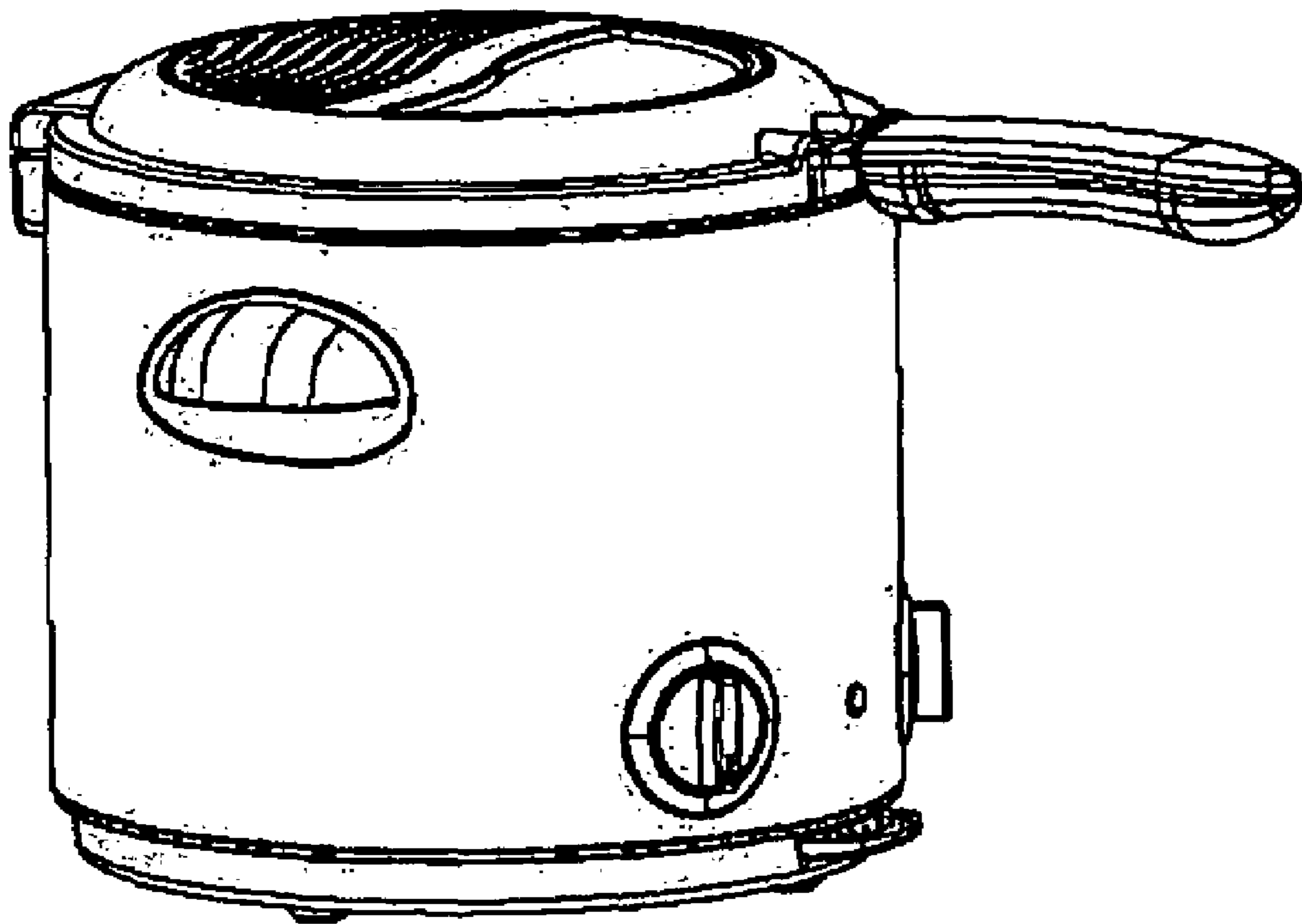


Fig. 7