



US00D588396S

(12) **United States Design Patent**
Millsap et al.

(10) **Patent No.:** **US D588,396 S**
(45) **Date of Patent:** **** *Mar. 17, 2009**

(54) **BAKING PAN**

D258,711 S * 3/1981 Baker et al. D7/554.3
D263,268 S * 3/1982 Rein D7/554.3

(75) Inventors: **André David Millsap**, Reynoldsburg,
OH (US); **Paul Metaxatos**, Swampscott,
MA (US)

(73) Assignees: **SEB S.A.**, Rumilly (FR); **Groupe SEB**
USA, West Orange, NJ (US)

(*) Notice: This patent is subject to a terminal dis-
claimer.

(Continued)
OTHER PUBLICATIONS
Andre David Millsap et al., Copending U.S. Appl. No. 29/251,208,
filed Jan. 5, 2006.

(**) Term: **14 Years**

(21) Appl. No.: **29/251,249**

(22) Filed: **Jan. 5, 2006**

(Continued)
Primary Examiner—Caron Veynar
Assistant Examiner—Ricky Pham
(74) *Attorney, Agent, or Firm*—The Webb Law Firm

(51) **LOC (9) Cl.** **07-02**

(52) **U.S. Cl.** **D7/354**

(58) **Field of Classification Search** D7/323,
D7/354, 356, 357, 359, 360, 409, 500, 552,
D7/554.1, 554.2, 554.3, 554.4, 556; D9/456;
D15/90; 99/422, 425, 426, 428, 430, 432,
99/439–442, 444, 446, DIG. 15; 206/557,
206/561–564; 220/405, 445, 447, 469, 500,
220/507, 508, 553, 555, 575, 626
See application file for complete search history.

(57) **CLAIM**

The ornamental design for a baking pan, as shown and
described.

(56) **References Cited**

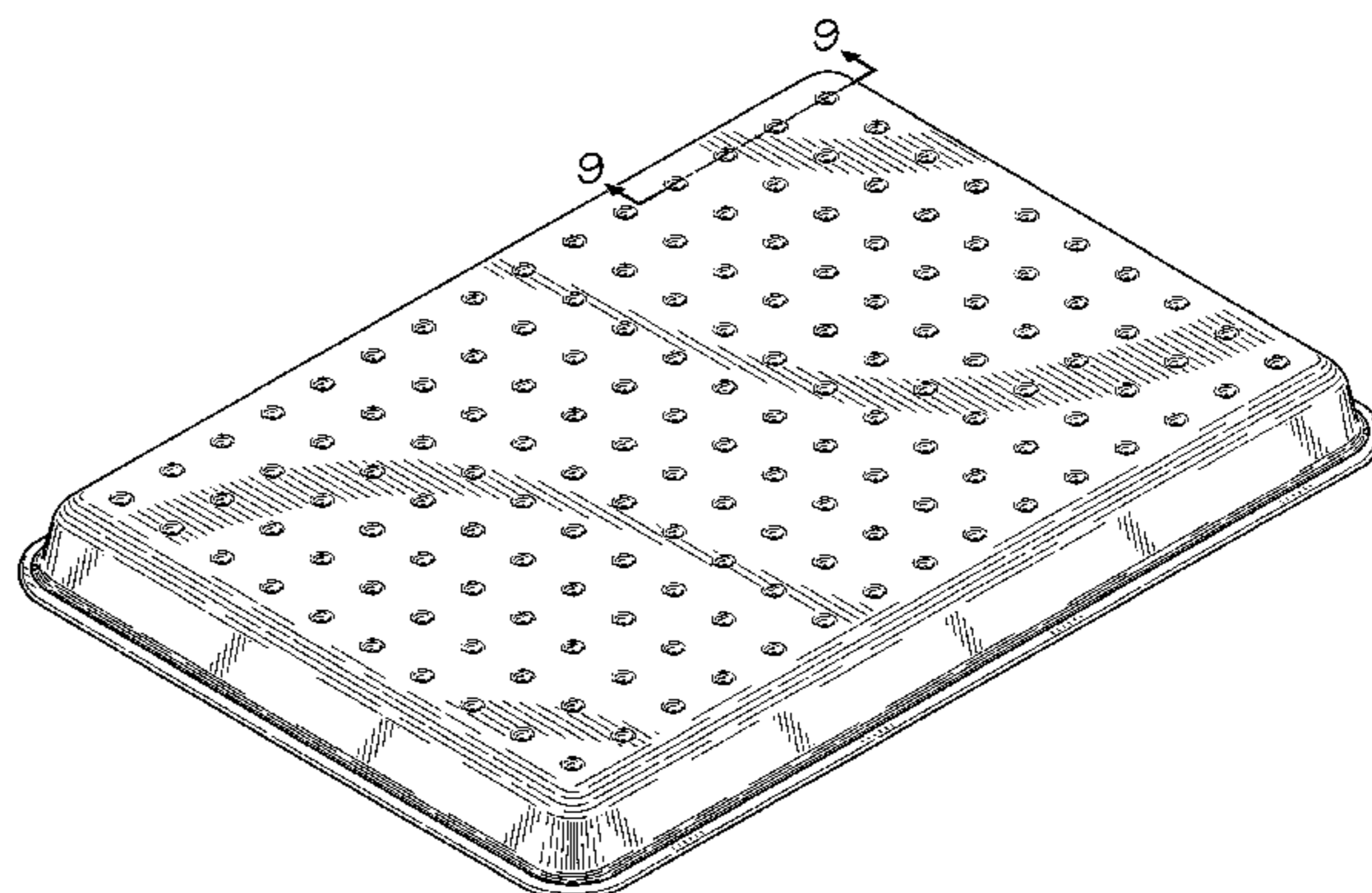
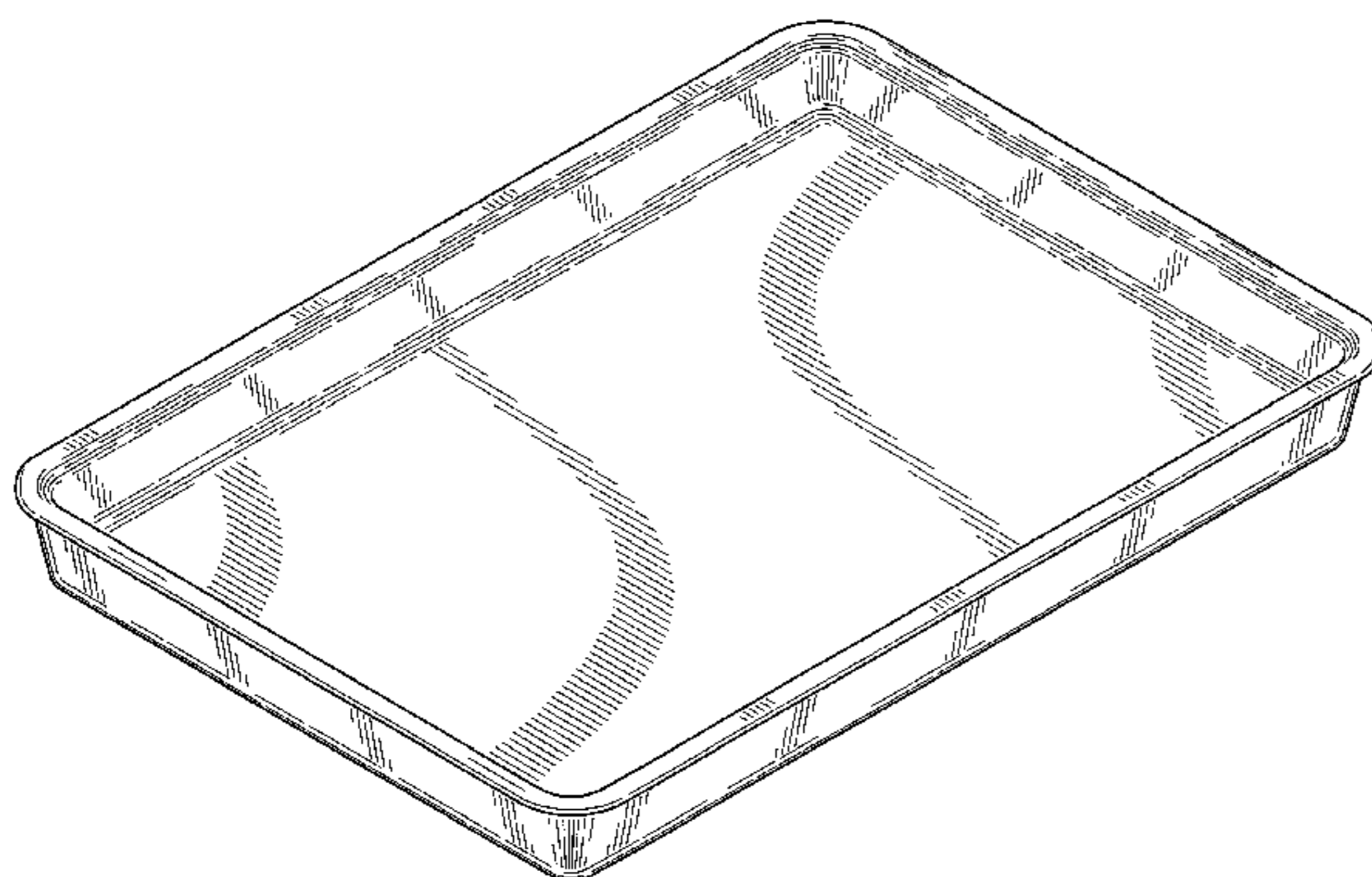
U.S. PATENT DOCUMENTS

1,093,648	A	4/1914	Potter	
1,361,364	A	12/1920	Burlingham	
1,749,433	A	3/1930	Kussa et al.	
2,042,993	A	6/1936	Hopes	
2,057,951	A *	10/1936	Ingram et al.	99/422
2,078,102	A *	4/1937	Siela	99/439
2,151,535	A	3/1939	Scurlock	
2,174,425	A	9/1939	Schlumbohm	
2,618,258	A	11/1952	Kroyer	
D199,593	S	11/1964	Reifers	
3,558,002	A *	1/1971	Lindgren	220/657
3,640,209	A *	2/1972	Wilson	99/446
3,799,048	A	3/1974	Finley	
D242,052	S	10/1976	Van Ness	

DESCRIPTION

FIG. 1 is a top perspective view of a baking pan;
FIG. 2 is a bottom perspective view of the baking pan of FIG. 1;
FIG. 3 is a top plan view of the baking pan of FIG. 1;
FIG. 4 is a bottom plan view of the baking pan of FIG. 1;
FIG. 5 is a front elevational view of the baking pan of FIG. 1;
FIG. 6 is a left side elevational view of the baking pan of FIG. 1;
FIG. 7 is a rear elevational view of the baking pan of FIG. 1;
FIG. 8 is a right side elevational view of the baking pan of FIG. 1; and,
FIG. 9 is a sectional view of the baking pan taken along section lines 9—9 of FIG. 2.

1 Claim, 7 Drawing Sheets



US D588,396 S

Page 2

U.S. PATENT DOCUMENTS

D274,781 S * 7/1984 Baker et al. D7/359
4,595,120 A * 6/1986 Logan et al. 220/573.1
D288,396 S * 2/1987 Ritman D7/586
4,676,151 A * 6/1987 Gorsuch et al. 99/450
4,785,968 A 11/1988 Logan et al.
D309,234 S 7/1990 Howell
4,941,585 A 7/1990 Hare et al.
5,351,608 A 10/1994 Muchin et al.
5,399,439 A 3/1995 Rasmussen
5,644,976 A * 7/1997 Muchin et al. 99/422
5,676,276 A * 10/1997 Zielinski et al. 220/657
5,806,410 A 9/1998 Muchin et al.
5,845,805 A 12/1998 Ragland
5,871,661 A * 2/1999 Swisher et al. 249/120
5,921,173 A 7/1999 Grycan et al.
D427,009 S 6/2000 Iyengar et al.
D431,958 S * 10/2000 Harris D7/354
6,279,469 B1 8/2001 Bailey
6,279,771 B1 8/2001 Bryant

D464,846 S 10/2002 Black
D481,584 S * 11/2003 Nolan D7/357
D489,567 S * 5/2004 Groll D7/354
D489,568 S * 5/2004 Groll D7/354
D490,644 S 6/2004 Groll
D493,256 S * 7/2004 Kim D28/61

OTHER PUBLICATIONS

Andre David Millsap et al., Copending U.S. Appl. No. 29/251,206, filed Jan. 5, 2006.

Andre David Millsap et al., Copending U.S. Appl. No. 29/251,207, filed Jan. 5, 2006.

Andre David Millsap et al., Copending U.S. Appl. No. 29/251,265, filed Jan. 5, 2006.

Andre David Millsap et al., Copending U.S. Appl. No. 29/251,209, filed Jan. 5, 2006.

Andre David Millsap et al., Copending U.S. Appl. No. 11/326,254, filed Jan. 5, 2006.

* cited by examiner

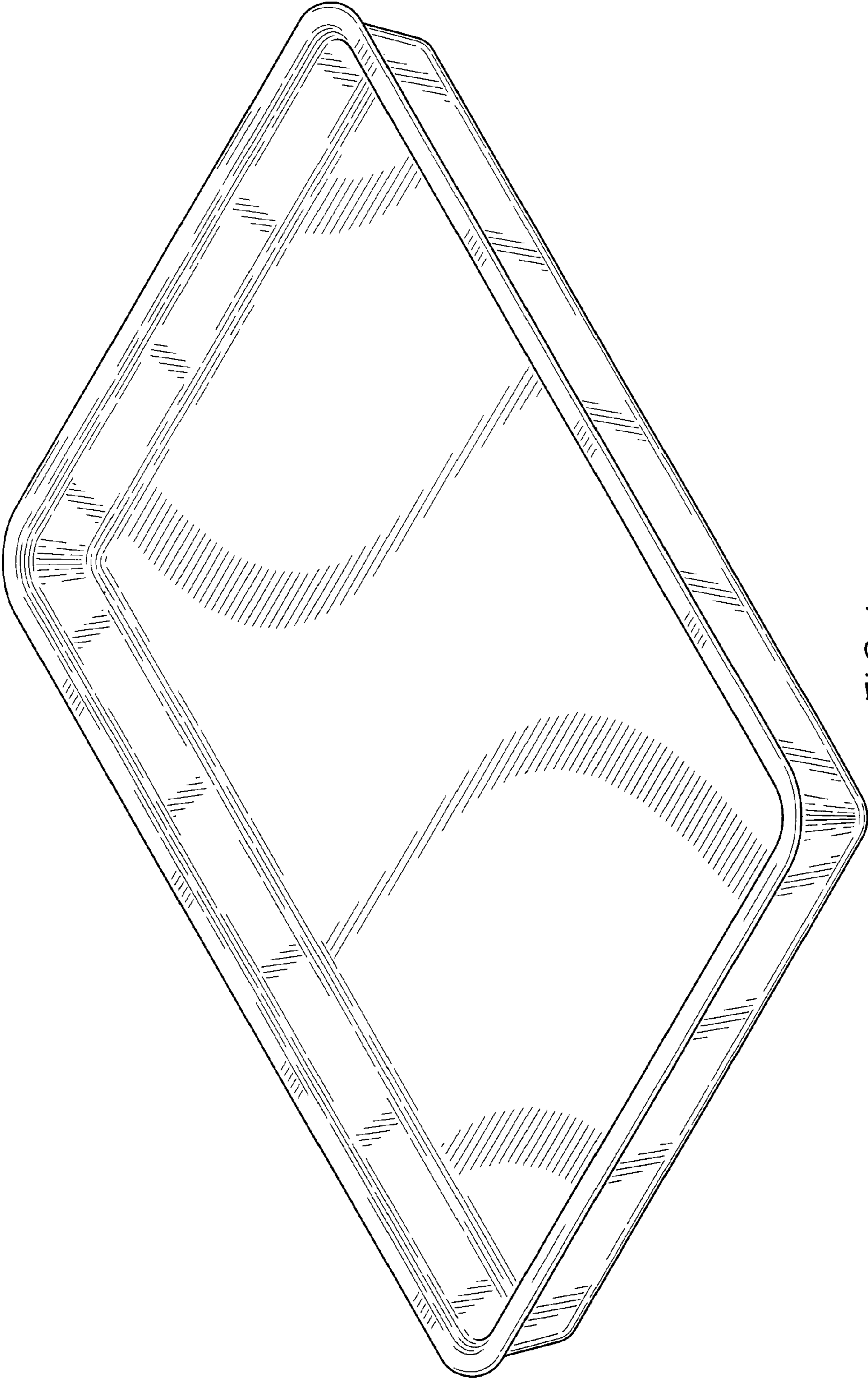


FIG. 1

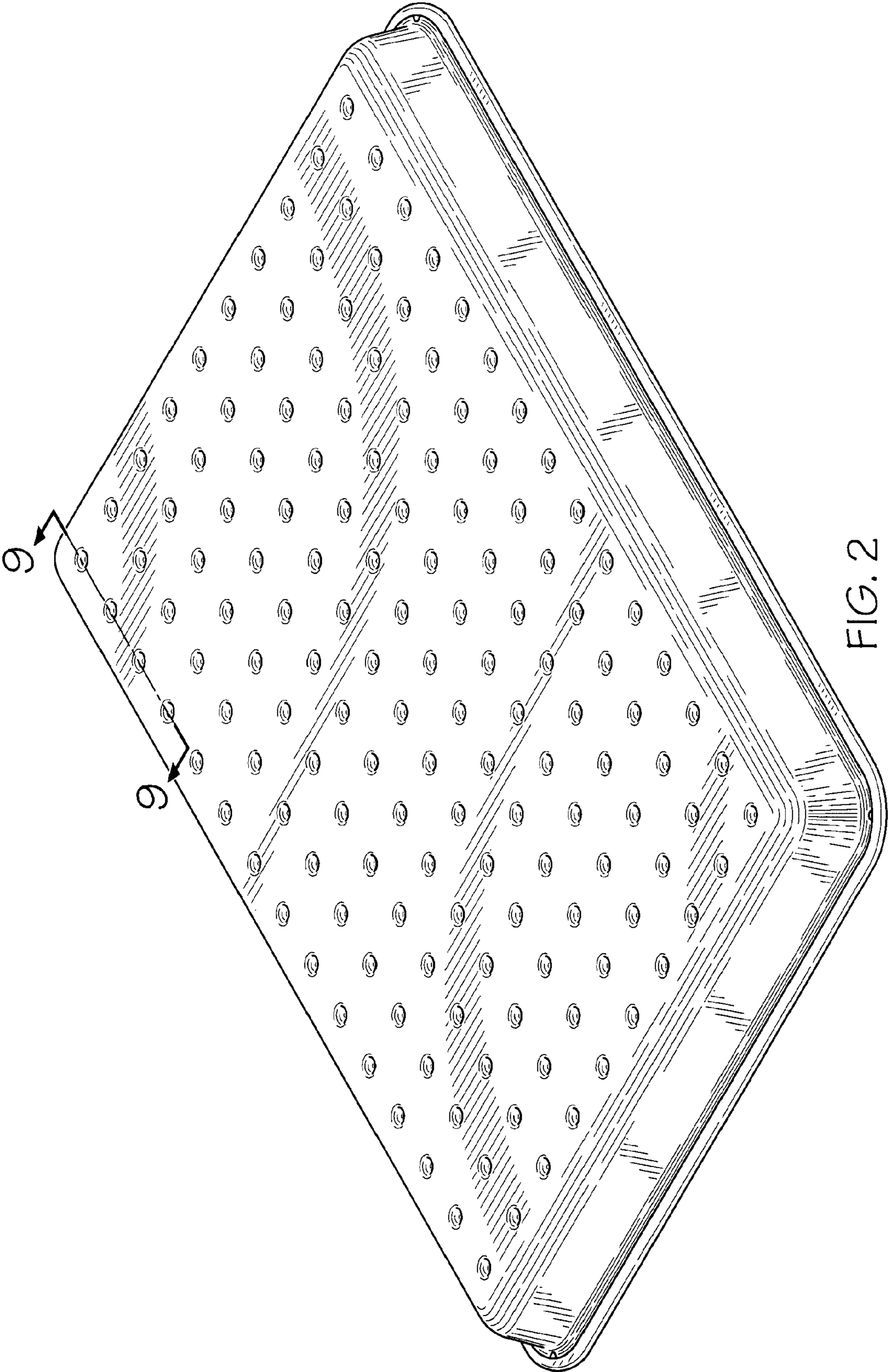


FIG. 2

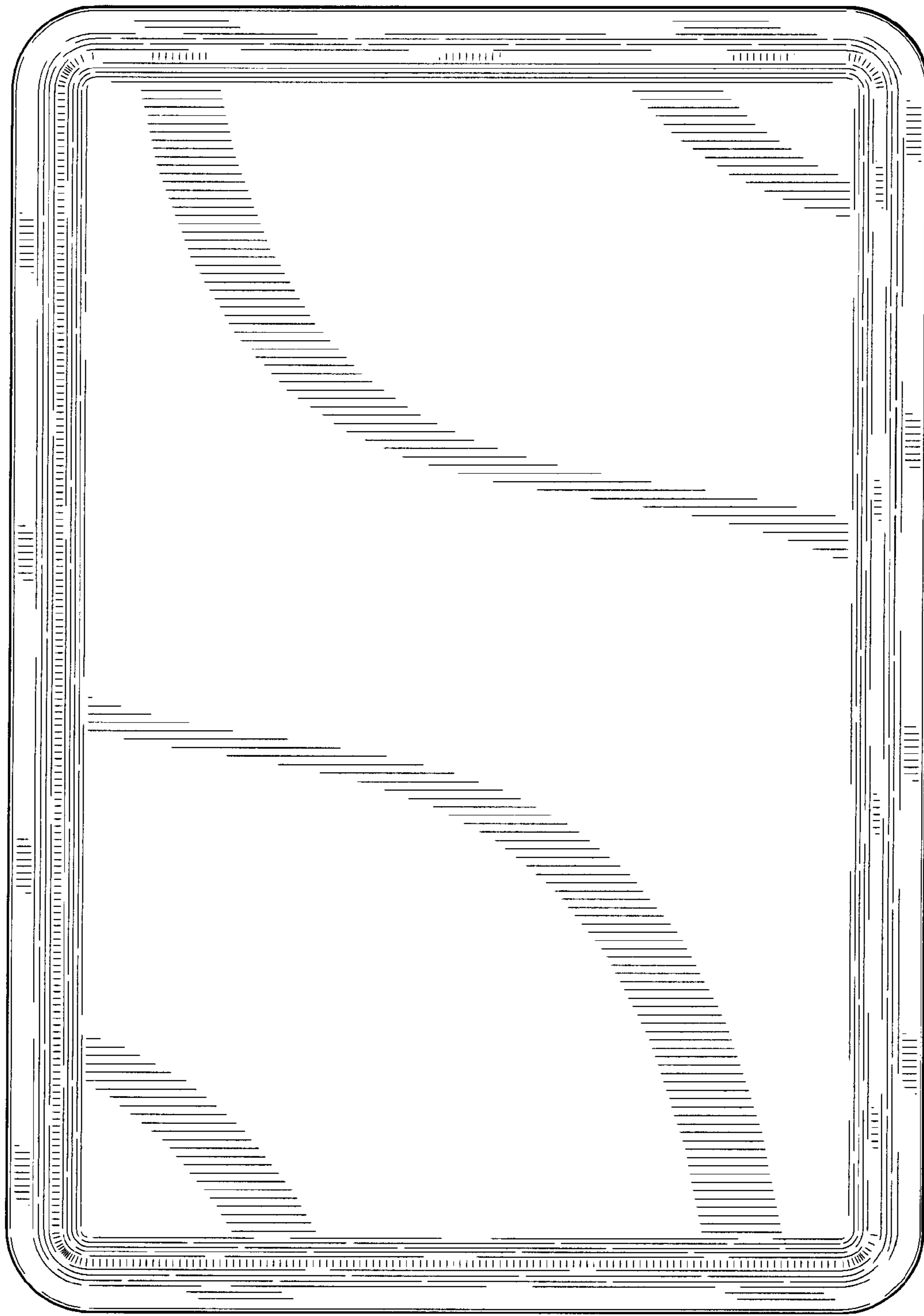


FIG. 3

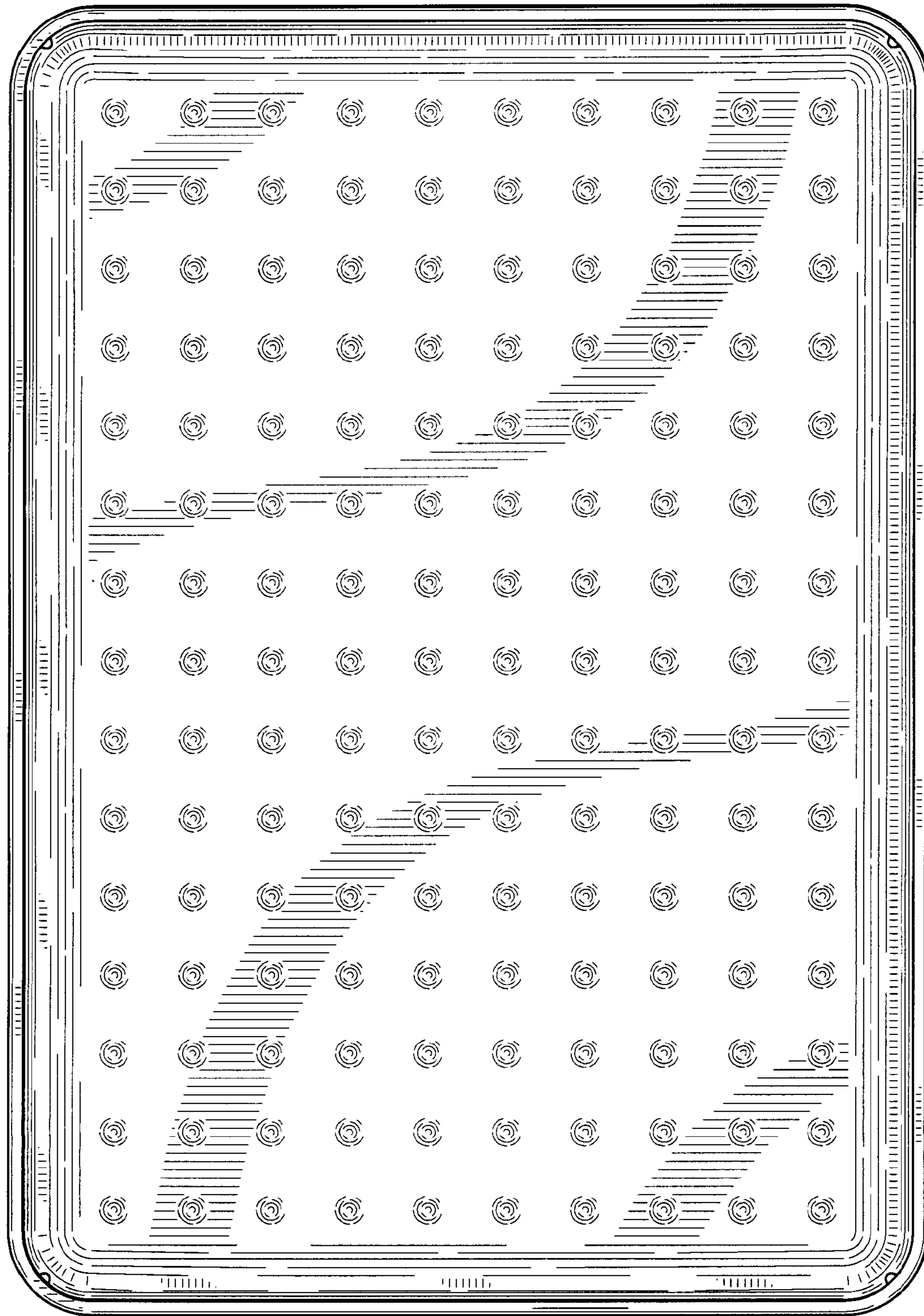


FIG. 4

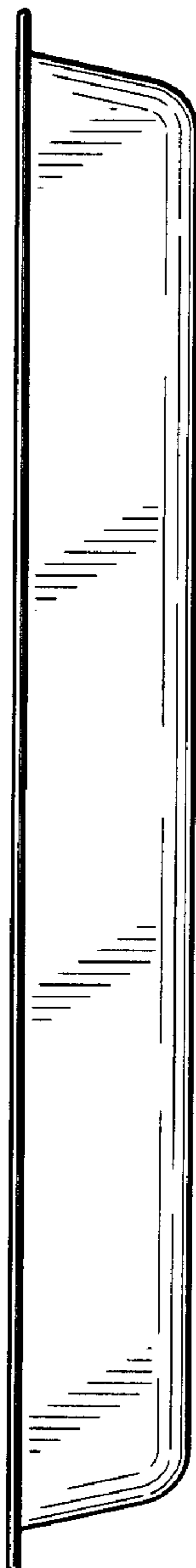


FIG. 5



FIG. 6

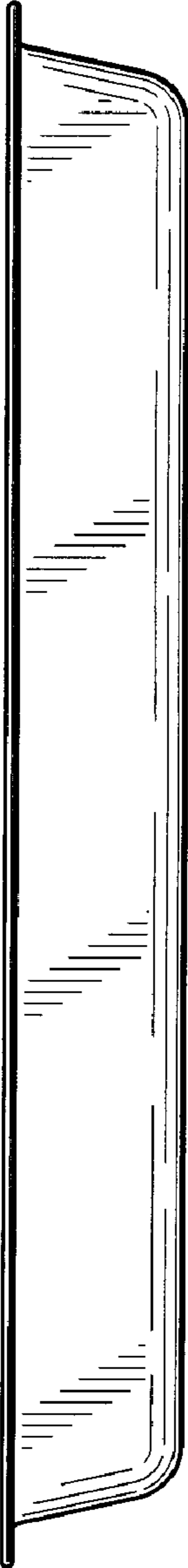


FIG. 7

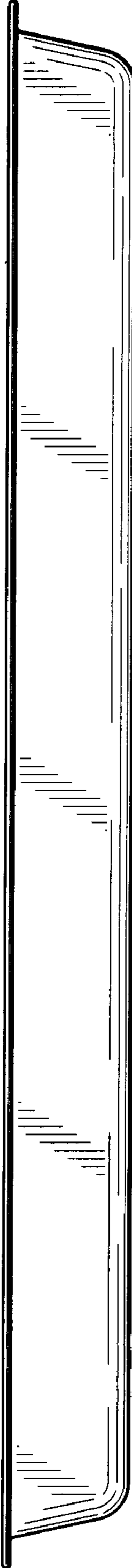


FIG. 8

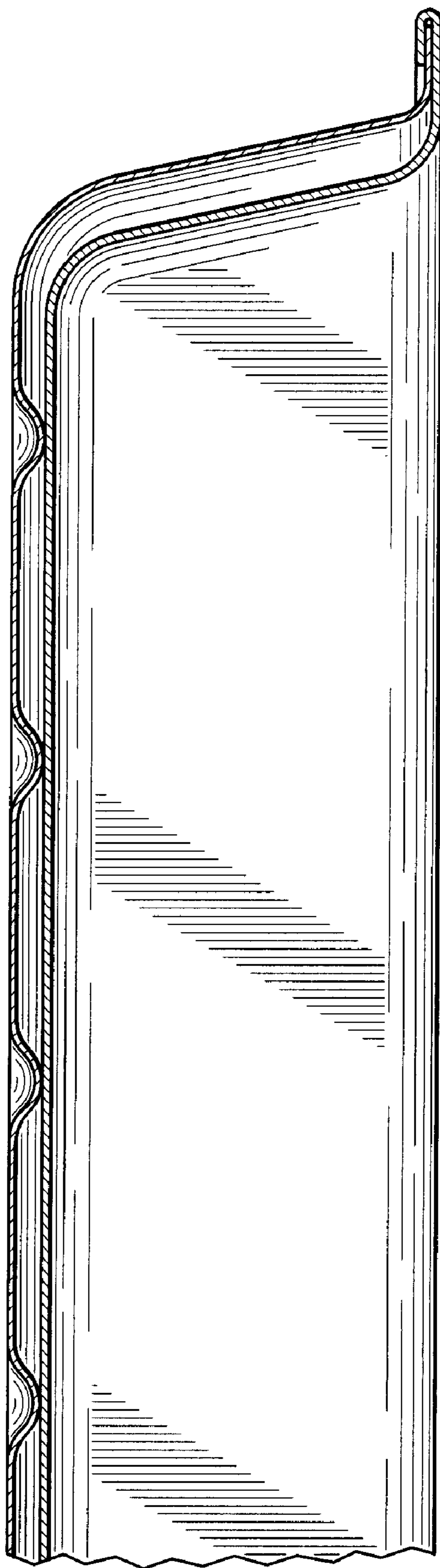


FIG. 9