



US00D588395S

(12) **United States Design Patent**
Friel, Jr. et al.

(10) **Patent No.:** **US D588,395 S**
(45) **Date of Patent:** **** Mar. 17, 2009**

(54) **ELECTRIC PIZZELLE MAKER**

(75) Inventors: **Daniel D. Friel, Jr.**, Kennett Square, PA (US); **Abraham Leibson**, Lambertville, NJ (US); **Terry Hall**, Wilmington, DE (US)

(73) Assignee: **Edgecraft Corporation**, Avondale, PA (US)

(**) Term: **14 Years**

(21) Appl. No.: **29/317,614**

(22) Filed: **May 2, 2008**

(51) **LOC (9) Cl.** **07-02**

(52) **U.S. Cl.** **D7/352**

(58) **Field of Classification Search** D7/323,
D7/328-332, 334-341, 347-349, 352-363,
D7/609; 99/219, 331, 339-340, 349, 369,
99/372-375, 385-386, 389, 425, 444, 446,
99/466, 601, 618, 620; 219/524-525, 620-622,
219/732-734

See application file for complete search history.

(56) **References Cited**

U.S. PATENT DOCUMENTS

D194,336 S * 1/1963 Cornwell D7/352
D240,993 S * 8/1976 Levin D7/352
4,011,431 A * 3/1977 Levin 219/524

D246,149 S * 10/1977 Levin D7/352
D247,539 S * 3/1978 Mizoguchi D7/352
D248,722 S * 8/1978 Tsuji D7/352
D248,813 S * 8/1978 Mizoguchi D7/352
D249,446 S * 9/1978 Madl et al. D7/352
D271,556 S * 11/1983 Bowen et al. D7/352
D276,971 S * 1/1985 Potts D7/352
D434,265 S * 11/2000 Tatlow D7/354
6,619,192 B2 * 9/2003 Lee 99/422
D542,080 S * 5/2007 Trigiani D7/352

* cited by examiner

Primary Examiner—Caron Veynar

Assistant Examiner—Ricky Pham

(74) *Attorney, Agent, or Firm*—Connolly Bove

(57) **CLAIM**

The ornamental design for a electric pizzelle maker, as shown and described.

DESCRIPTION

FIG. 1 is a front elevation view of an electric pizzelle makers showing our new design;

FIG. 2 is a top plan view thereof;

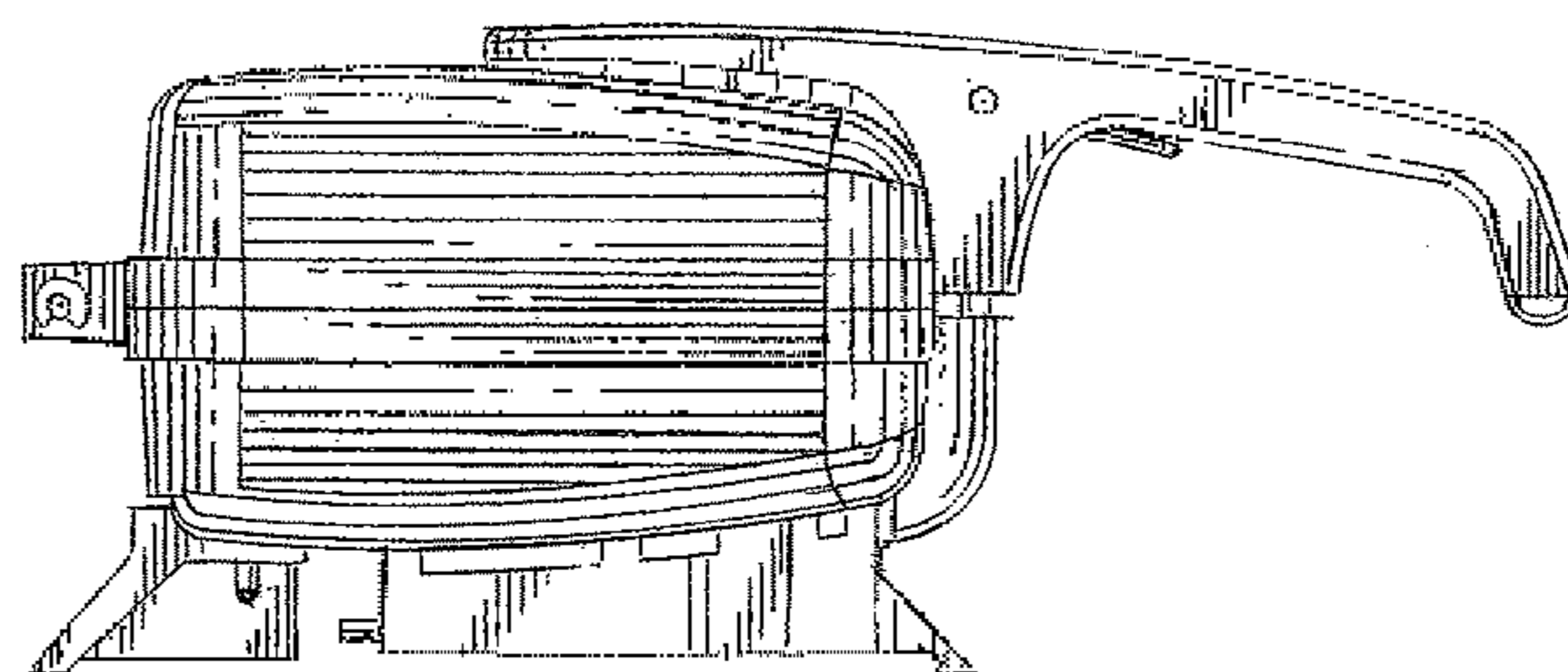
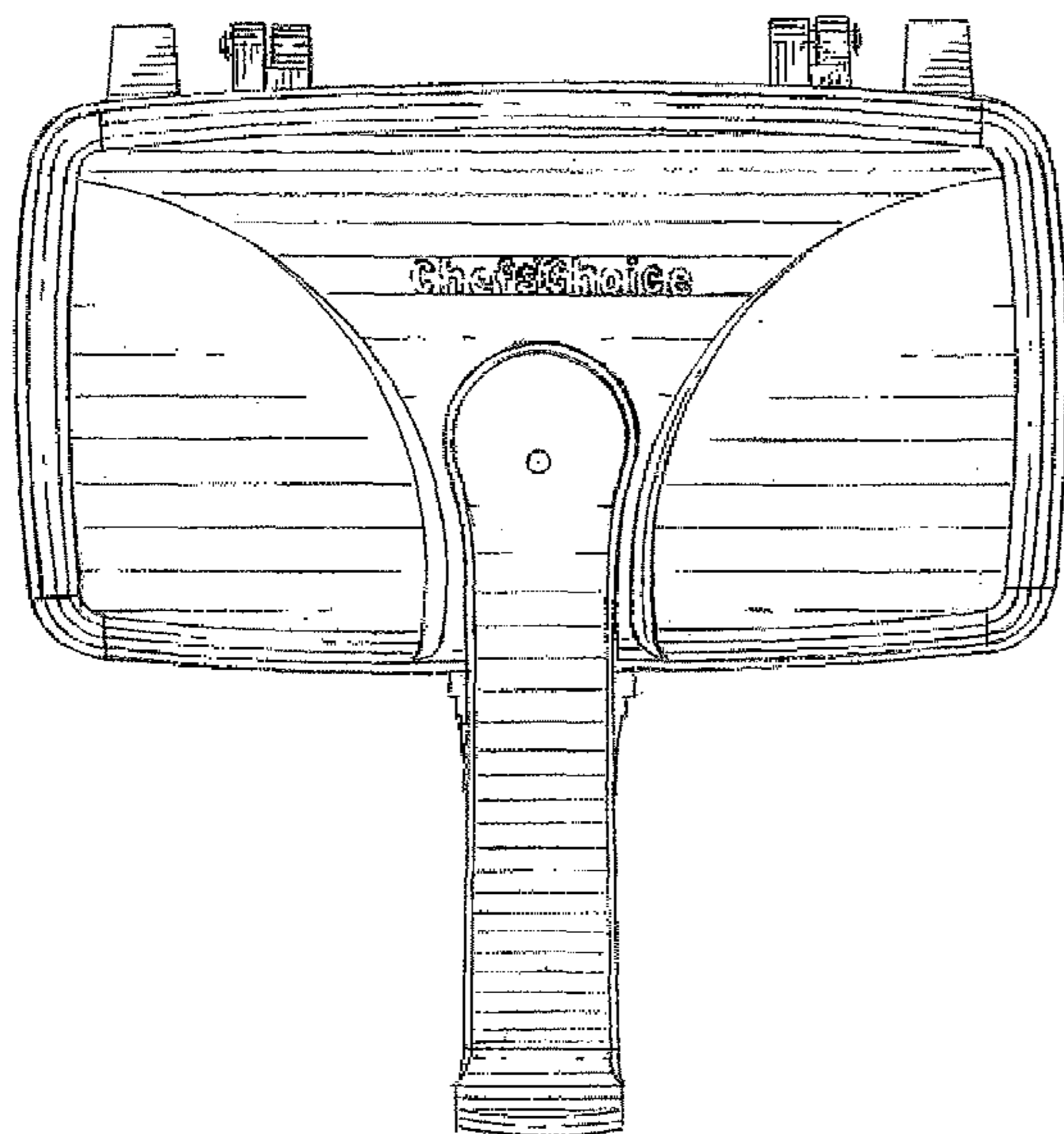
FIG. 3 is a rear elevation view thereof;

FIG. 4 is a left side elevation view thereof;

FIG. 5 is a right side elevation view thereof; and,

FIG. 6 is a bottom plan view thereof.

1 Claim, 2 Drawing Sheets



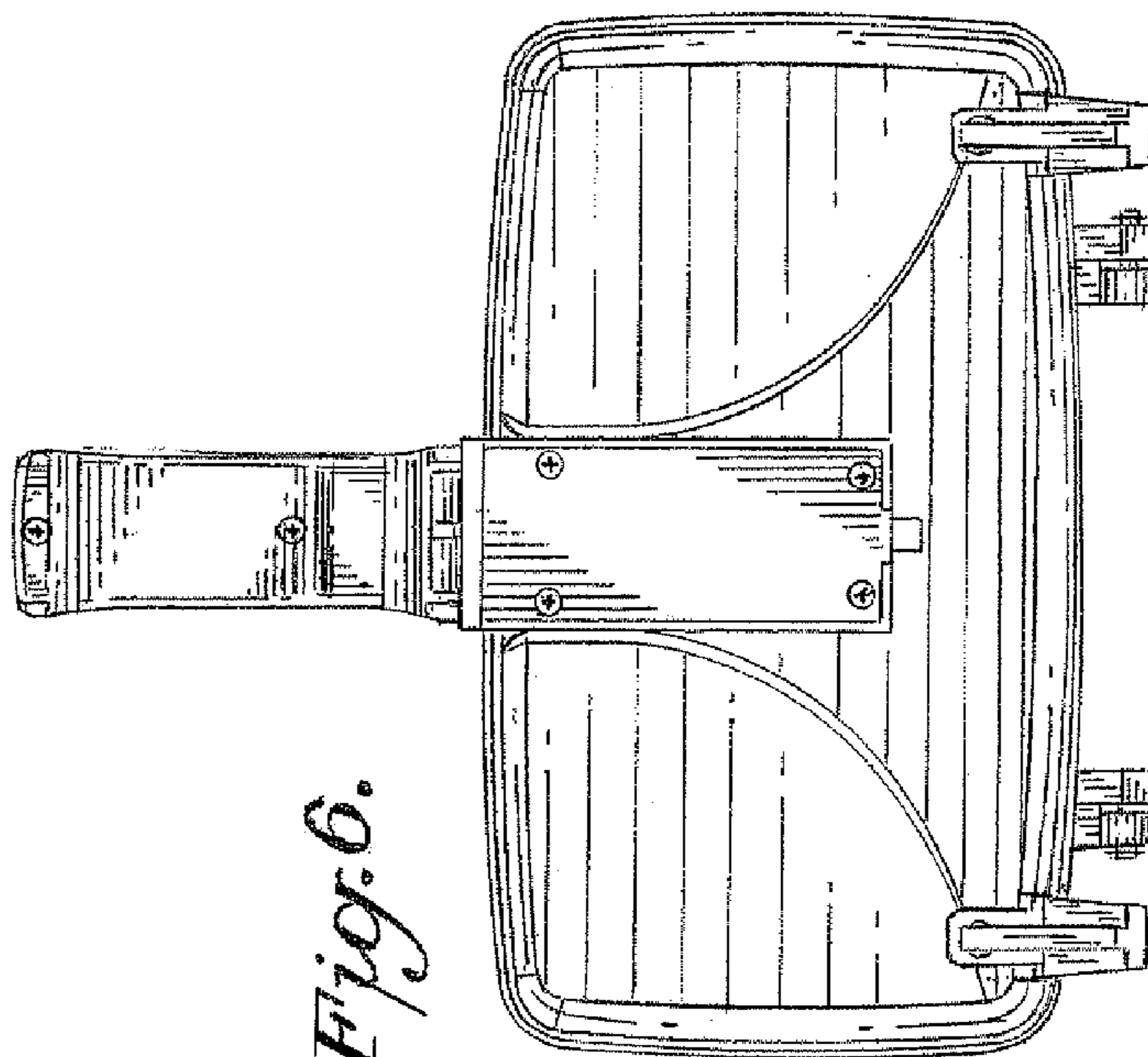
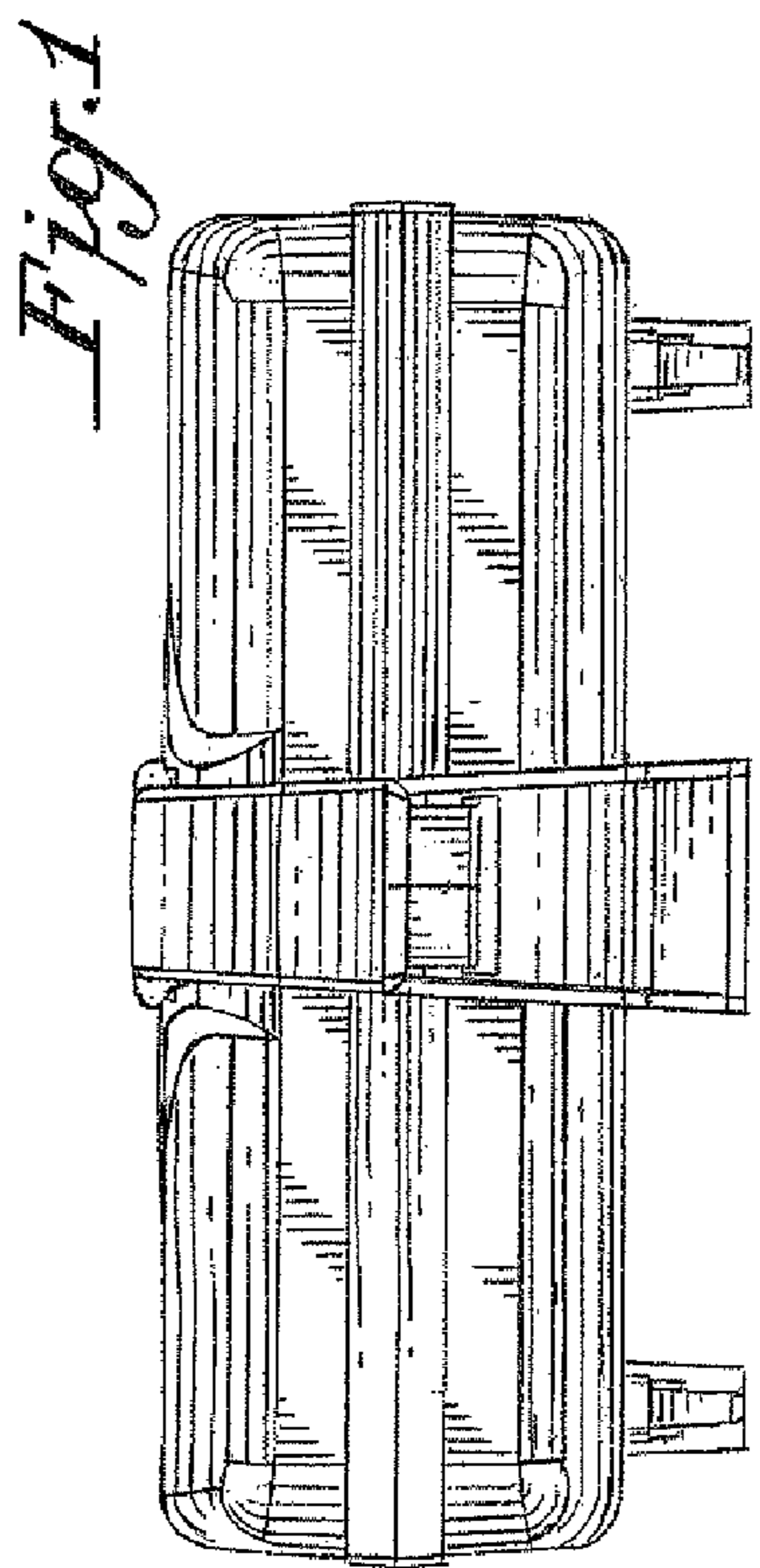
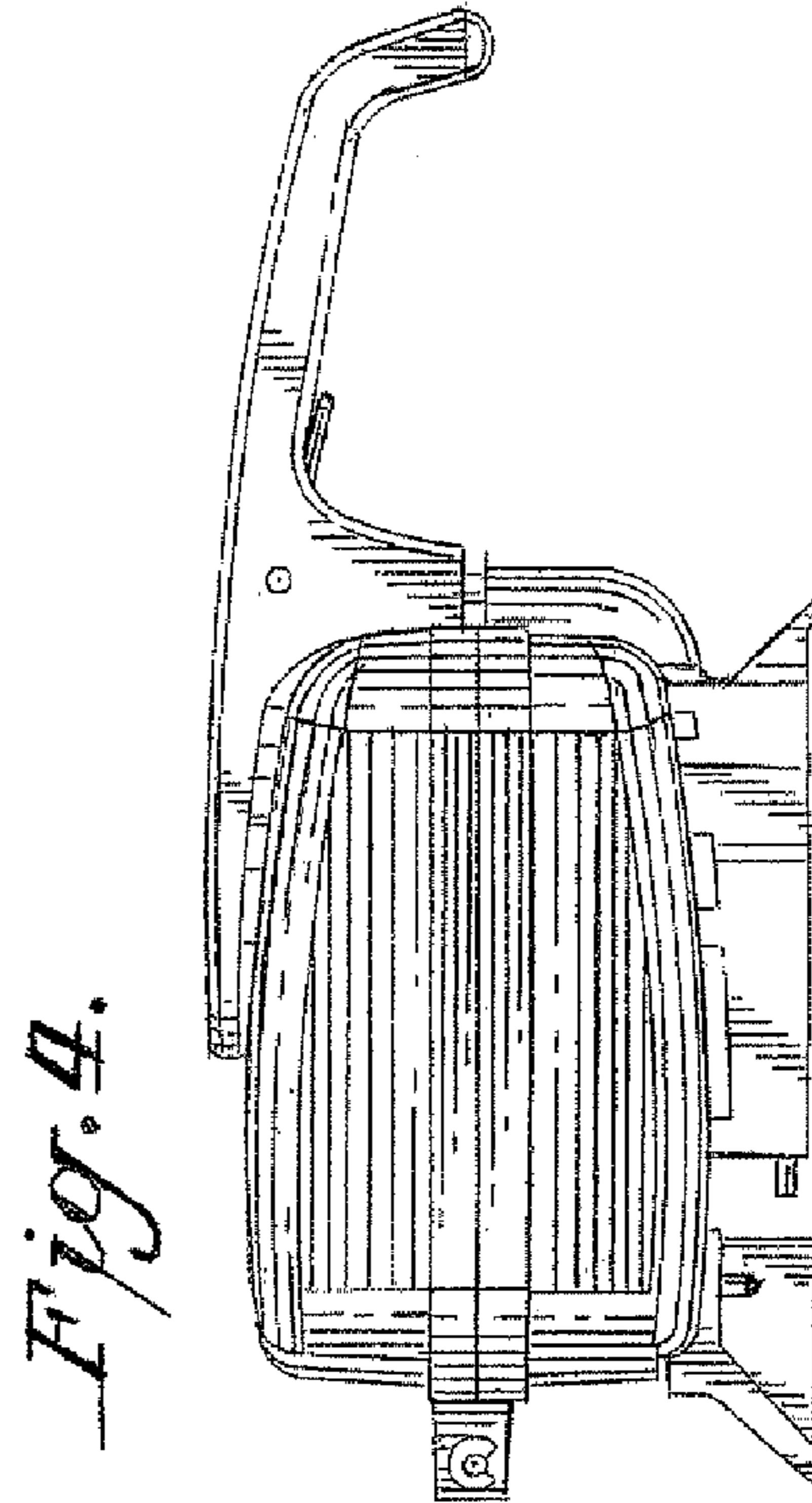
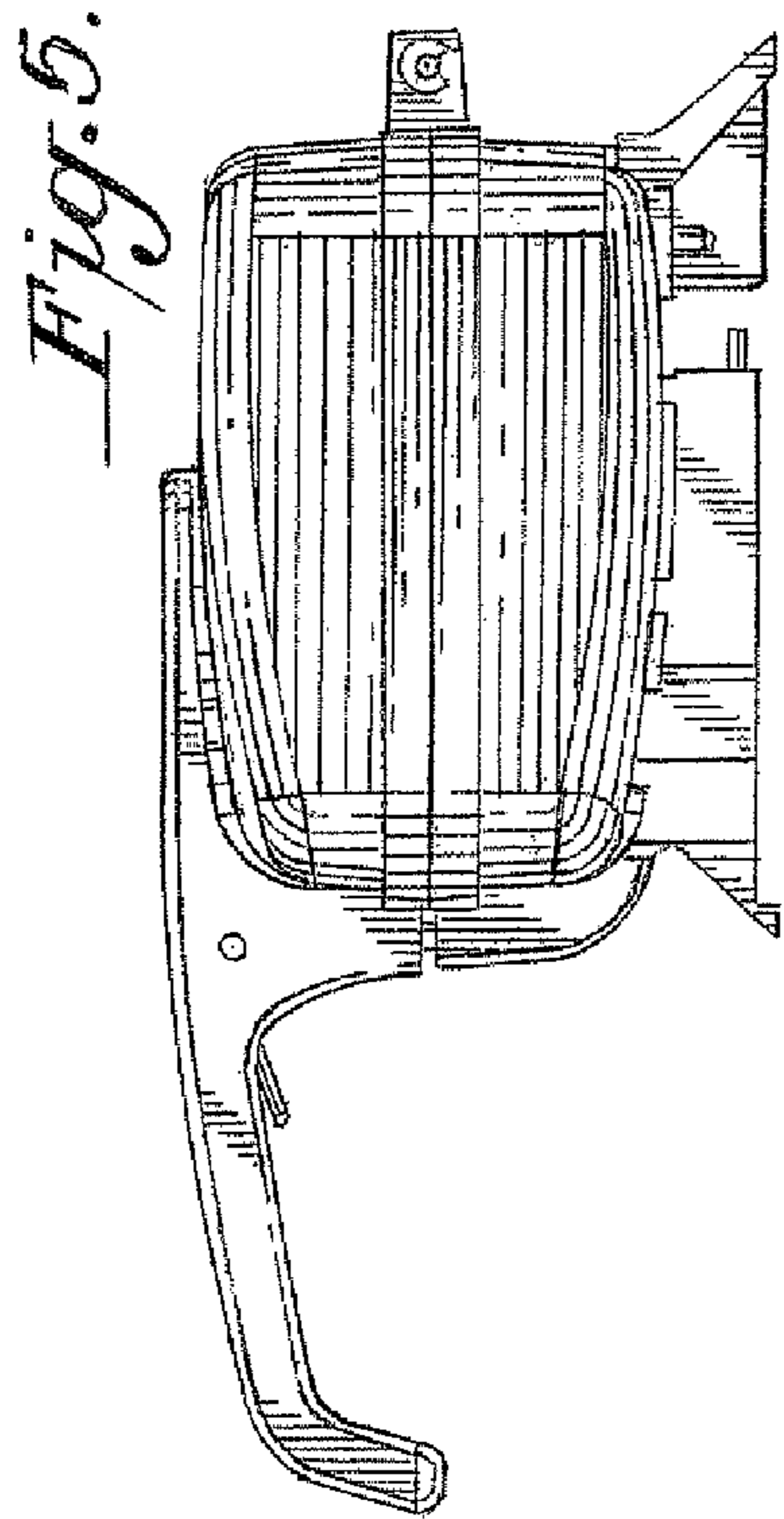


Fig. 2.

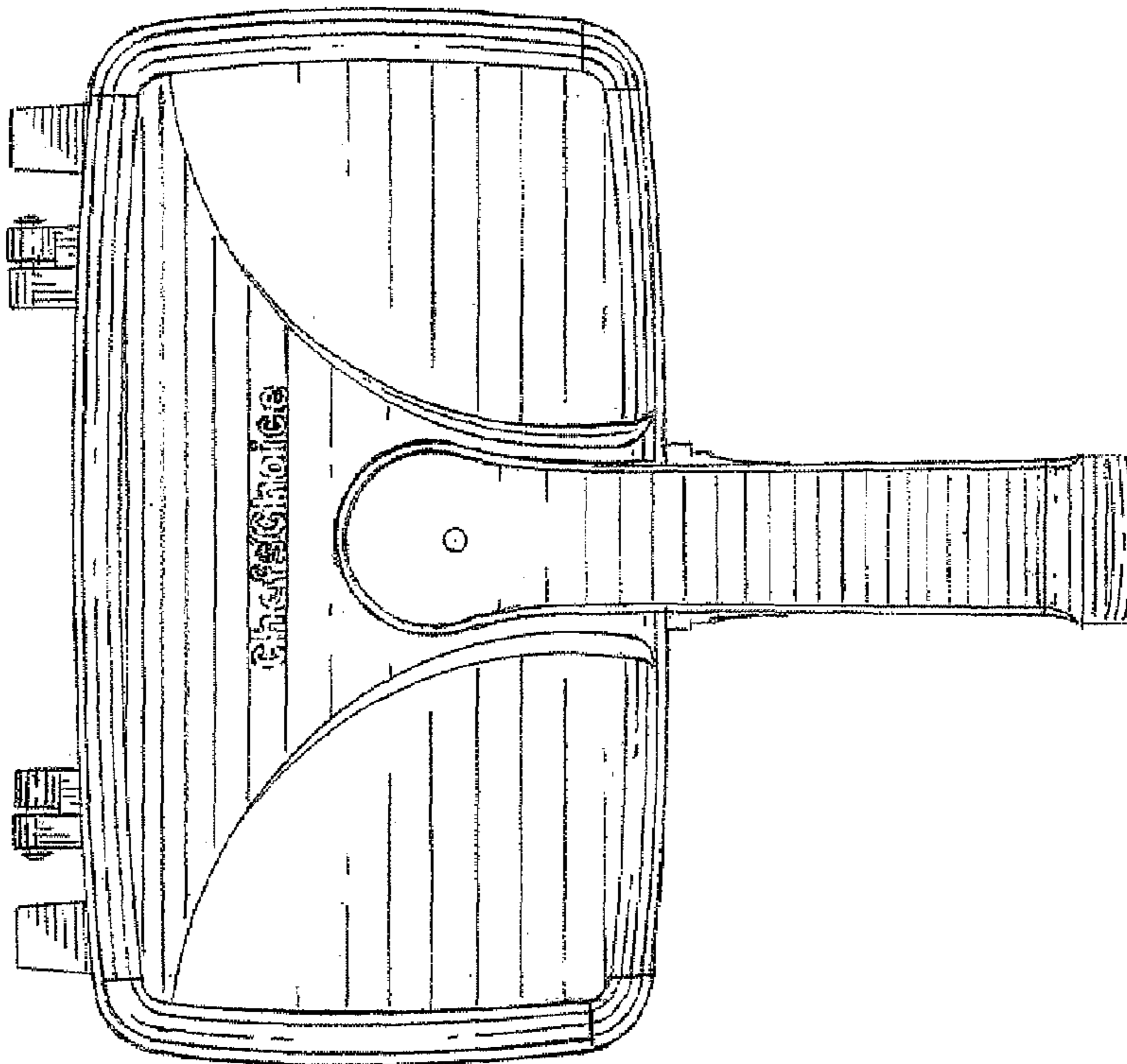


Fig. 3.

