

US00D588393S

(12) **United States Design Patent**
Miller

(10) **Patent No.:** **US D588,393 S**
(45) **Date of Patent:** **** Mar. 17, 2009**

(54) **STADIUM SEAT COVER**

(75) Inventor: **Nikki Miller**, Manhattan, KS (US)

(73) Assignee: **Cushion Seats, Inc.**, Manhattan, KS (US)

(**) Term: **14 Years**

(21) Appl. No.: **29/302,201**

(22) Filed: **Jan. 11, 2008**

(51) **LOC (9) Cl.** **06-13**

(52) **U.S. Cl.** **D6/611**

(58) **Field of Classification Search** D6/611,
D6/610, 616, 615, 334, 491, 500-502, 336,
D6/601; 297/228.1, 228.11, 229, 219.12,
297/220, 224; 5/653; D30/118

See application file for complete search history.

(56) **References Cited**

U.S. PATENT DOCUMENTS

D293,282 S *	12/1987	Ashford	D6/502
5,029,350 A *	7/1991	Edelson	297/229
D328,506 S *	8/1992	McMahon	D30/118
D357,609 S *	4/1995	Webb et al.	D6/501
D360,308 S *	7/1995	Smith et al.	D6/611
D363,951 S *	11/1995	Chatman	D6/334
D369,929 S *	5/1996	Perry	D6/501
D413,733 S *	9/1999	Edmonds	D6/336
D428,720 S *	8/2000	Rutherford	D6/356

D449,947 S *	11/2001	Schoefer	D6/500
D474,934 S *	5/2003	Ildstad et al.	D6/601
6,588,840 B1 *	7/2003	Lombardo	5/653
D553,884 S *	10/2007	Faber et al.	D6/500

* cited by examiner

Primary Examiner—Louis S Zarfaz

Assistant Examiner—David G Muller

(74) *Attorney, Agent, or Firm*—McAndrews, Held & Malloy, Ltd.

(57) **CLAIM**

The ornamental design for a stadium seat cover, substantially as shown and described.

DESCRIPTION

FIG. 1 is a front left perspective view of a stadium seat cover showing my new design;

FIG. 2 is a left side elevation view thereof;

FIG. 3 is a front elevation view thereof;

FIG. 4 is a back elevation view thereof;

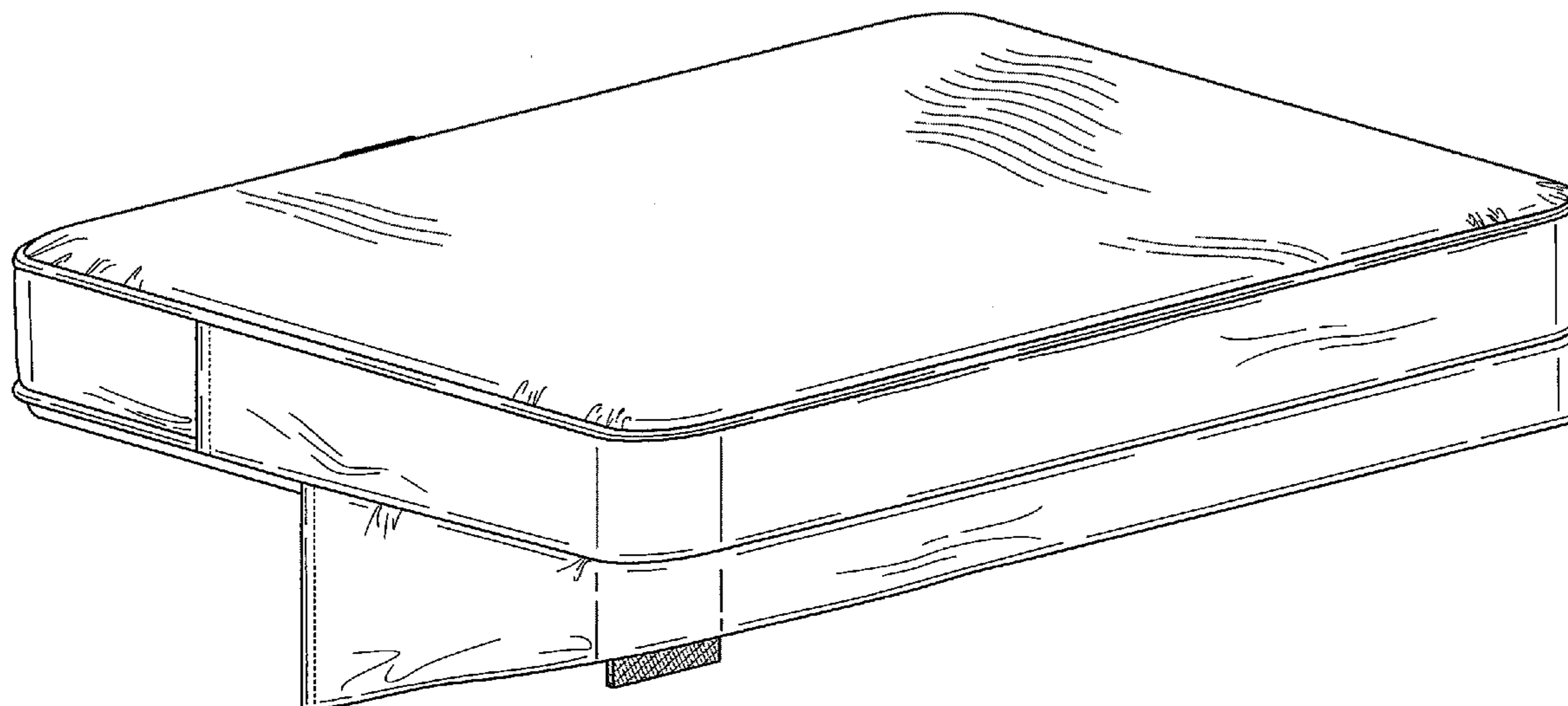
FIG. 5 is a bottom plan view thereof;

FIG. 6 is a top plan view thereof; and,

FIG. 7 is a back left perspective view thereof.

The broken lines in the drawings represent environmental subject matter and form no part of the claimed design.

1 Claim, 5 Drawing Sheets



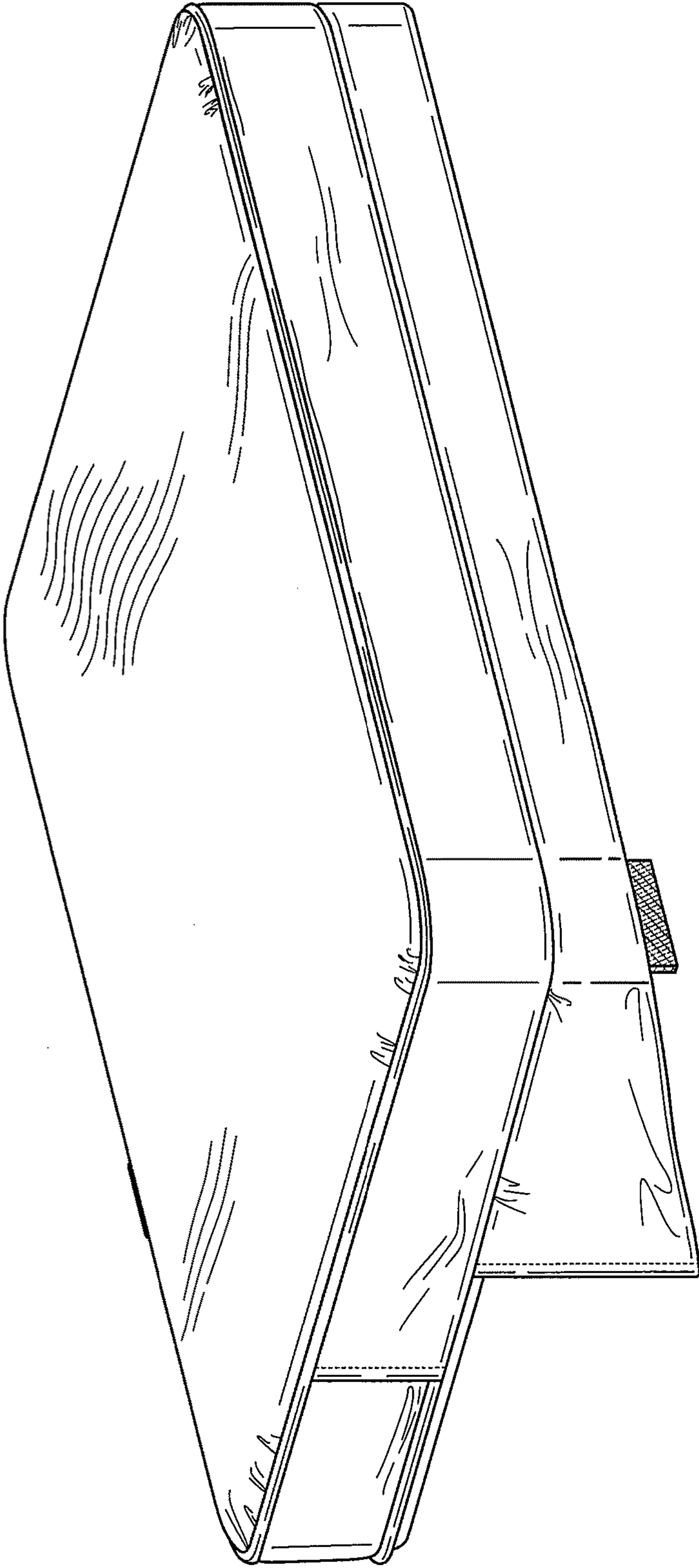


FIG. 1

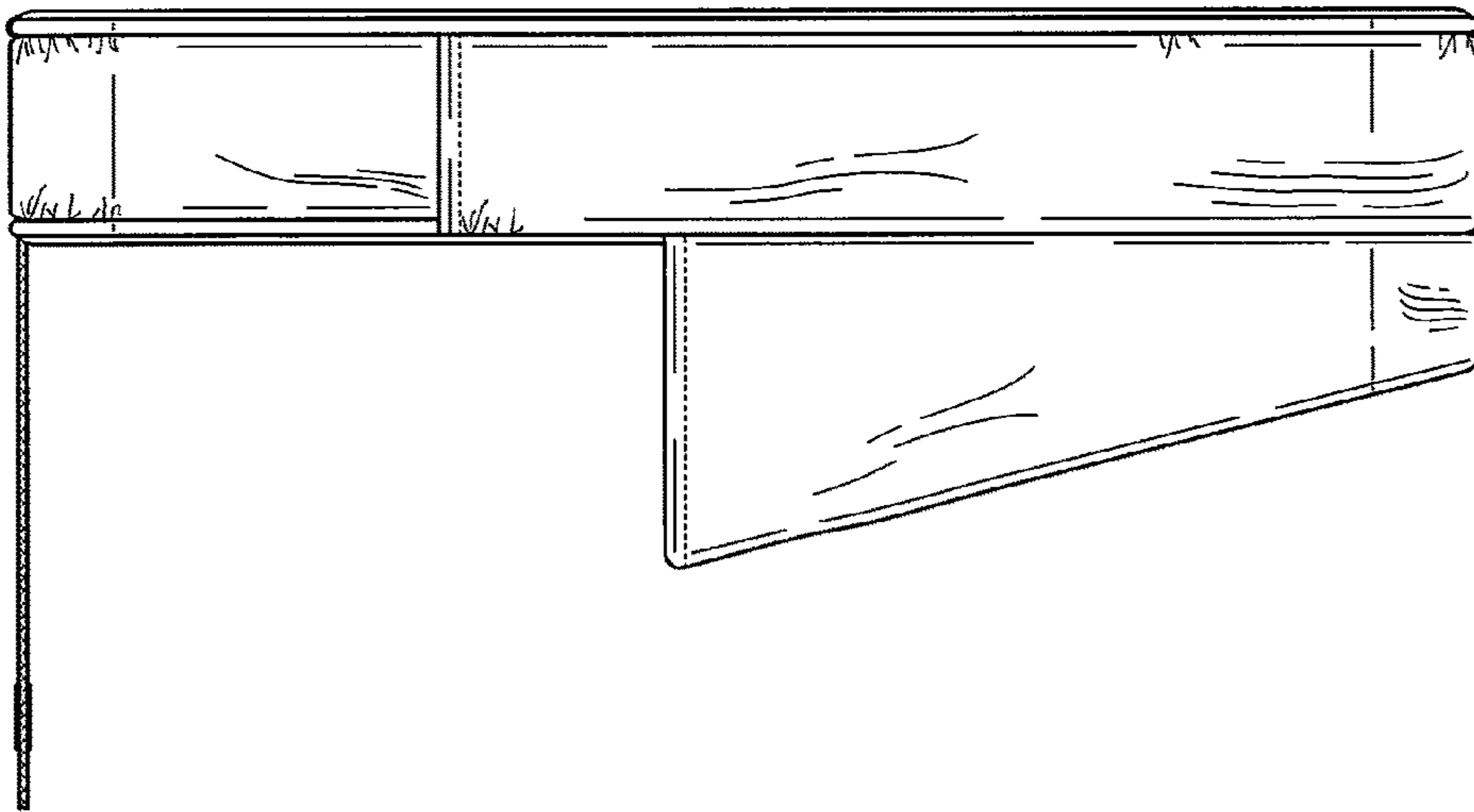


FIG. 2

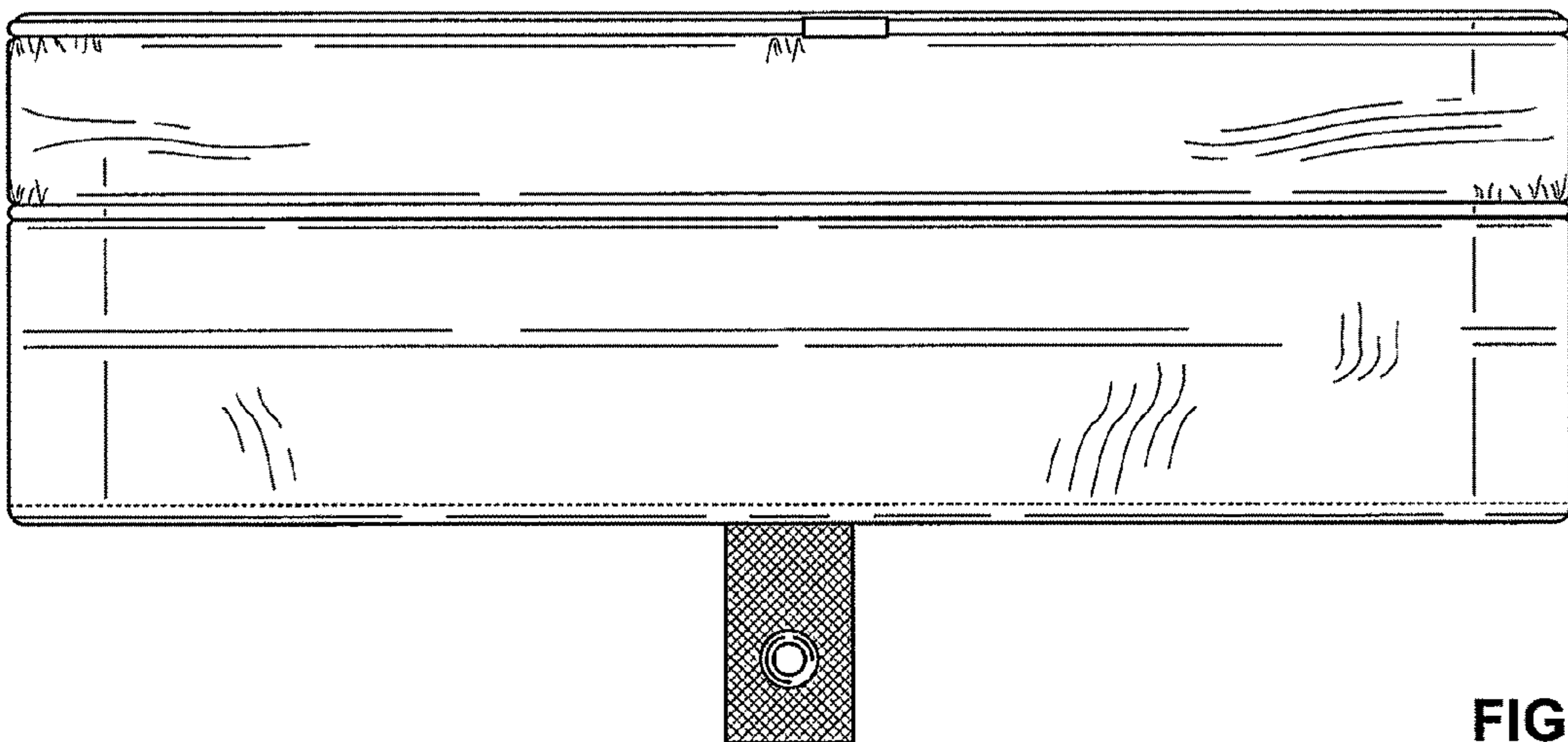


FIG. 3

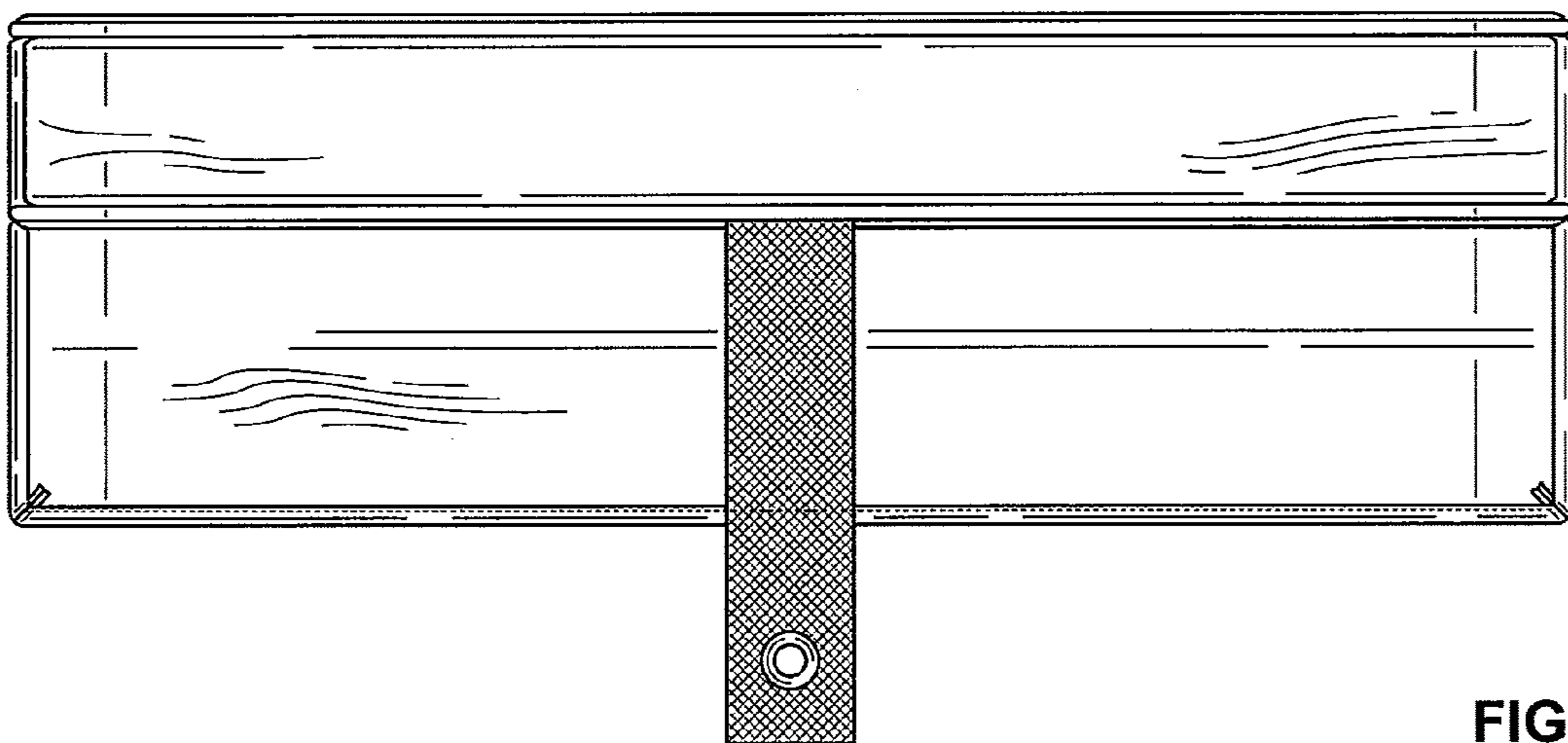


FIG. 4

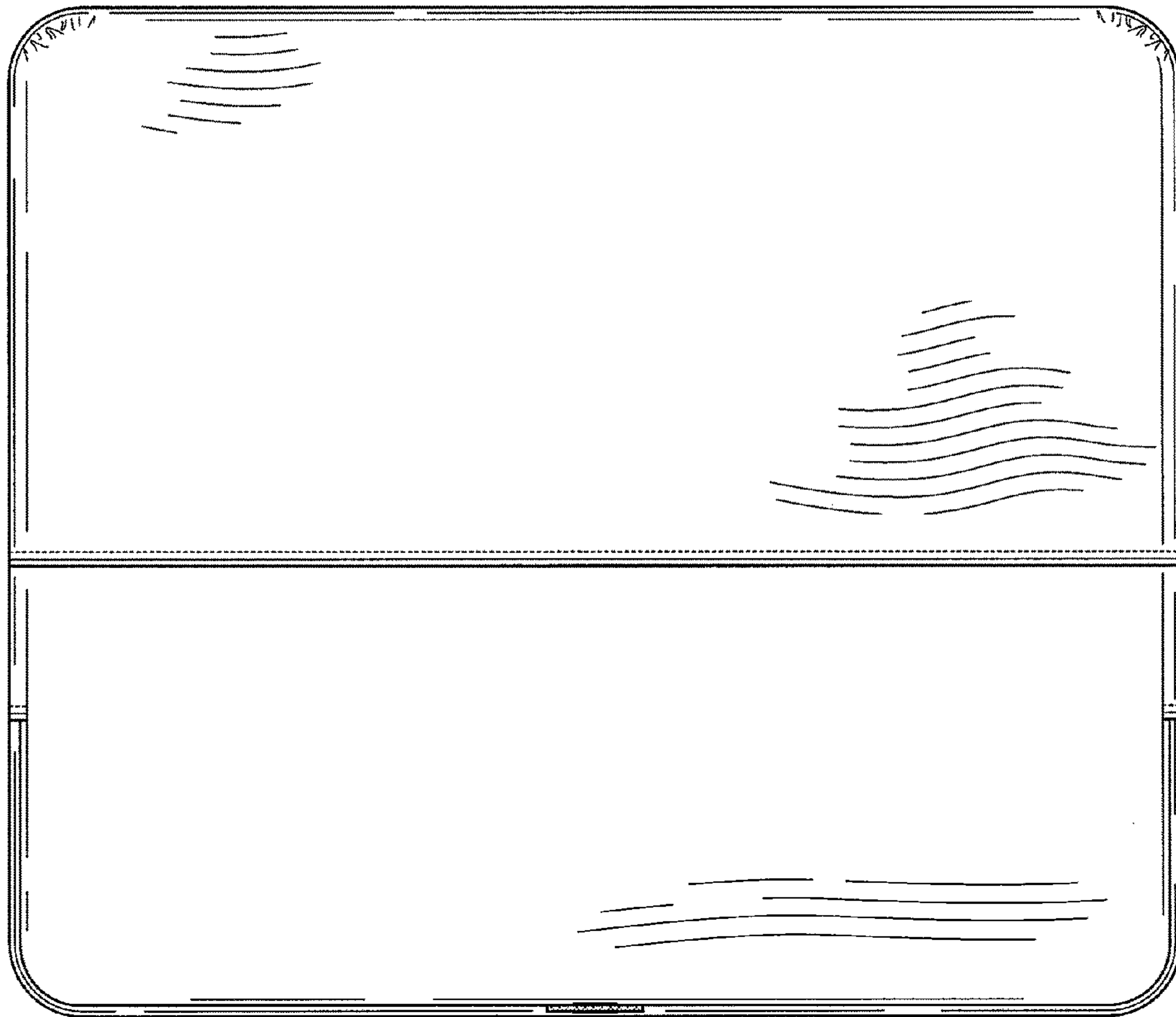


FIG. 5

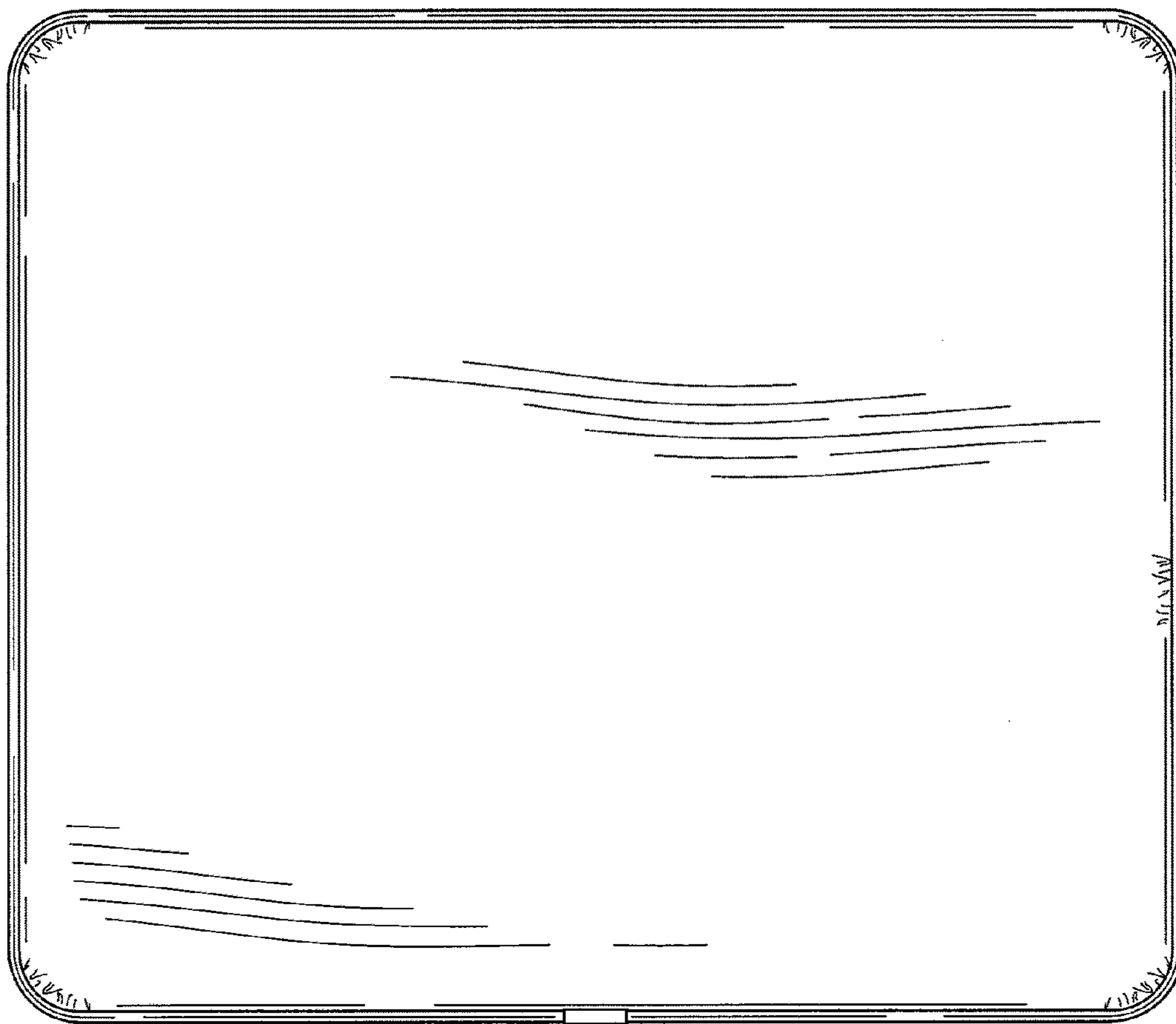


FIG. 6

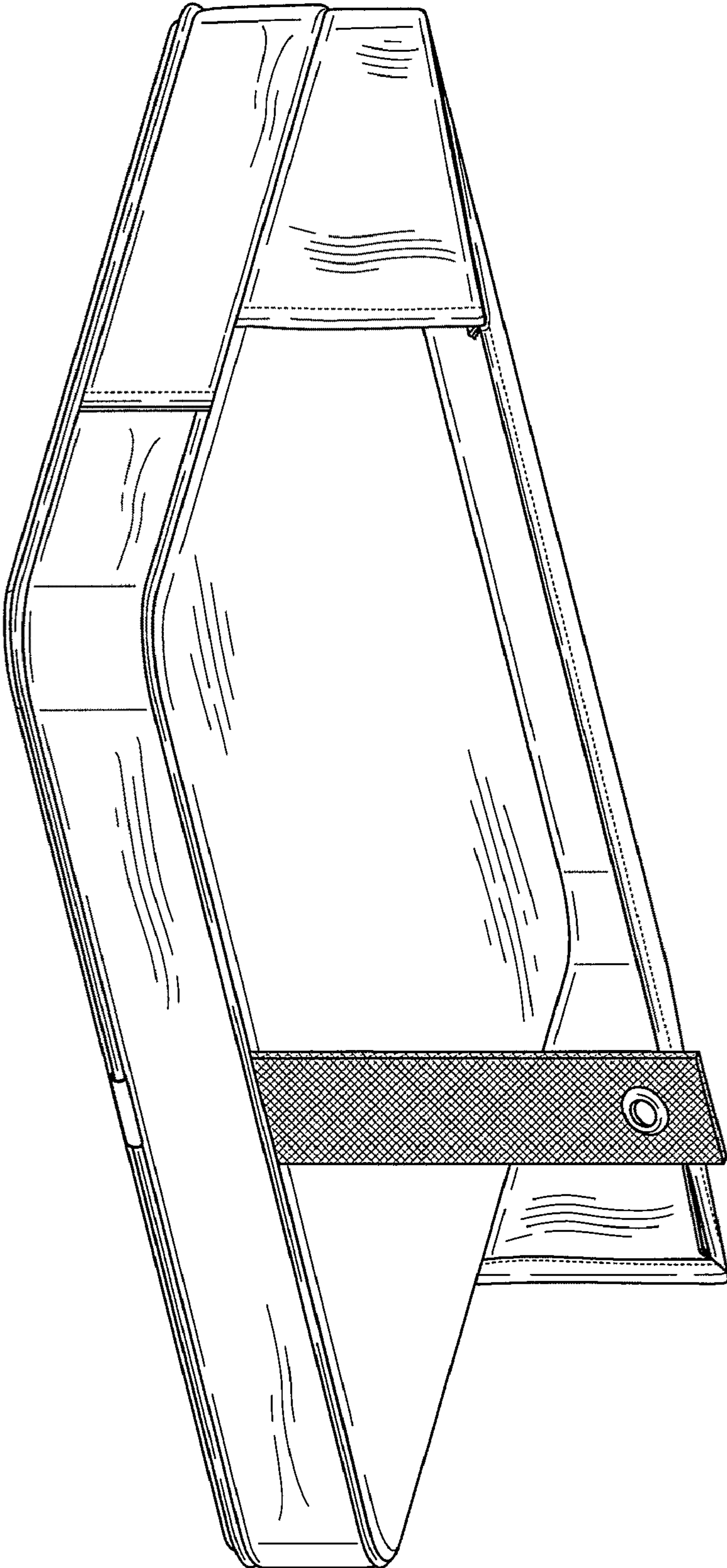


FIG. 7