



US00D588380S

(12) **United States Design Patent**
Bucholz et al.

(10) **Patent No.:** **US D588,380 S**
(45) **Date of Patent:** **** Mar. 17, 2009**

- (54) **TABLE**
- (75) Inventors: **Merritt Bucholz**, Dublin (IE); **Ralf Kampe**, Dublin (IE)
- (73) Assignee: **Bucholz McEvoy Architects Limited**, Dublin (IE)
- (**) Term: **14 Years**
- (21) Appl. No.: **29/294,248**
- (22) Filed: **Dec. 28, 2007**
- (30) **Foreign Application Priority Data**
Jun. 29, 2007 (EM) 000756945-0001
- (51) **LOC (9) Cl.** **03-03**
- (52) **U.S. Cl.** **D6/480**
- (58) **Field of Classification Search** D6/480-489,
D6/495-499, 429-431, 511; 108/150, 153.1,
108/156, 157.1, 161; 248/188, 188.1, 188.8
See application file for complete search history.
- (56) **References Cited**
U.S. PATENT DOCUMENTS
2,615,770 A * 10/1952 Curtis 108/155

- D220,704 S * 5/1971 Kramer D6/484
- D510,492 S * 10/2005 Sakurai et al. D6/495
- D558,489 S * 1/2008 Christensen D6/484
- D558,490 S * 1/2008 Christensen D6/484

* cited by examiner

Primary Examiner—Janice E Seeger

(74) *Attorney, Agent, or Firm*—K & L Gates LLP

(57) **CLAIM**

The ornamental design for a table, as shown and described.

DESCRIPTION

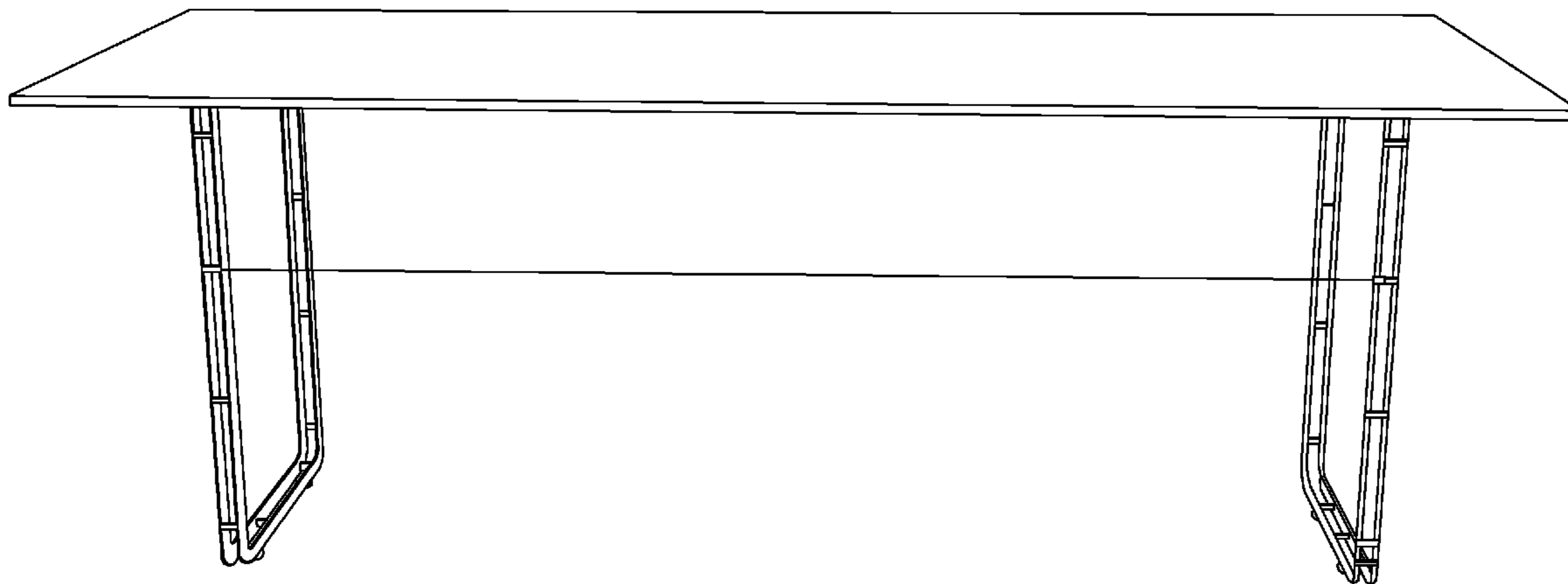
FIG. 1 is a front perspective view of a table, showing our new design;

FIG. 2 is a top perspective view;

FIG. 3 is a side perspective view; and,

FIG. 4 is an end perspective view thereof.

1 Claim, 4 Drawing Sheets



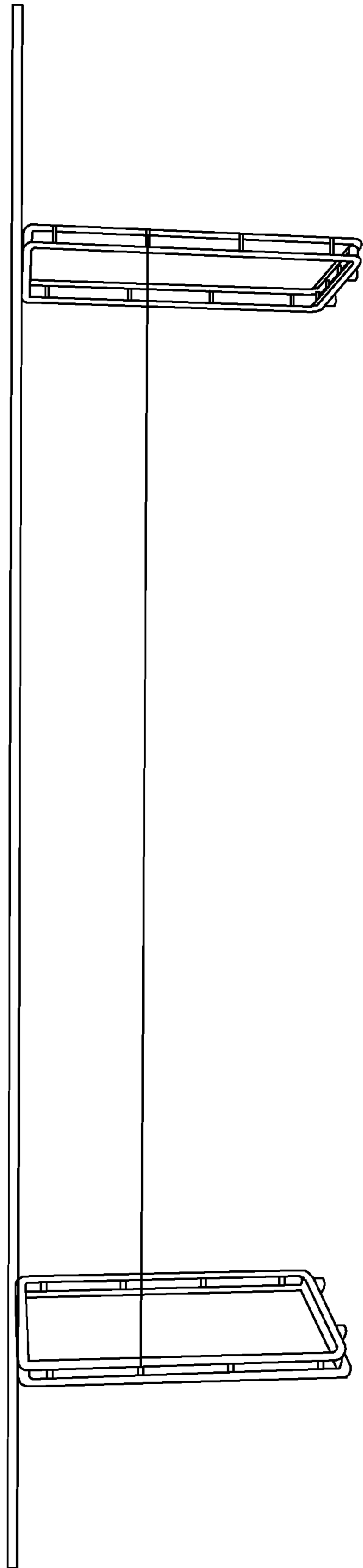


Fig. 1

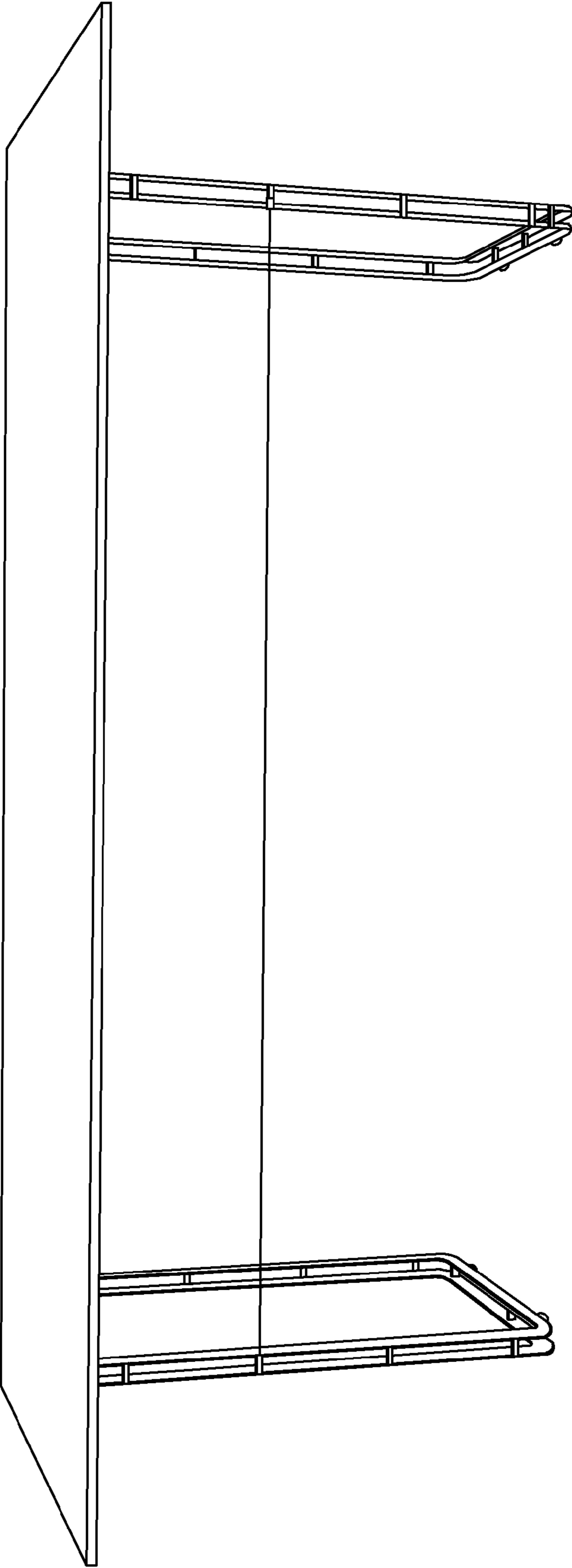
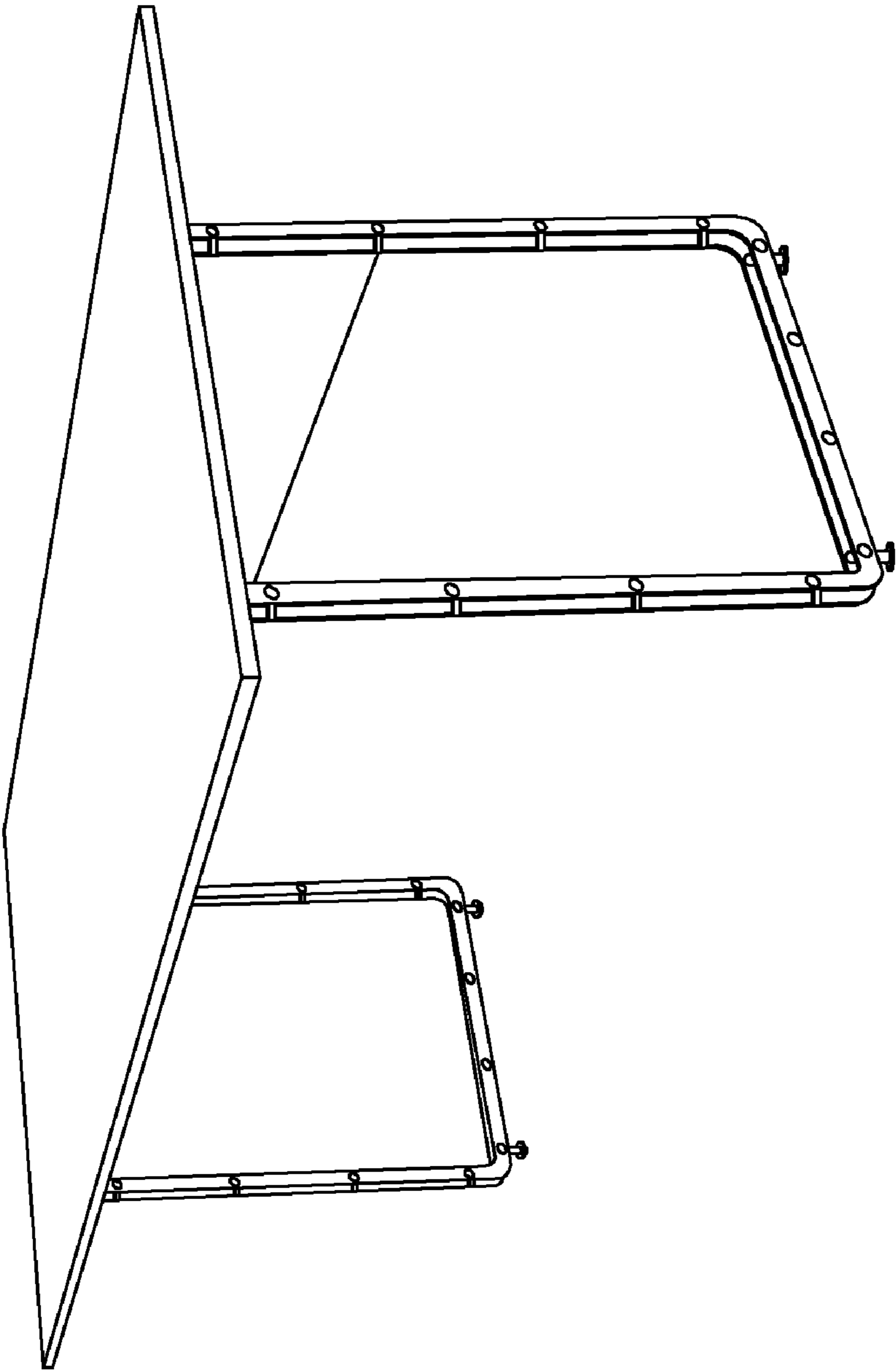


Fig. 2

Fig. 3



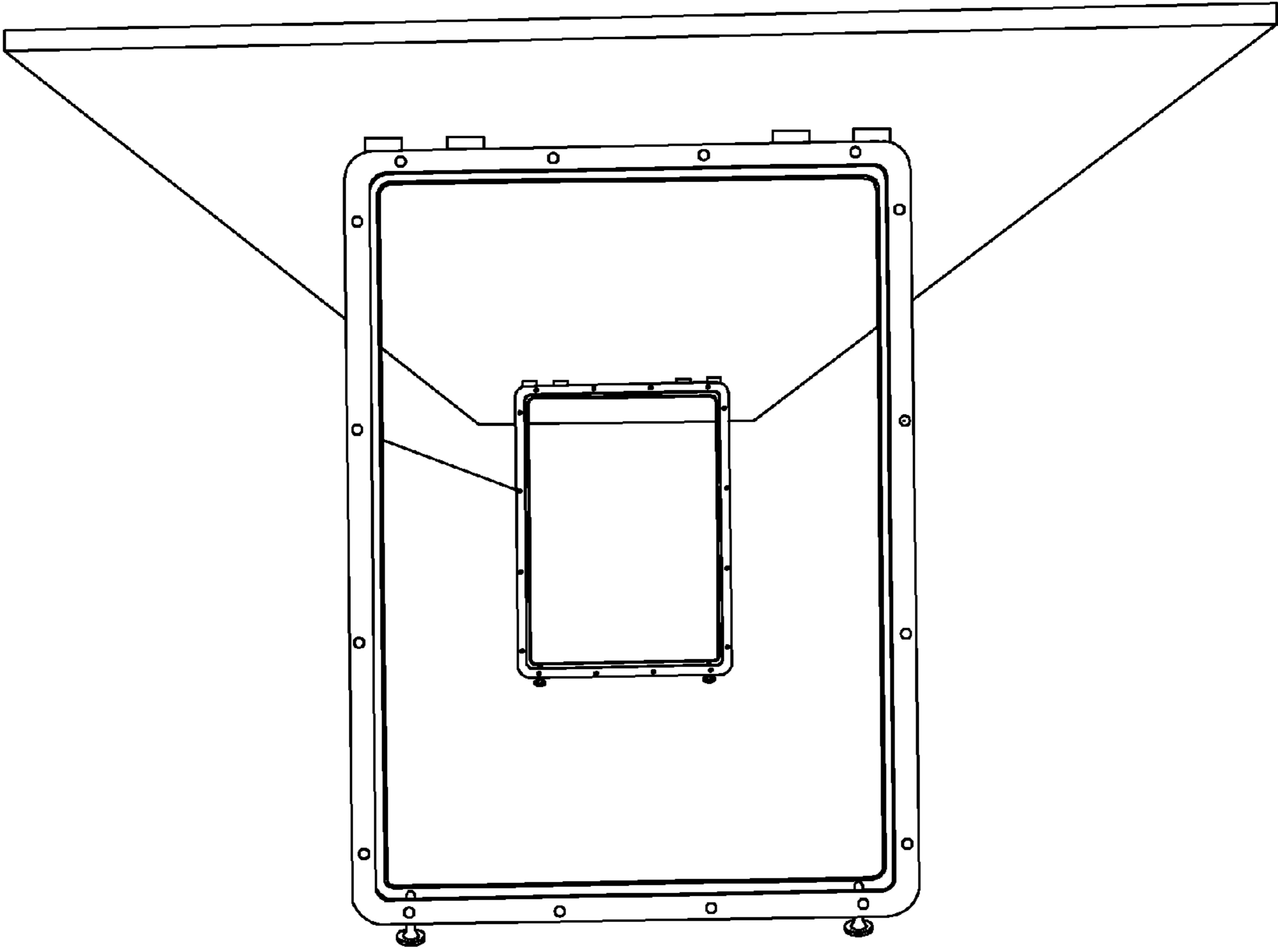


Fig. 4