



US00D588379S

(12) **United States Design Patent**
Chung

(10) **Patent No.:** **US D588,379 S**
(45) **Date of Patent:** **** Mar. 17, 2009**

(54) **3-TIER SPACE SAVER**

(76) Inventor: **Cherng-Shiun Chung**, 18545 E. Gale Ave., City of Industry, CA (US) 91748

(**) Term: **14 Years**

(21) Appl. No.: **29/304,569**

(22) Filed: **Mar. 4, 2008**

(51) **LOC (9) Cl.** **06-04**

(52) **U.S. Cl.** **D6/479**

(58) **Field of Classification Search** D6/477-479,
D6/630; 108/59, 64, 91-93, 107, 144.11,
108/147.11, 147.12; 21/13.1, 42-43, 49.1,
21/134, 187-190

See application file for complete search history.

(56) **References Cited**

U.S. PATENT DOCUMENTS

D236,054 S *	7/1975	Ginat	D6/479
4,940,150 A *	7/1990	Spengler	211/188
D405,630 S *	2/1999	Wohlford	D6/479
D455,030 S *	4/2002	Harwanko	D6/479
D456,179 S *	4/2002	Ferrer Beltran	D6/479
D456,640 S *	5/2002	Harwanko	D6/479
D483,581 S *	12/2003	Chang	D6/479
D491,386 S *	6/2004	Sexton	D6/479

D491,754 S *	6/2004	Harwanko	D6/479
D497,497 S *	10/2004	Harwanko	D6/479
D505,804 S *	6/2005	Chen	D6/436
D522,278 S *	6/2006	O'Reilly	D6/479
D527,208 S *	8/2006	Malizia	D6/479
D560,933 S *	2/2008	Sexton	D6/479

* cited by examiner

Primary Examiner—Elizabeth A Albert

Assistant Examiner—Kelley A Donnelly

(74) *Attorney, Agent, or Firm*—Jen-Feng Lee, Esq.

(57) **CLAIM**

I claim the ornamental design for a 3-tier space saver, as shown and described.

DESCRIPTION

FIG. 1 shows the perspective view of a 3-tier space saver showing my new design,

FIG. 2 shows the front view thereof,

FIG. 3 shows the rear side view thereof,

FIG. 4 shows the right side view thereof,

FIG. 5 shows the left view thereof; and,

FIG. 6 shows the top plan view thereof.

1 Claim, 6 Drawing Sheets

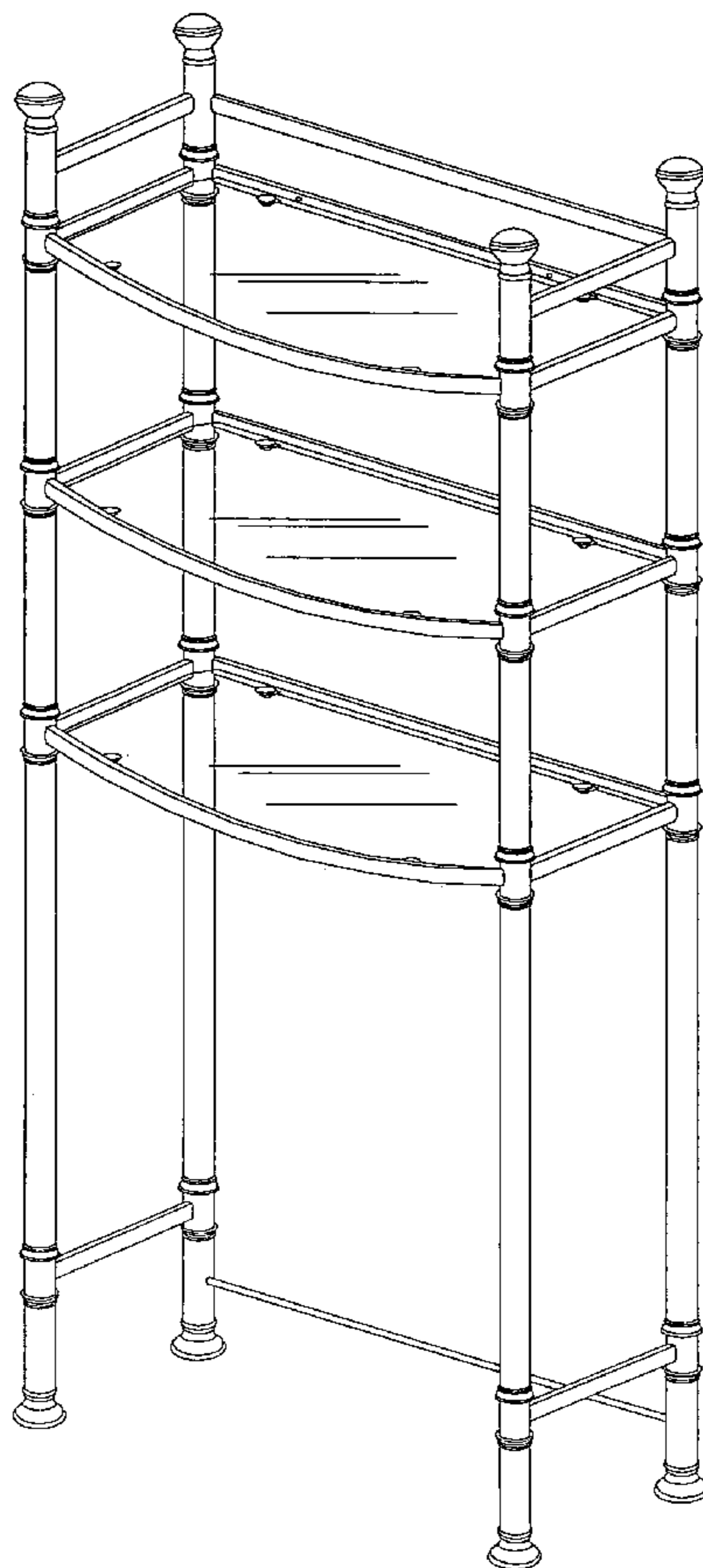


Figure 1

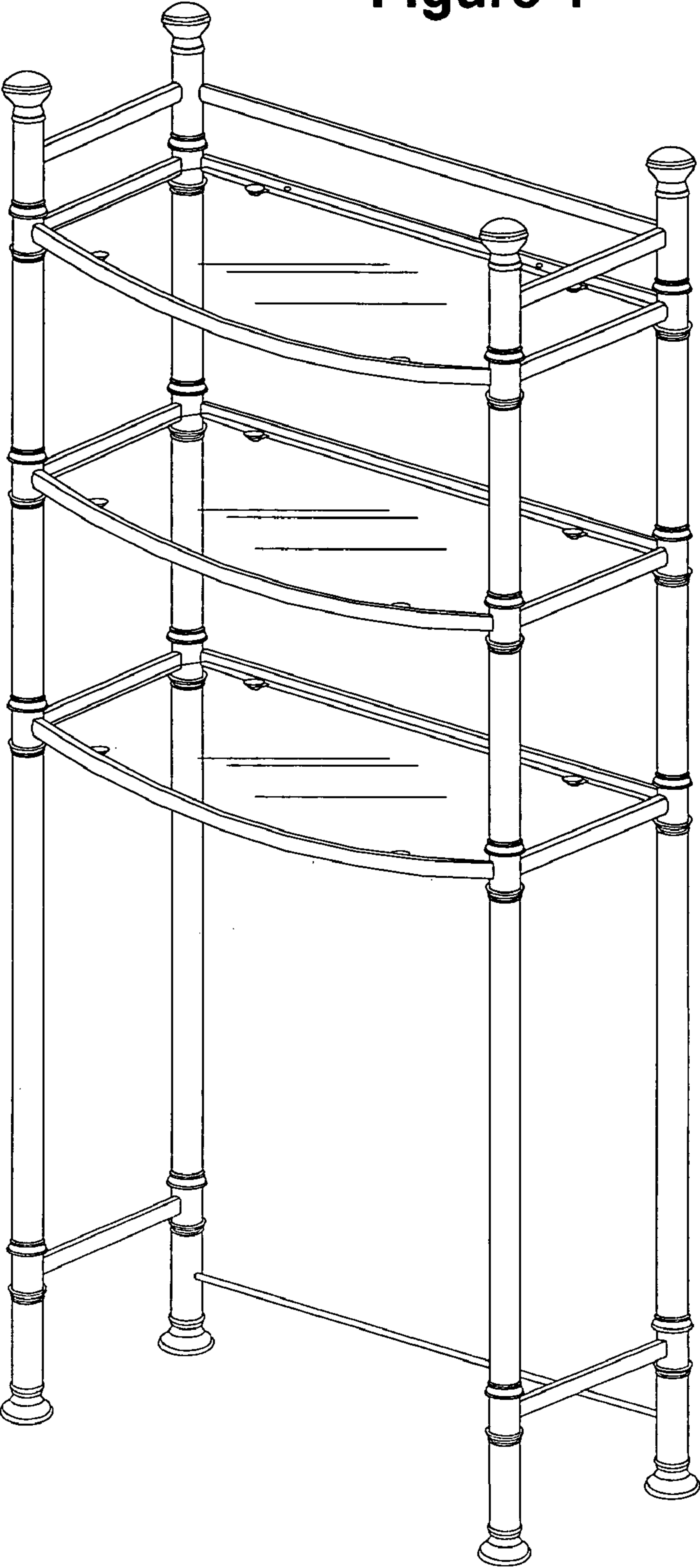


Figure 2

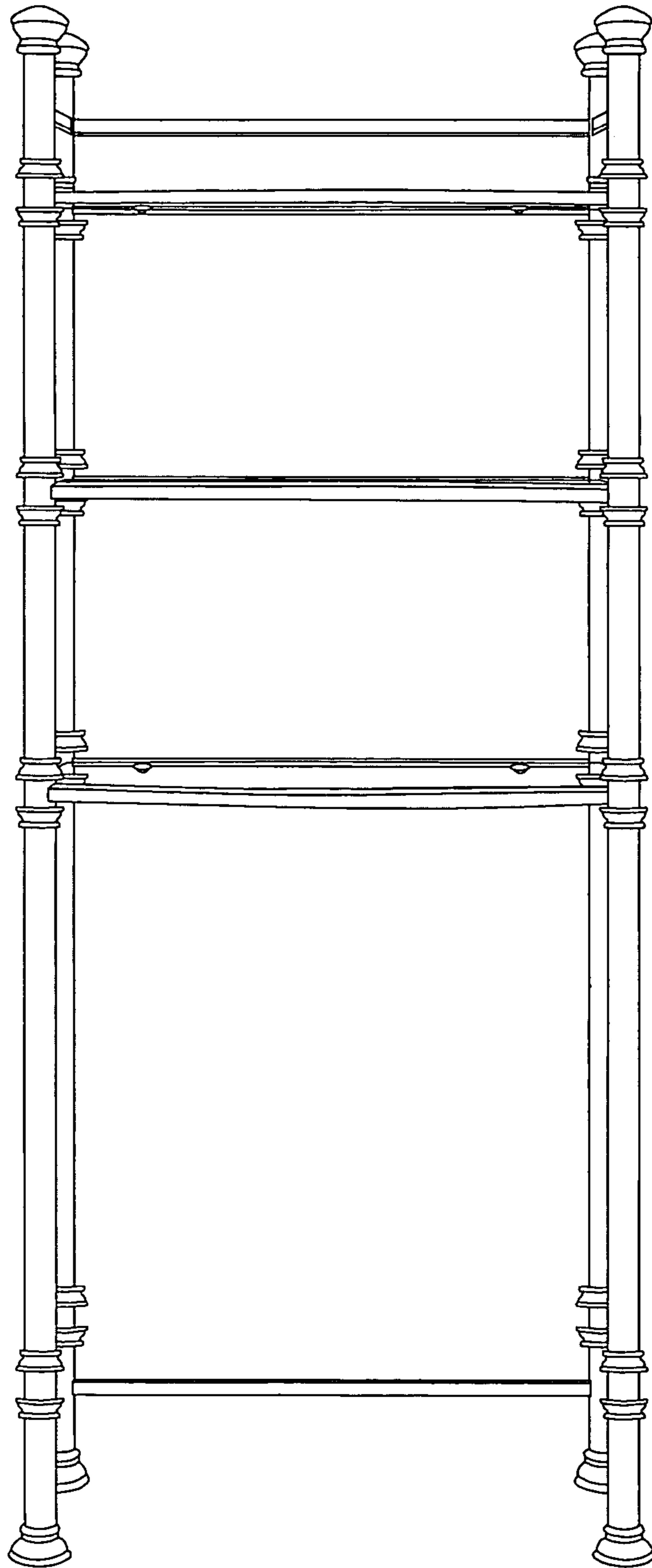


Figure 3

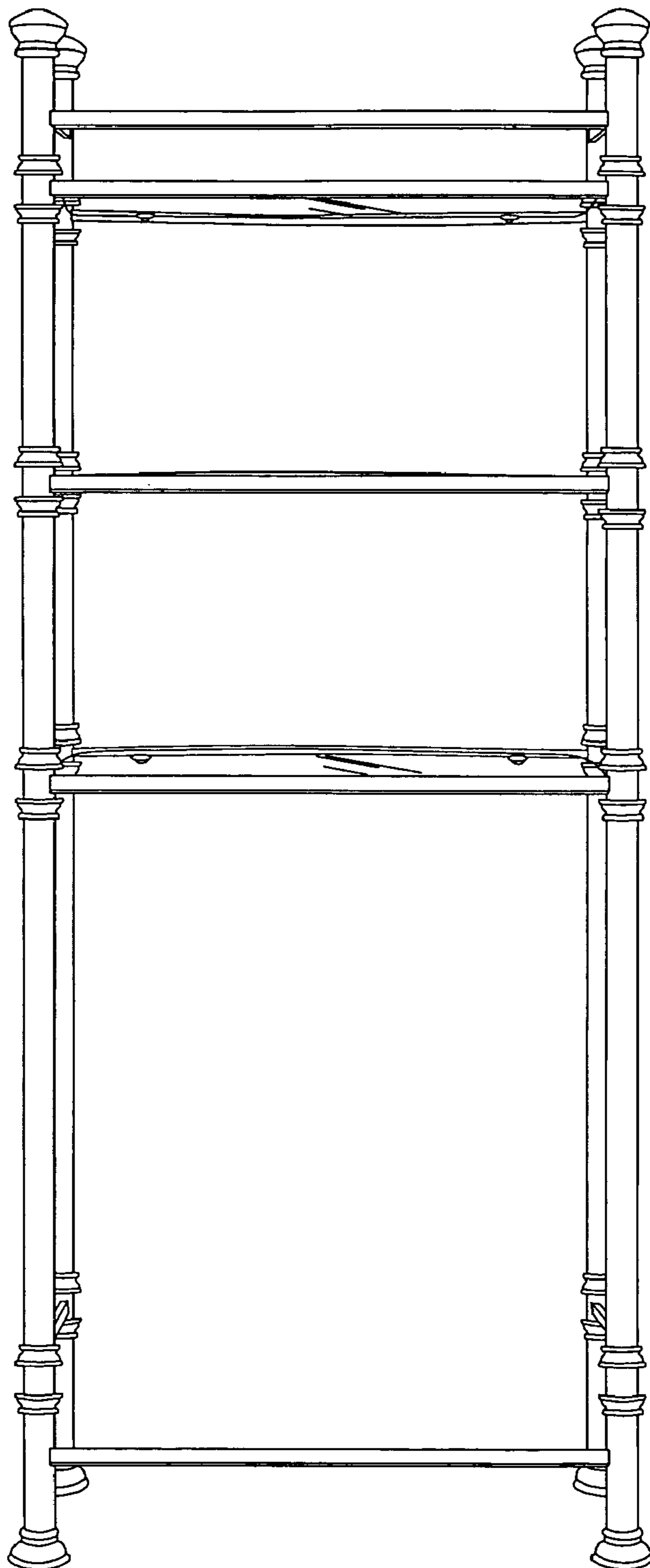


Figure 4

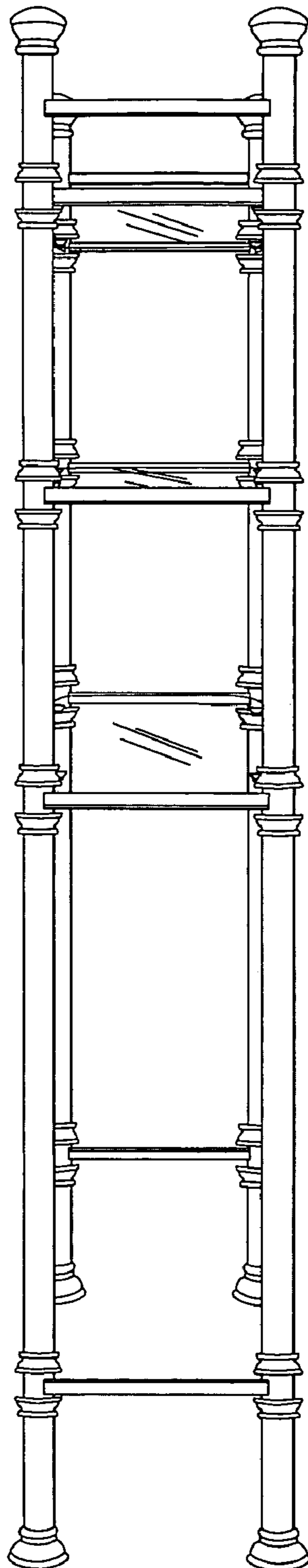


Figure 5

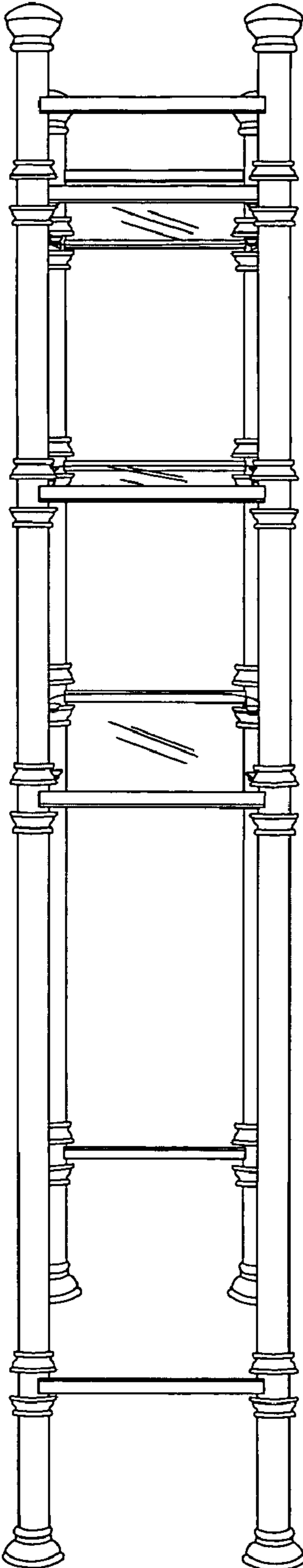


Figure 6

