



US00D588378S

(12) **United States Design Patent**
Goodman et al.

(10) **Patent No.:** **US D588,378 S**
(45) **Date of Patent:** **** Mar. 17, 2009**

(54) **KITCHEN ORGANIZER**

(75) Inventors: **Sheldon H. Goodman**, Solon, OH (US);
Omer I. Sazir, Cleveland, OH (US)

(73) Assignee: **Spectrum Diversified Designs, Inc.**,
Streetsboro, OH (US)

(**) Term: **14 Years**

(21) Appl. No.: **29/306,392**

(22) Filed: **Apr. 9, 2008**

(51) **LOC (9) Cl.** **06-06**

(52) **U.S. Cl.** **D6/462**

(58) **Field of Classification Search** D6/462,
D6/407, 566, 630, 317, 396-397, 464, 465,
D6/477-479, 474; 211/85.3, 40, 13.1, 86.01,
211/87.01, 90.01, 90.03, 134, 153, 181.1,
211/188; 248/91, 153, 235, 243

See application file for complete search history.

(56) **References Cited**

U.S. PATENT DOCUMENTS

D27,604 S *	8/1897	Scott	D6/463
2,222,831 A *	11/1940	Bitney	248/91
2,299,780 A *	10/1942	Wolf	211/85.3
D231,178 S *	4/1974	Wright	D6/407
D334,493 S *	4/1993	Penar	D6/462
D380,638 S *	7/1997	Cohen et al.	D6/566

D444,020 S *	6/2001	Muth	D6/630
D568,056 S *	5/2008	Yarborough	D6/317
D572,939 S *	7/2008	Murray	D6/462
2005/0023230 A1 *	2/2005	Lin	211/40

* cited by examiner

Primary Examiner—Caron Veynar

Assistant Examiner—Sydney R Buffalow

(74) *Attorney, Agent, or Firm*—Pearne & Gordon LLP

(57) **CLAIM**

The ornamental design for a kitchen organizer, as shown and described.

DESCRIPTION

FIG. 1 is a perspective view of a kitchen organizer showing our new design;

FIG. 2 is a front elevational view thereof;

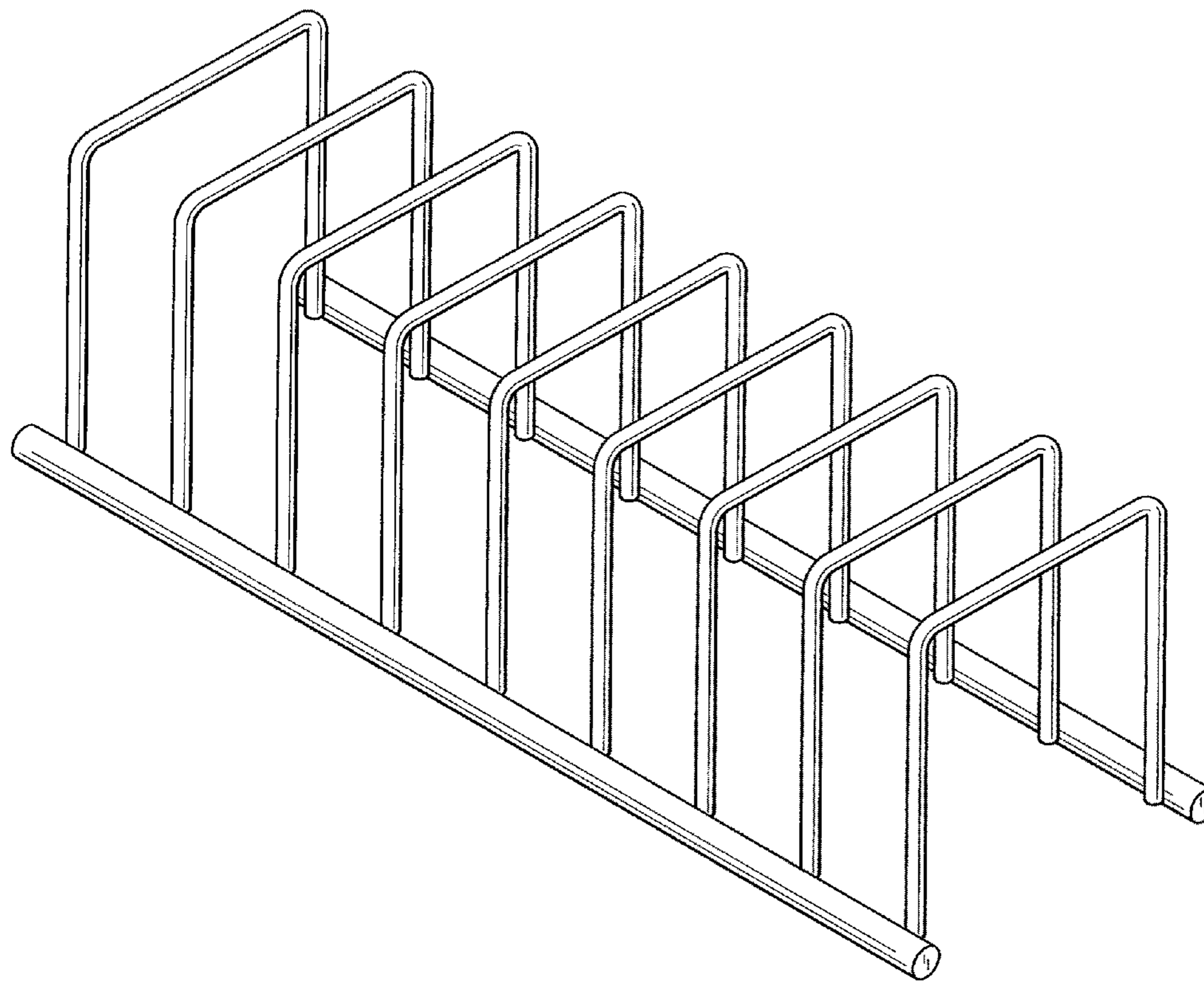
FIG. 3 is a side elevational view thereof;

FIG. 4 is a top plan view thereof;

FIG. 5 is a bottom plan view thereof; and,

FIG. 6 is a perspective view of a second embodiment of a kitchen organizer. The jagged broken lines form no part of the claimed design and the subject matter between the jagged lines is broken away to disclose indeterminate width and that the kitchen organizer may be wider, with additional uniformly spaced identically shaped dividers.

1 Claim, 3 Drawing Sheets



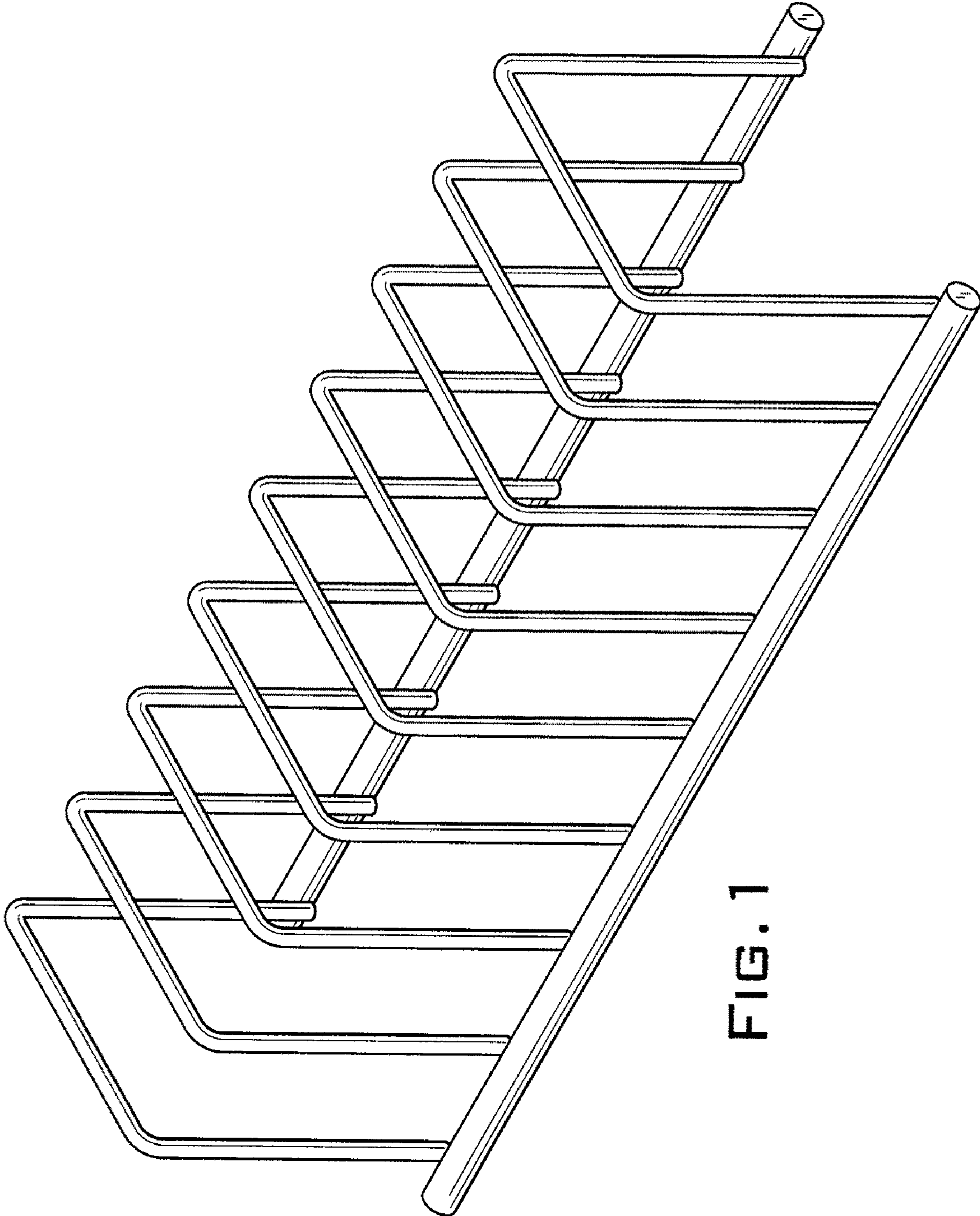


FIG. 1

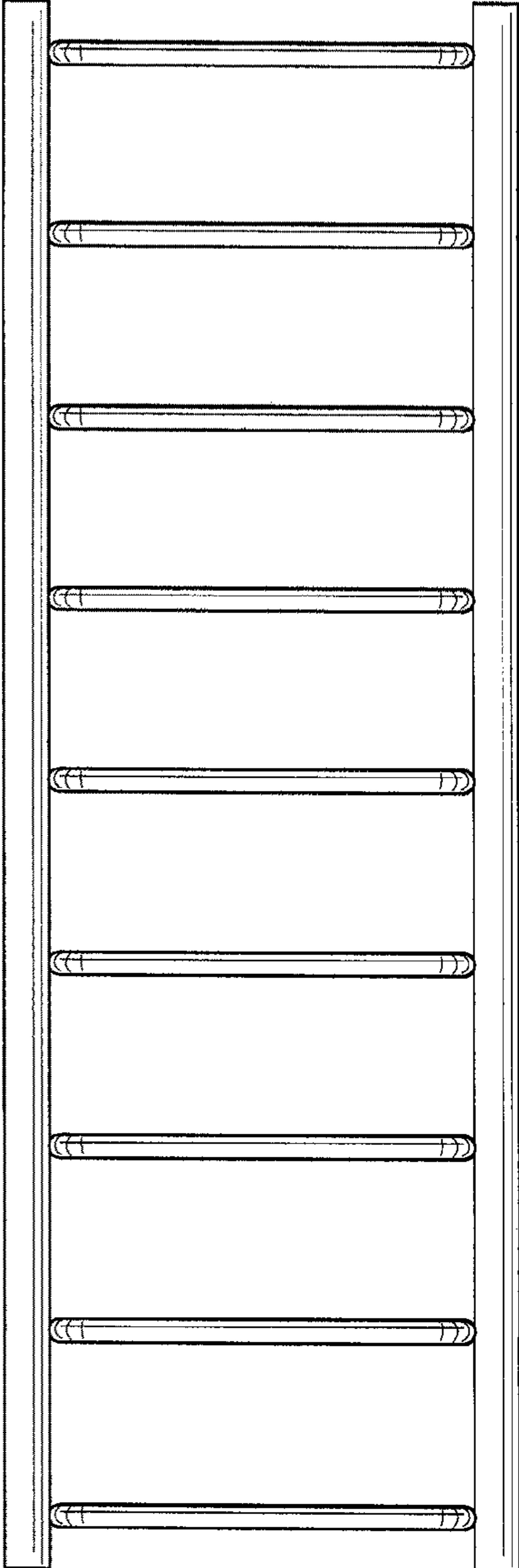


FIG. 4

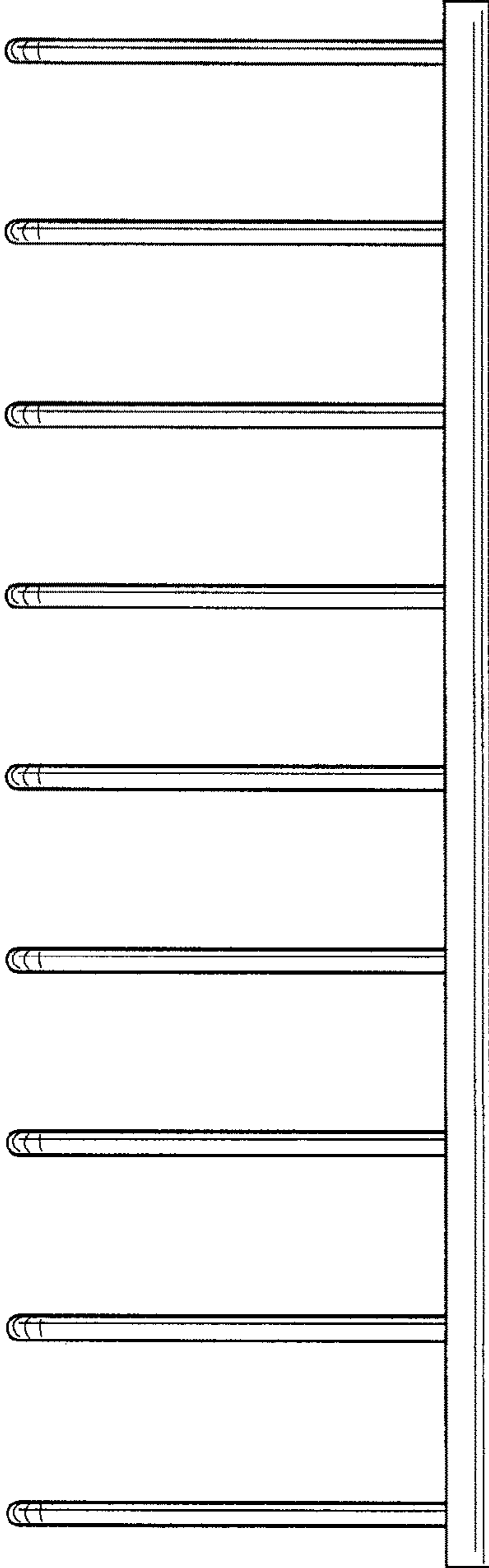


FIG. 2

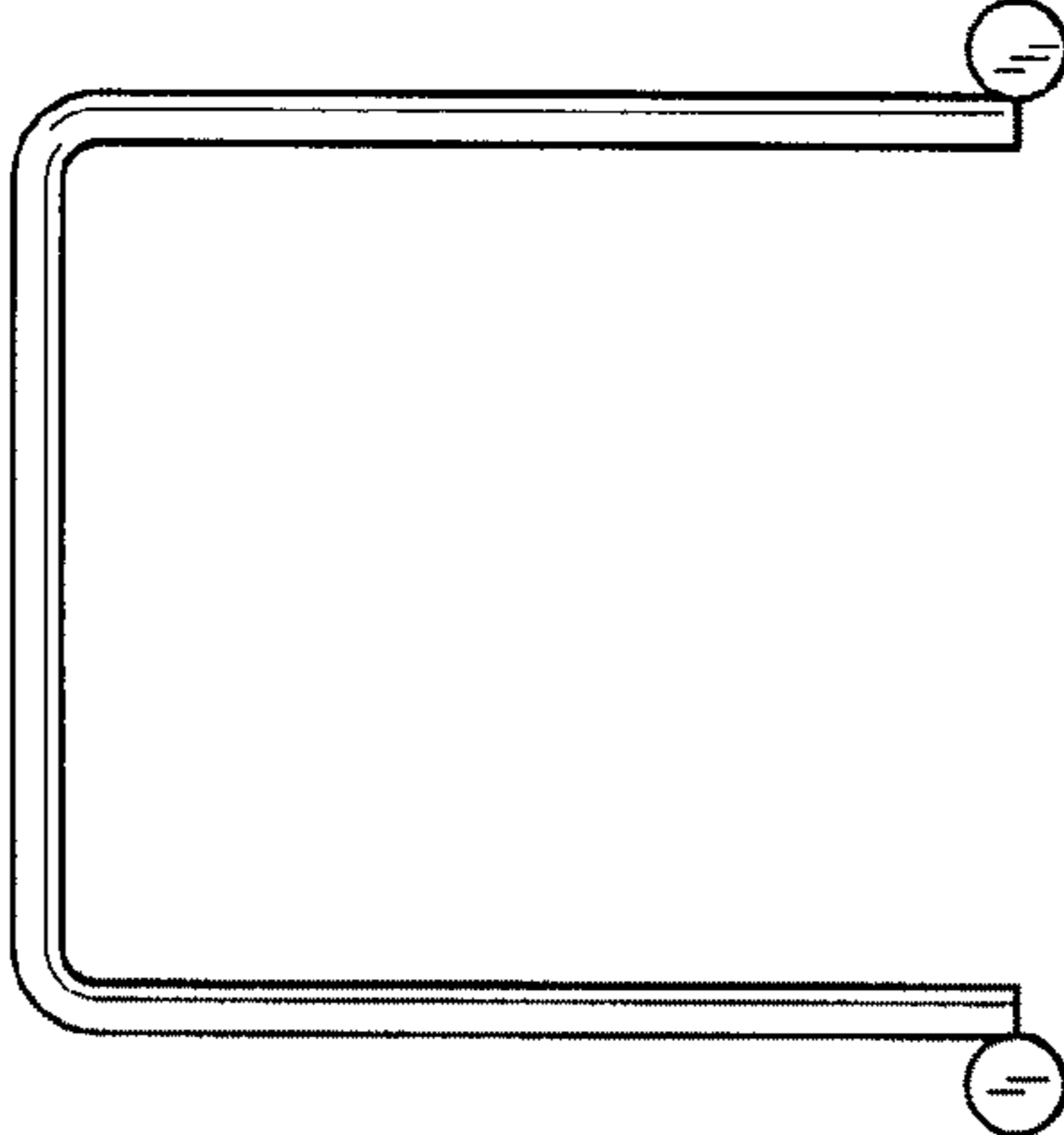


FIG. 3

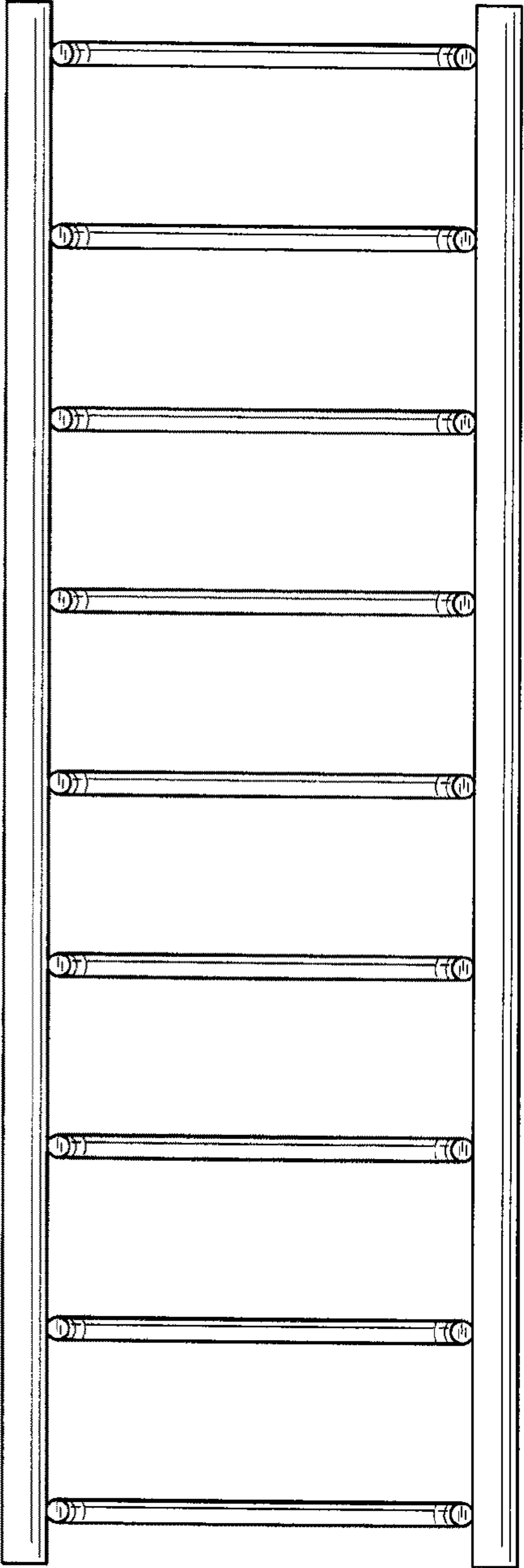


FIG. 5

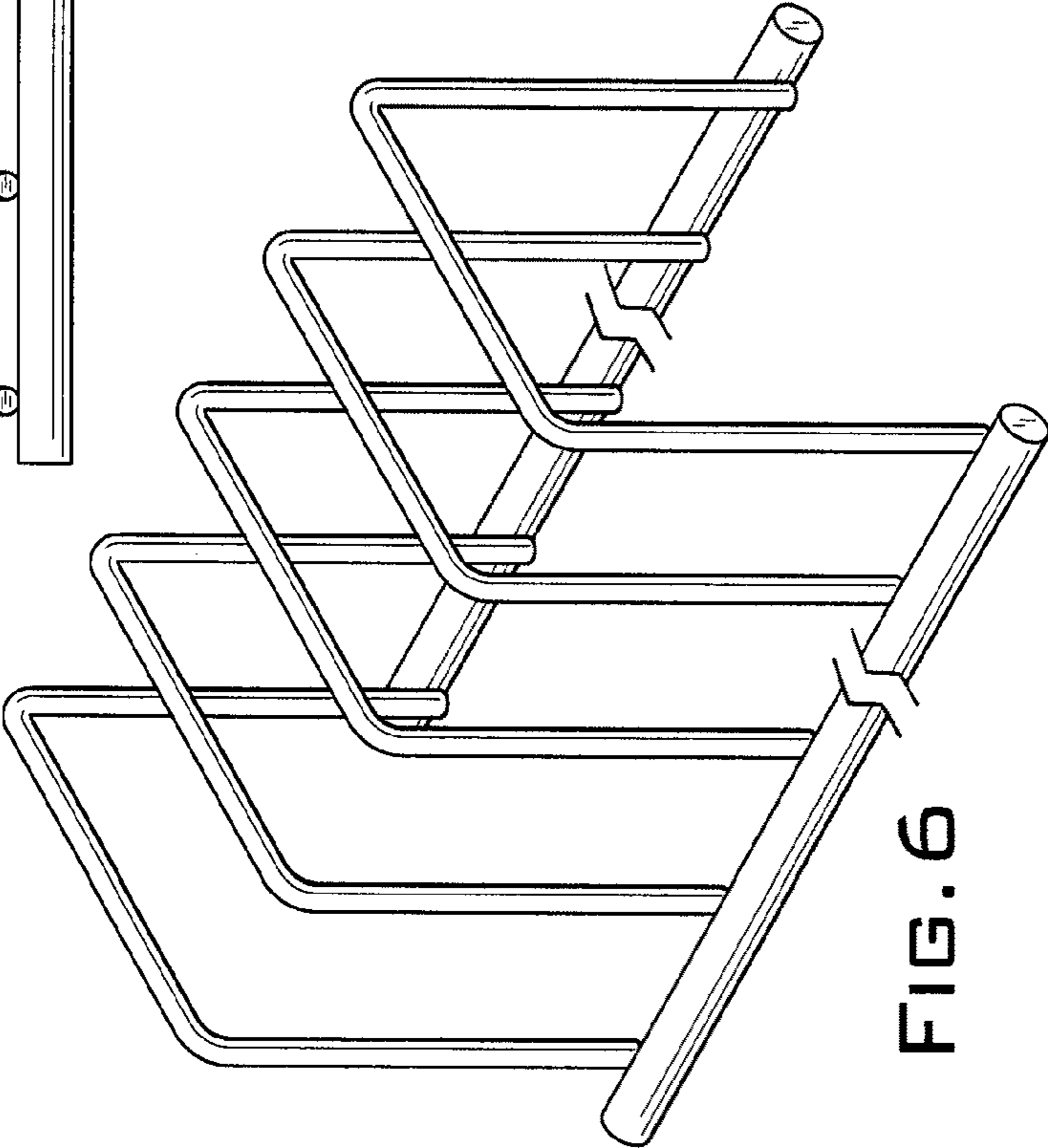


FIG. 6