



US00D588377S

(12) **United States Design Patent**
Riley

(10) **Patent No.:** **US D588,377 S**
(45) **Date of Patent:** **** Mar. 17, 2009**

(54) **TWO PIECE WRAP-AROUND DRUM RACK**

(75) Inventor: **Dennis Riley**, P.O. Box 5229, Conneaut Lake, PA (US) 16316

(73) Assignee: **Dennis Riley**, Conneaut Lake, PA (US)

(**) Term: **14 Years**

(21) Appl. No.: **29/304,113**

(22) Filed: **Feb. 25, 2008**

(51) **LOC (9) Cl.** **06-04**

(52) **U.S. Cl.** **D6/462; D17/22**

(58) **Field of Classification Search** D8/354;
D6/462, 317; D28/38; D23/410; D19/90;
D17/22; 84/421; 312/351; 211/85.11, 60.1
See application file for complete search history.

(56) **References Cited**

U.S. PATENT DOCUMENTS

D243,042	S	*	1/1977	Dorn	D6/462
4,236,775	A	*	12/1980	Haynes	312/351
4,421,238	A	*	12/1983	Patton	211/85.11
4,509,650	A	*	4/1985	Wilgosz	211/60.1
D330,648	S	*	11/1992	Lippert	D6/462
D336,927	S	*	6/1993	Samuels et al.	D19/90
D338,357	S	*	8/1993	Dworkin	D6/462
D343,307	S	*	1/1994	Tennyson	D6/462
D344,093	S	*	2/1994	Melick	D17/22
5,337,646	A	*	8/1994	Austin	84/421

D377,996	S	*	2/1997	Gilbert	D28/38
D381,413	S	*	7/1997	Feinsilber	D23/410
D400,565	S	*	11/1998	Ahl	D17/22
5,949,008	A	*	9/1999	Augsburger	84/421
D426,878	S	*	6/2000	Denney et al.	D23/410
D436,463	S	*	1/2001	Goodman et al.	D6/462
D439,502	S	*	3/2001	Shan	D8/354
6,471,078	B2	*	10/2002	Pyle	211/85.6
D507,737	S	*	7/2005	Flanagan	D6/317
D514,354	S	*	2/2006	Nix et al.	D6/462

* cited by examiner

Primary Examiner—Cathron C Brooks

Assistant Examiner—Austin Murphy

(57) **CLAIM**

The ornamental design for a two piece wrap-around drum rack, as shown and described.

DESCRIPTION

FIG. 1 is a perspective view of a two piece wrap-around drum rack, showing my new design;

FIG. 2 is a front elevational view of the invention;

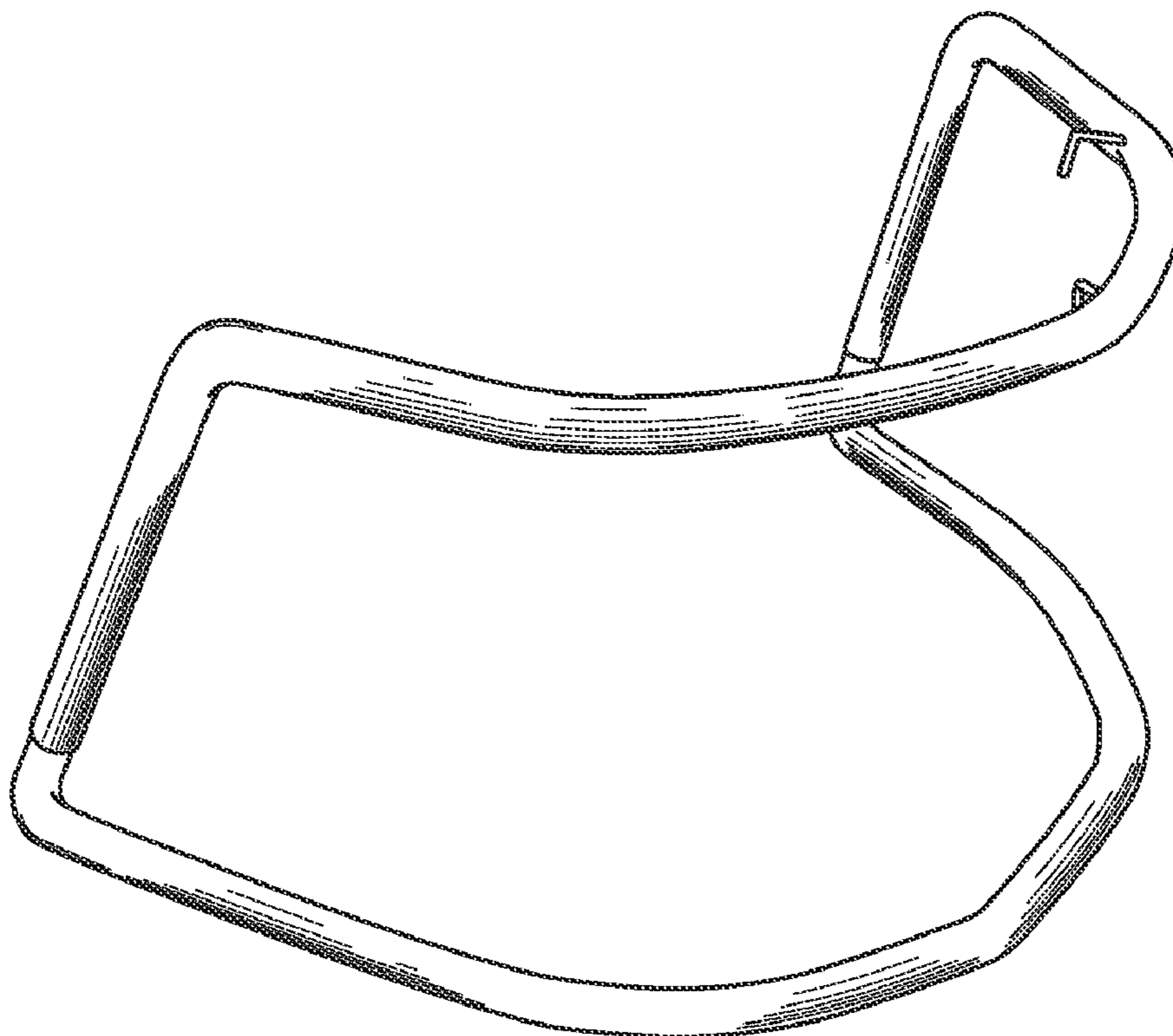
FIG. 3 is a rear elevational view of the invention;

FIG. 4 is a left-side elevational view of the invention, the right-side elevational view being a mirror image thereof;

FIG. 5 is a top plan view of the invention; and,

FIG. 6 is a bottom plan view of the invention.

1 Claim, 3 Drawing Sheets



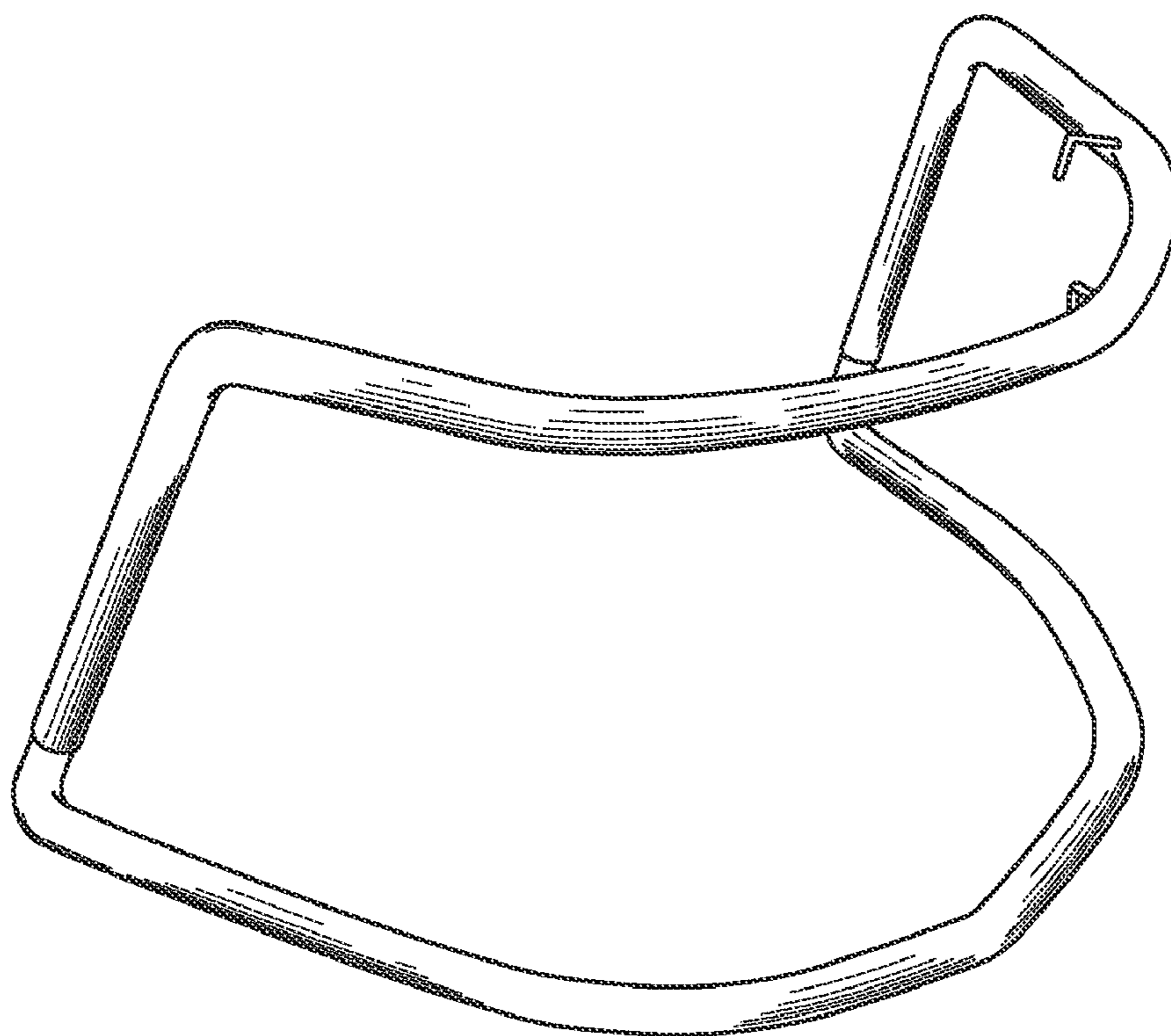


FIG. 1

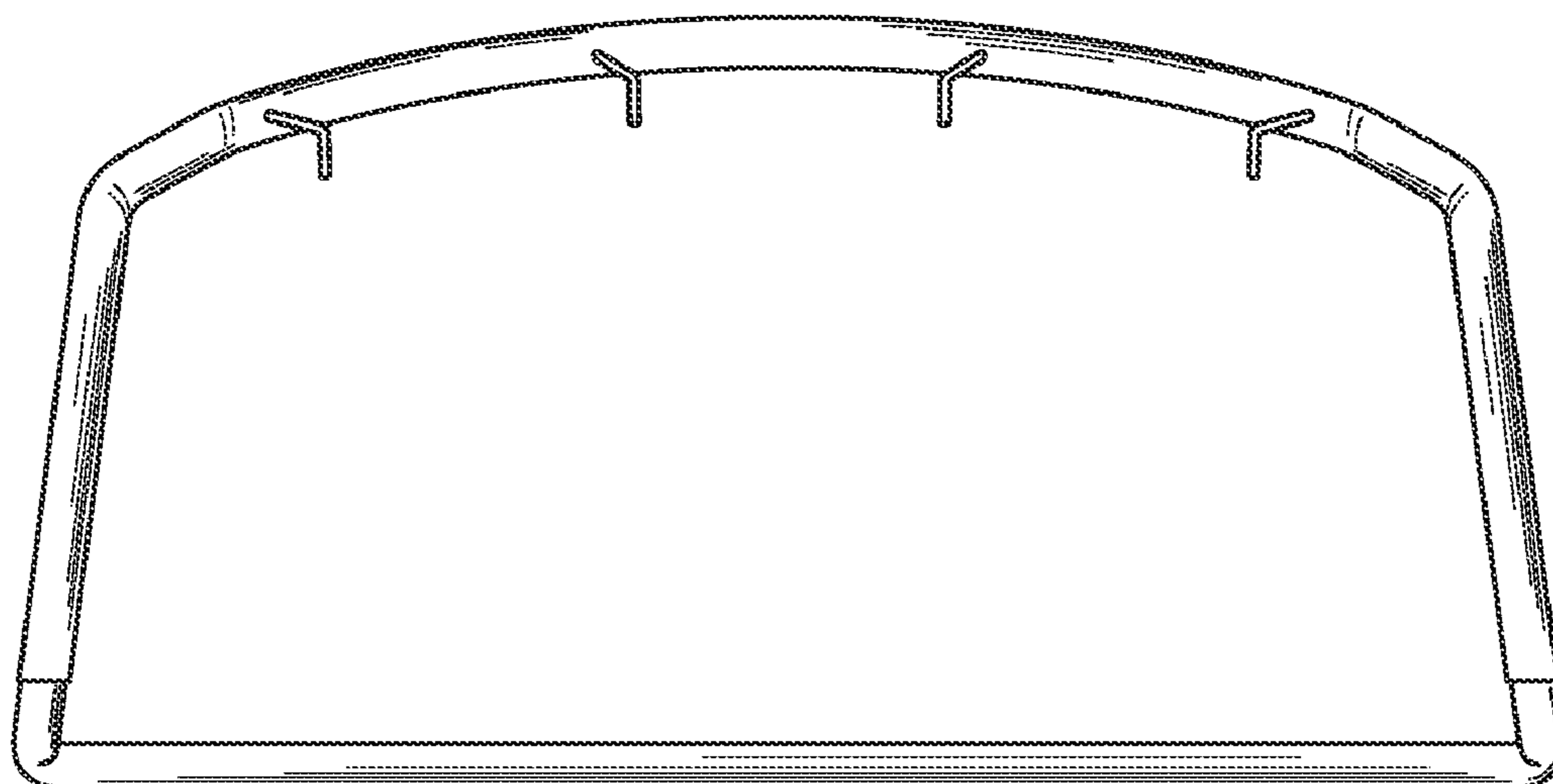


FIG. 2

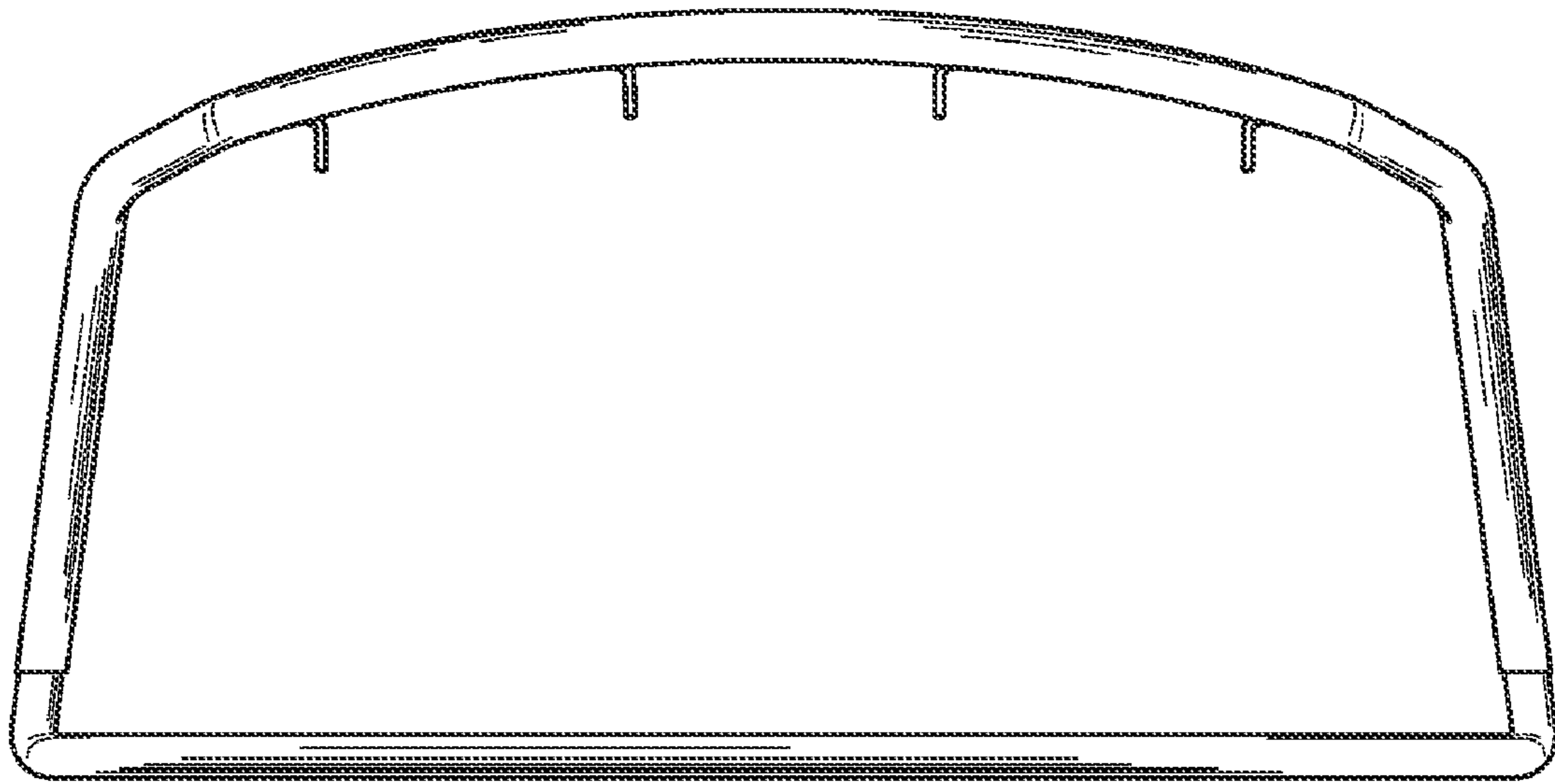


FIG. 3

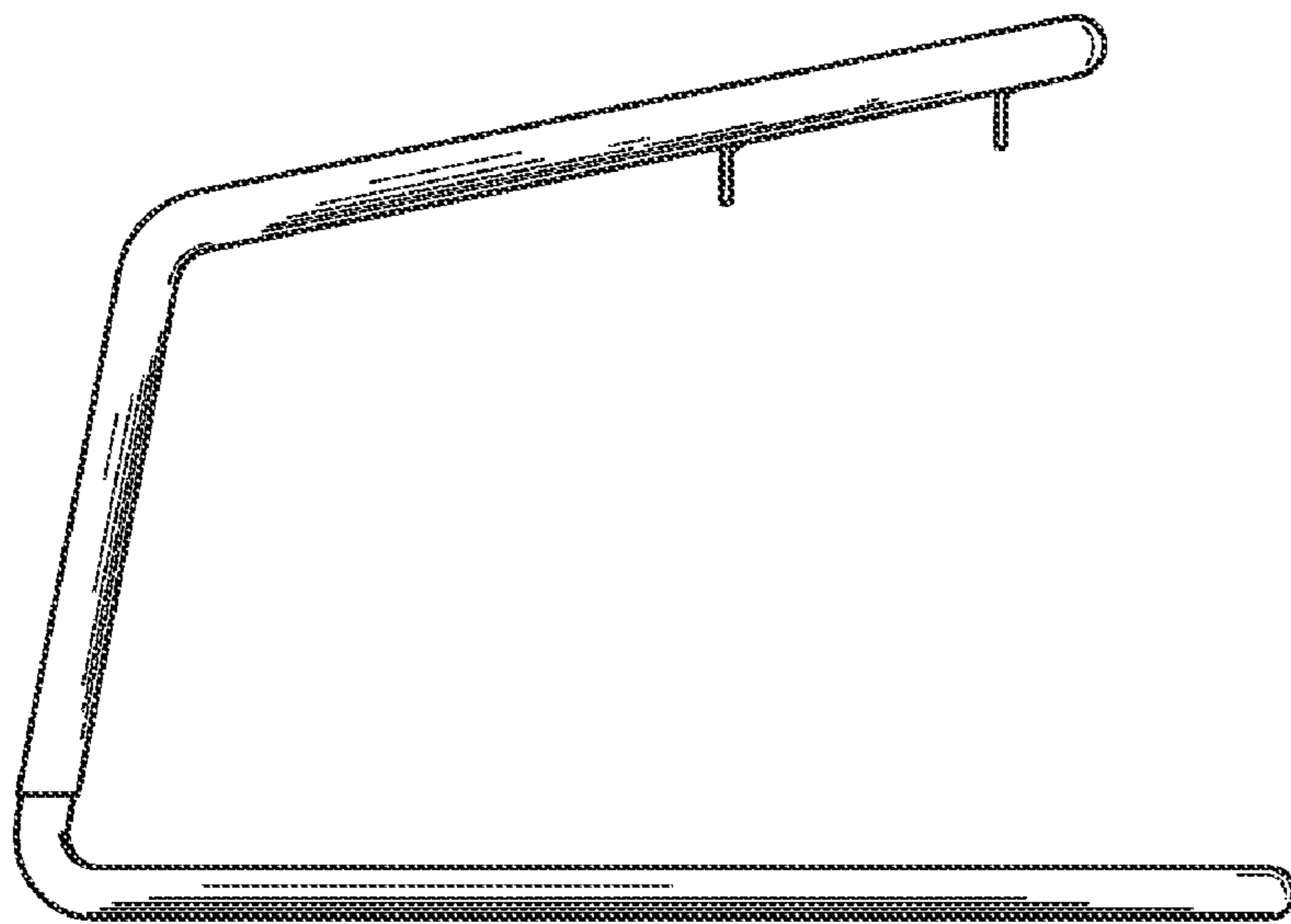


FIG. 4

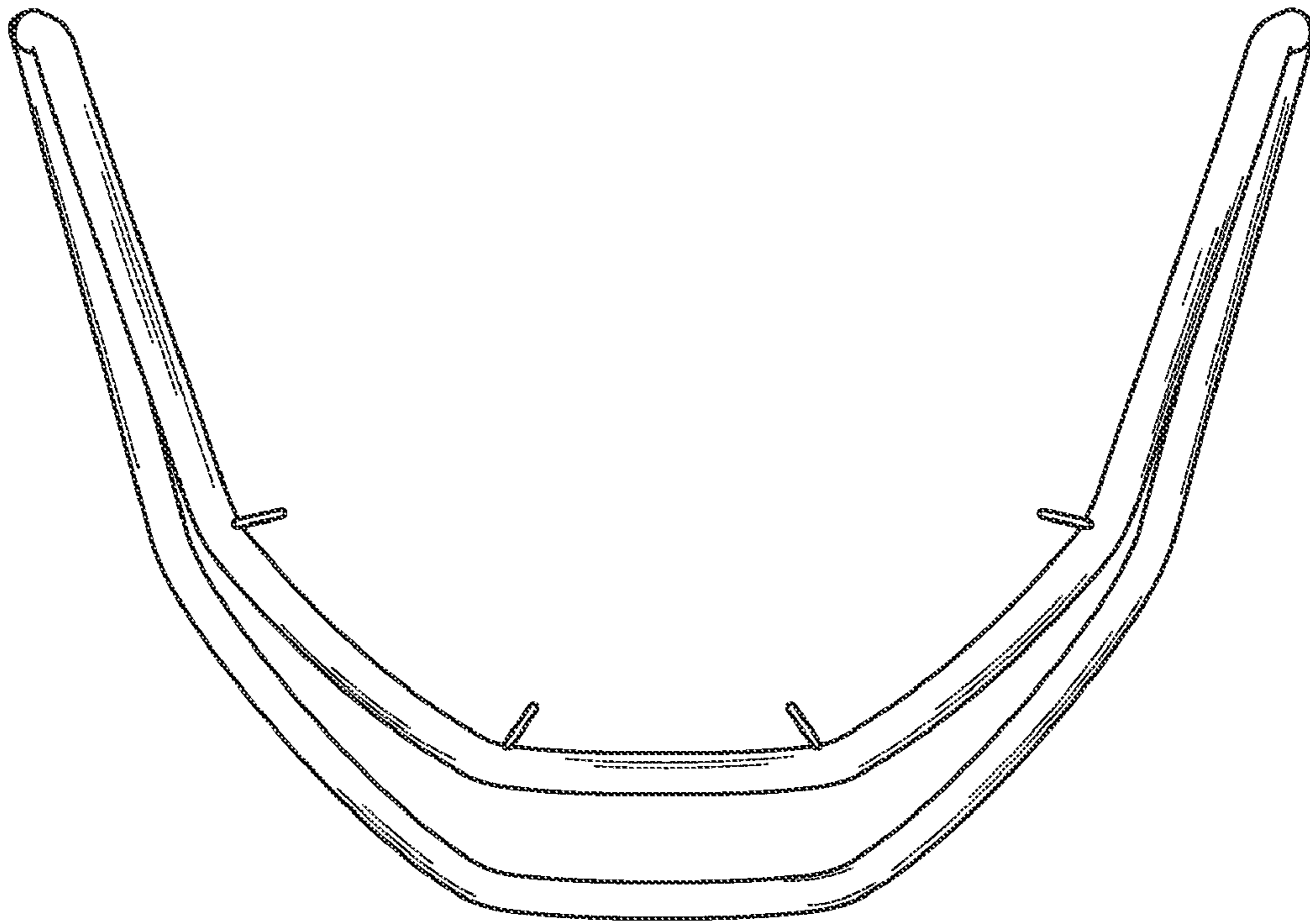


FIG. 5

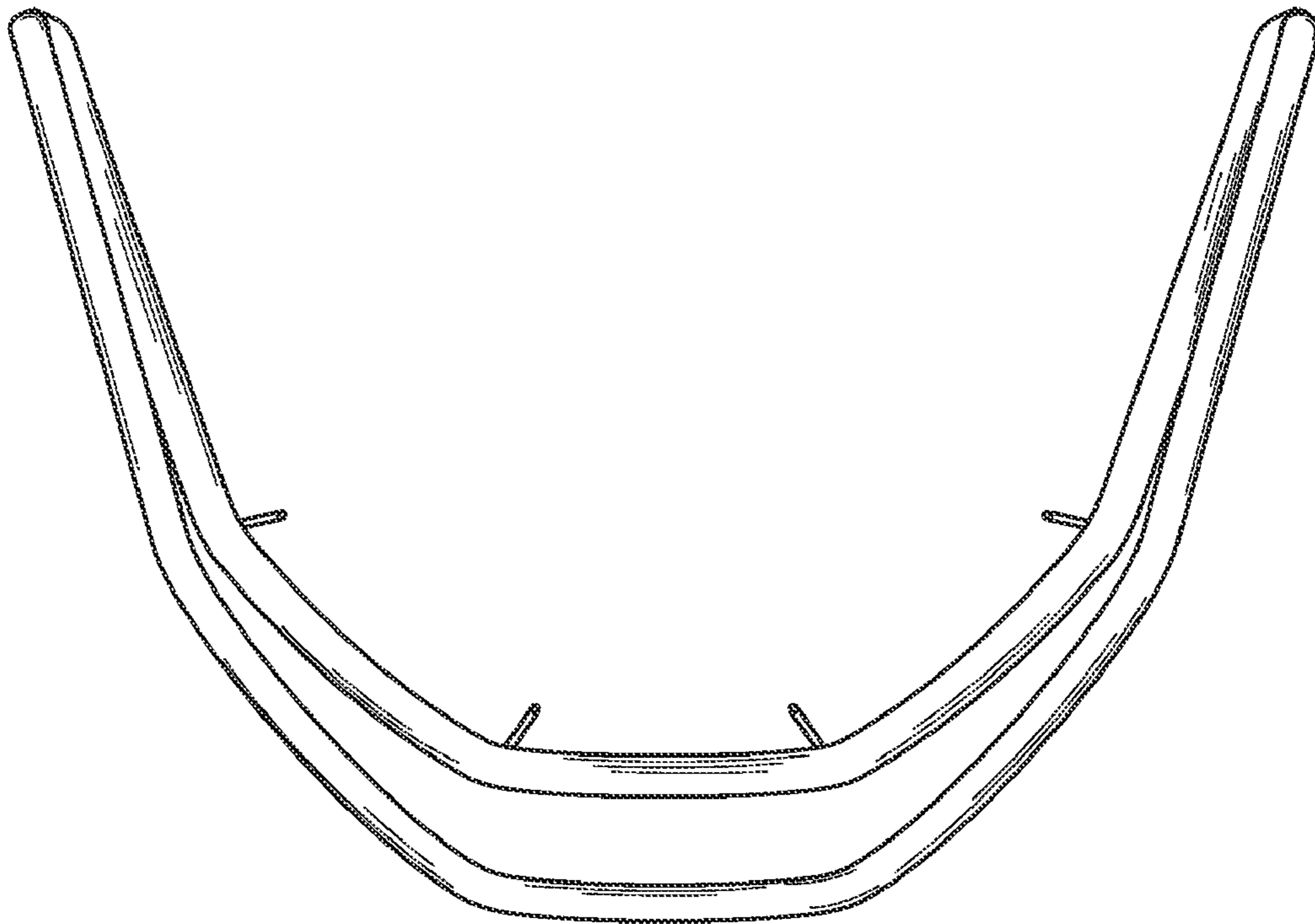


FIG. 6