



US00D588373S

(12) **United States Design Patent**
Rushton

(10) **Patent No.:** **US D588,373 S**
(45) **Date of Patent:** **** Mar. 17, 2009**

(54) **SCRAPBOOKING TABLE TOP**

(76) Inventor: **Ennis W. Rushton**, 660 Bird La.,
Litchfield Park, AZ (US) 85340

(**) Term: **14 Years**

(21) Appl. No.: **29/291,417**

(22) Filed: **Aug. 27, 2007**

(51) **LOC (9) Cl.** **06-06**

(52) **U.S. Cl.** **D6/406.6**

(58) **Field of Classification Search** D6/406.1-406.6,
D6/429, 426, 440, 451, 489, 510, 511; D7/552.1,
D7/552.2, 554.1, 554.4, 550.1, 554.2, 554.3,
D7/566; 211/133.1, 85.31, 126.8, 126, 16,
211/133.5; 108/43, 157.1, 157.13; 434/432
See application file for complete search history.

(56) **References Cited**

U.S. PATENT DOCUMENTS

2,003,241	A *	5/1935	Brown	248/439
D178,838	S *	9/1956	Jacoby	D6/397
D178,839	S *	9/1956	Jacoby	D6/397
D180,599	S *	7/1957	Jacoby	D6/397
2,906,412	A *	9/1959	Tanner	211/74
D187,378	S *	3/1960	Allen	D6/407
D253,627	S *	12/1979	Adamson	D7/554.3
4,444,320	A *	4/1984	Chap	211/134
D279,847	S *	7/1985	Hanover	D6/510
D280,788	S *	10/1985	Levin	D6/406.6
D293,634	S *	1/1988	Rattner	D6/440
D318,694	S *	7/1991	Richards-Butts	D21/398
D319,358	S *	8/1991	Giugiaro	D6/406.6
5,074,223	A *	12/1991	Remmers	108/91
5,081,936	A *	1/1992	Drieling	108/43
5,152,407	A *	10/1992	Massoudnia et al.	211/126.8
D355,787	S *	2/1995	Rae	D6/406.6
D358,511	S *	5/1995	Frahm	D6/484
D366,170	S *	1/1996	Temple	D6/511

D380,106	S *	6/1997	Brotherston	D6/406.5
D380,727	S *	7/1997	Gilstrap	D12/425
D390,718	S *	2/1998	Howland et al.	D6/406.6
D427,803	S *	7/2000	Walters-Dowding	D6/406.6
			et al.	D6/406.6
D428,729	S *	8/2000	Weitzman et al.	D6/406.6
D455,025	S *	4/2002	Weitzman et al.	D6/406.5
D490,261	S *	5/2004	Astle et al.	D6/511
7,055,442	B2 *	6/2006	Podd et al.	108/25
D577,233	S *	9/2008	Greiner	D6/511

* cited by examiner

Primary Examiner—Charles A Rademaker

Assistant Examiner—Charles D Hanson

(74) *Attorney, Agent, or Firm*—William E. Hein

(57) **CLAIM**

The ornamental design for a scrapbooking table top, as shown and described.

DESCRIPTION

FIG. 1 is a perspective view of a scrapbooking table top, showing my new design;

FIG. 2 is a top plan view thereof;

FIG. 3 is a front elevation thereof;

FIG. 4 is a rear elevation thereof;

FIG. 5 is a right side elevation thereof, the left elevation being a mirror image;

FIG. 6 is a perspective view of the design shown in FIG. 1, in a closed position;

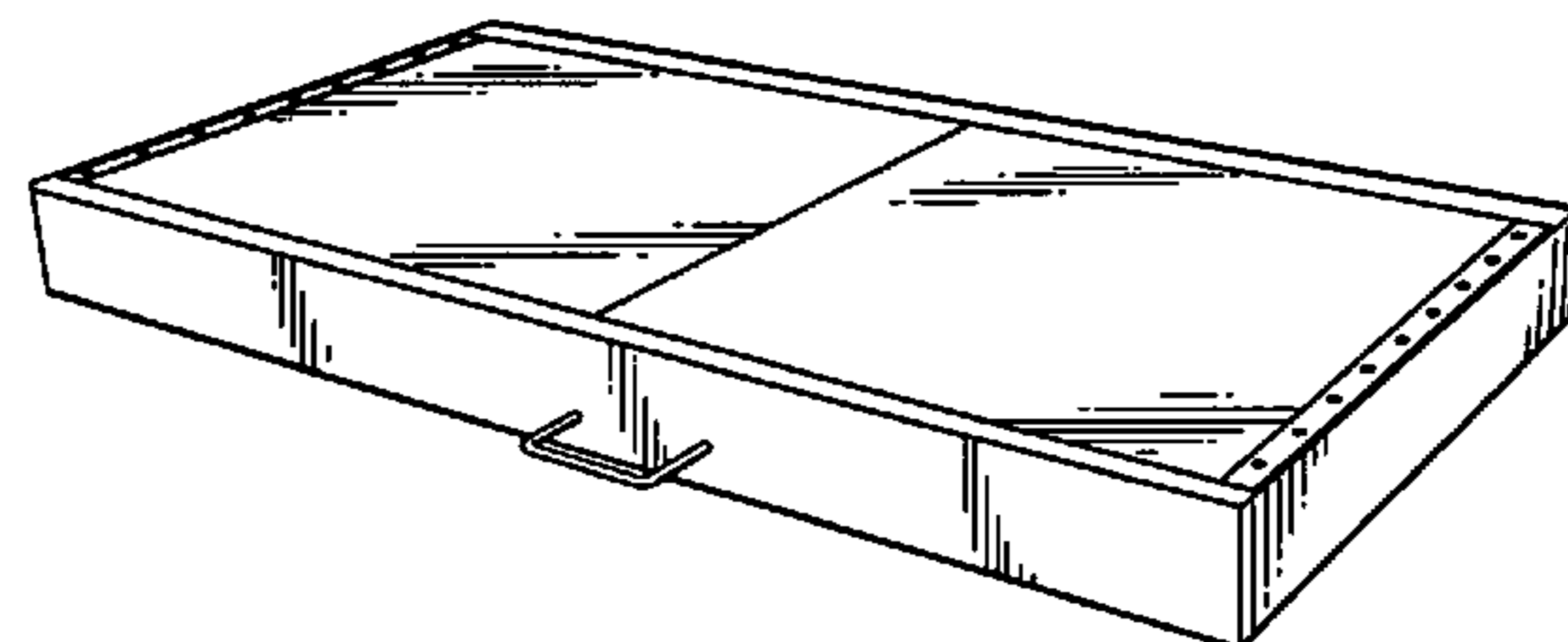
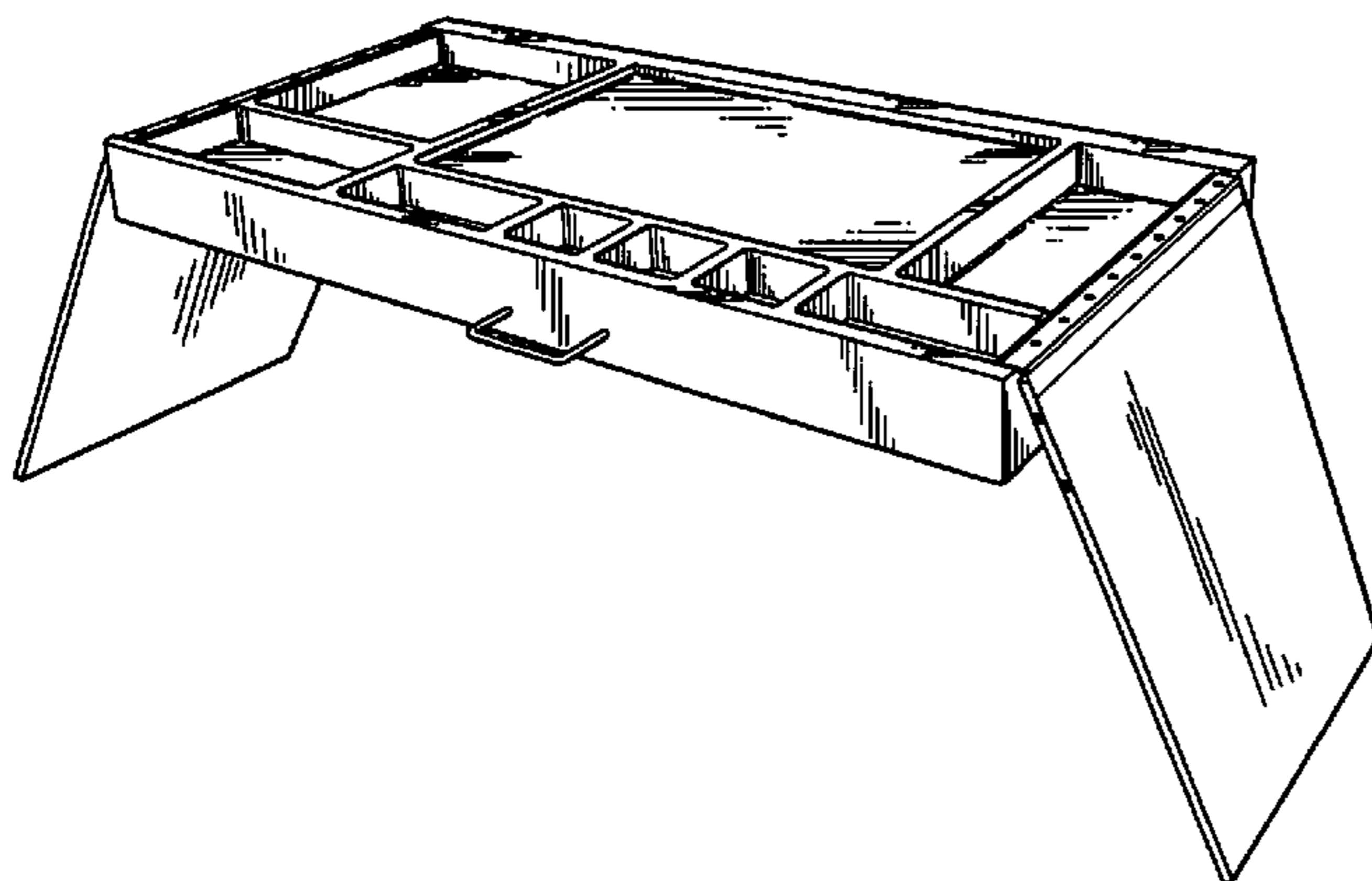
FIG. 7 is a top plan view thereof;

FIG. 8 is a front elevation thereof;

FIG. 9 is a rear elevation thereof; and,

FIG. 10 is a right side elevation thereof, the left elevation being a mirror image.

1 Claim, 2 Drawing Sheets



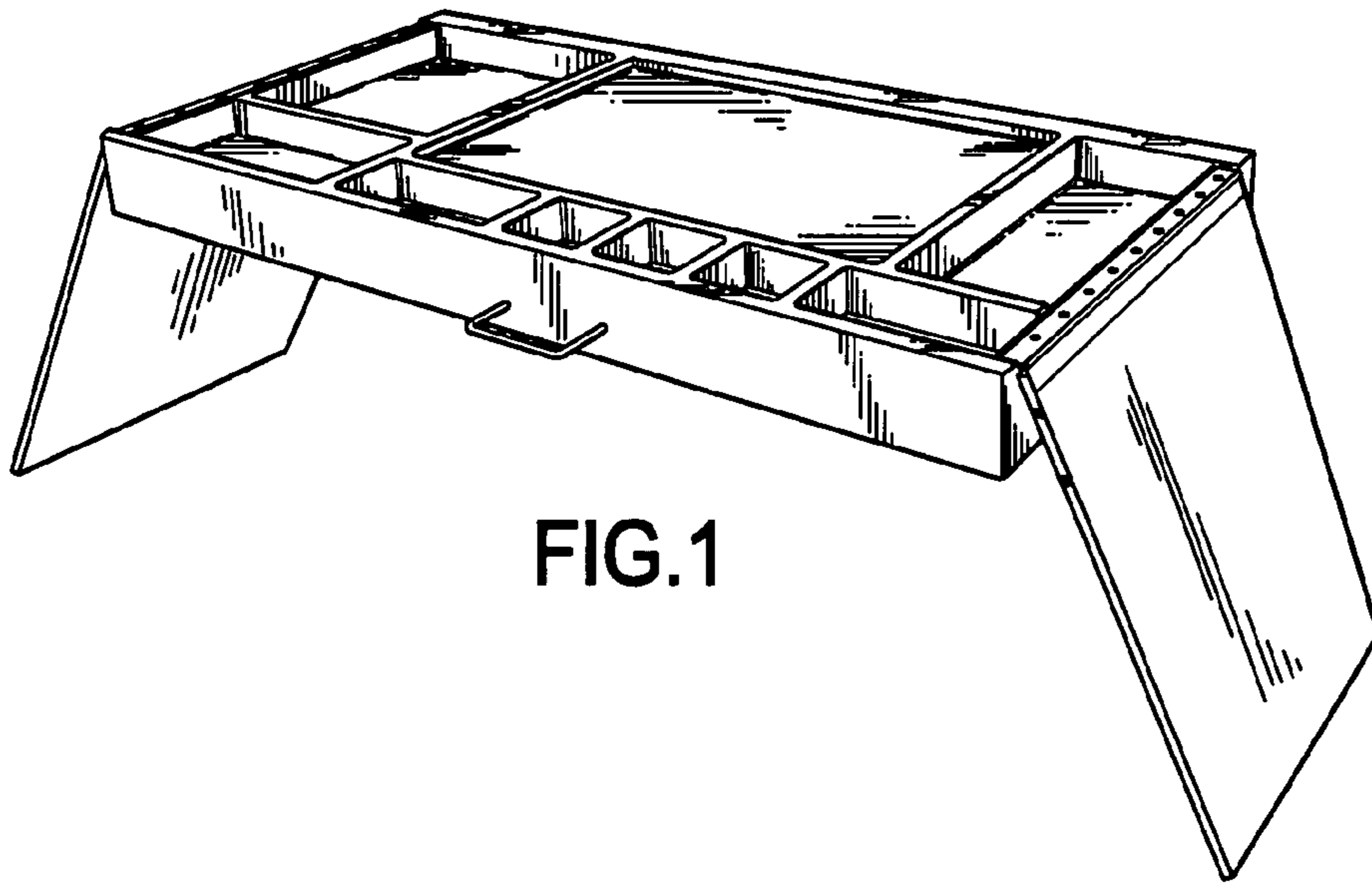


FIG. 1

FIG. 2

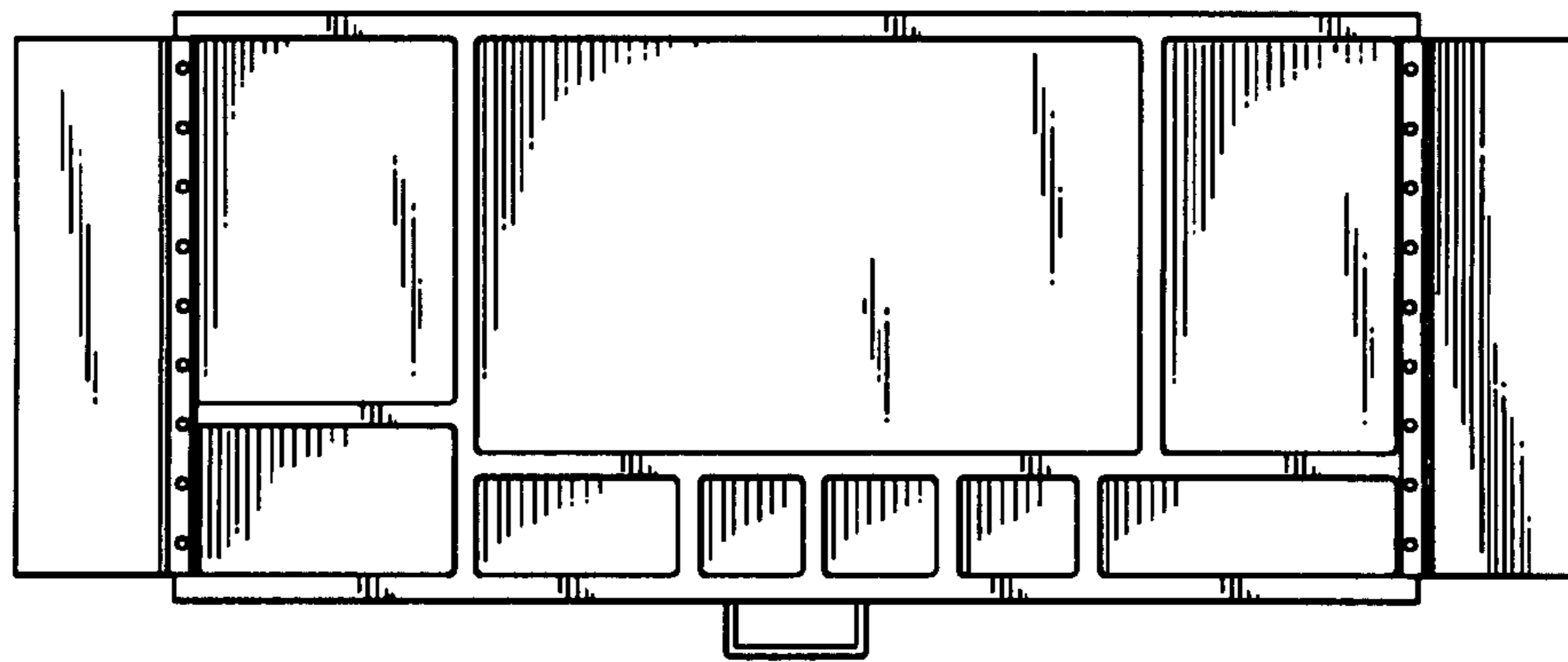


FIG. 3

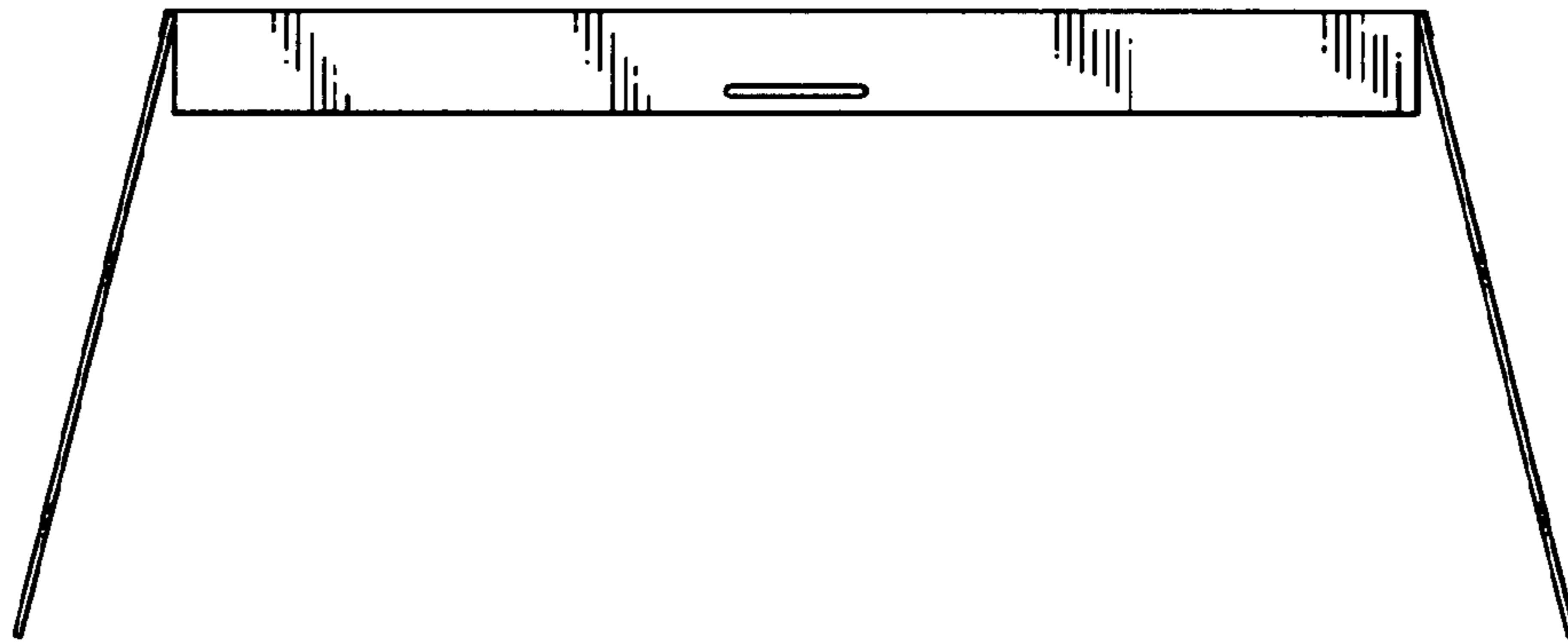


FIG. 8

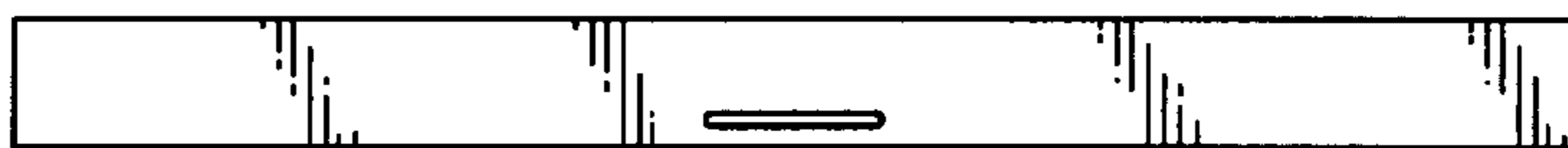


FIG. 9



FIG. 10



FIG.4



FIG.5

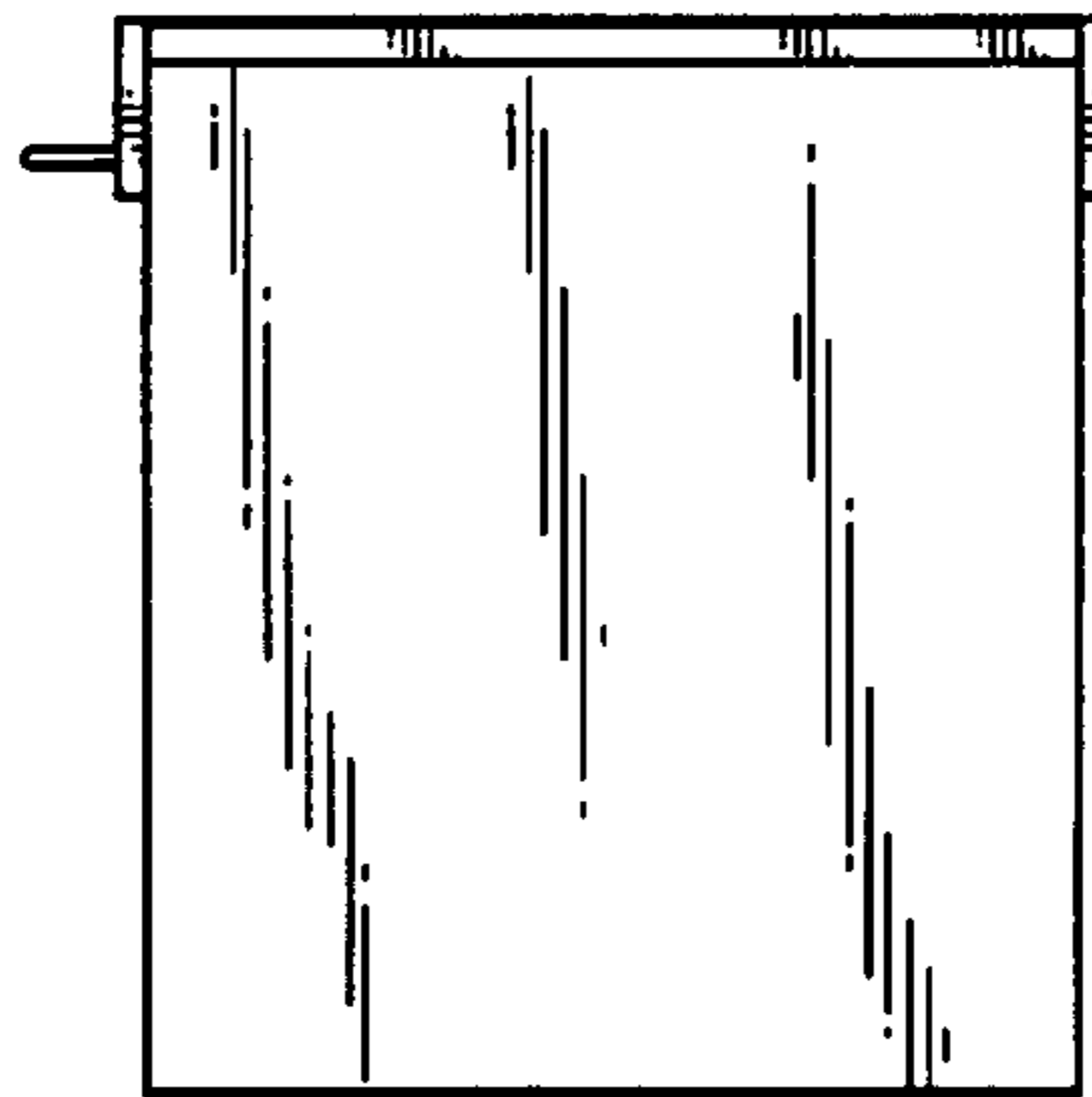


FIG.6

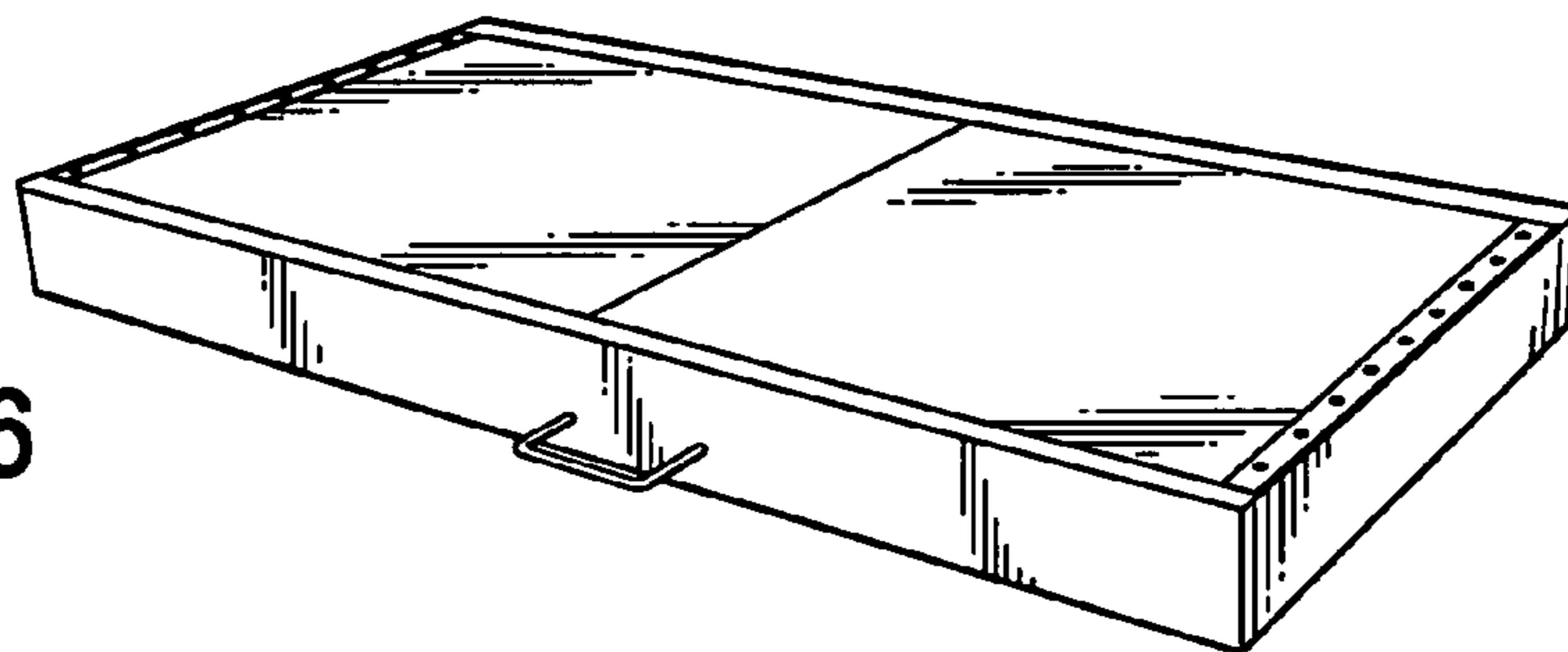


FIG.7

