

US00D588360S

(12) **United States Design Patent**
Scott et al.

(10) **Patent No.:** **US D588,360 S**

(45) **Date of Patent:** **** Mar. 17, 2009**

(54) **FISHING ROD CASE**

(76) Inventors: **Christopher W Scott**, 234 Ben Putnam Rd., Resaca, GA (US) 30735; **Sherry A Scott**, 234 Ben Putnam Rd., Resaca, GA (US) 30735

(**) Term: **14 Years**

(21) Appl. No.: **29/298,785**

(22) Filed: **Dec. 13, 2007**

(51) **LOC (9) Cl.** **03-01**

(52) **U.S. Cl.** **D3/260**

(58) **Field of Classification Search** D3/203.5,
D3/254-255, 259-260, 269, 273, 300, 328.1;
D22/147; 43/21.2, 26; 206/315.1-315.3,
206/315.11

See application file for complete search history.

(56) **References Cited**

U.S. PATENT DOCUMENTS

1,493,124	A *	5/1924	Nesser	206/315.3
1,903,798	A *	4/1933	Turner	224/613
2,919,017	A *	12/1959	Weber	43/26
2,962,187	A *	11/1960	Morris	220/780
3,624,948	A *	12/1971	Baker	43/26
D226,407	S *	2/1973	Doman	D3/260
4,402,355	A *	9/1983	Wymore et al.	206/315.1
D271,162	S *	11/1983	Evans	D3/254
D283,758	S *	5/1986	Stewart et al.	D7/703
D320,885	S *	10/1991	Fitzhugh	D3/264
D321,281	S *	11/1991	Cooper	D3/260
D343,954	S *	2/1994	Simmons	D22/107

5,425,194	A *	6/1995	Miller	43/26
5,446,989	A	9/1995	Stange et al.		
D410,333	S *	6/1999	Coca	D3/260
6,062,382	A *	5/2000	Czerkie	206/315.11
6,161,692	A *	12/2000	Lizarraga	206/315.3
D476,151	S *	6/2003	Peterson	D3/254
D478,726	S *	8/2003	Masso et al.	D3/300
7,044,298	B1 *	5/2006	Pryst	206/315.3
7,111,730	B1 *	9/2006	Alas	206/315.1
7,383,658	B1 *	6/2008	Reichert et al.	43/26
2006/0207898	A1 *	9/2006	Cheng	206/315.1

* cited by examiner

Primary Examiner—Philip S Hyder
Assistant Examiner—Roselynn Cody

(57) **CLAIM**

The ornamental design for a fishing rod case, as shown and described.

DESCRIPTION

FIG. 1 is a right elevational view of a fishing rod case showing our new design;

FIG. 2 is a left elevational view thereof;

FIG. 3 is a front elevational view thereof;

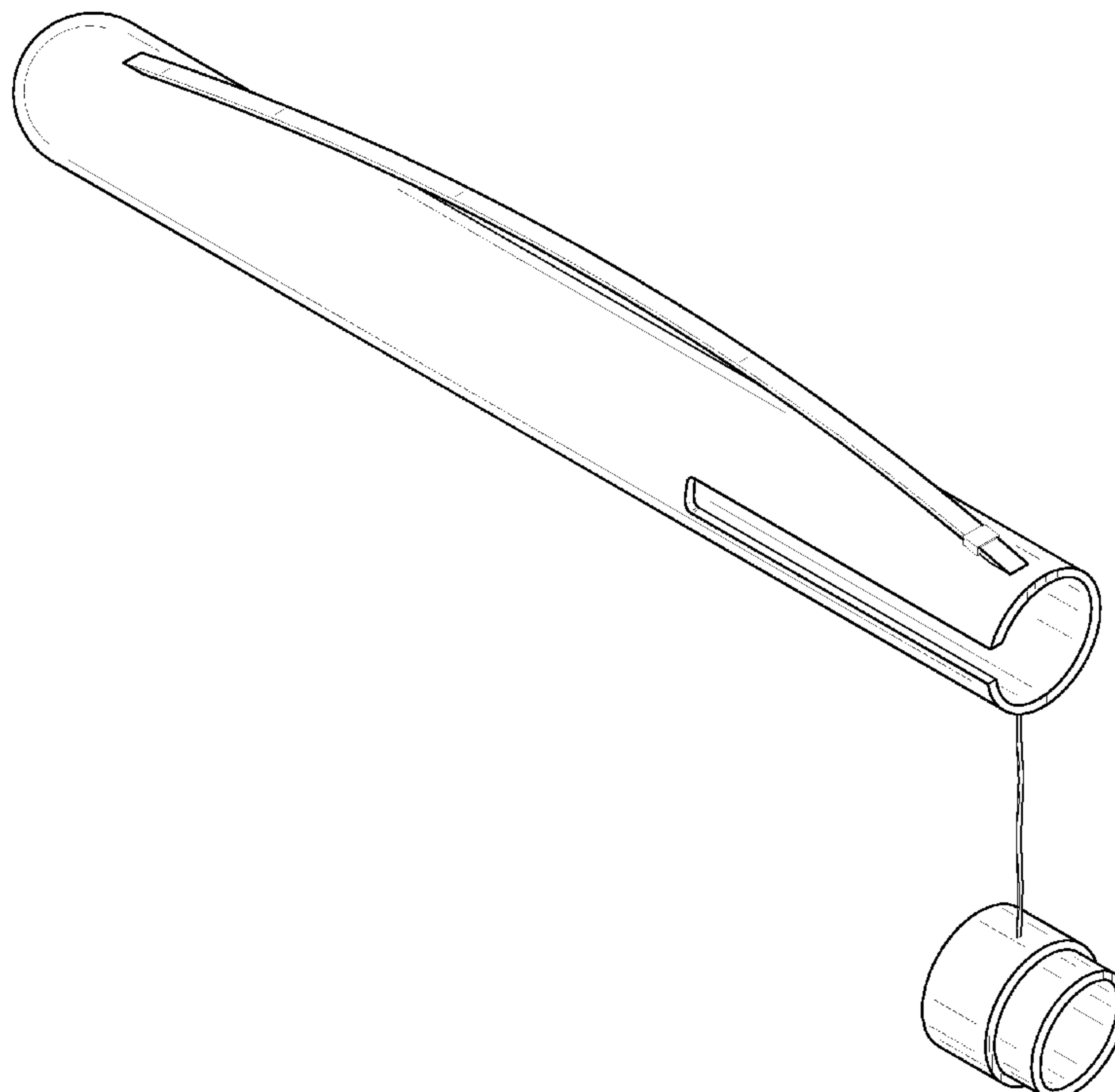
FIG. 4 is a rear elevational view thereof;

FIG. 5 is a top plan view thereof;

FIG. 6 is a bottom plan view thereof; and,

FIG. 7 is an isometric view of a fishing rod case illustrated in open position for clarity.

1 Claim, 3 Drawing Sheets



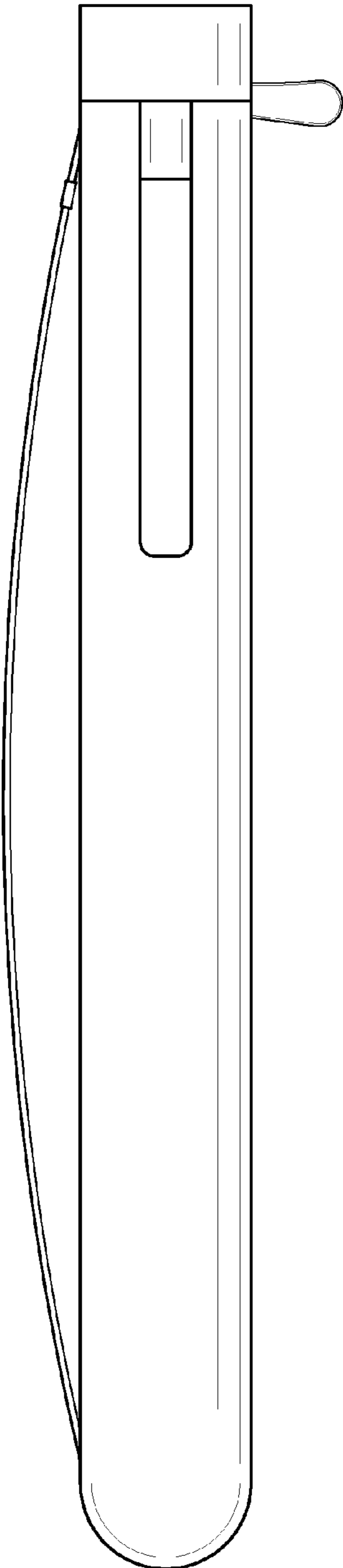


FIG. 1

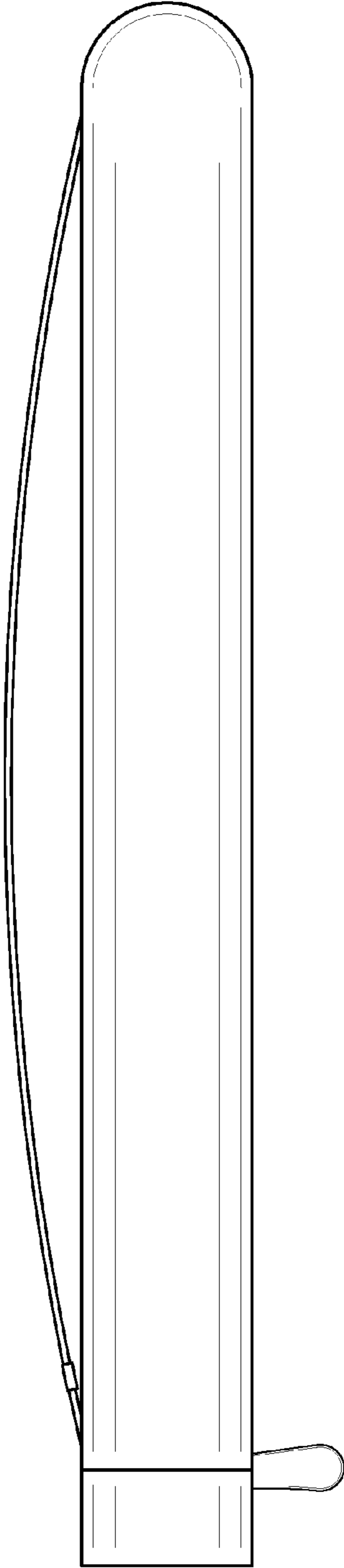


FIG. 2

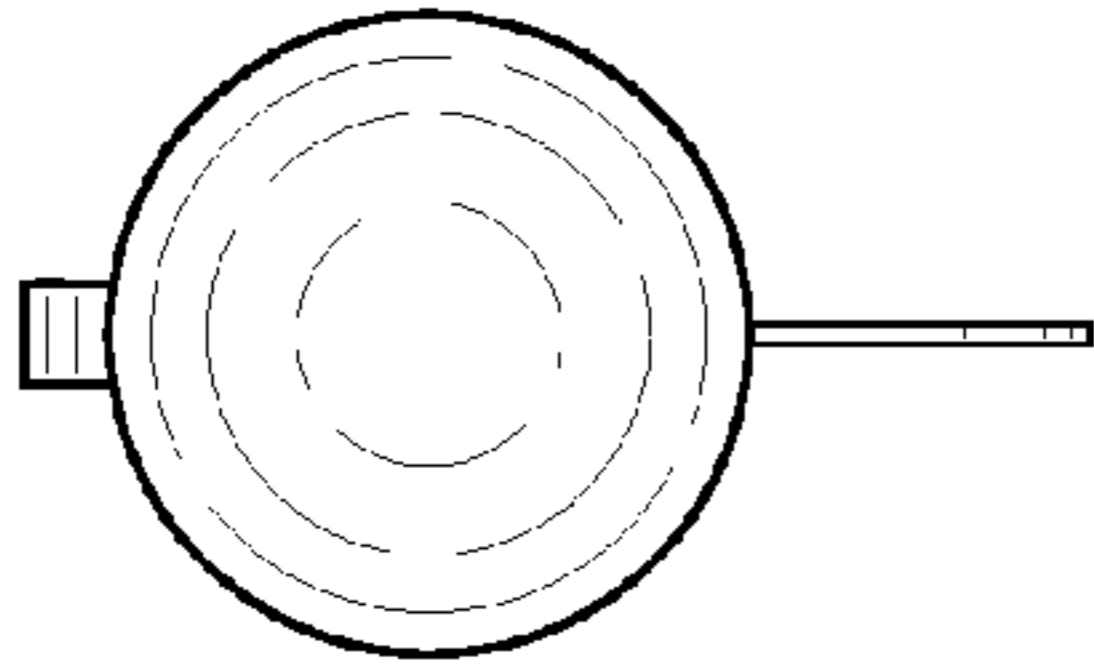


FIG. 3

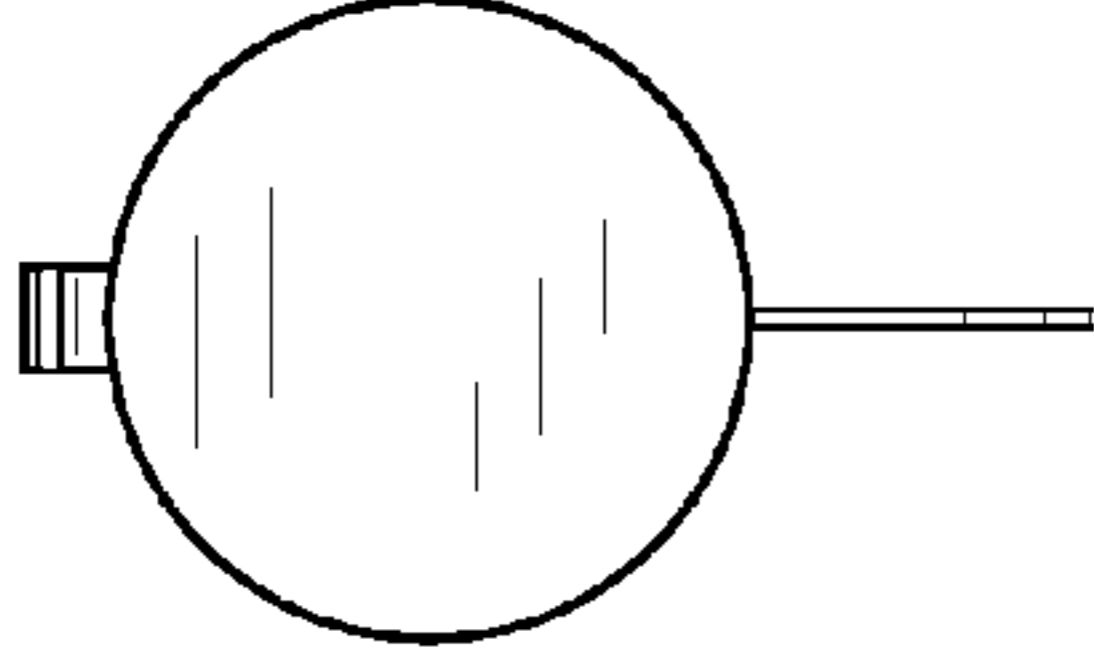


FIG. 4

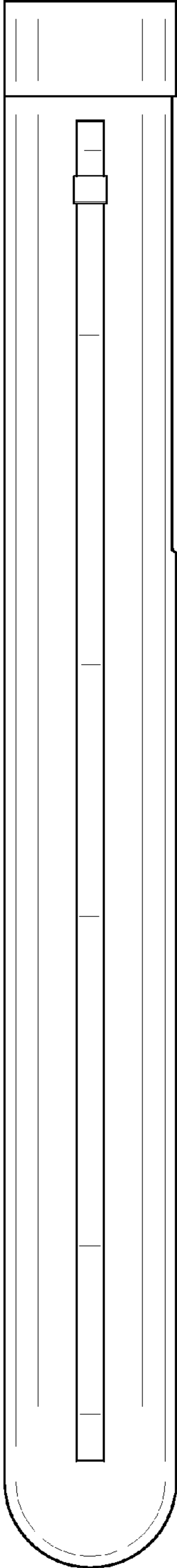


FIG. 5

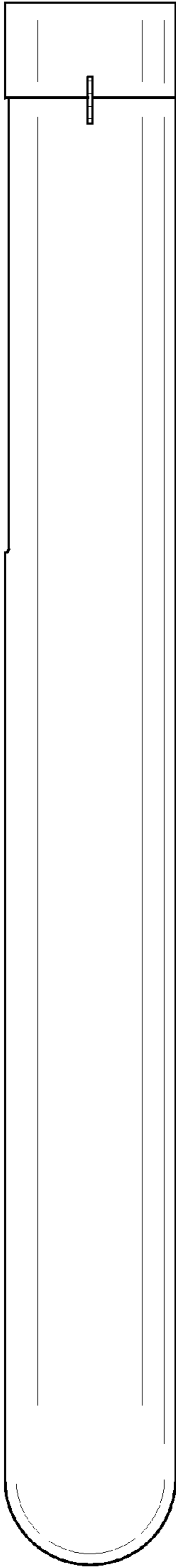


FIG. 6

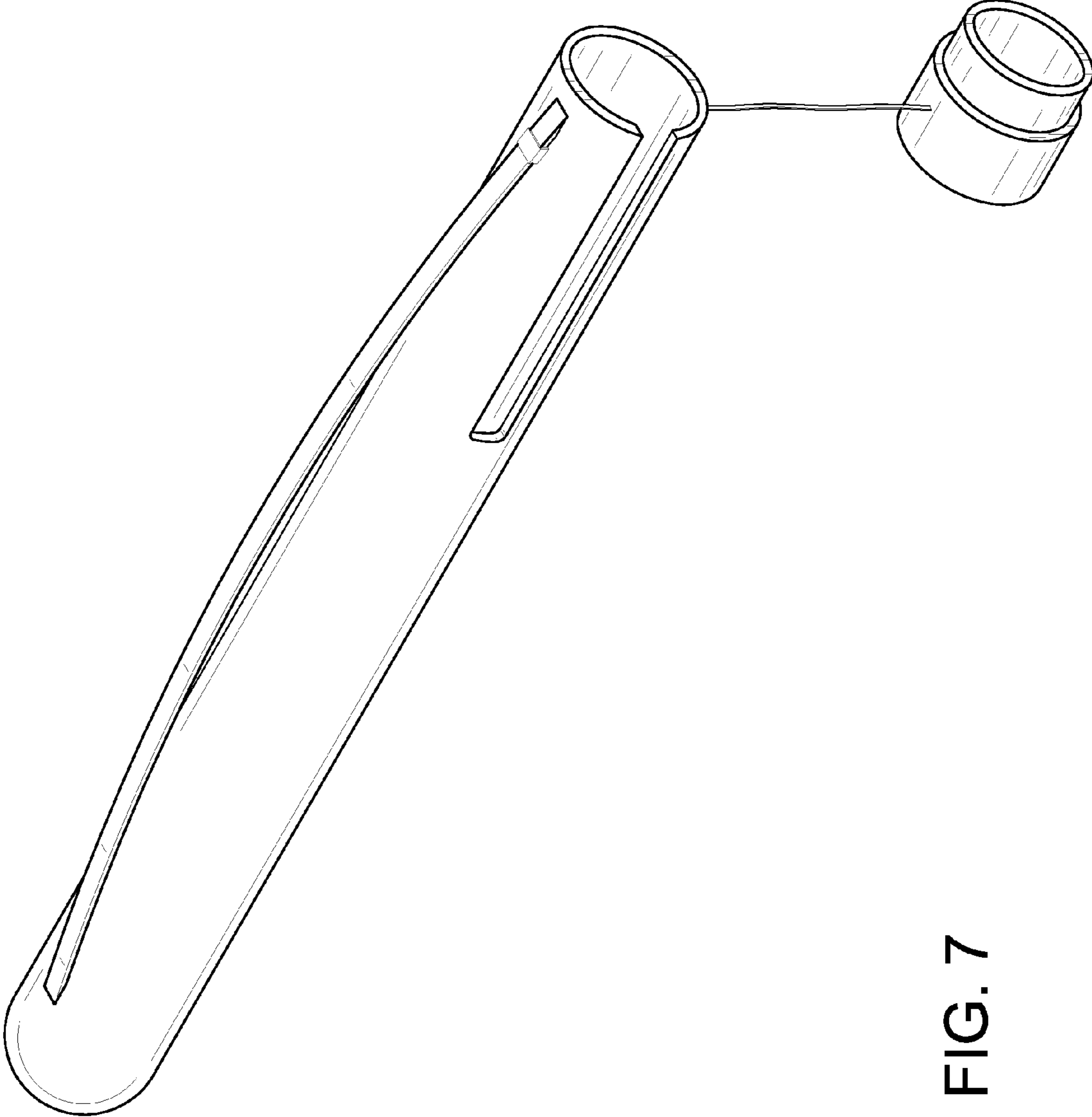


FIG. 7