



US00D588359S

(12) **United States Design Patent**
Gonzalez

(10) **Patent No.:** **US D588,359 S**
(45) **Date of Patent:** **** Mar. 17, 2009**

(54) **HANDBAG**

(75) Inventor: **Alvaro Gonzalez**, Florence (IT)

(73) Assignee: **J. Choo Limited**, London (GB)

(**) Term: **14 Years**

(21) Appl. No.: **29/271,725**

(22) Filed: **Jan. 24, 2007**

(30) **Foreign Application Priority Data**

Jul. 28, 2006 (EM) 000571591-001

(51) **LOC (9) Cl.** **03-01**

(52) **U.S. Cl.** **D3/243**

(58) **Field of Classification Search** D3/232-233,
D3/240-246, 322, 324; 150/100, 103, 104,
150/107-110, 114, 118-119

See application file for complete search history.

(56) **References Cited**

U.S. PATENT DOCUMENTS

D130,593 S * 12/1941 Rajna D3/11
D324,770 S 3/1992 Dixsaut

* cited by examiner

Primary Examiner—Holly H Baynham

(74) *Attorney, Agent, or Firm*—Fross Zelnick Lehrman & Zissu, P.C.; Lawrence E. Apolzon, Esq.

(57) **CLAIM**

The ornamental design for handbag, as shown and described.

DESCRIPTION

FIG. 1 is a front perspective view of a handbag showing my handbag design;

FIG. 2 is a front view of the handbag shown in FIG. 1;

FIG. 3 is a rear view of the handbag shown in FIG. 1;

FIG. 4 is a right side view of the handbag shown in FIG. 1;

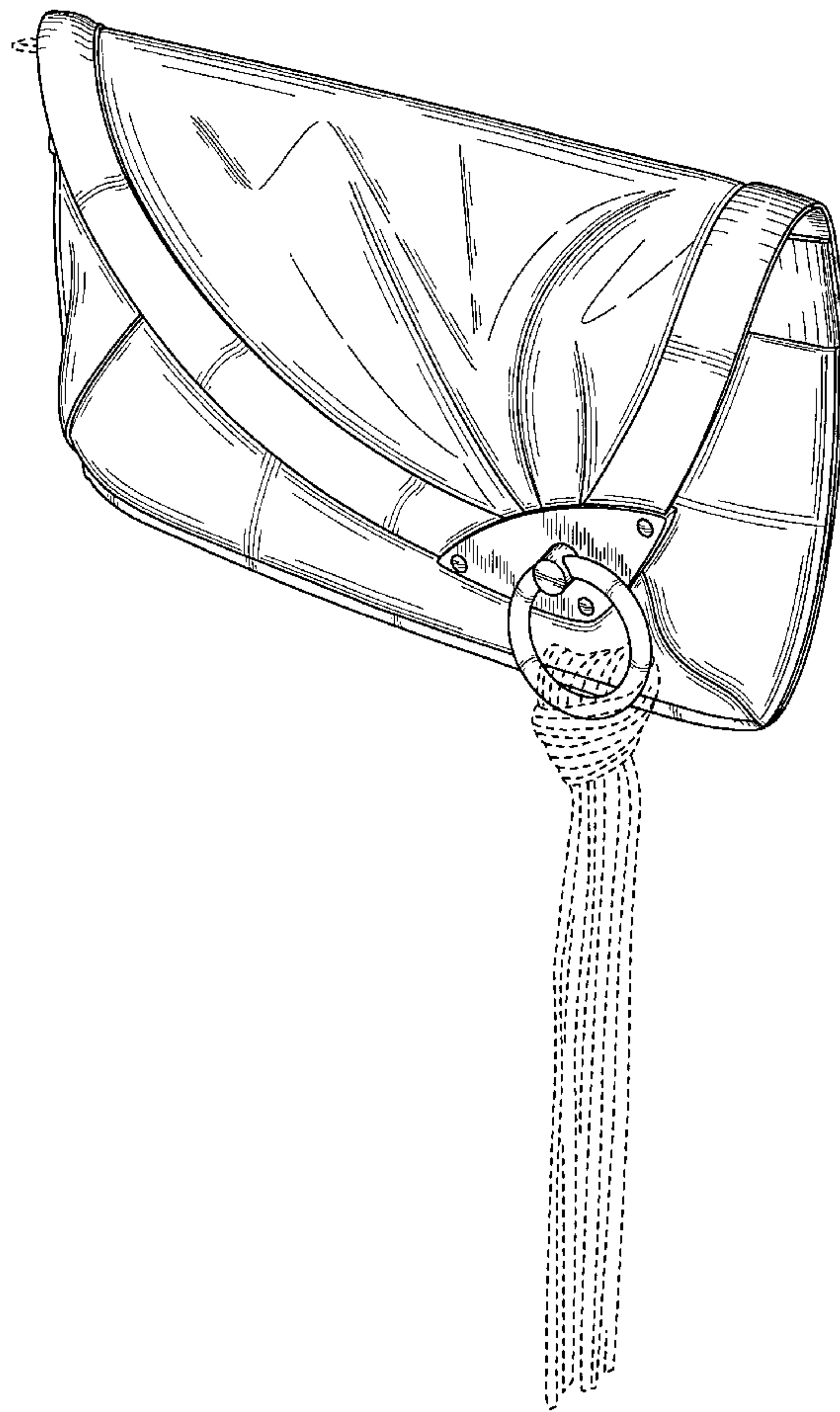
FIG. 5 is a left side view of the handbag shown in FIG. 1;

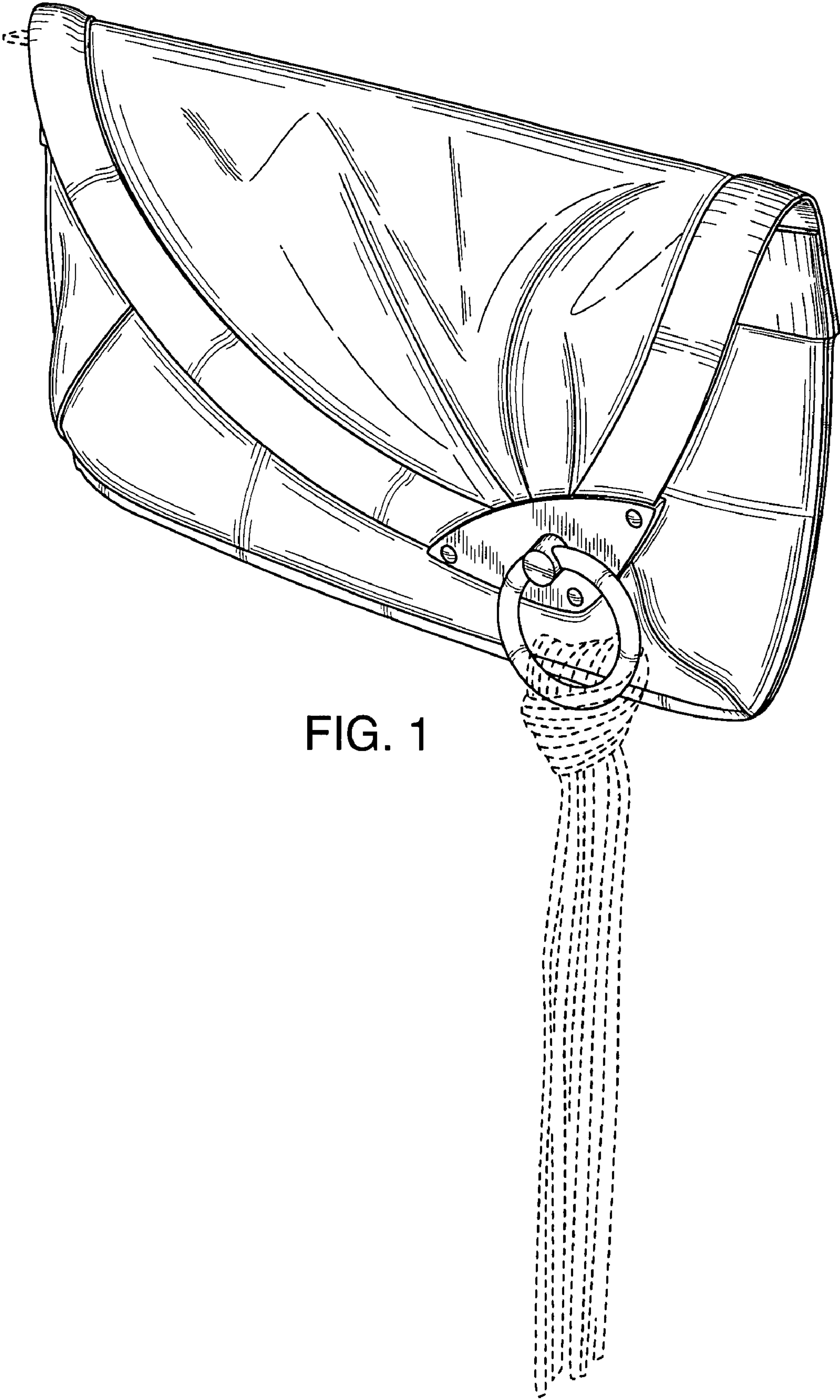
FIG. 6 is a top view of the handbag shown in FIG. 1; and,

FIG. 7 is a bottom view of the handbag shown in FIG. 1.

The broken line showing of the tassel, zipper, rivets, and body of bag is for illustrative purposes only and forms no part of the claimed design.

1 Claim, 5 Drawing Sheets





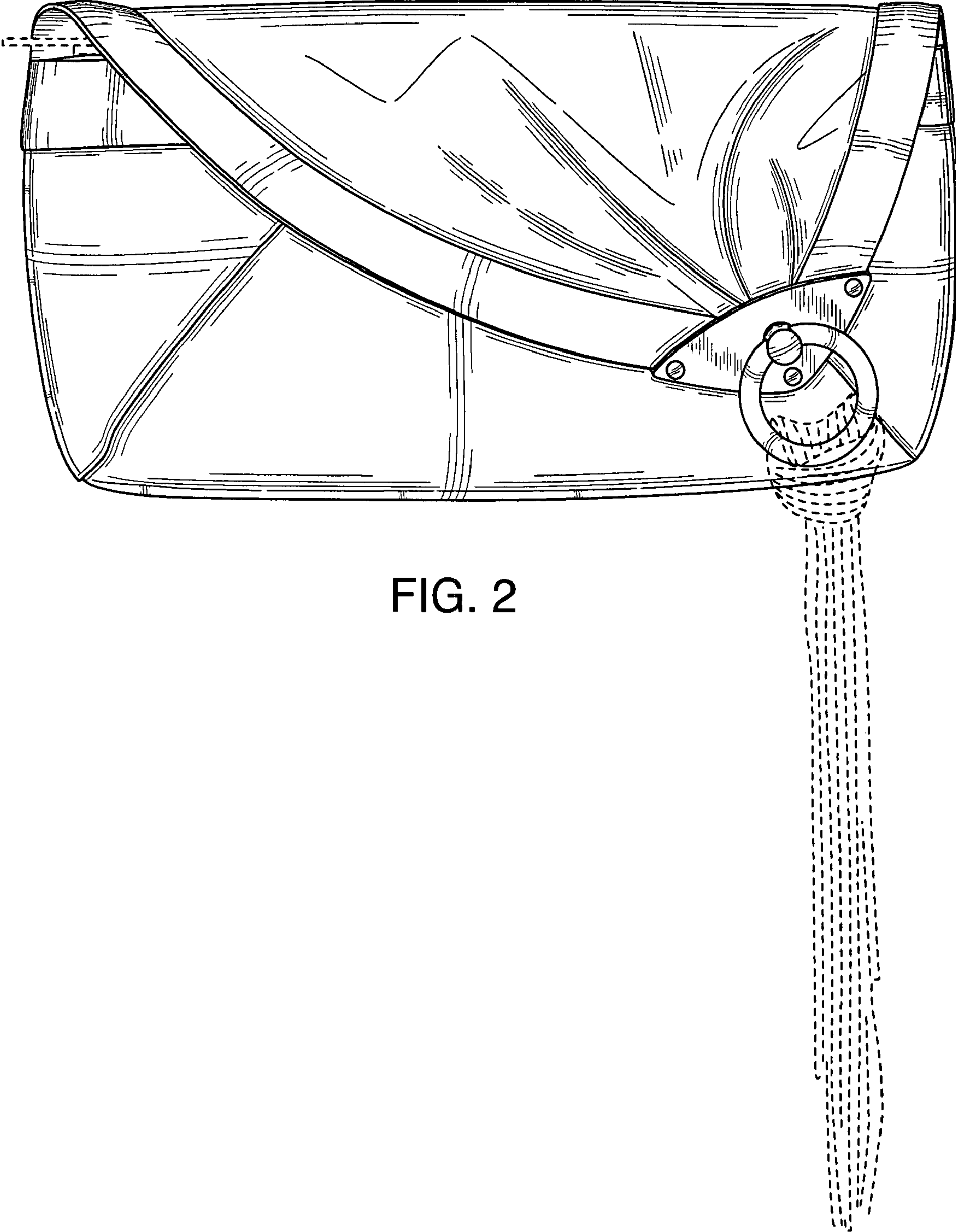


FIG. 2

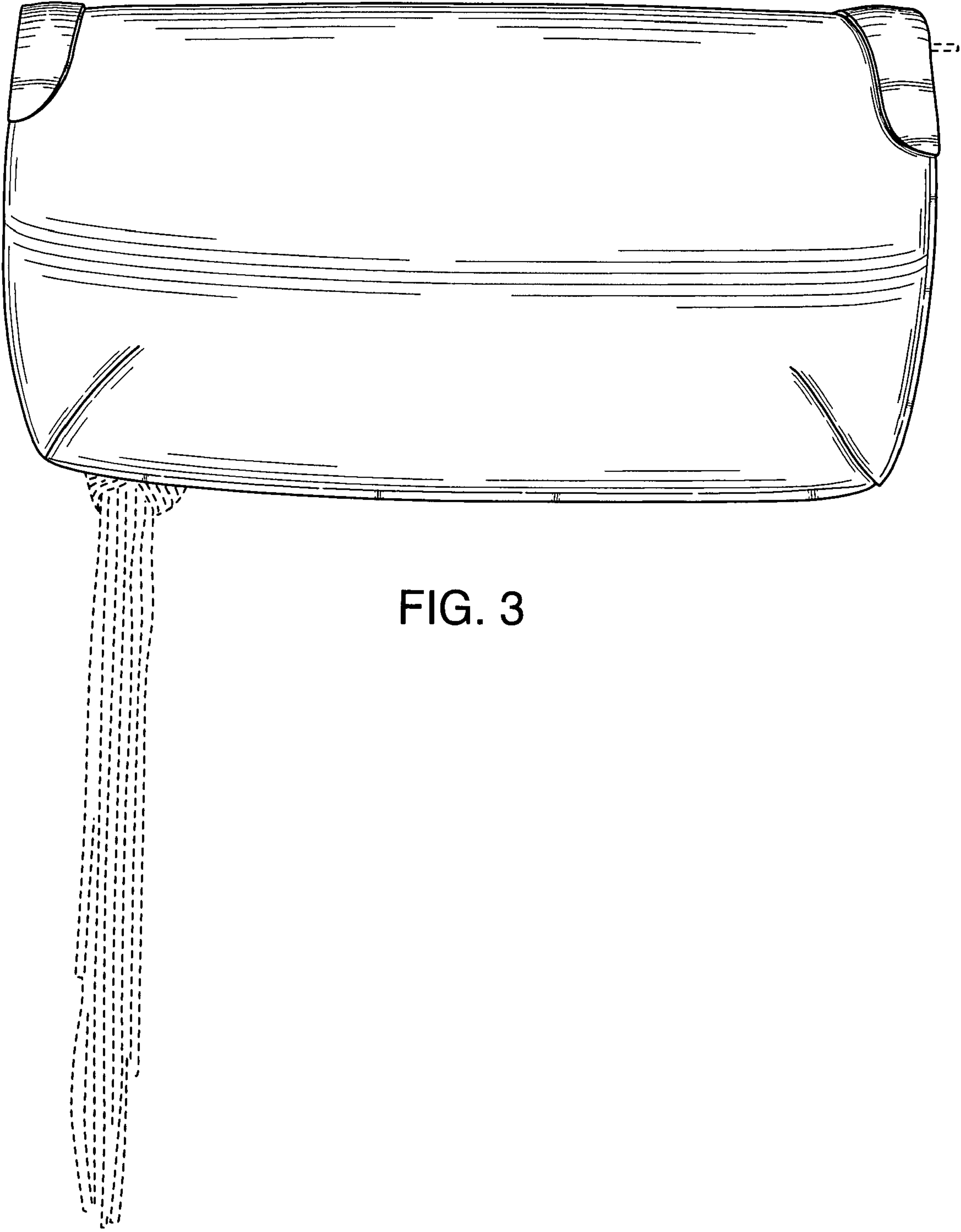


FIG. 3

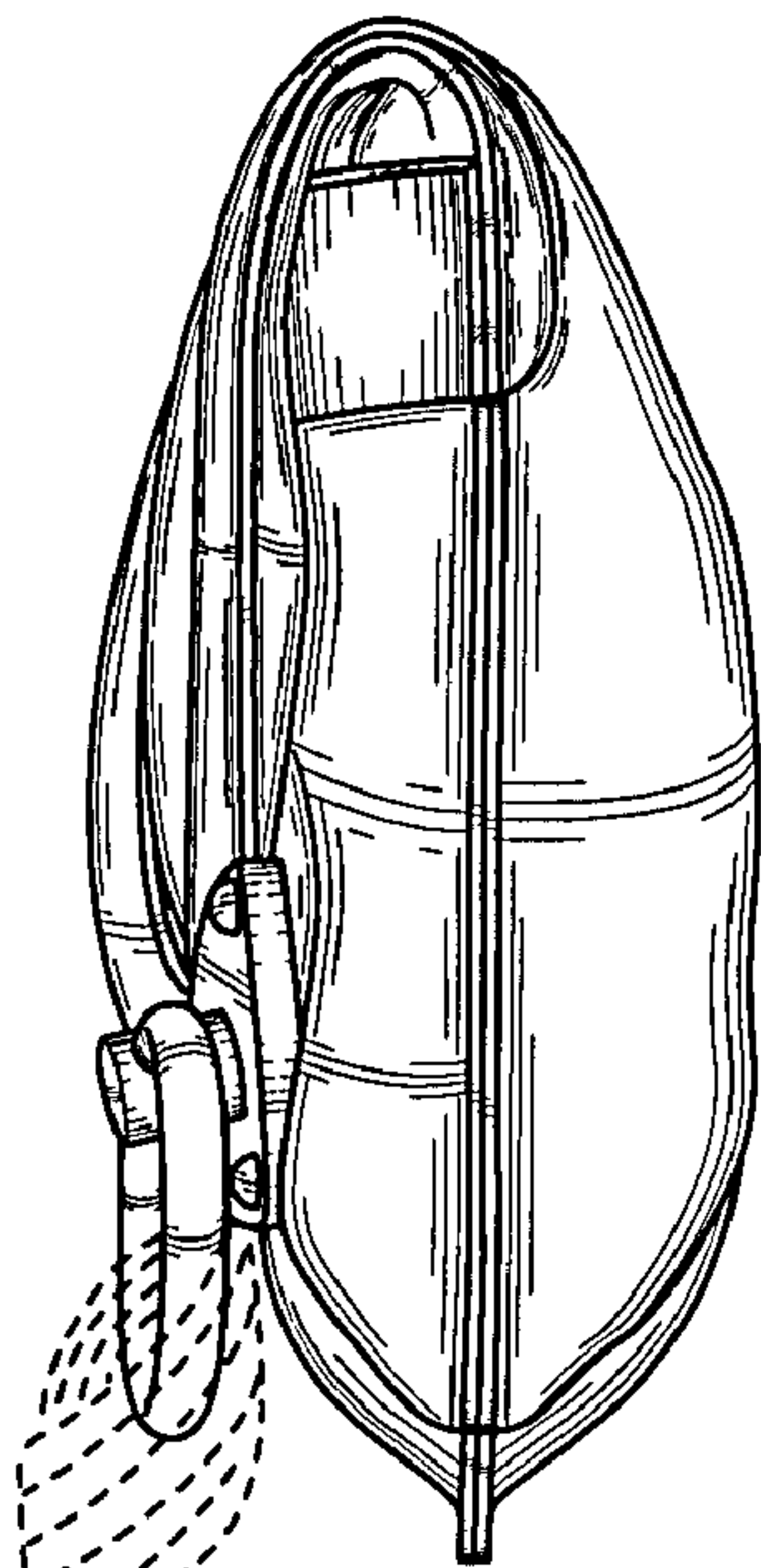


FIG. 4

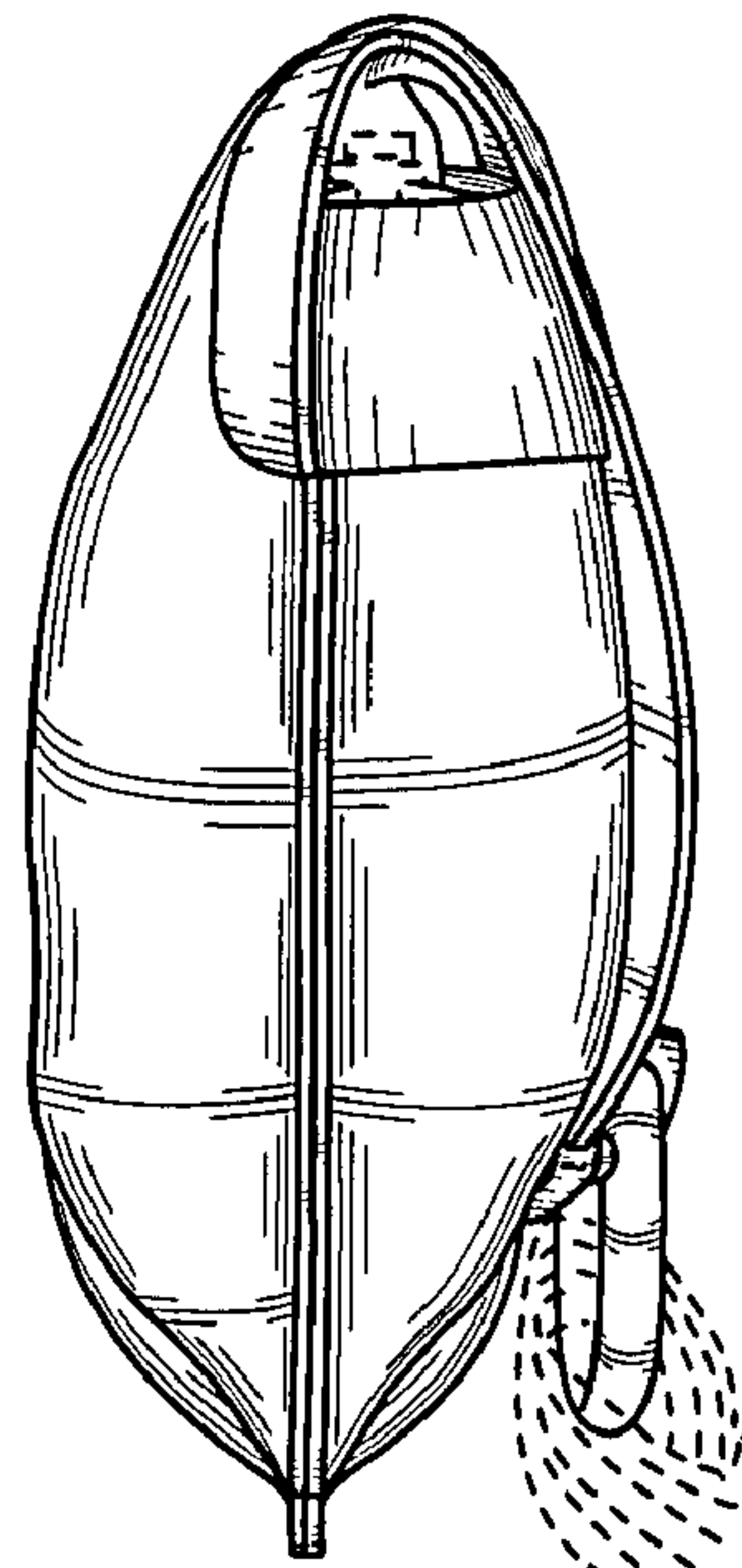


FIG. 5

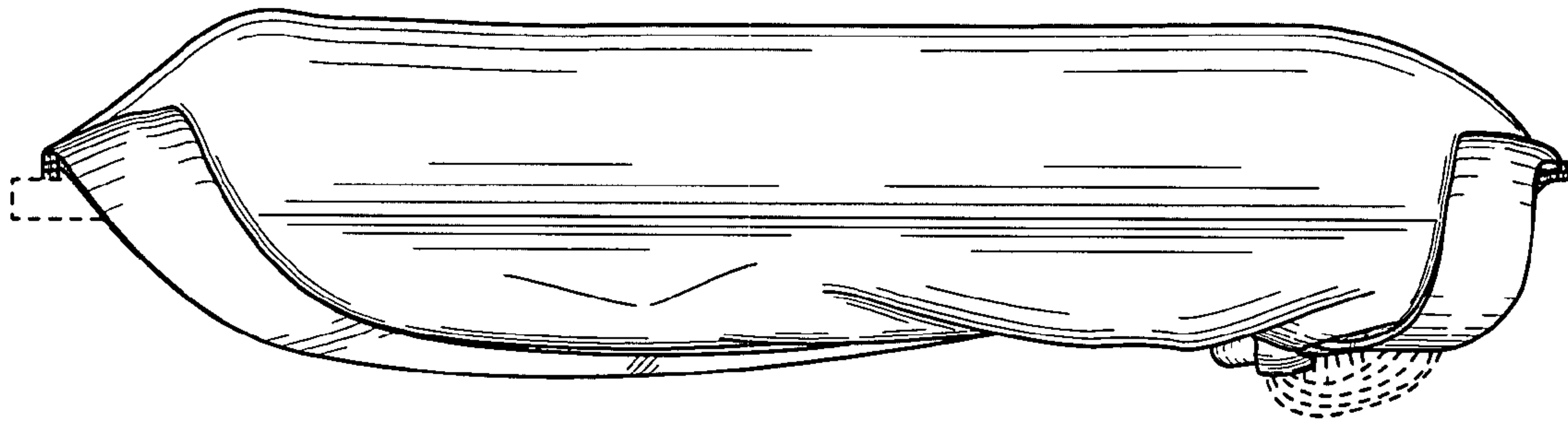


FIG. 6

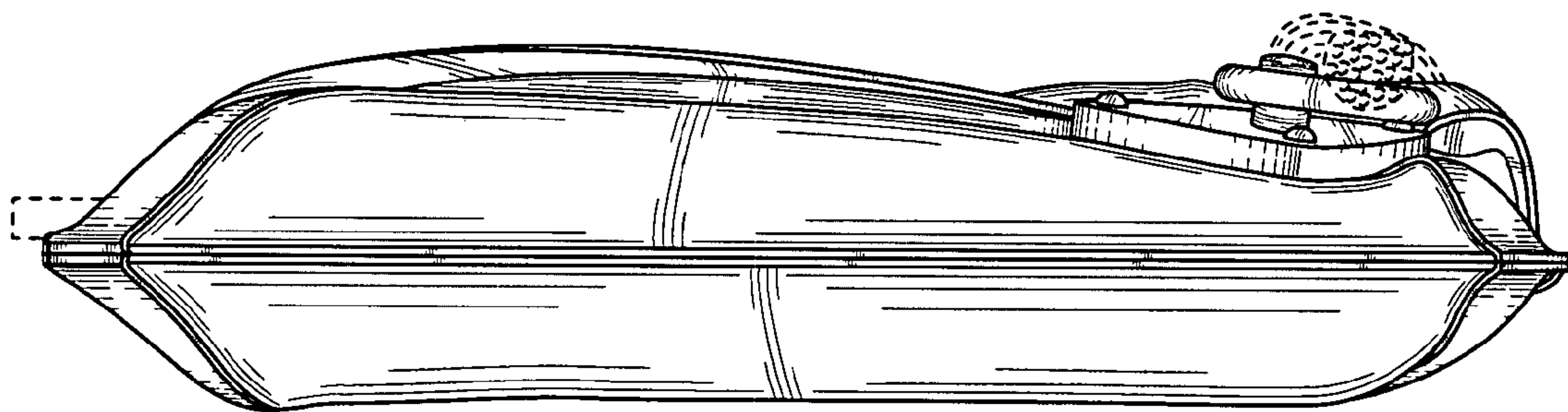


FIG. 7