

US00D588357S

(12) **United States Design Patent**
Fabricius

(10) **Patent No.:** **US D588,357 S**

(45) **Date of Patent:** **** Mar. 17, 2009**

(54) **PURSE**

D539,537 S * 4/2007 Guyon D3/246

(76) Inventor: **Jacqueline A. Fabricius**, 194 Everwild
La., Rochester, NY (US) 14616

* cited by examiner

Primary Examiner—Holly H Baynham
(74) *Attorney, Agent, or Firm*—Tracy P. Jong

(**) Term: **14 Years**

(21) Appl. No.: **29/291,544**

(57) **CLAIM**

(22) Filed: **Sep. 4, 2007**

The ornamental design for a purse, as shown and described.

(51) **LOC (9) Cl.** **03-01**

DESCRIPTION

(52) **U.S. Cl.** **D3/232**

(58) **Field of Classification Search** D3/232–234,
D3/238, 240–246, 318, 324; 150/100, 103–104,
150/107–110, 118–119

FIG. 1 is a front side perspective of a purse showing the design;

FIG. 2 is an exploded view of FIG. 1;

FIG. 3 front elevational view thereof;

FIG. 4 is a right side elevational view thereof;

FIG. 5 is a rear elevational view thereof;

FIG. 6 is a left side elevational view thereof;

FIG. 7 is a top plan view thereof; and,

FIG. 8 is a bottom plan view thereof.

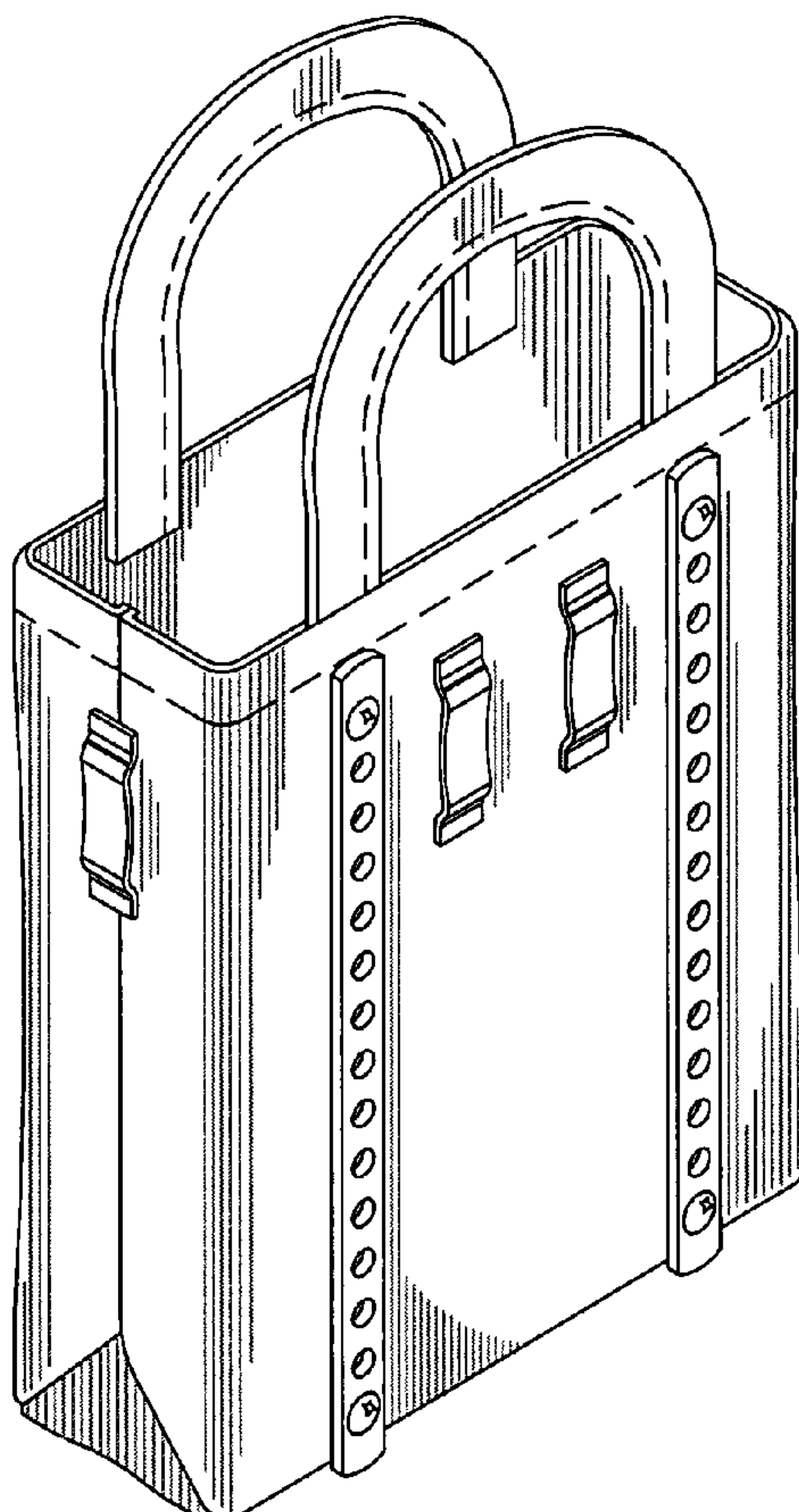
See application file for complete search history.

(56) **References Cited**

U.S. PATENT DOCUMENTS

D501,598 S *	2/2005	Guyon	D3/246
D523,632 S *	6/2006	Handley	D3/246
D531,404 S *	11/2006	Marttila	D3/246
D535,820 S *	1/2007	Kamiya	D3/246
D539,536 S *	4/2007	Guyon	D3/243

1 Claim, 8 Drawing Sheets



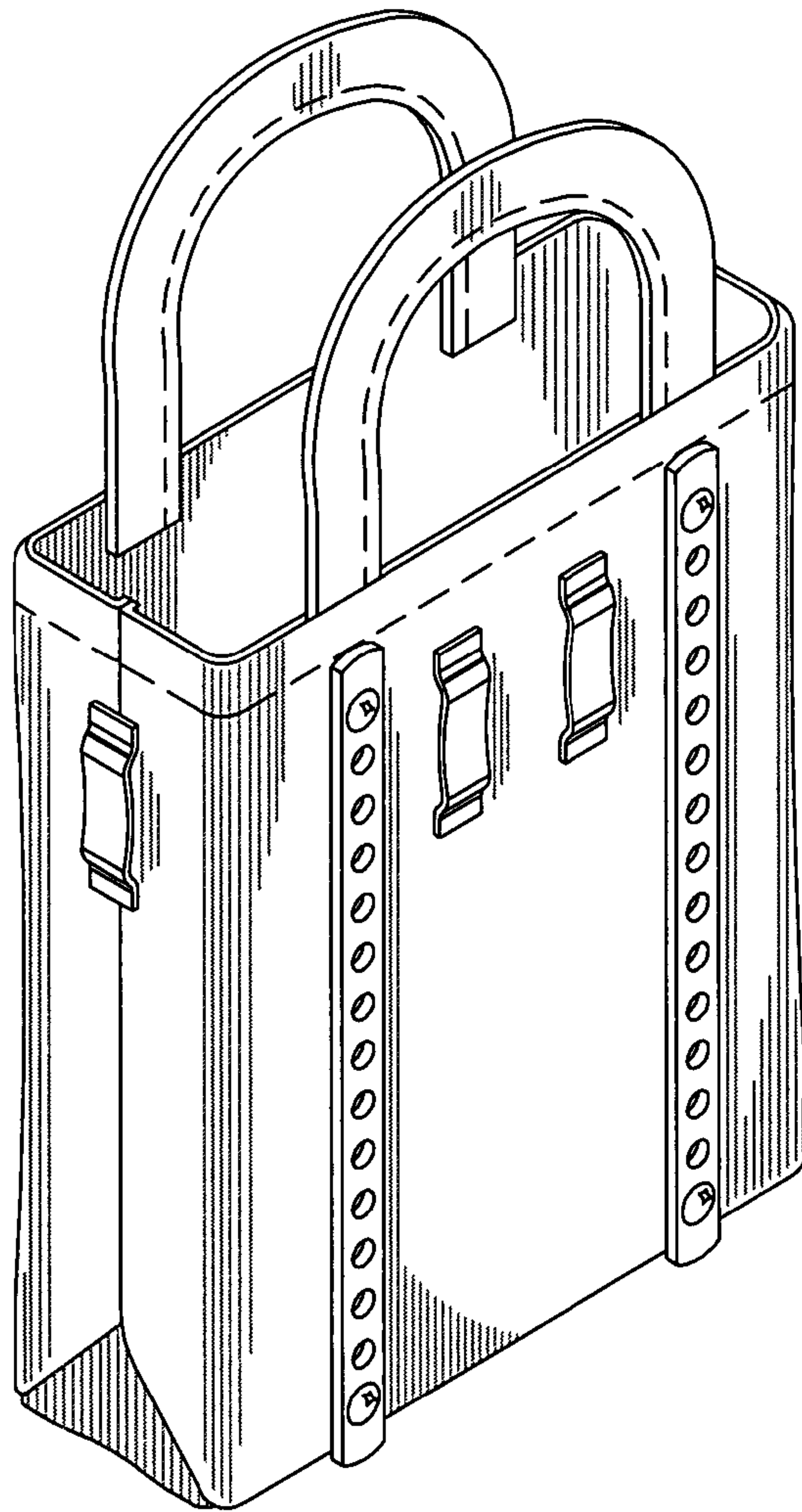


FIG. 1

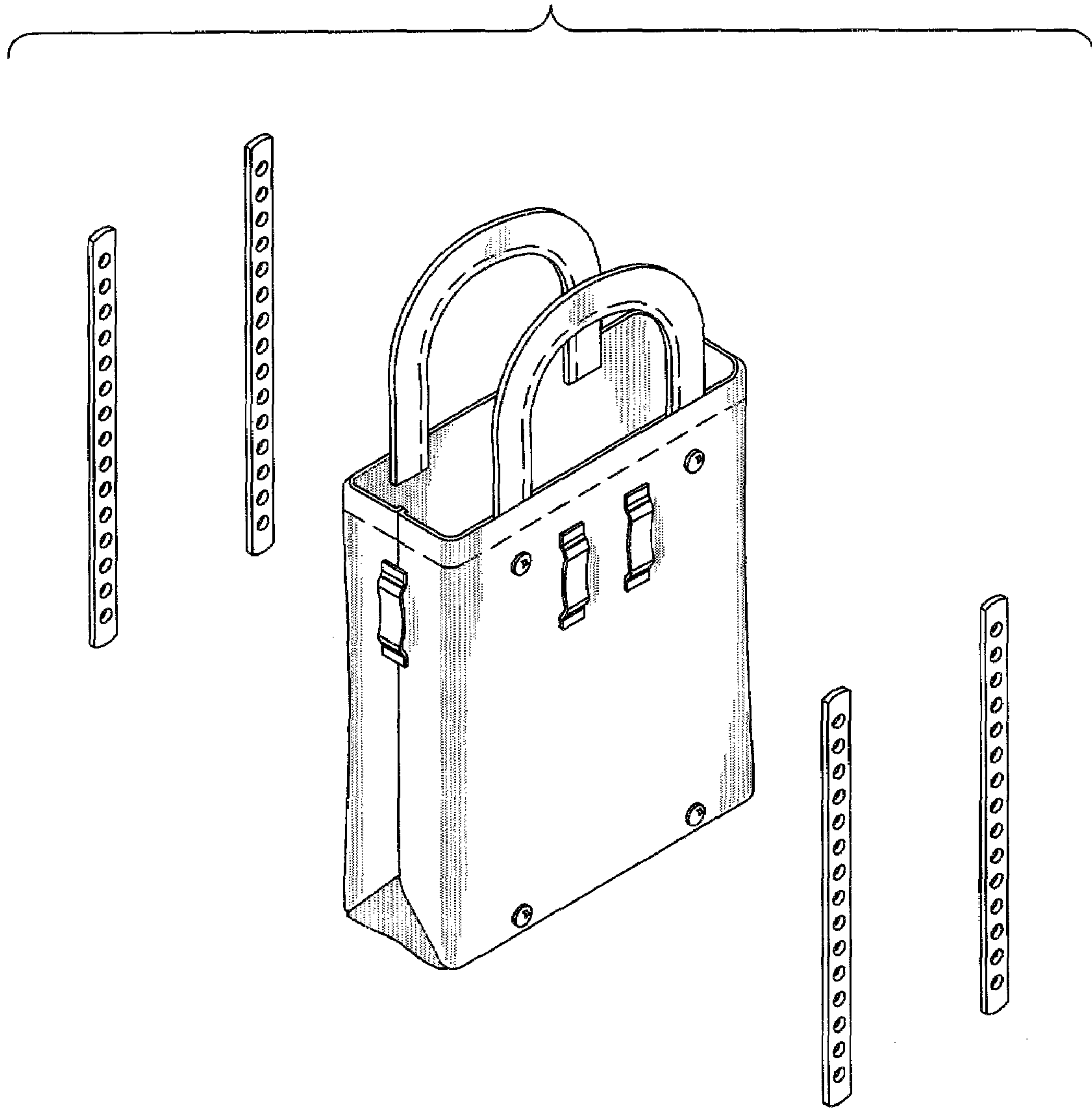


FIG. 2

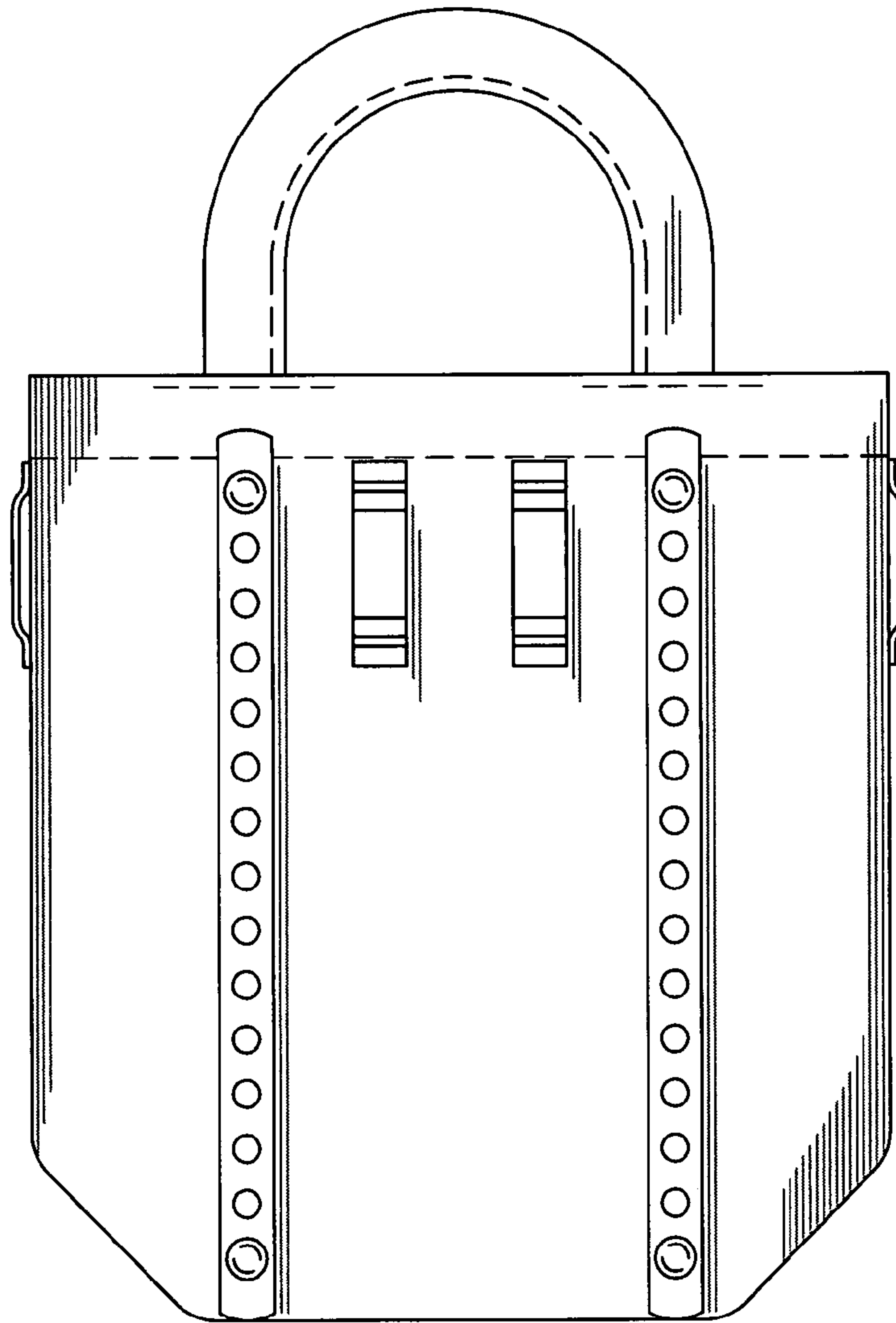


FIG. 3

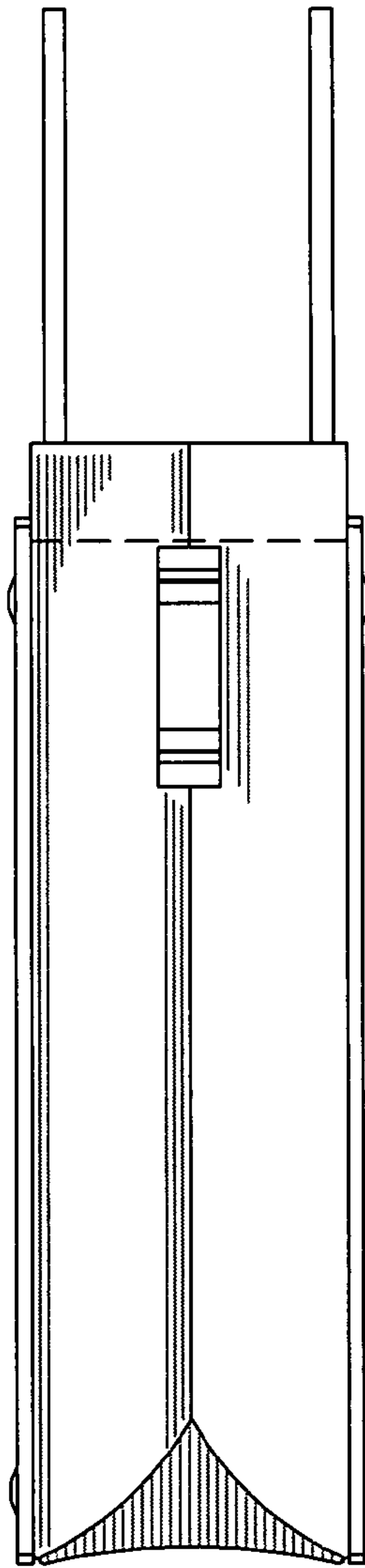


FIG. 4

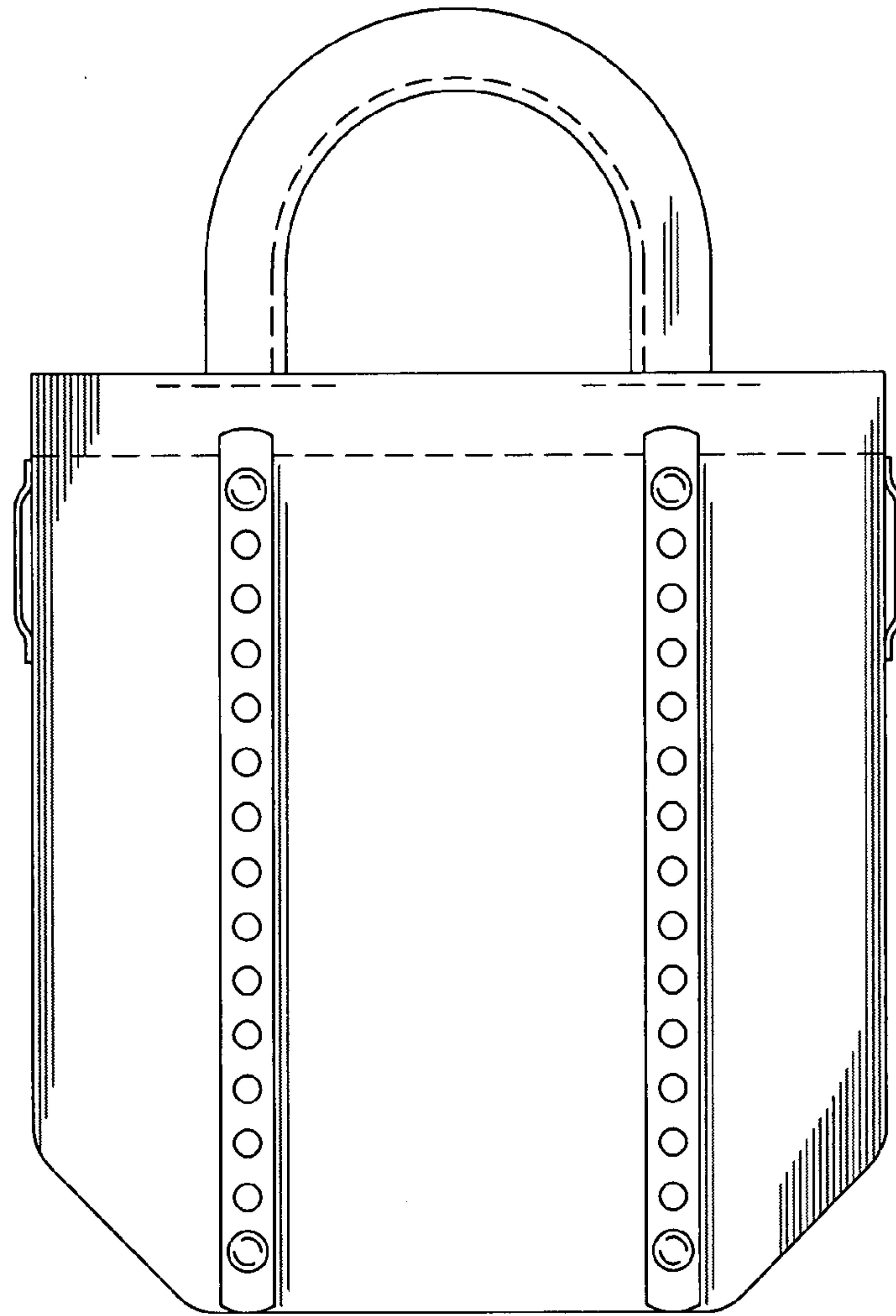


FIG. 5

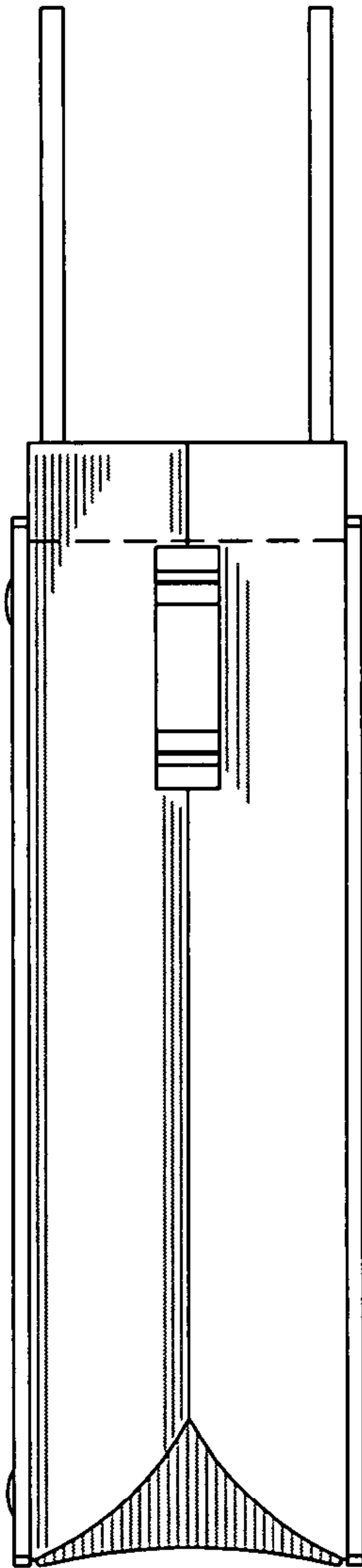


FIG. 6

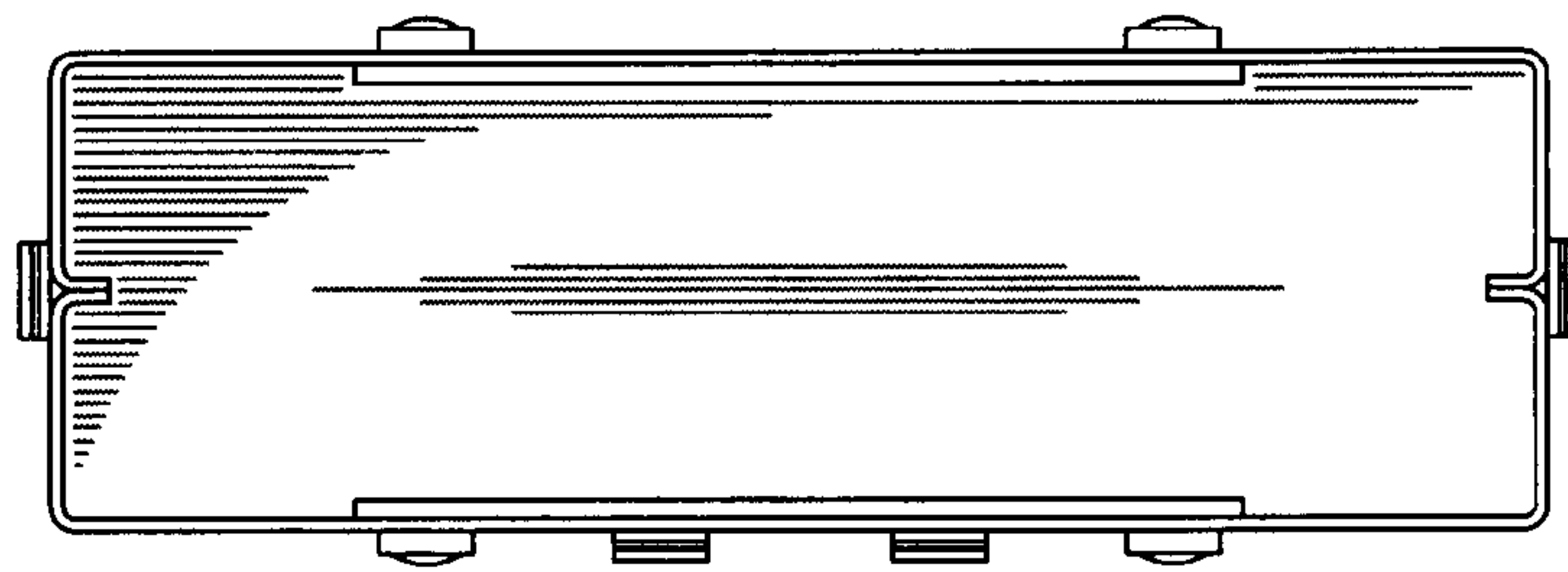


FIG. 7

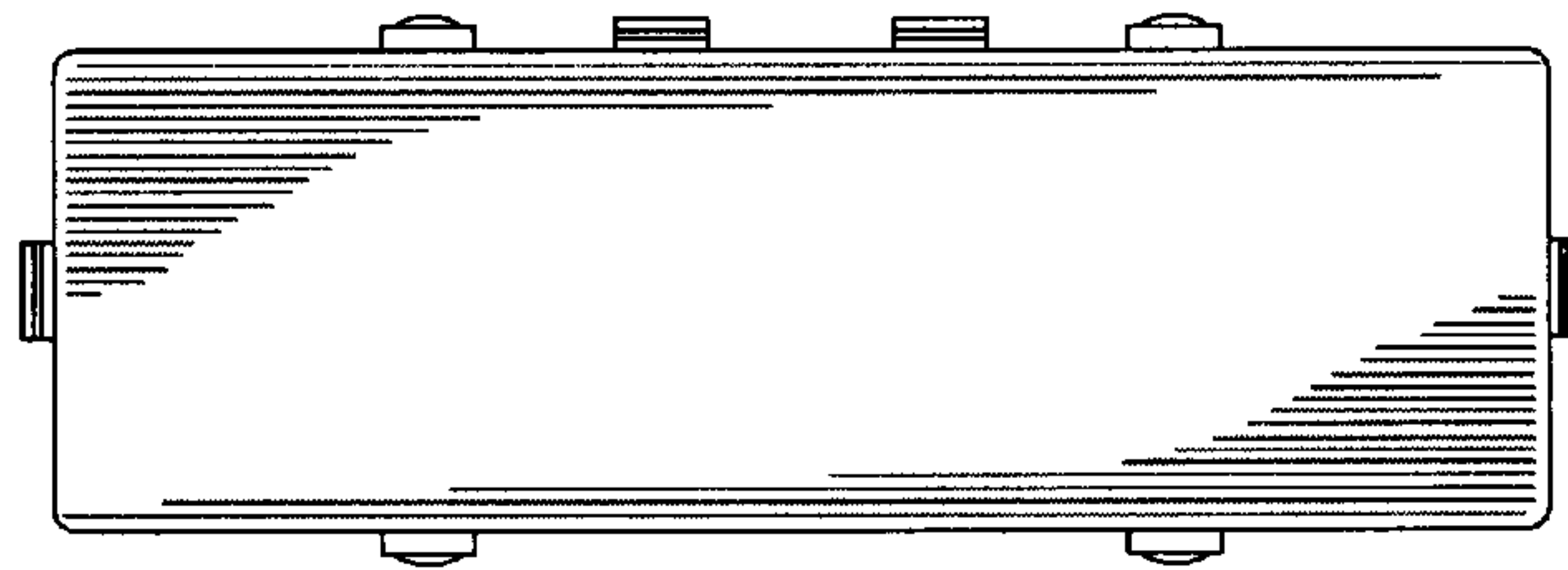


FIG. 8