



US00D588346S

(12) **United States Design Patent**
McCarthy

(10) **Patent No.:** **US D588,346 S**

(45) **Date of Patent:** **** Mar. 17, 2009**

(54) **FOOTWEAR SOLE**

D350,223 S 9/1994 Buckner
5,369,895 A 12/1994 Hammerschmidt

(75) Inventor: **Kevin McCarthy**, Sammamish, WA
(US)

(Continued)

(73) Assignee: **Crocs, Inc.**, Niwot, CO (US)

FOREIGN PATENT DOCUMENTS

(**) Term: **14 Years**

CA 2199084 10/1997

(21) Appl. No.: **29/228,429**

(22) Filed: **Apr. 22, 2005**

(Continued)

(30) **Foreign Application Priority Data**

OTHER PUBLICATIONS

Mar. 11, 2005 (EM) 000308903-0001

Crocs, Inc., Footwear Pieces and Methods for Manufacturing Such,
U.S. Appl. No. 10/602,416, filed Jun. 23, 2003.

(51) **LOC (9) Cl.** **09-01**

(Continued)

(52) **U.S. Cl.** **D2/947**

(58) **Field of Classification Search** D2/896,
D2/902, 907, 908, 916, 947, 951, 954, 957,
D2/958, 959, 960; 32/134, 3 B, 24.5, 25 R,
32/32 R, 43

Primary Examiner—Ian Simmons
Assistant Examiner—Dana L Sipos
(74) *Attorney, Agent, or Firm*—Faegre & Benson, LLP

See application file for complete search history.

(57) **CLAIM**

(56) **References Cited**

The ornamental design for a footwear sole, as shown and described.

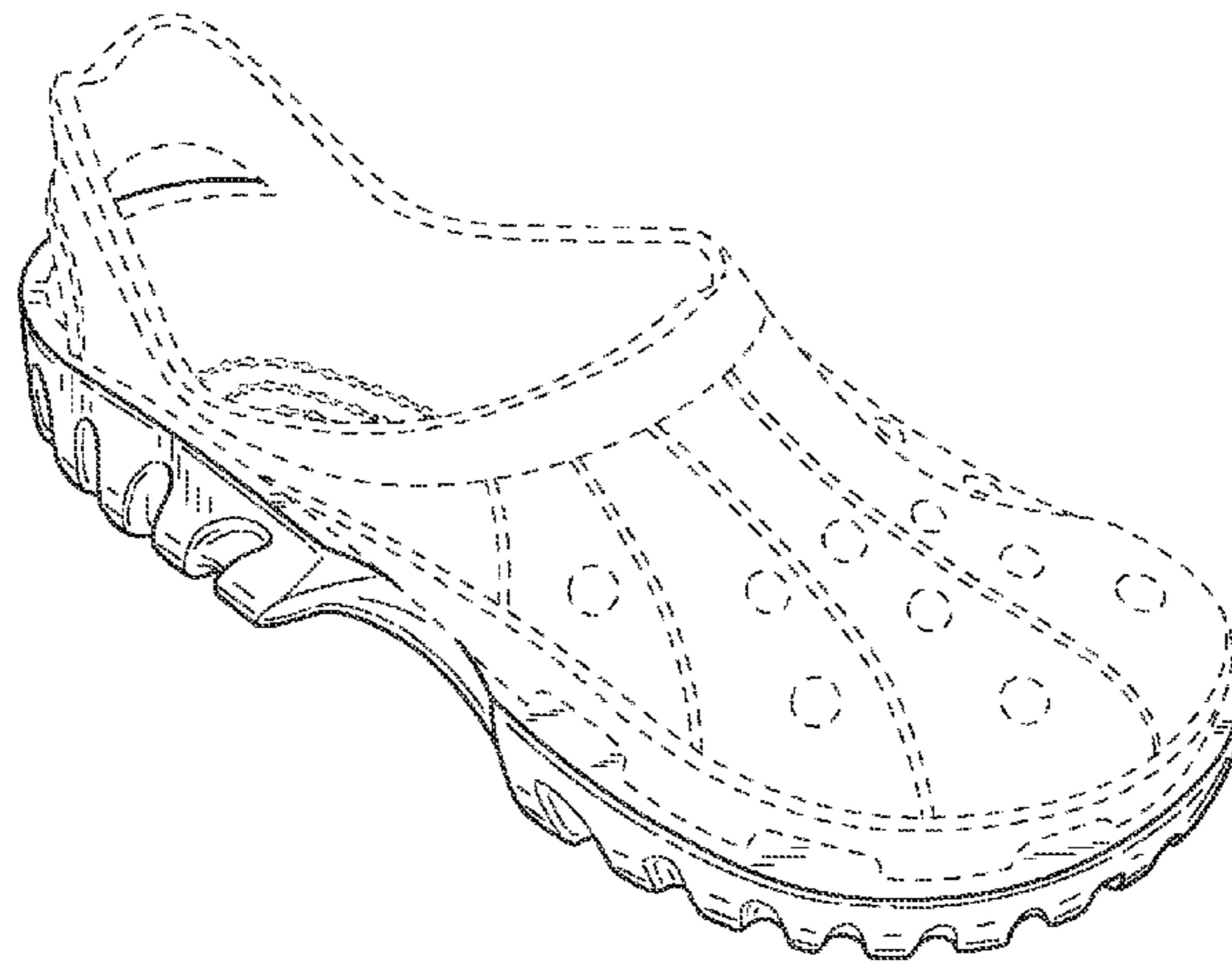
U.S. PATENT DOCUMENTS

1,392,350 A	10/1921	O'Brien
D66,083 S	11/1924	Johnson
2,180,924 A	11/1939	Dunbar
D151,304 S	10/1948	Walsh
2,470,089 A	5/1949	Booth
D155,956 S	11/1949	Wood
2,897,566 A	8/1959	Albiniano
3,407,517 A	10/1968	Gessner
3,698,107 A	10/1972	Fukuoka
4,032,611 A	6/1977	Fukuoka
D247,136 S	2/1978	Mizoguchi
4,100,685 A	7/1978	Dassler
D251,158 S	2/1979	Edmonds
4,408,401 A	10/1983	Seidel et al.
4,476,600 A	10/1984	Seidel et al.
4,888,887 A	12/1989	Solow
4,967,750 A	11/1990	Cherniak
D345,245 S	3/1994	McDonald
D350,021 S	8/1994	Stein

DESCRIPTION

FIG. 1 is a top, front, left side perspective view of a footwear sole showing my new design;
FIG. 2 is a front elevational view thereof;
FIG. 3 is a rear elevational view thereof;
FIG. 4 is a right side elevational view thereof;
FIG. 5 is a left side elevational view thereof;
FIG. 6 is a top plan view thereof; and,
FIG. 7 is a bottom plan view thereof.
The broken lines shown in the drawings are for illustrative purposes only and form no part of the claimed design.

1 Claim, 4 Drawing Sheets



U.S. PATENT DOCUMENTS

D355,526	S	2/1995	Duclos	
5,438,767	A	8/1995	Stein	
D368,797	S	4/1996	Brooks et al.	
5,528,841	A	6/1996	Pozzobon	
5,561,919	A	10/1996	Gill	
5,615,496	A	4/1997	Sharpstein	
5,651,195	A	7/1997	Clancy	
D381,794	S	8/1997	Gelli	
5,736,167	A	4/1998	Chang	
5,814,254	A	9/1998	Bisconti	
D405,596	S	* 2/1999	Aird et al.	D2/957
D415,606	S	10/1999	Bray, Jr. et al.	
D416,667	S	11/1999	Lamstein	
D418,281	S	1/2000	Bray, Jr. et al.	
D422,780	S	4/2000	Aguerre	
6,052,920	A	4/2000	Bathum	
D425,689	S	* 5/2000	Jannard et al.	D2/956
D428,239	S	7/2000	Plamondon	
D428,242	S	* 7/2000	Truelsen	D2/960
D431,346	S	10/2000	Birkenstock	
D433,791	S	* 11/2000	Laberge	D2/957
6,237,249	B1	5/2001	Aguerre	
6,237,250	B1	5/2001	Aguerre	
6,256,906	B1	7/2001	Matis et al.	
D448,147	S	* 9/2001	Zimmer et al.	D2/953
D448,918	S	10/2001	Hoyt et al.	
D450,429	S	* 11/2001	McClaskie	D2/958
D452,366	S	12/2001	Wilson	
6,416,610	B1	7/2002	Matis et al.	
6,439,536	B1	8/2002	Piccolo	
D462,157	S	* 9/2002	Burt	D2/953
D467,065	S	12/2002	Chen	
D467,712	S	* 12/2002	Delgorgue et al.	D2/957
D473,040	S	4/2003	Hawker et al.	
6,560,900	B2	5/2003	Bray, Jr. et al.	
D476,797	S	7/2003	Schenone	
D479,034	S	9/2003	Tzenos	
D479,906	S	9/2003	Hawker et al.	
6,625,904	B1	9/2003	Frederiksen	
6,640,464	B2	11/2003	Hsin et al.	
D483,929	S	12/2003	Tzenos	
D490,219	S	5/2004	Lu	
D492,095	S	6/2004	Sanchez et al.	
D492,096	S	6/2004	Sanchez et al.	
D492,841	S	7/2004	Magro	
D493,611	S	8/2004	Chen	
D494,345	S	8/2004	Werman	
6,772,539	B1	8/2004	Tai	
D498,901	S	11/2004	Hawker et al.	
D499,234	S	12/2004	Dal Magro et al.	
D500,587	S	1/2005	Doxey	
6,860,035	B2	3/2005	Girard	
D517,788	S	3/2006	Seamans	
D517,789	S	3/2006	Seamans	
D517,790	S	3/2006	Seamans	
D523,614	S	* 6/2006	Mitchell	D2/960
D525,419	S	7/2006	Seamans	
D535,088	S	1/2007	Seamans	
D543,341	S	5/2007	Seamans	
2001/0001350	A1	5/2001	Aguerre	
2002/0124434	A1	9/2002	Hsin et al.	
2003/0009909	A1	1/2003	Chen	
2003/0074806	A1	4/2003	Urie et al.	
2004/0231189	A1	11/2004	Seamans	
2004/0231190	A1	11/2004	Seamans	
2004/0231191	A1	11/2004	Seamans	

FOREIGN PATENT DOCUMENTS

CA	2238842	12/1998
CA	2375957	9/2002

EM	000061122-0001	11/2003
EM	000257001-0001	2/2005
EM	000257001-0002	2/2005
EM	000257001-0003	2/2005
EM	000308903-0001	5/2005
EM	000308903-0002	5/2005
EM	000308903-0003	5/2005
EM	000308903-0004	5/2005
EM	000408745-0001	12/2005
EM	000408745-0002	12/2005
EP	0 802 039 A2	10/1997
EP	0 802 040 A2	10/1997
EP	0 802 041 A2	10/1997
EP	0 884 005 A1	12/1998
FR	2 595 213	9/1987
GB	2322286	8/1998
WO	WO 2004/105531 A1	12/2004
WO	WO 2004/105534 A2	12/2004
WO	WO 2004/105534 A3	12/2004

OTHER PUBLICATIONS

Crocs, Inc., Breathable Workshoes and Methods for Manufacturing Such, U.S. Appl. No. 10/603,126, filed Jun. 23, 2003.

Crocs, Inc., Footwear Molds, U.S. Appl. No. 10/803,569, filed Mar. 17, 2004.

Crocs, Inc., Footwear, U.S. Appl. No. 29/206,288, filed May 28, 2004.

Crocs, Inc., Footwear, U.S. Appl. No. 29/206,427, filed May 28, 2004.

Crocs, Inc., Footwear, U.S. Appl. No. 29/206,450, filed May 28, 2004.

Crocs, Inc., Footwear Upper, U.S. Appl. No. 29/226,792, filed Mar. 31, 2005.

Crocs, Inc., Footwear Upper Portion, U.S. Appl. No. 29/226,793, filed Mar. 31, 2005.

Crocs, Inc., Footwear Upper, U.S. Appl. No. 29/226,856, filed Mar. 31, 2005.

Crocs, Inc., Footwear Upper, U.S. Appl. No. 29/226,870, filed Mar. 31, 2005.

Crocs, Inc., Footwear Upper, U.S. Appl. No. 29/228,428, filed Apr. 22, 2005.

Crocs, Inc., Footwear, U.S. Appl. No. 29/237,102, filed Aug. 25, 2005.

Crocs, Inc., Footwear, U.S. Appl. No. 29/237,103, filed Aug. 25, 2005.

Crocs, Inc., U.S. Appl. No. 11/226,050, filed Sep. 13, 2005.

Crocs, Inc., Footwear, U.S. Appl. No. 29/241,478, filed Oct. 26, 2005.

Crocs, Inc., Footwear, U.S. Appl. No. 29/241,490, filed Oct. 26, 2005.

Crocs, Inc., Footwear Upper, U.S. Appl. No. 29/243,850, filed Nov. 30, 2005.

Crocs, Inc., Footwear, U.S. Appl. No. 29/244,661, filed Dec. 8, 2005.

Crocs, Inc., Footwear, U.S. Appl. No. 29/245,453, filed Dec. 19, 2005.

Crocs, Inc., Footwear, U.S. Appl. No. 29/251,316, filed Jan. 6, 2006.

Crocs, Inc., Footwear, U.S. Appl. No. 29/251,384, filed Jan. 6, 2006.

Crocs, Inc., Footwear, U.S. Appl. No. 29/251,383, filed Jan. 6, 2006.

Crocs, Inc., Footwear, U.S. Appl. No. 29/251,329, filed Jan. 6, 2006.

Crocs, Inc., Footwear, U.S. Appl. No. 29/252,526, filed Jan. 23, 2006.

Crocs, Inc., Footwear, U.S. Appl. No. 29/252,517, filed Jan. 23, 2006.

Comfortable Walking, Italian Technology, Oct. 1999, n. 3, p. 168 (abstract, 1 page).

Complaint, *Holey Soles Holdings LTD v. Foam Creations, Inc. and CROCS, Inc.* (05CV6893 (MBM) (AJP) S.D.N.Y. filed Aug. 2, 2005) (including Appendices A-D, 59 pages).

Cindy MacDonald, "The Entrepreneurs: they're bilingual, multicultural and talented. Distance and language present no barriers to Quebec plastics processors and mold makers as the province's plastics industry continues to increase its level of exports and welcome new companies," *Canadian Plastics*, O'99, v. 57(10), p. 35-50 (9 pages).

Defendant's Response to Request for Particulars, *Foam Creations Inc. v. Holey Soles Holdings Ltd.*, Ontario, Canada Federal Court, Court File No. T-161-05, Apr. 22, 2005, Oyen Wiggs Green & Mutala LLP (including Appendices A-C, 236 pages).

Defendant's Statement of Defence, *Foam Creations Inc. v. Holey Soles Holdings Ltd.*, Ontario, Canada Federal Court, Court File No. T-161-05, Mar. 10, 2005, Oyen Wiggs Green & Mutala LLP (9 pages).

The Elastomers Times: Engage Adds Comfort to Sporting Components, *Chemical Business New Base: The Elastomers Times*, Dec. 1, 2000 (2 pages).

"FinProject Brews an Extralight (Evasol Plastics and Finproject signed a joint venture agreement to introduce a range of new-block and net-fit soles for shoes)," *Footwear News, World Week*, Aug. 4, 1997, v. 53, n. 31, p. 8 (3 pages).

Injected Eva, *Macplas International*, Aug. 1999, n. 10, p. 90 (abstract, 1 page).

Luisa Zargani, "One Fine Year; Anton Magnani's Quirky Dry-Shod Designs have Gained the Italian Designer Respect, Recognition and a Deal with Comme Des Garcons," *Footwear News*, Aug. 2, 1999, p. 102 (2 pages).

Plaintiff's Statement of Claim, *Foam Creations Inc. vs. Holey Soles Holdings Ltd.*, Ontario, Canada Federal Court, Jan. 28, 2005, Ridout & Maybee LLP (8 pages).

Plaintiff's Request for Particulars of Defence, *Foam Creations Inc. vs. Holey Soles Holdings Ltd.*, Ontario, Canada Federal Court, Court File No. T-161-05, May 1, 2005, Ridout & Maybee LLP (5 pages).

Plaintiff's Further Request for Particulars, *Foam Creations Inc. vs. Holey Soles Holdings Ltd.*, Ontario, Canada Federal Court, Court File No. T-161-05, May 12, 2005, Ridout & Maybee (including Schedule A, 6 pages).

Plaintiff's Reply, *Foam Creations Inc. vs. Holey Soles Holdings Ltd.*, Ontario, Canada Federal Court, Court File No. T-161-05, Ridout & Maybee (7 pages).

Rhoda Miel, "Snowshoe Walks Away with Best Design," *Plastics News*, Apr. 22, 2002, v. 14, n. 8, p. 4 (2 pages).

Trade Name Record, Official Gazette of the US Patents and Trademarks Office, Mar. 24, 1998, 1208, n. 4, p. 73, (abstract, 1 page).

Walking on Modified Eva, *Italian Technology*, May 1999, n. 2, p. 121, (abstract, 1 page).

Engage® polyolefin elastomers, the critical ingredient for Success, DuPont Dow Elastomers, Copyright© 2000, DuPont Dow Elastomers, www.dupont-dow.com/engage (12 pages).

<http://web.archive.org/web/19980420234313/www.birkenstock.com/profsbot.htm> (apparently archived Apr. 20, 1998) (3 pages).

* cited by examiner

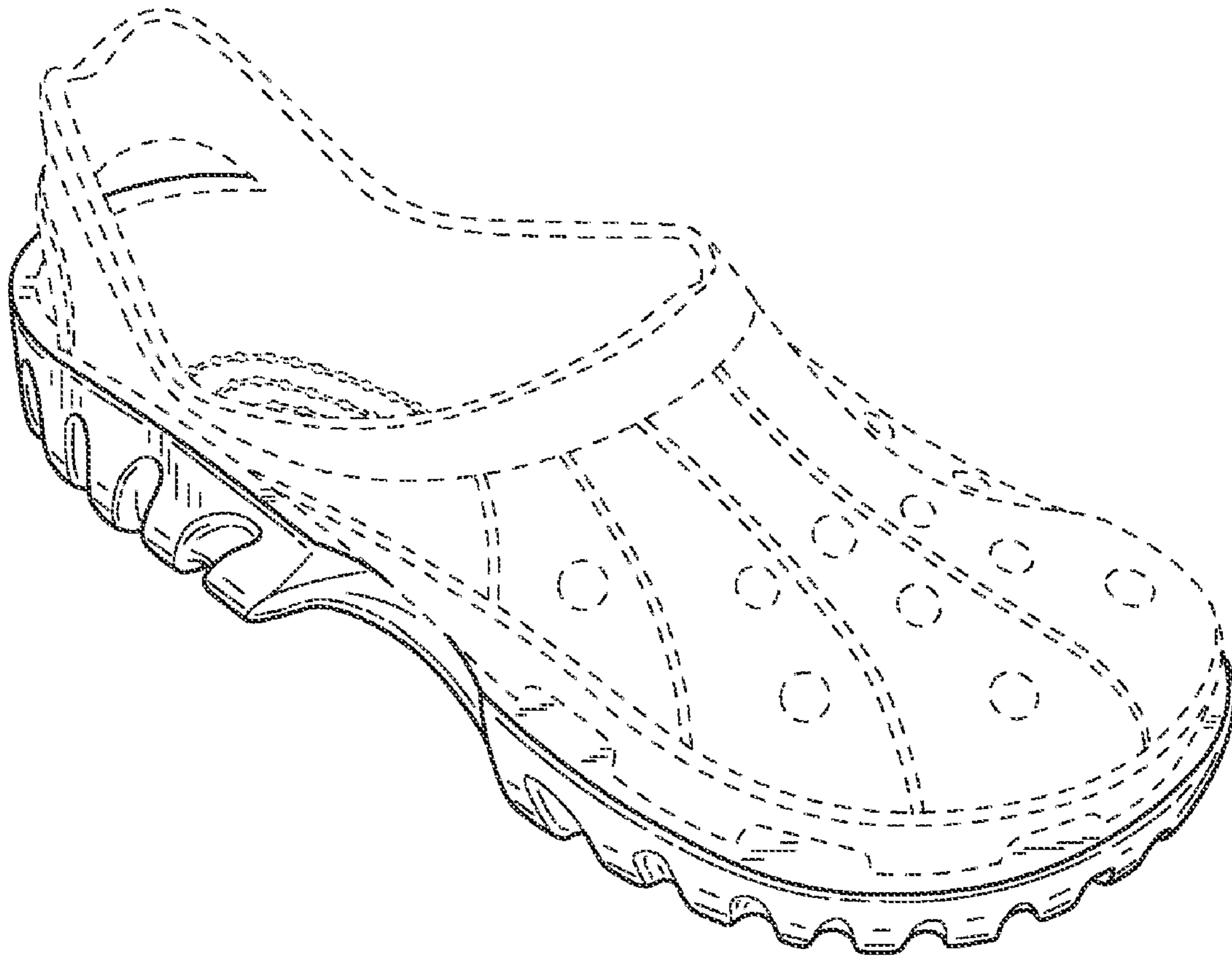


FIG. 1

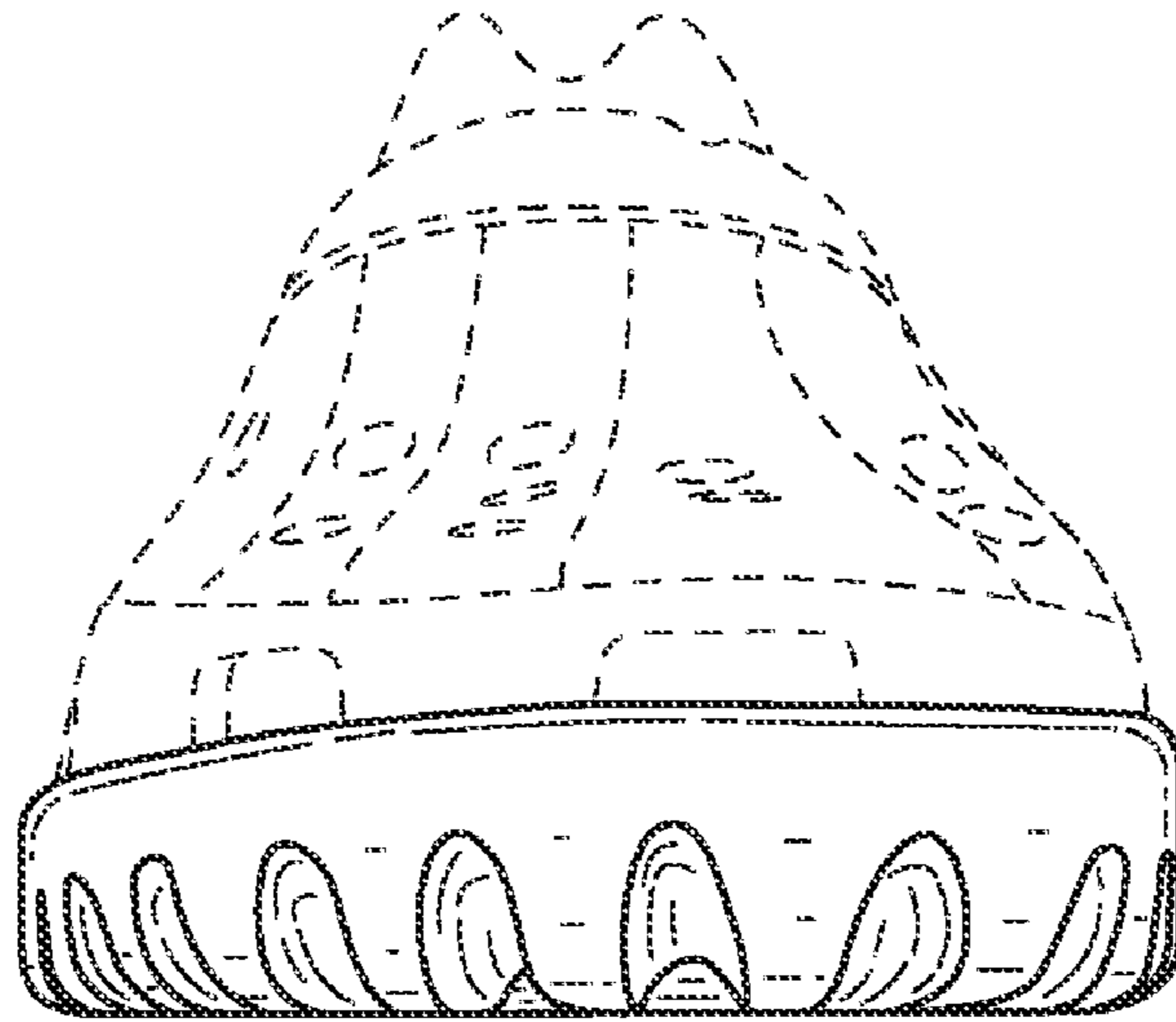


FIG. 2

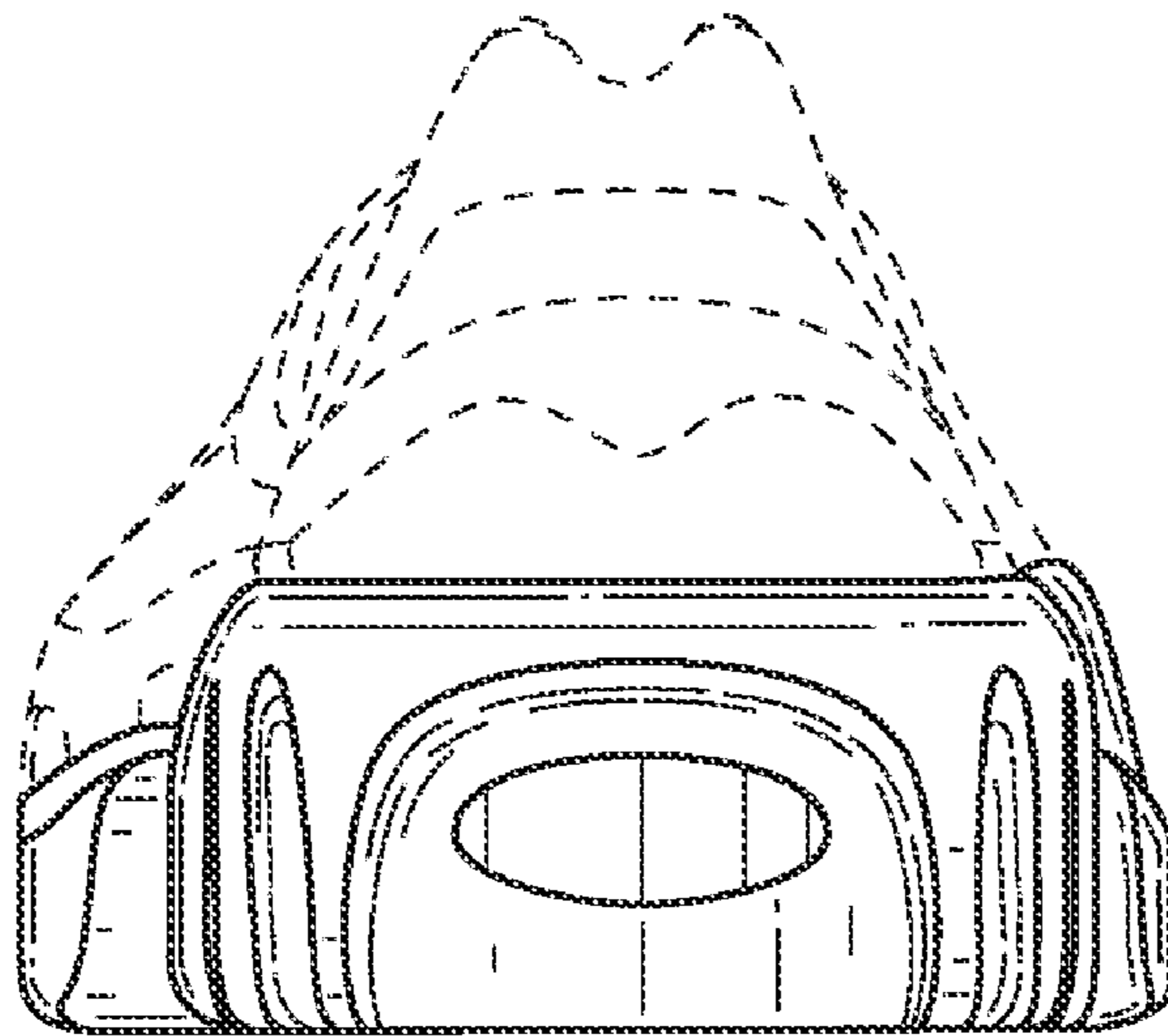


FIG. 3

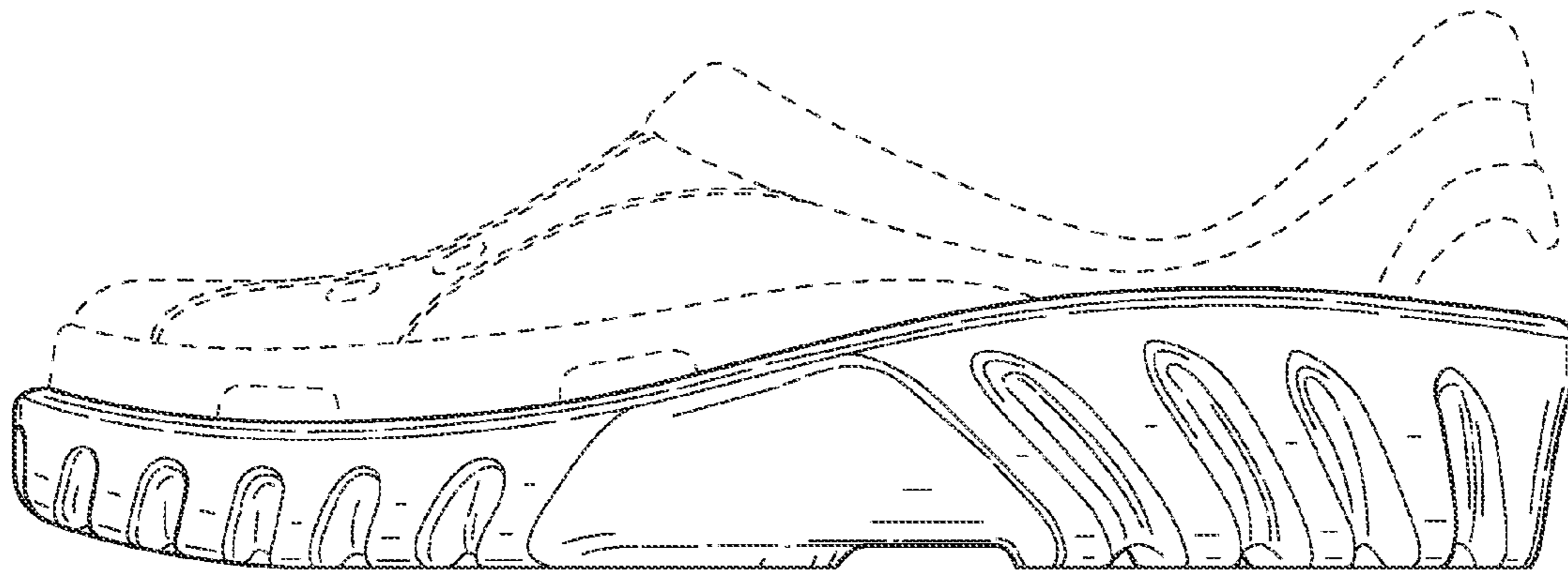


FIG. 4

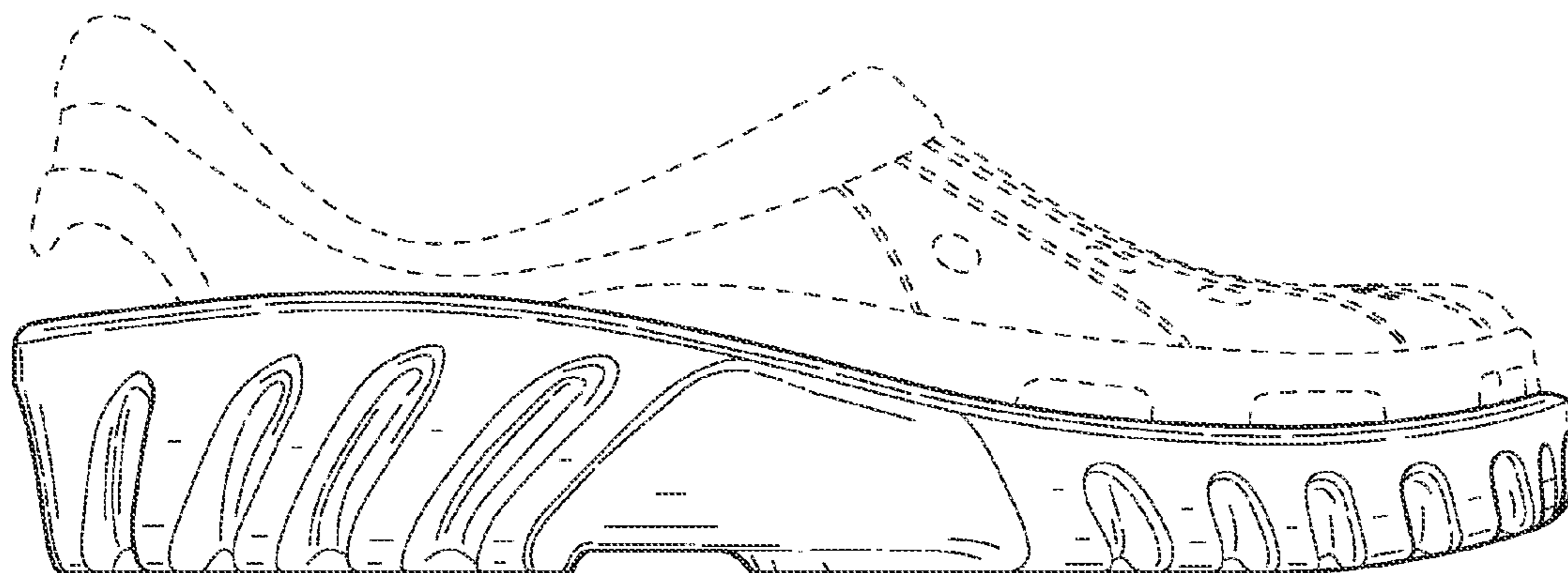


FIG. 5

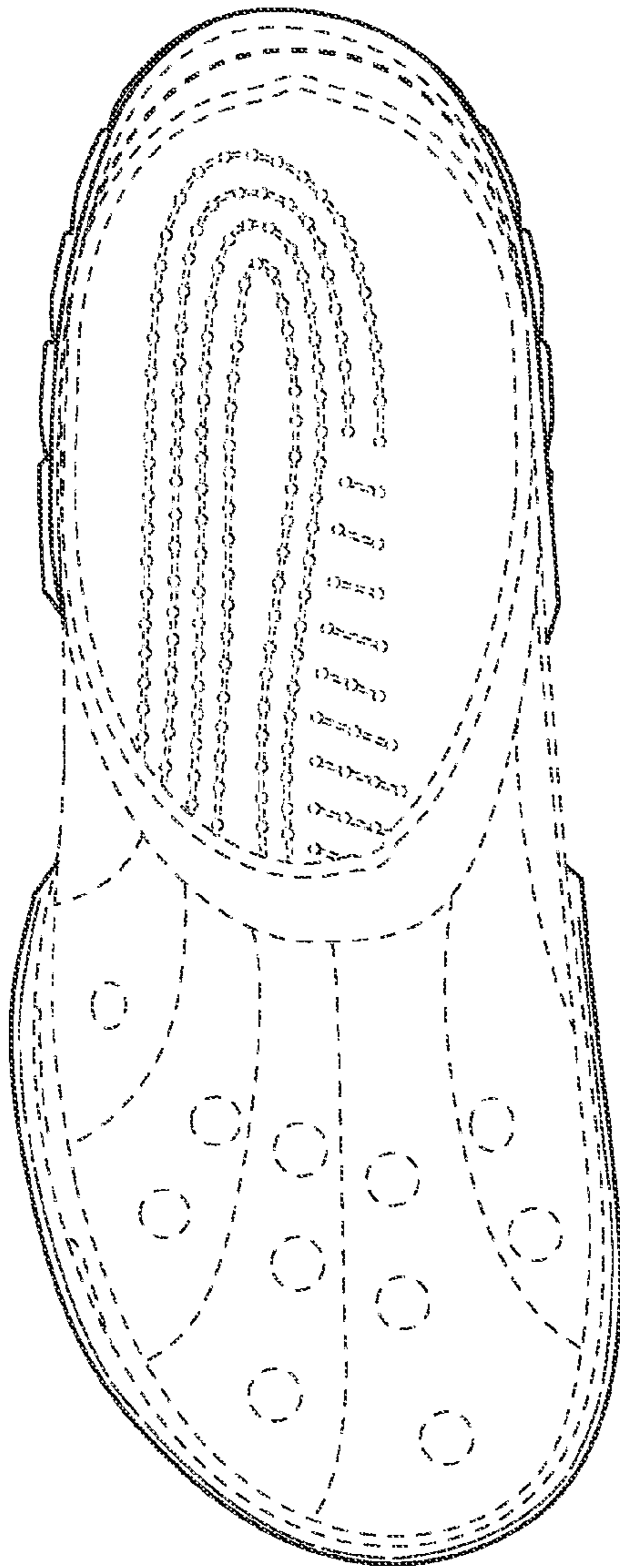


FIG. 6

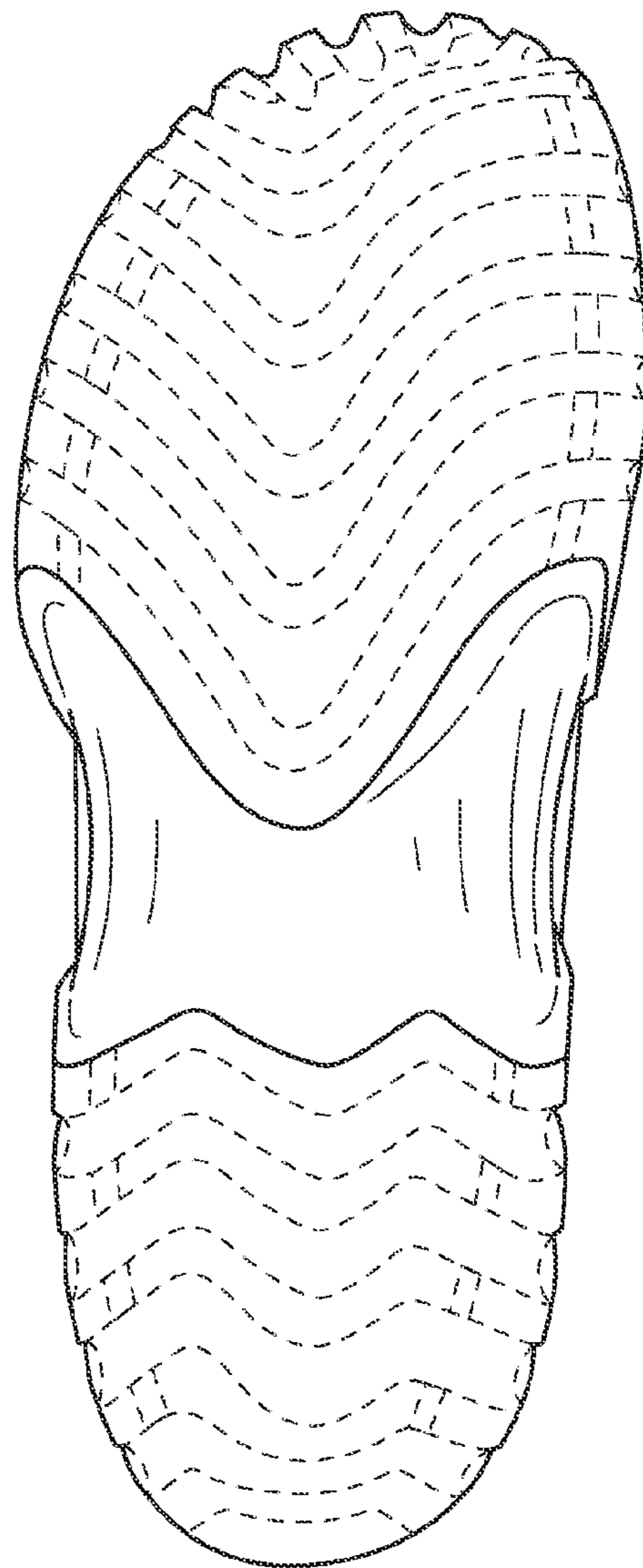


FIG. 7