



US00D588341S

(12) **United States Design Patent**  
**Turner**

(10) **Patent No.:** **US D588,341 S**  
(45) **Date of Patent:** **\*\* Mar. 17, 2009**

(54) **HAT MOUNTED PONY TAIL HOLDER**

(76) Inventor: **Julie Turner**, 305 Deer Run Rd.,  
Branson, MO (US) 65616

(\*\*) Term: **14 Years**

(21) Appl. No.: **29/292,541**

(22) Filed: **Oct. 16, 2007**

(51) **LOC (9) Cl.** ..... **02-03**

(52) **U.S. Cl.** ..... **D2/891; D28/41**

(58) **Field of Classification Search** ..... D2/865,  
D2/866, 872, 873, 876, 879, 882, 870, 878,  
D2/880, 881, 884, 886, 891, 892, 893, 894,  
D2/895; D28/41; 2/10, 12, 425, 171.4, 171.5,  
2/174, 183, 184, 209.11, 209.12, 209.13,  
2/209.14, 175.1, 175.2, 175.3, 175.4, 175.5,  
2/195.1, 195.2, 195.3, 195.6, 200.1, 200.2;  
132/273

See application file for complete search history.

(56) **References Cited**

**U.S. PATENT DOCUMENTS**

D324,765	S	*	3/1992	Obergfell	.....	D2/875
5,239,705	A	*	8/1993	Leopold	.....	2/209.13
5,321,854	A		6/1994	Kronenberger		
5,509,145	A		4/1996	Stevenson et al.		
5,511,249	A		4/1996	Higgins		
D374,758	S		10/1996	Armenta et al.		
5,566,690	A	*	10/1996	Shih-Ming	.....	132/276
D379,555	S	*	5/1997	Fergusson	.....	D28/41
5,644,799	A		7/1997	Armenta et al.		
D391,388	S	*	3/1998	Higgins et al.	.....	D2/882
D394,136	S	*	5/1998	Richlin	.....	D2/866
D399,639	S	*	10/1998	Bartz	.....	D2/876
5,826,593	A	*	10/1998	Haubrich	.....	132/128
D405,590	S		2/1999	Bartz		
D406,189	S		3/1999	Hosogai		
5,933,872	A		8/1999	Lema		
D420,207	S	*	2/2000	Barton et al.	.....	D2/889
D424,282	S		5/2000	Crumpton et al.		
6,076,532	A	*	6/2000	Thomas et al.	.....	132/273

6,089,240	A	*	7/2000	Chang	.....	132/273
6,295,992	B1	*	10/2001	Sapp	.....	132/200
6,941,579	B2	*	9/2005	Tanenbaum	.....	2/123
7,222,630	B2	*	5/2007	Silva	.....	132/273
7,252,092	B2	*	8/2007	Kelsey	.....	132/200
D554,800	S	*	11/2007	Moudgill	.....	D28/40

(Continued)

*Primary Examiner*—Elizabeth A Albert  
*Assistant Examiner*—Karen E Eldridge Powers  
(74) *Attorney, Agent, or Firm*—Lathrop & Gage LLP

(57) **CLAIM**

An ornamental design for a hat mounted pony tail holder, as shown and described.

**DESCRIPTION**

FIG. 1 is a perspective view of the hat mounted pony tail holder;

FIG. 2 is a perspective bottom view of the hat mounted pony tail holder;

FIG. 3 is a side elevation view of the hat mounted pony tail holder;

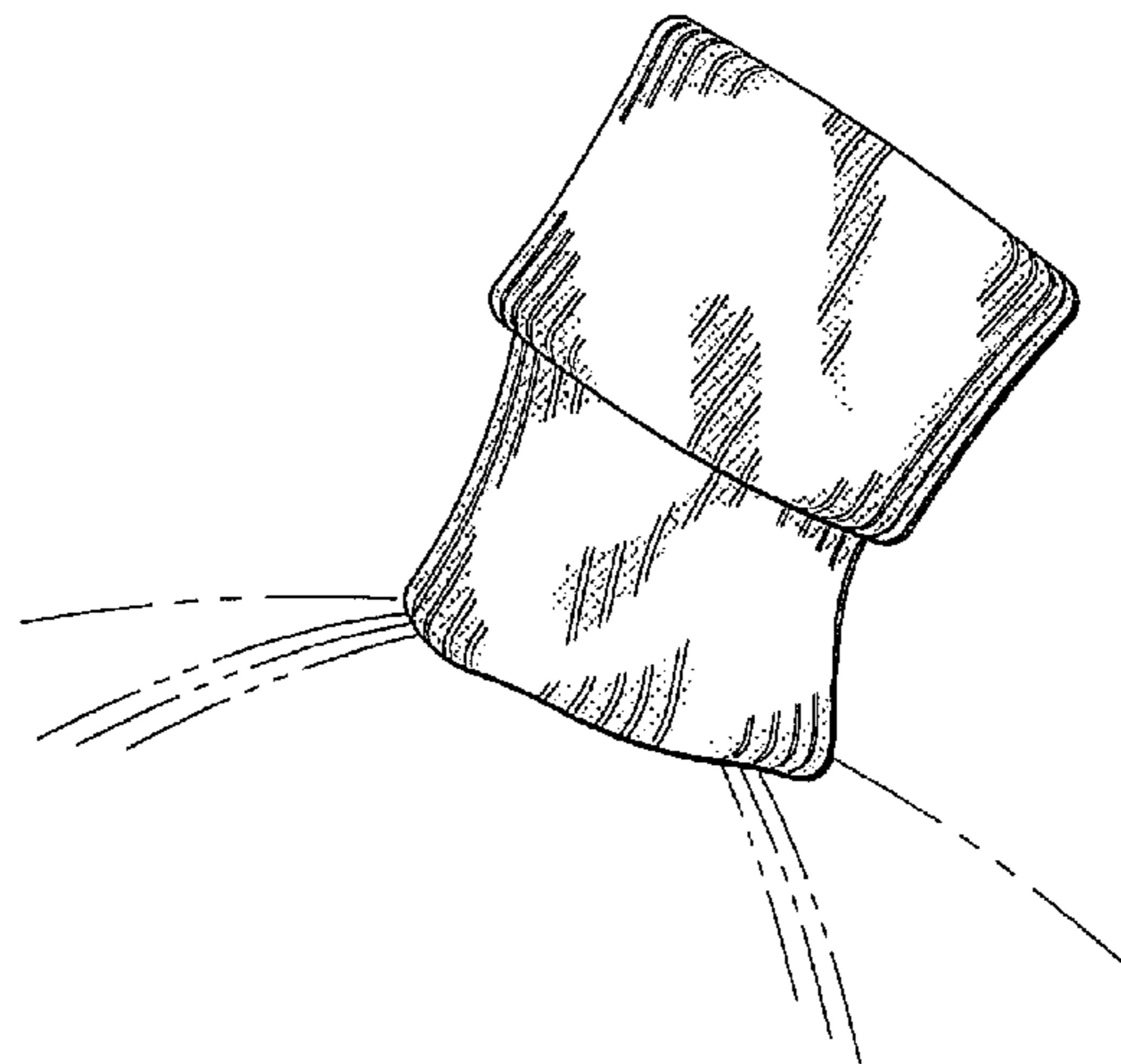
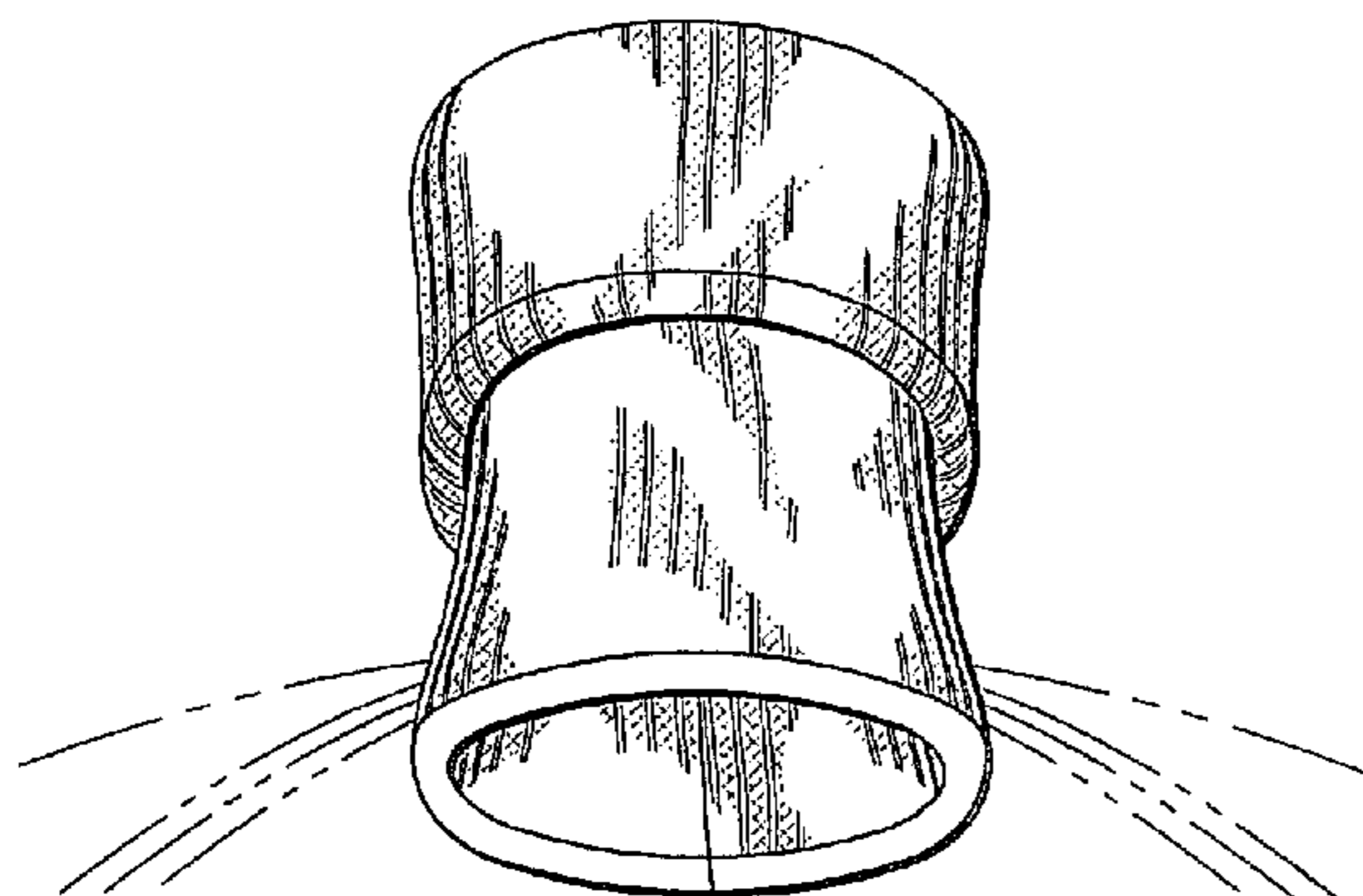
FIG. 4 is a top perspective view of the hat mounted pony tail holder;

FIG. 5 is a rear elevation view of the hat mounted pony tail holder; and,

FIG. 6 is a bottom plan view of the hat mounted pony tail holder.

In the drawings, the broken lines of a baseball-style cap, a woman's head, neck and shoulders shown in FIG. 1, as well as the four groups of arcs radiating from the claimed design shown in FIGS. 2–6, illustrate environmental matter and form no part of the claimed design. The small areas comprised of a fine crosshatched pattern interspersed between ribbing, although shown intermittently, are meant to represent texture, and are understood to be distributed uniformly over the surfaces of the claimed design.

**1 Claim, 4 Drawing Sheets**



# US D588,341 S

Page 2

---

## U.S. PATENT DOCUMENTS

2003/0221241	A1*	12/2003	Rivera et al. ....	2/170	2007/0250987	A1*	11/2007	Adkins .....	2/209.3
2006/0010566	A1*	1/2006	Ridgeway .....	2/171	2008/0022442	A1*	1/2008	Shaver .....	2/424
2006/0191057	A1*	8/2006	Lynn .....	2/171	2008/0092272	A1*	4/2008	Vainio et al. ....	2/209.7
2007/0137670	A1*	6/2007	Silva .....	132/273	2008/0149130	A1*	6/2008	Brown .....	132/279
2007/0246059	A1*	10/2007	Jensen .....	132/273	2008/0156340	A1*	7/2008	Hopper et al. ....	2/170

\* cited by examiner

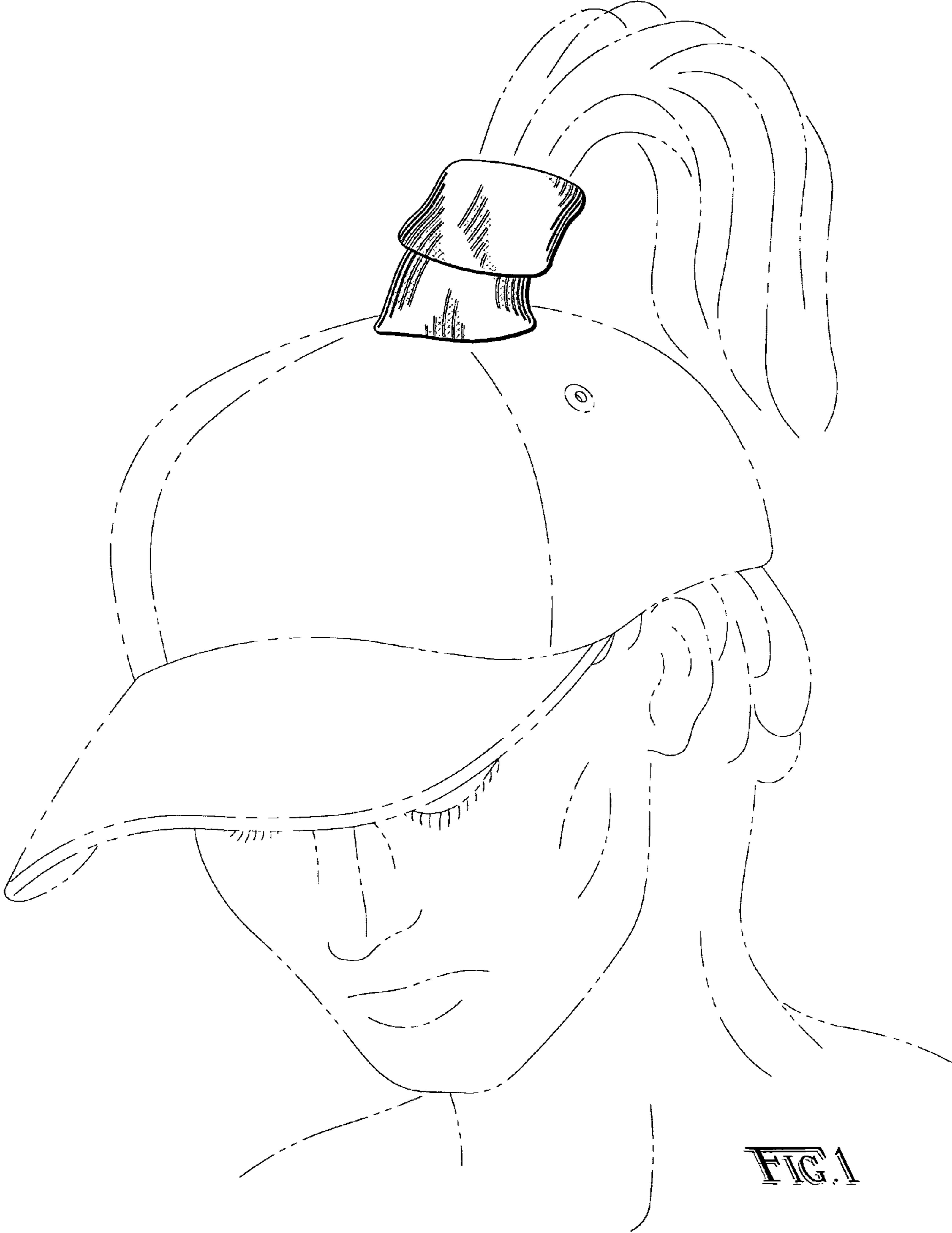


FIG. 1

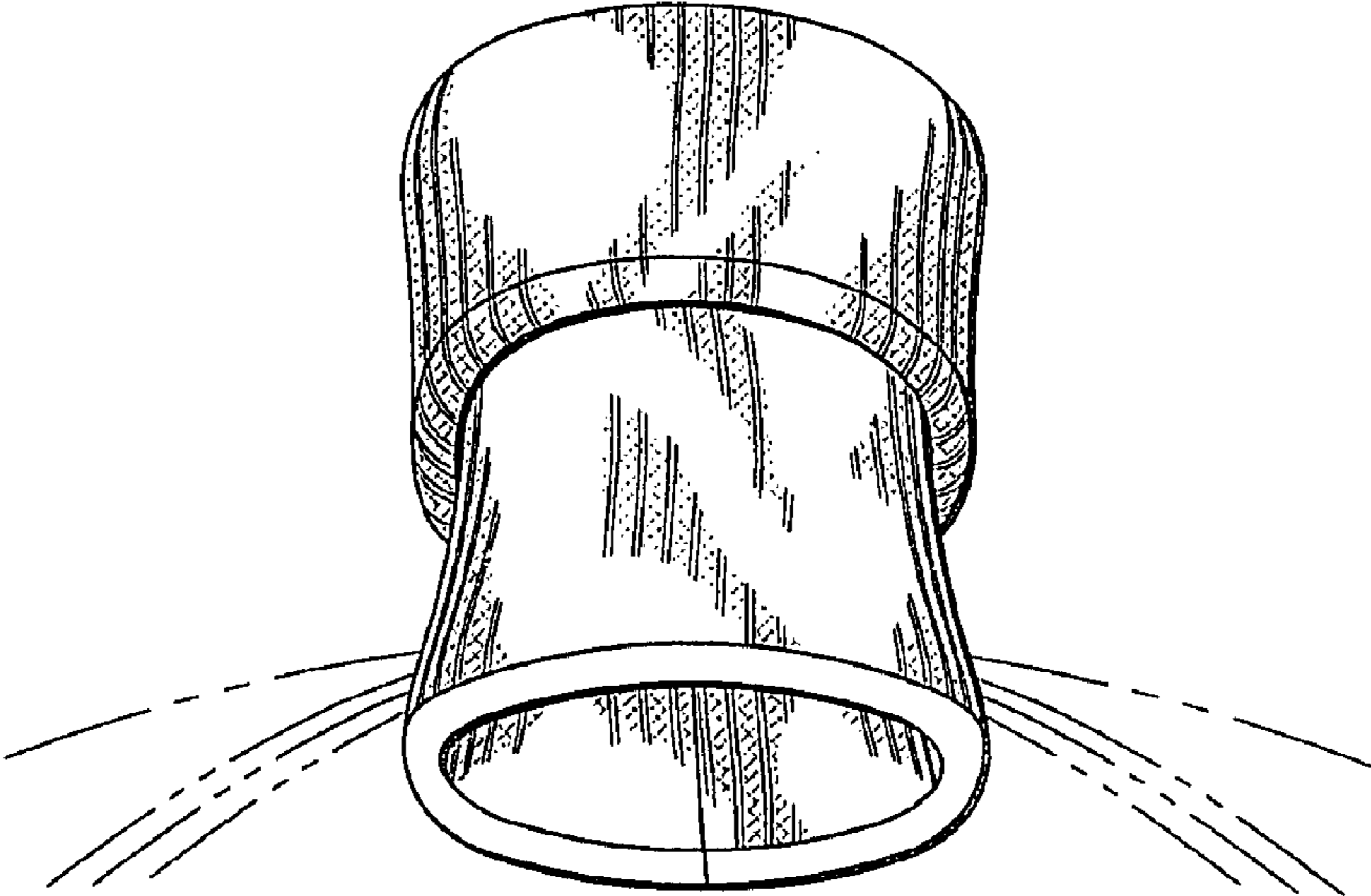


FIG. 2

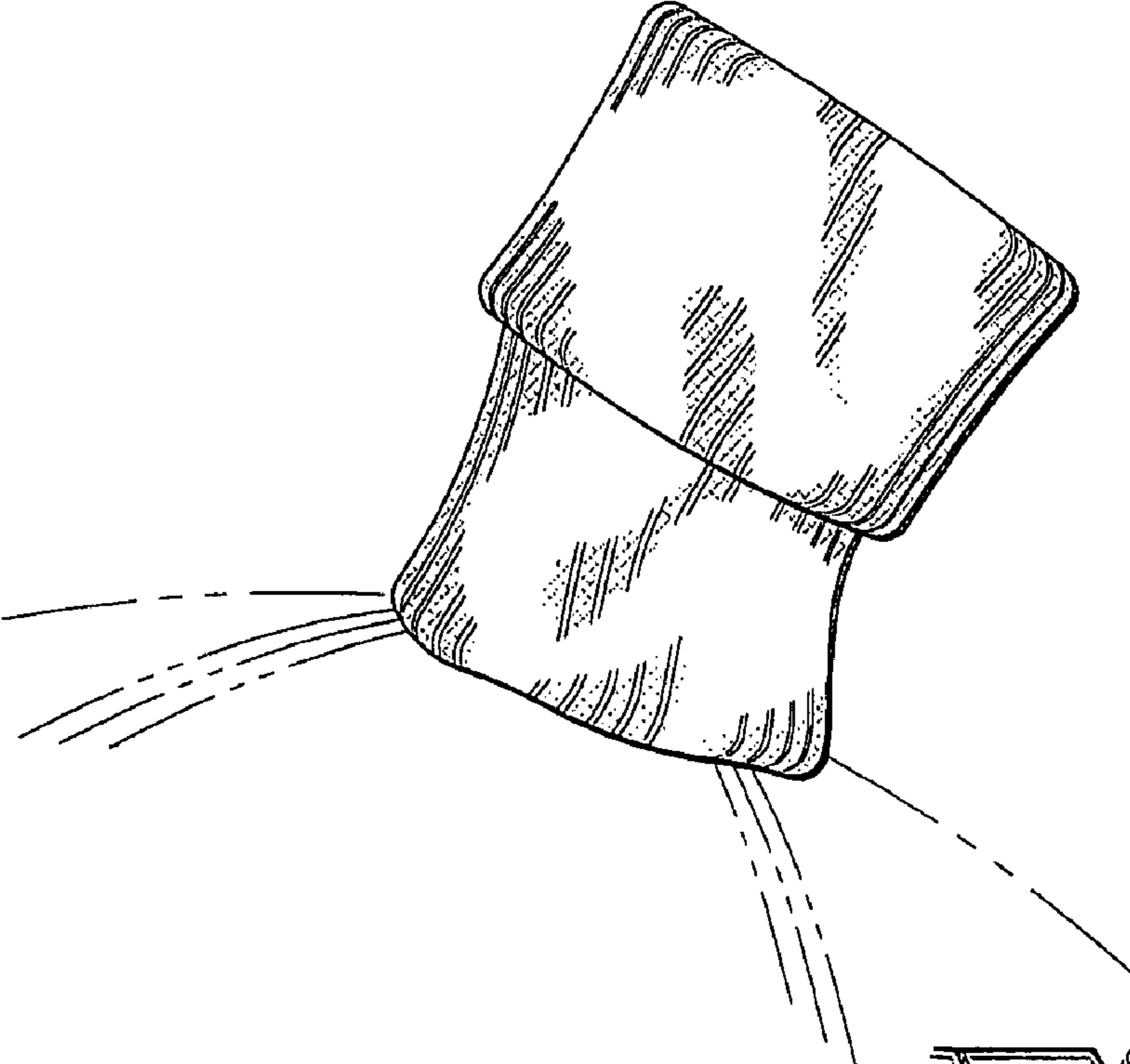
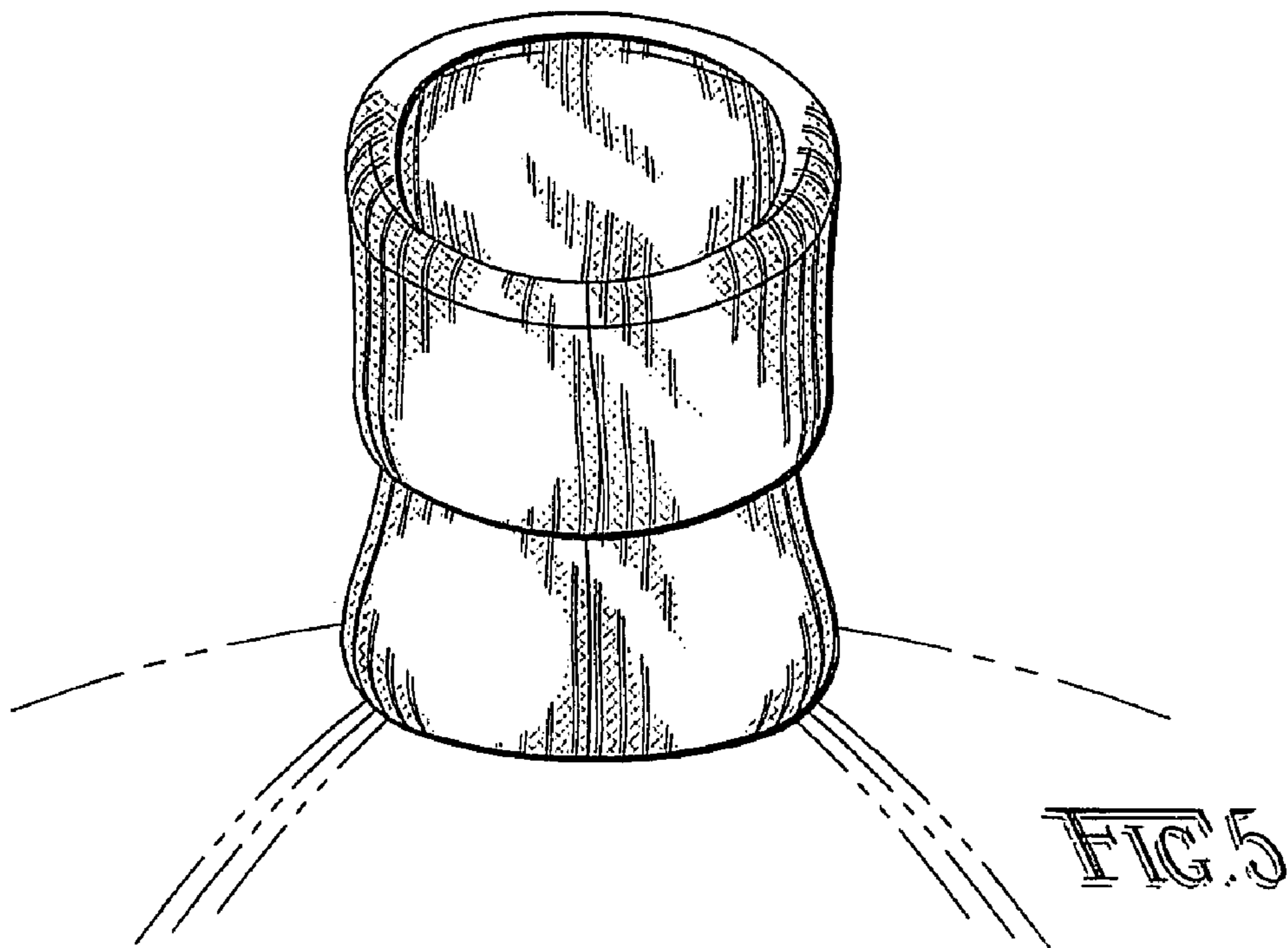
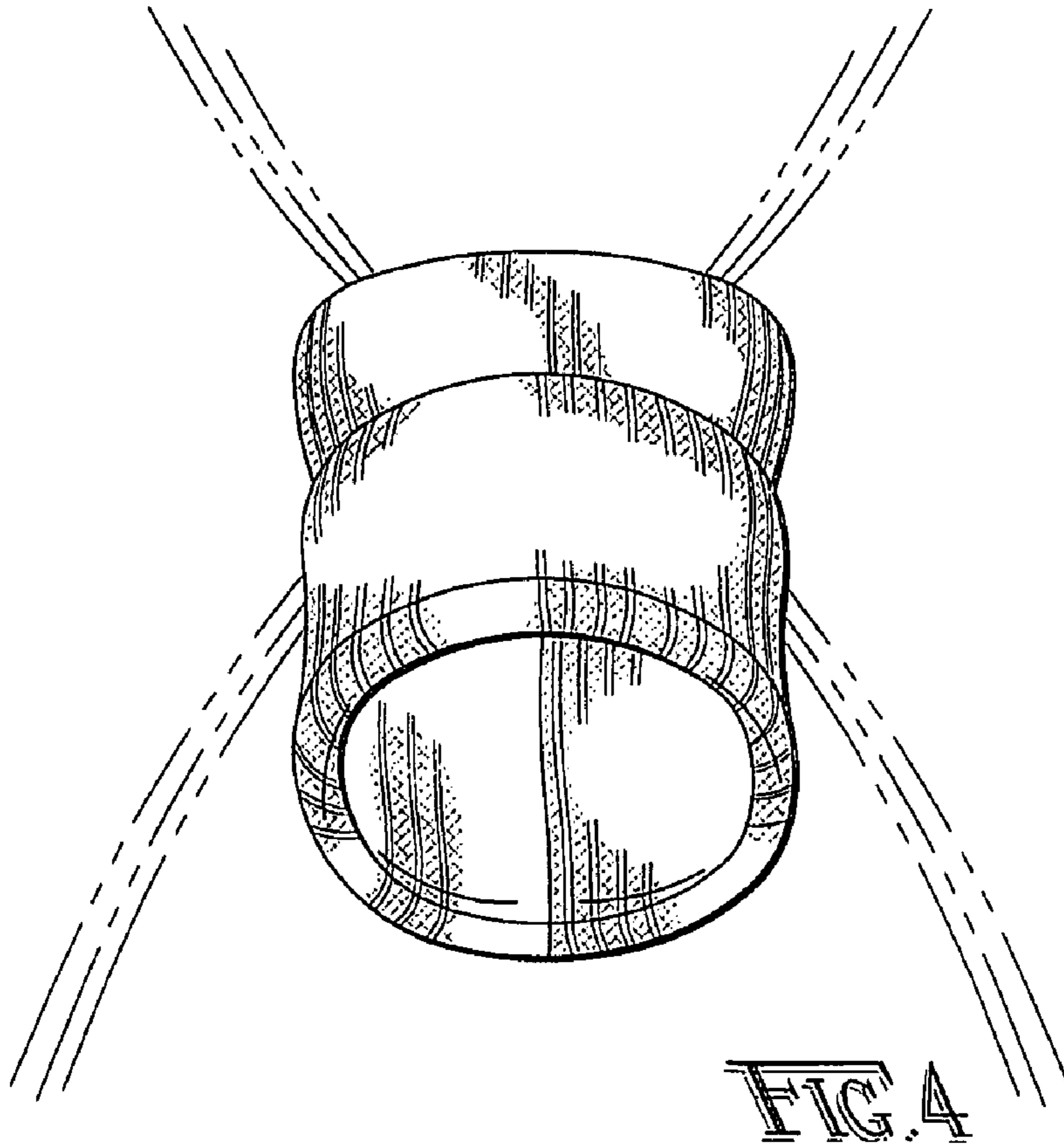


FIG. 3



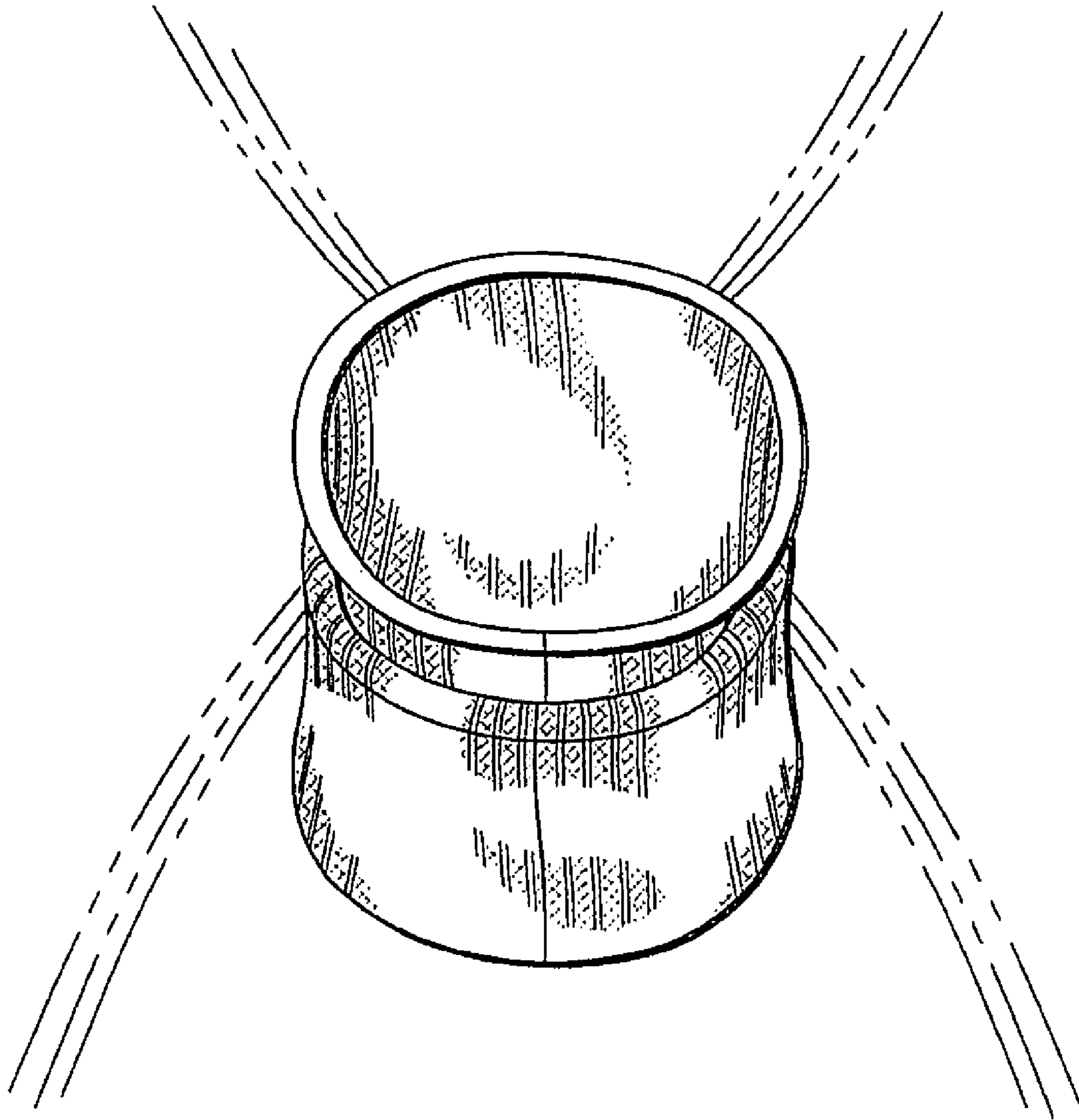


FIG. 6