



US00D588324S

(12) **United States Design Patent**  
**Hong**

(10) **Patent No.:** **US D588,324 S**

(45) **Date of Patent:** **\*\* Mar. 10, 2009**

(54) **CONVEYOR ROLLER**

(76) Inventor: **Shih-An Hong**, No. 24, Nan Kung 3rd Rd., Nan Kung Industrial Zone, Nan Tou City (TW)

(\*\*) Term: **14 Years**

(21) Appl. No.: **29/305,273**

(22) Filed: **Mar. 17, 2008**

(51) **LOC (9) Cl.** ..... **12-05**

(52) **U.S. Cl.** ..... **D34/29; D34/35**

(58) **Field of Classification Search** ..... D34/29, D34/35; 198/824, 345.1, 825, 842, 830, 198/835, 494, 507; 74/469; 197/37; D28/37  
See application file for complete search history.

(56) **References Cited**

**U.S. PATENT DOCUMENTS**

387,727	A *	8/1888	Middleton	.....	198/813
1,743,223	A *	1/1930	Lowy	.....	198/788
1,883,422	A *	10/1932	Strong	.....	198/501
2,959,122	A *	11/1960	Masson	.....	101/126
3,108,604	A *	10/1963	Krull	.....	132/250
3,713,348	A *	1/1973	Conrad et al.	.....	474/187
3,888,131	A *	6/1975	Reid	.....	198/843

4,283,184	A *	8/1981	Berg	.....	474/203
4,337,672	A *	7/1982	Shiber	.....	74/438
5,630,500	A *	5/1997	Conrad	.....	198/833
D423,178	S *	4/2000	Specht	.....	D34/29
6,113,059	A *	9/2000	Couillard	.....	248/694
6,938,754	B2 *	9/2005	Kanaris	.....	198/494

\* cited by examiner

*Primary Examiner*—Cynthia E Ramirez

(74) *Attorney, Agent, or Firm*—Lackenbach Siegel, LLP; Myron Greenspan

(57) **CLAIM**

The ornamental design for conveyor roller, as shown and described.

**DESCRIPTION**

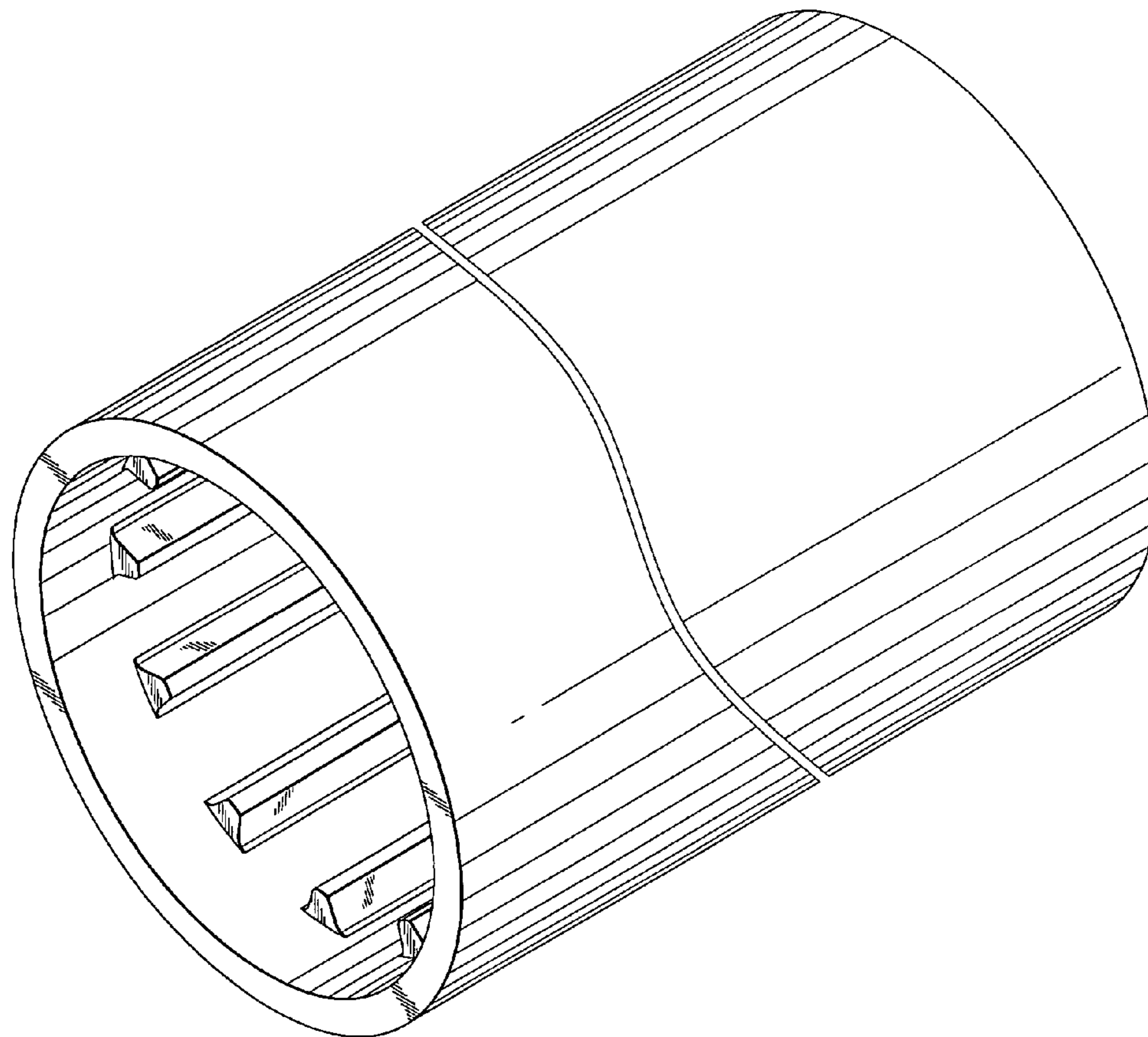
FIG. 1 is a perspective view of conveyor roller showing my new design;

FIG. 2 is a front elevational view thereof, the front, rear, top, and bottom elevational views being identical; and,

FIG. 3 is a left side elevational view thereof, the left and right side elevational views being identical.

The conveyor roller is shown cut-away in FIGS. 1 and 2 to indicate no specific length.

**1 Claim, 3 Drawing Sheets**



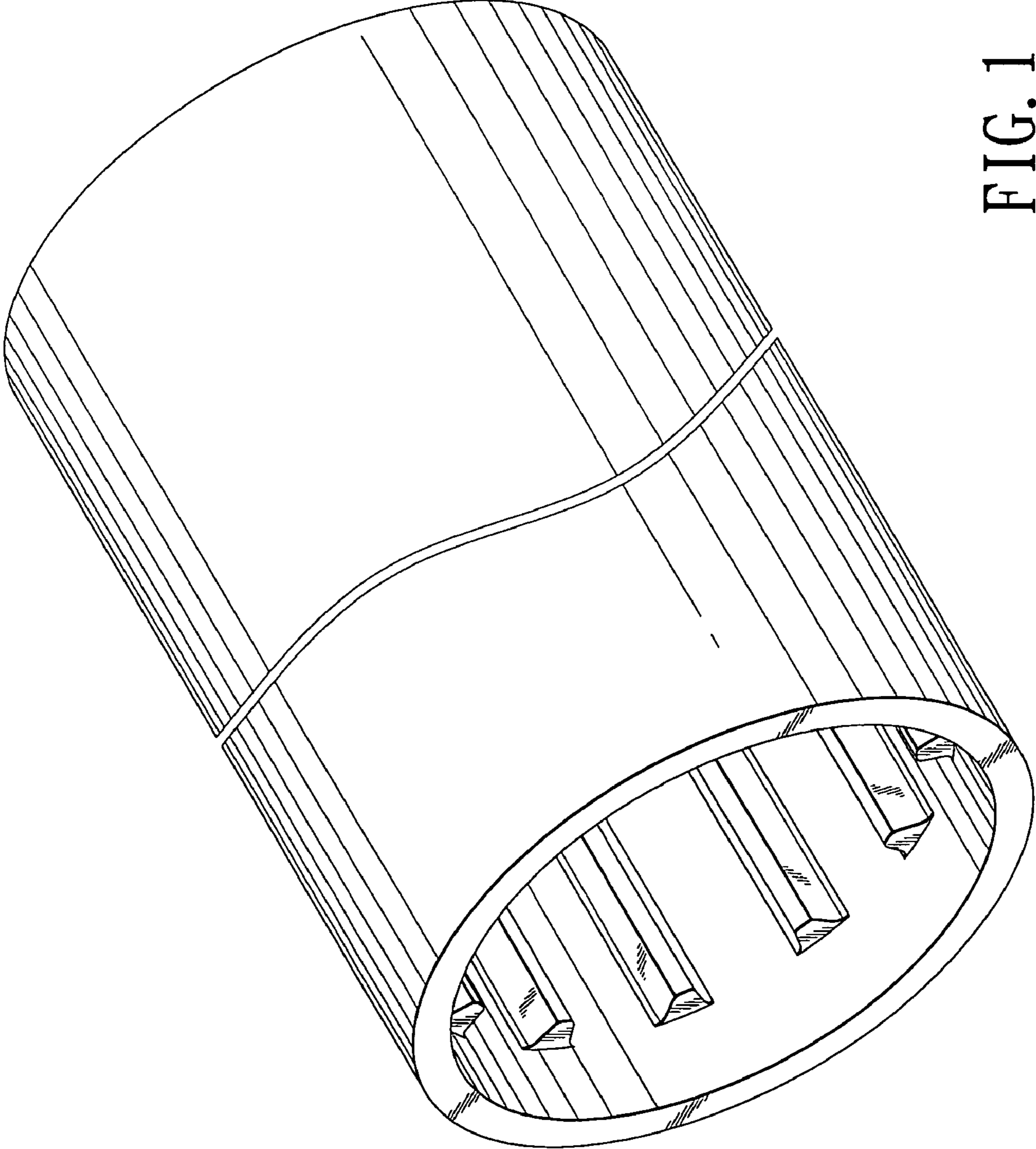


FIG. 1

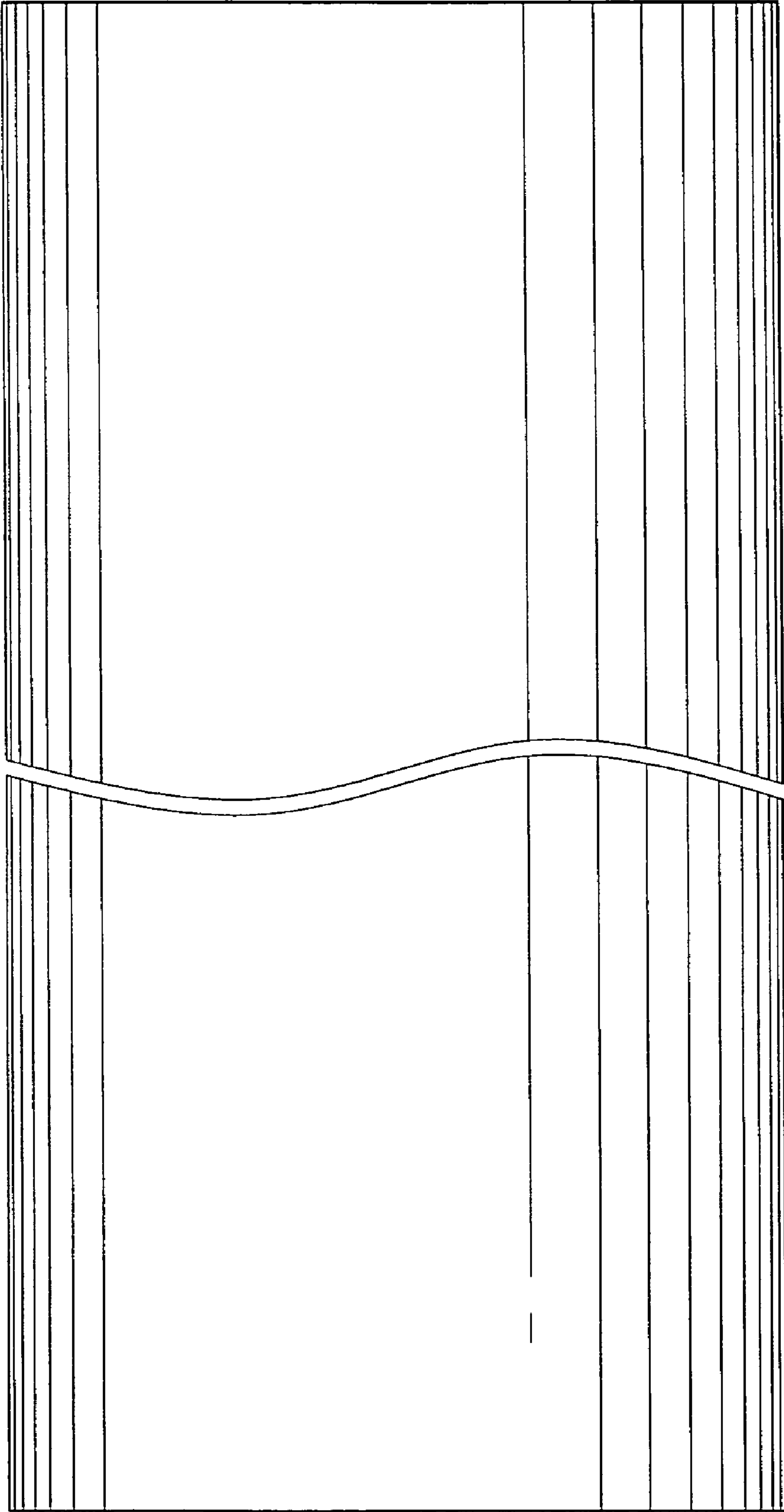


FIG. 2

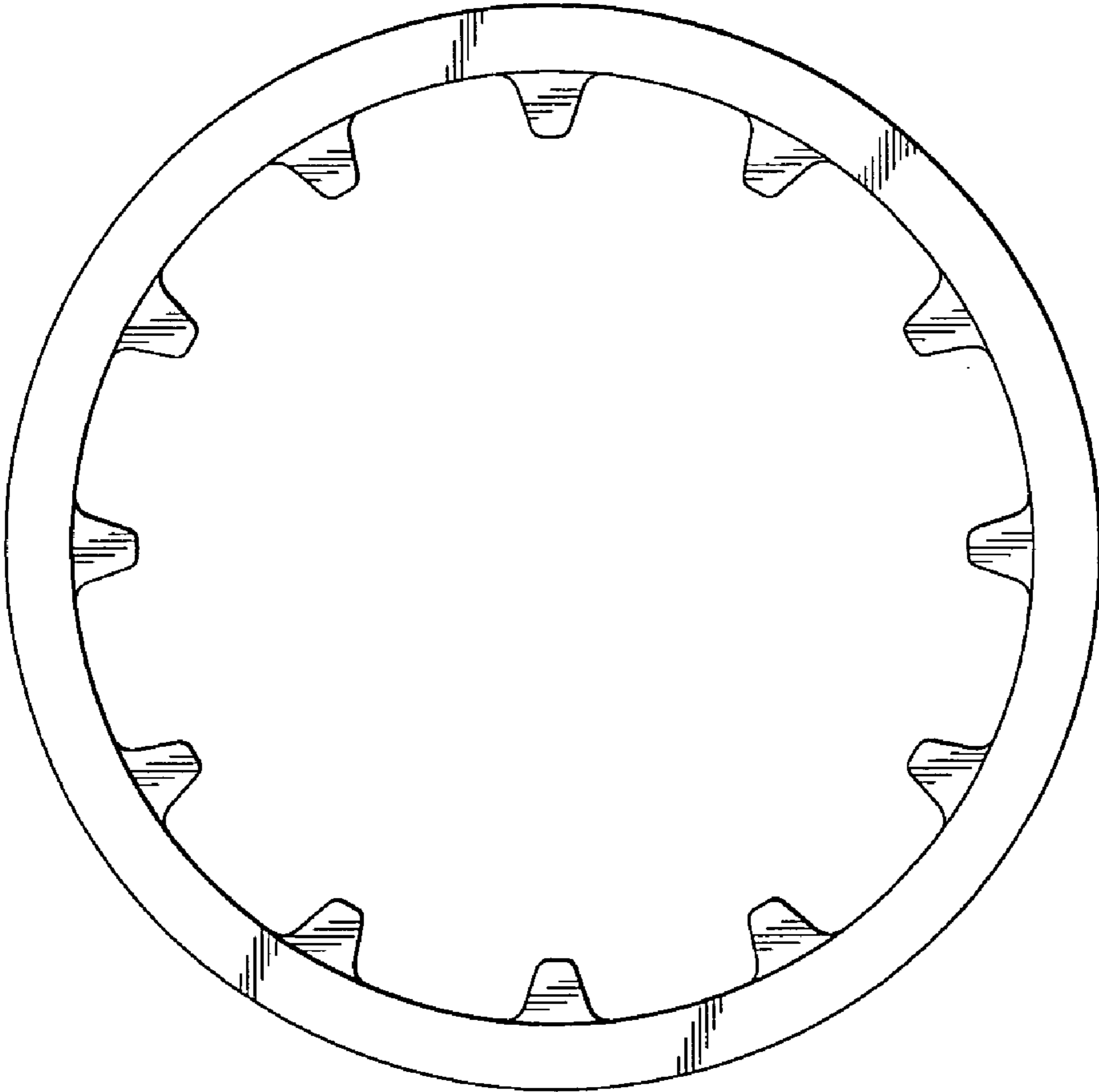


FIG. 3