



US00D588322S

(12) **United States Design Patent**
Tilk et al.

(10) **Patent No.:** **US D588,322 S**
(45) **Date of Patent:** **** Mar. 10, 2009**

(54) **UTILITY CART**

(75) Inventors: **Jason Tilk**, Cleveland Heights, OH
(US); **Jeff Mitcheltree**, Cuyahoga Falls,
OH (US)

(73) Assignee: **NMTC, Inc.**, Stow, OH (US)

(**) Term: **14 Years**

(21) Appl. No.: **29/317,804**

(22) Filed: **May 7, 2008**

(51) **LOC (9) Cl.** **12-02**

(52) **U.S. Cl.** **D34/20; D34/27**

(58) **Field of Classification Search** **D34/12-27;**
280/79.11, 79.2, 79.3, 33.991, 47.34, 47.35
See application file for complete search history.

(56) **References Cited**

U.S. PATENT DOCUMENTS

2,253,824	A *	8/1941	Townsend et al.	16/35 R
D178,728	S *	9/1956	Hamilton	D34/21
2,830,825	A	4/1958	Webber et al.		
2,886,186	A *	5/1959	Hamilton	108/189
D188,315	S *	7/1960	Frick	D34/20
D191,303	S *	9/1961	Tashman	D34/21
3,407,959	A *	10/1968	Mondineu	220/6
D300,787	S *	4/1989	Carter	D6/390
4,998,742	A *	3/1991	Maynard	280/35
5,083,805	A	1/1992	Monch et al.		
D341,914	S *	11/1993	Reiner	D34/21
5,280,933	A *	1/1994	Finneyfrock	280/47.34
5,318,315	A	6/1994	White et al.		
D361,422	S *	8/1995	Coates	D34/27
D423,177	S *	4/2000	Gaffney et al.	D34/27

6,079,719	A	6/2000	Tisbo et al.		
6,129,366	A	10/2000	Dettmann et al.		
6,213,483	B1	4/2001	Gaffney		
D445,229	S *	7/2001	Stravitz et al.	D34/17
D446,622	S *	8/2001	Gaffney et al.	D34/27
D448,135	S *	9/2001	Petro	D34/21
6,572,123	B2	6/2003	Calmeise et al.		
6,739,605	B2	5/2004	Calmeise et al.		
D495,846	S *	9/2004	Liu	D34/17
7,014,200	B2	3/2006	Calmeise et al.		

* cited by examiner

Primary Examiner—Cynthia E Ramirez

(74) *Attorney, Agent, or Firm*—Hahn Loeser & Parks LLP;
William S. Nabors

(57) **CLAIM**

The ornamental design for a utility cart, as shown and described.

DESCRIPTION

FIG. 1 is a perspective view showing the frontal right side of a utility cart showing our new design;

FIG. 2 is a perspective view showing the rear left side thereof;

FIG. 3 is a front view of the utility cart;

FIG. 4 is a rear view of the utility cart;

FIG. 5 is a right side view of the utility cart;

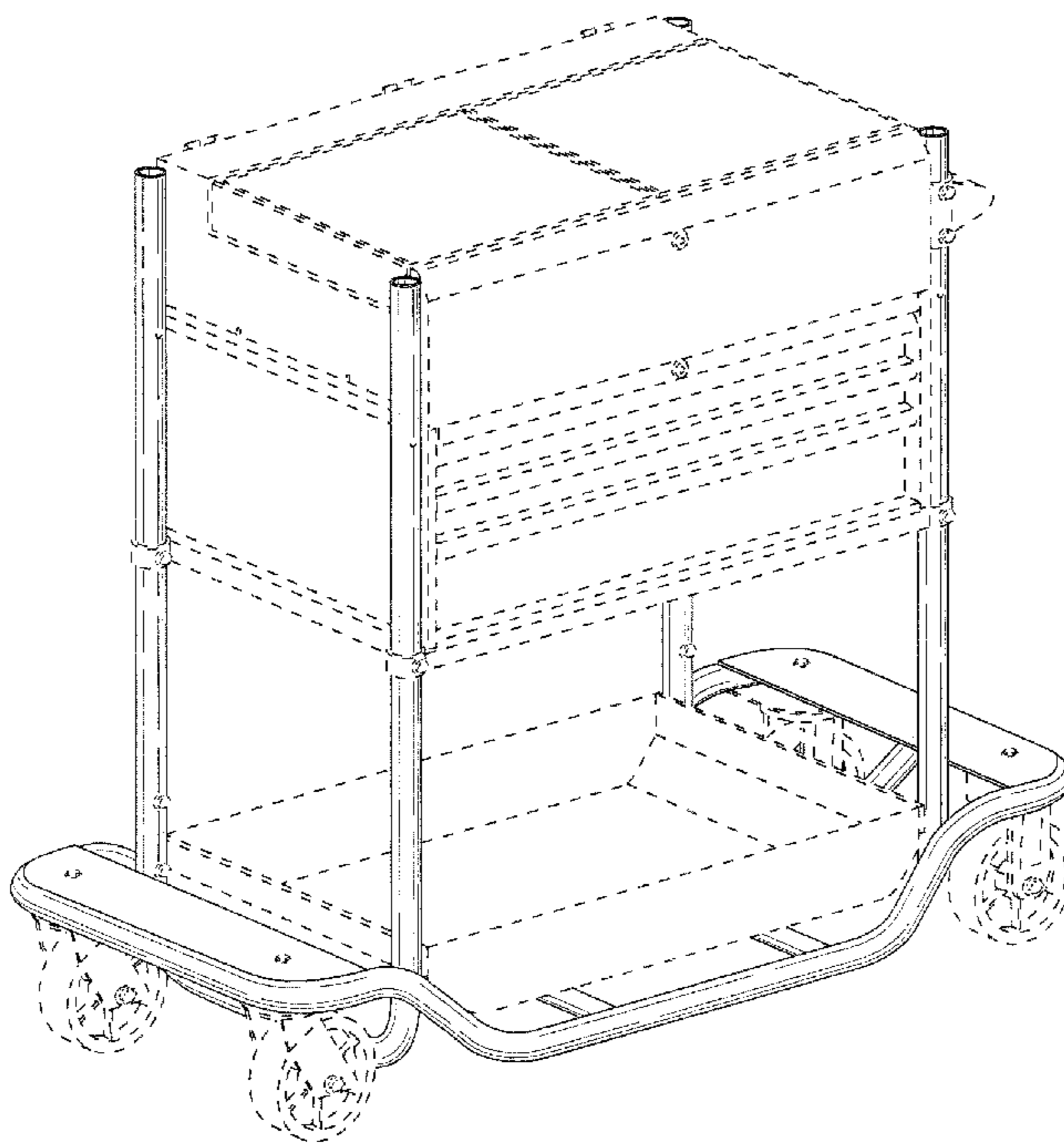
FIG. 6 is a left side view of the utility cart;

FIG. 7 is a top plan view of the utility cart; and,

FIG. 8 is a bottom plan view of the utility cart.

The dashed lines shown in the Figures are for illustration only and form no part of the claimed design.

1 Claim, 5 Drawing Sheets



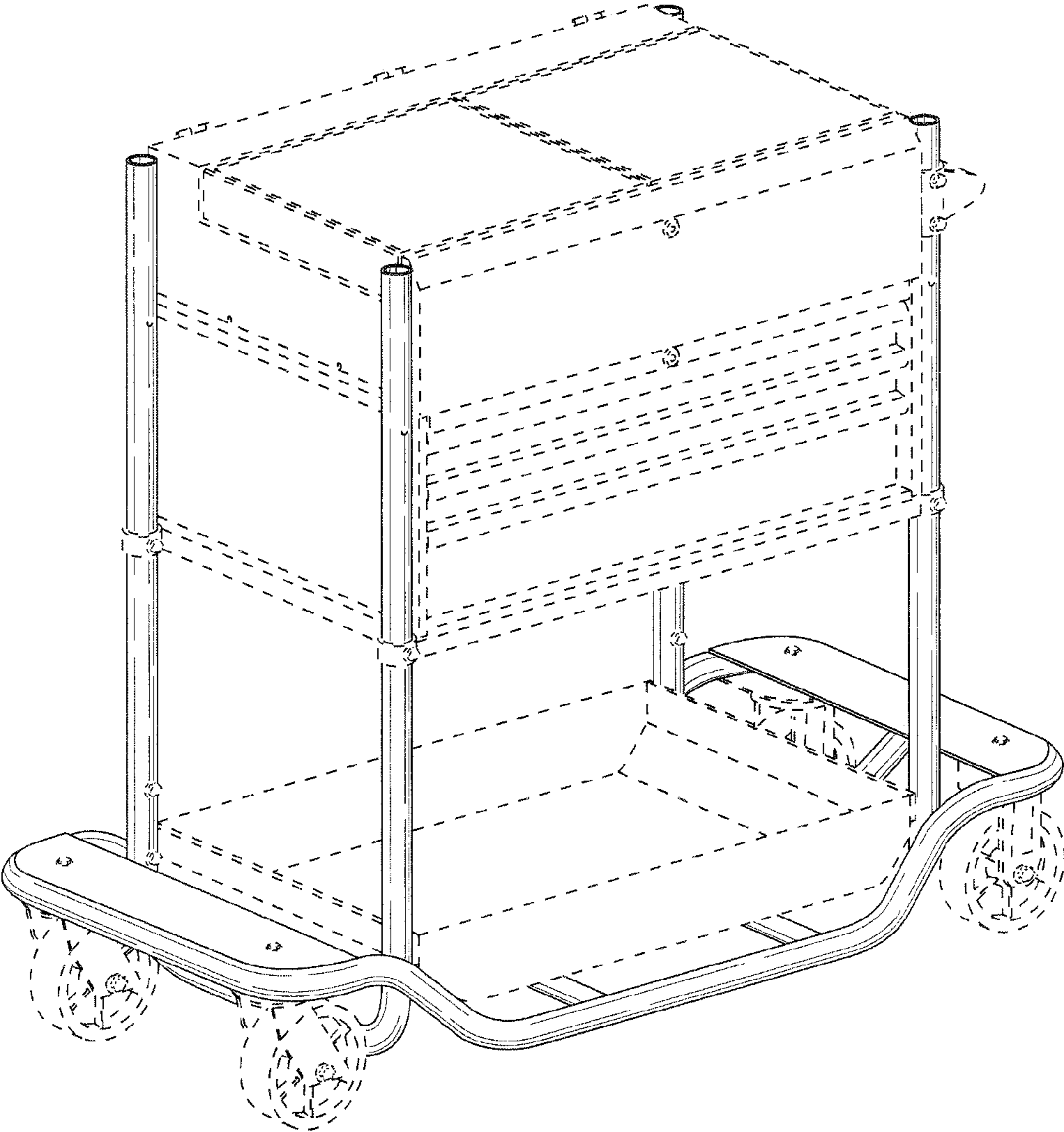


Fig. 1

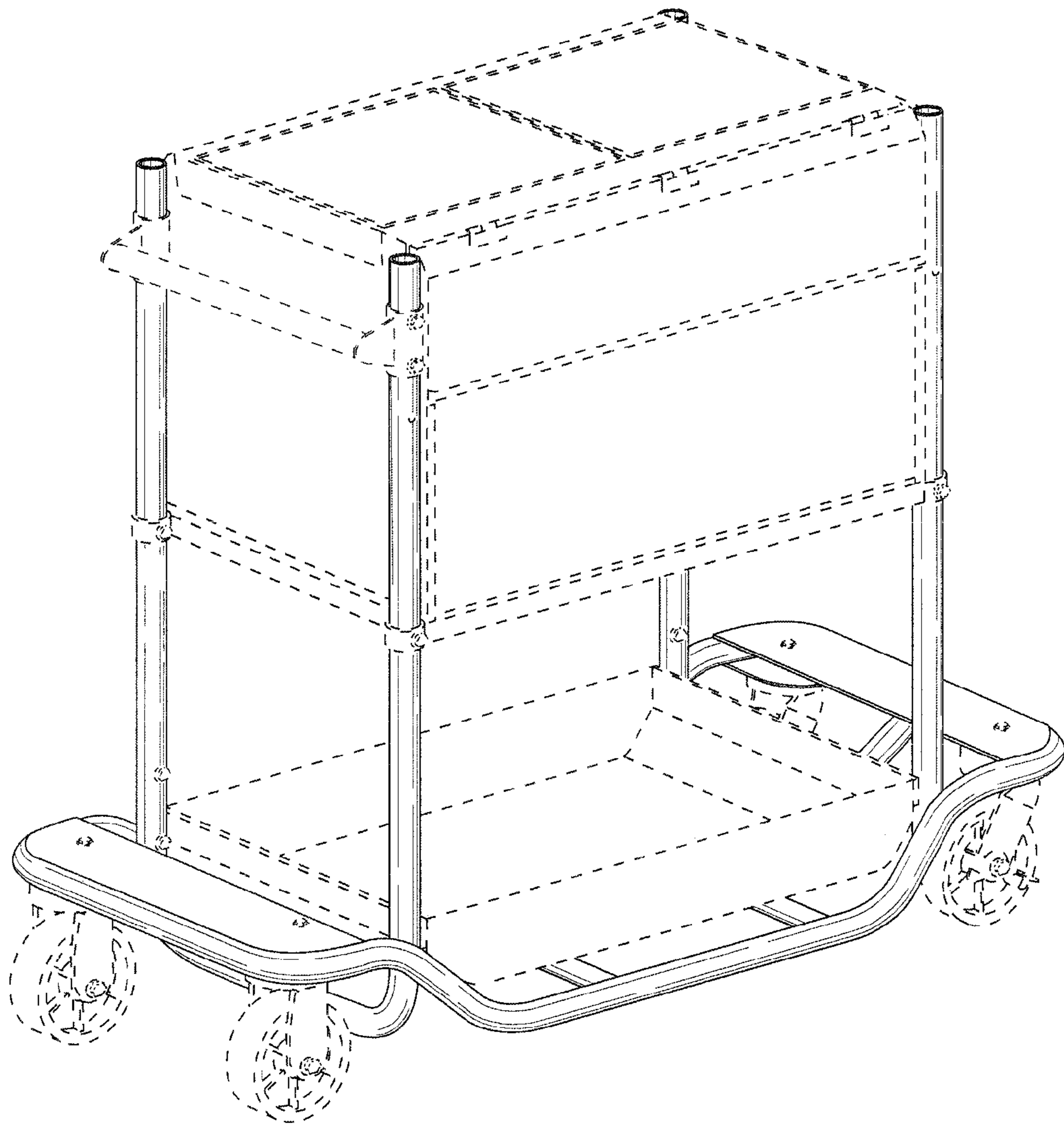


Fig. 2

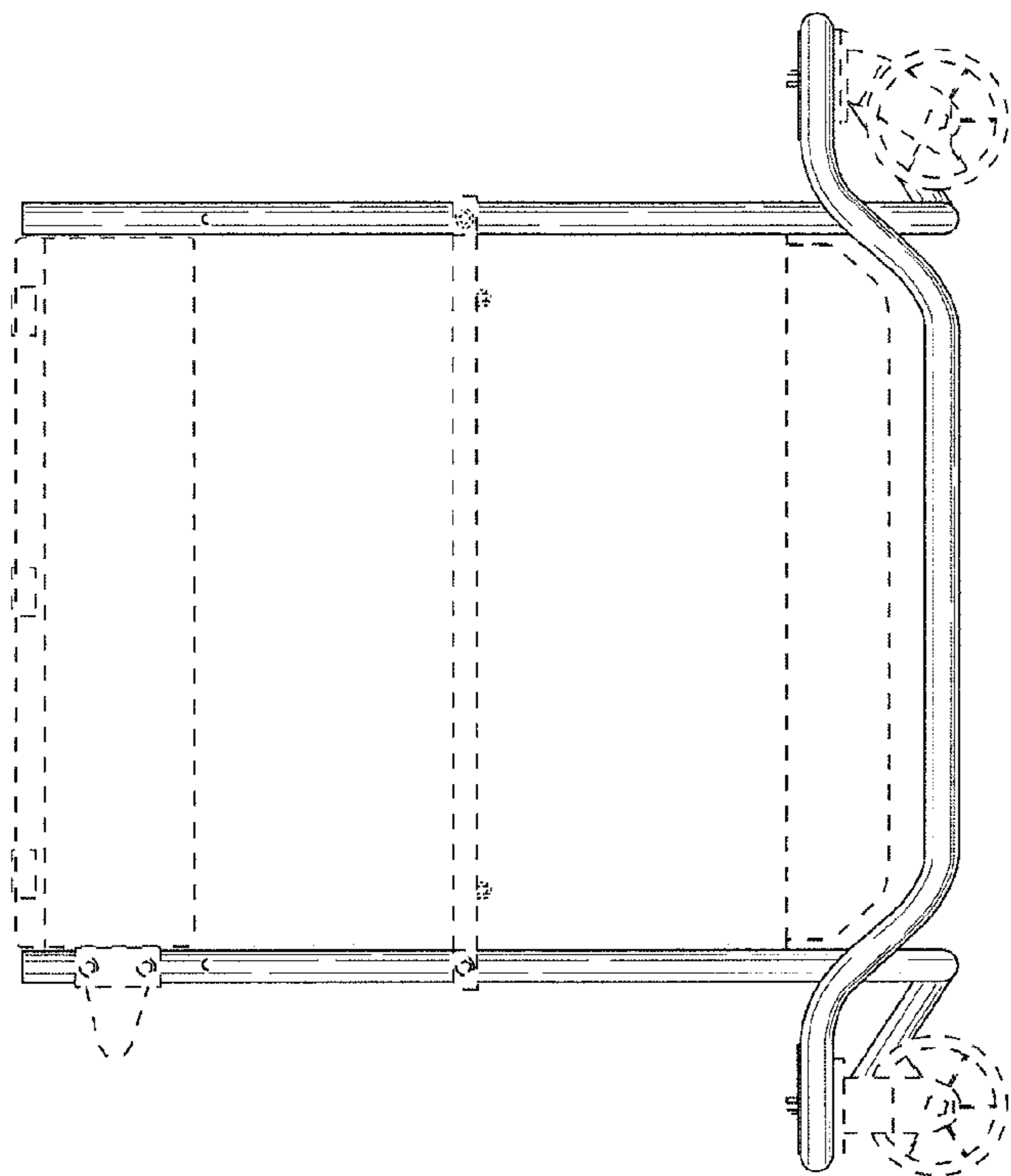


Fig. 4

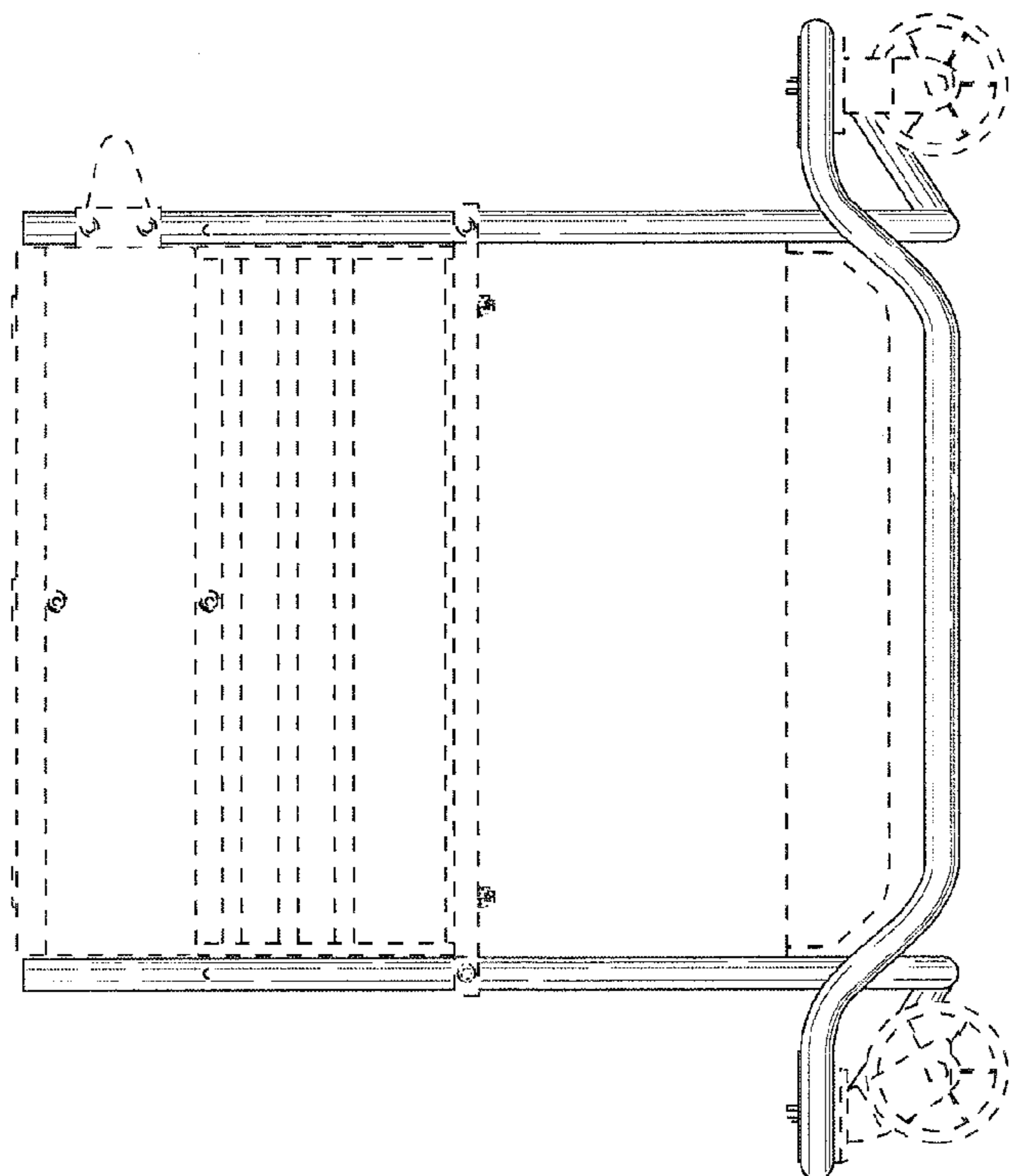


Fig. 3

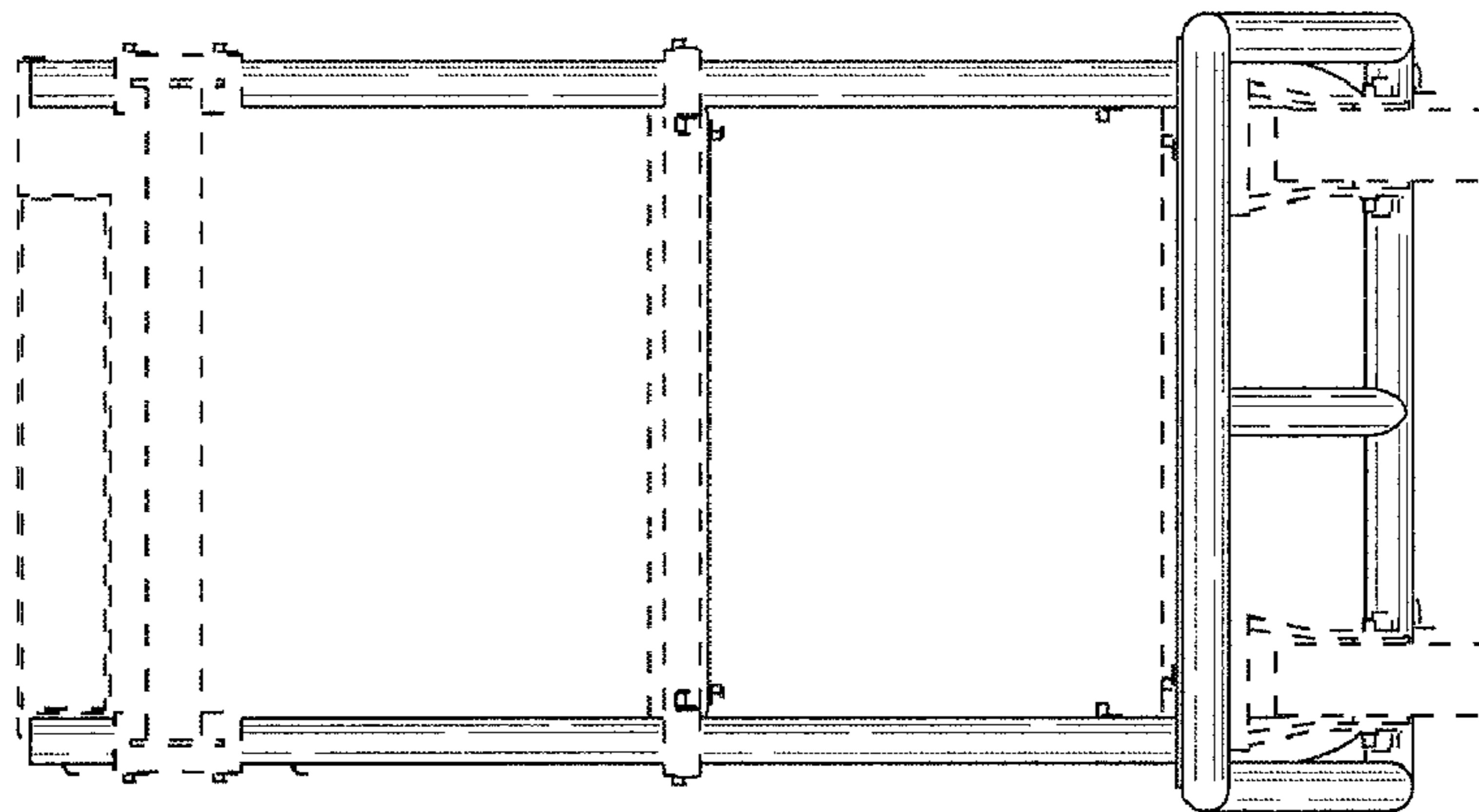


Fig. 5

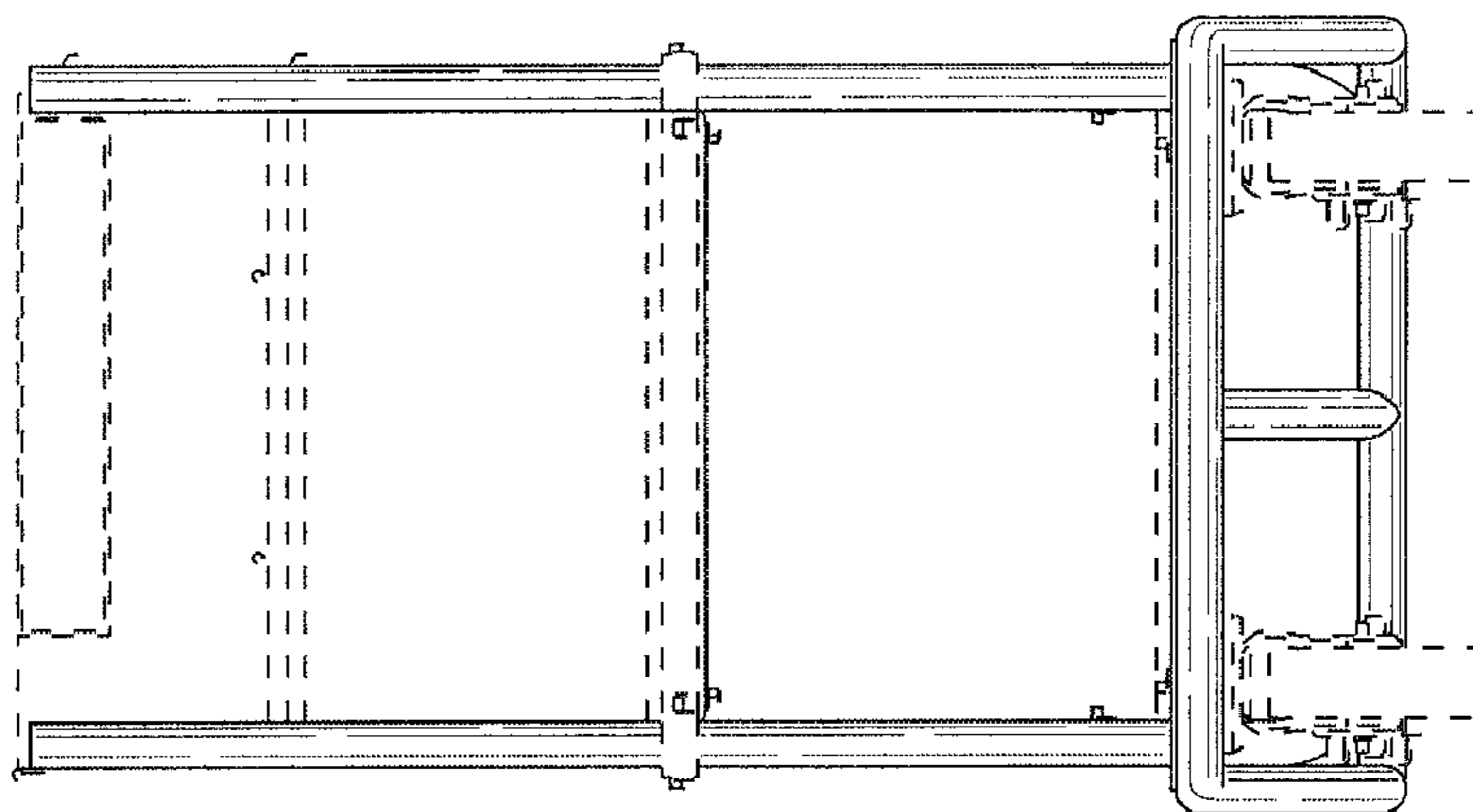


Fig. 6

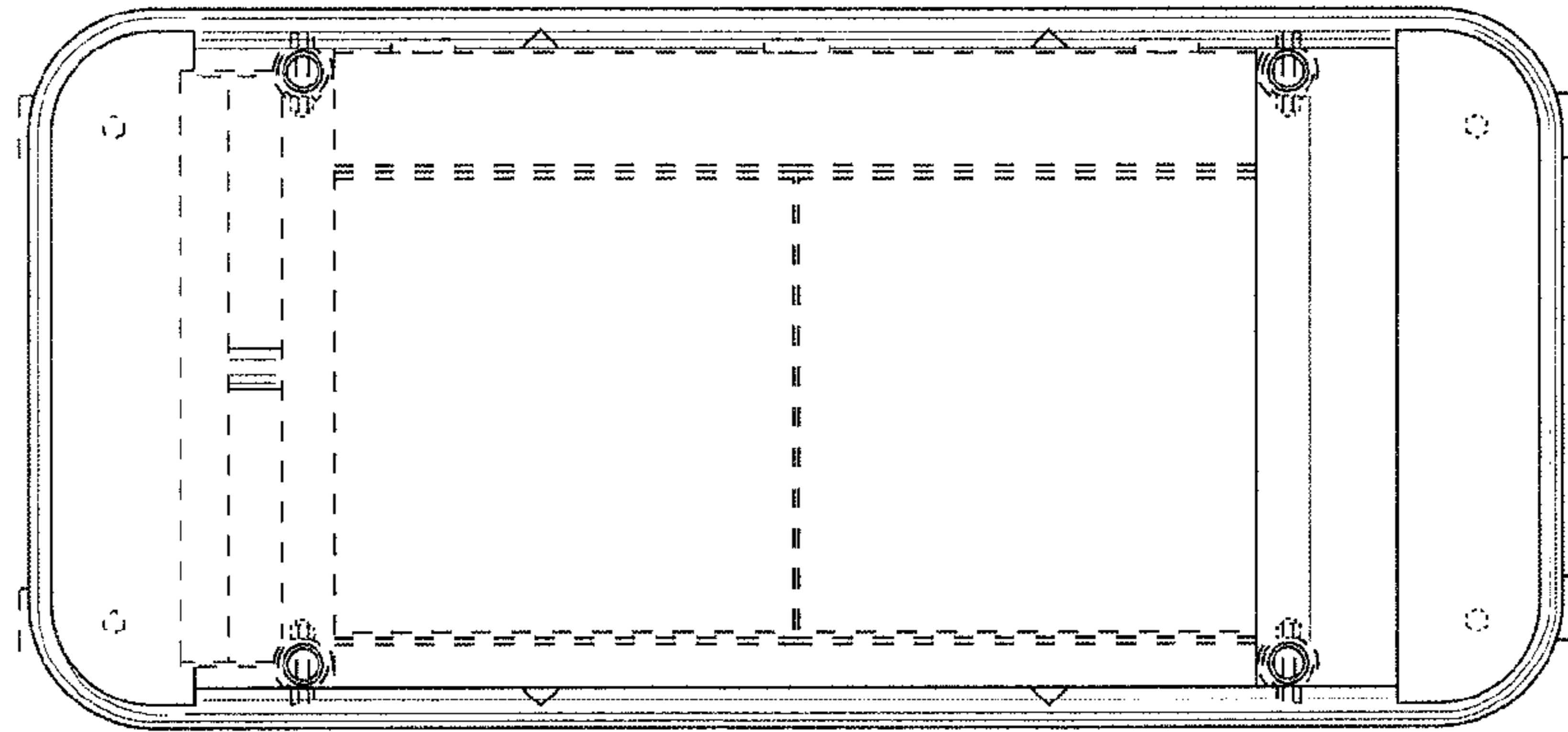


Fig. 7

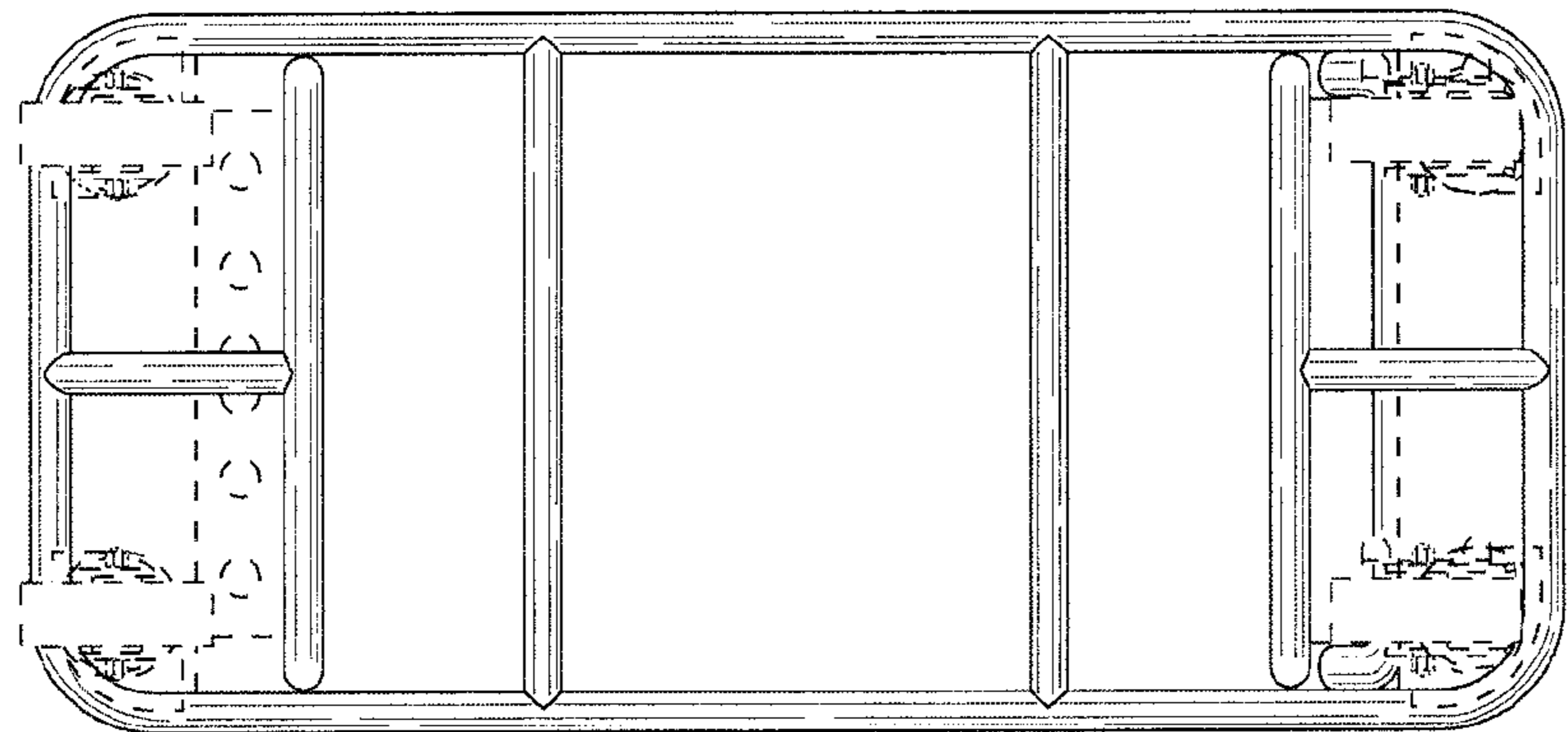


Fig. 8