



US00D588317S

(12) **United States Design Patent**
Spence

(10) **Patent No.:** **US D588,317 S**
(45) **Date of Patent:** **** Mar. 10, 2009**

(54) **CLEANING APPLIANCE**

(75) Inventor: **Nicholas Timothy Spence**, Hampshire
(GB)

(73) Assignee: **Dyson Limited**, Wiltshire (GB)

(**) Term: **14 Years**

(21) Appl. No.: **29/287,015**

(22) Filed: **Jun. 19, 2007**

(30) **Foreign Application Priority Data**

Dec. 22, 2006 (GB) 4000939

(51) **LOC (9) Cl.** **15-05**

(52) **U.S. Cl.** **D32/31**

(58) **Field of Classification Search** D32/21-24,
D32/31, 34, 16, 30; 15/320-321, 323, 327.1-327.7,
15/329, 335, 340.2, 351, 353, 361, 410-412,
15/246.2, 246.5, DIG. 10, 347, 350; 285/7;
55/DIG. 3, 345, 337, 459.1, 418, 471, 318,
55/429; 95/271

See application file for complete search history.

(56) **References Cited**

U.S. PATENT DOCUMENTS

D518,611 S * 4/2006 Hare D32/21
D555,849 S * 11/2007 Choi et al. D32/21
D555,851 S * 11/2007 Shin et al. D32/21
D555,852 S * 11/2007 Shin et al. D32/21

D556,962 S * 12/2007 Choi et al. D32/21
D557,469 S * 12/2007 Choi et al. D32/21
D557,470 S * 12/2007 Choi et al. D32/21

* cited by examiner

Primary Examiner—Ruth McInroy

(74) *Attorney, Agent, or Firm*—Morrison & Foerster LLP

(57) **CLAIM**

I claim the ornamental design for a cleaning appliance, as shown and described.

DESCRIPTION

FIG. 1 is a perspective view from above, front and one side of a cleaning appliance showing my new design;

FIG. 2 is a top plan view thereof;

FIG. 3 is a bottom view thereof;

FIG. 4 is a side view thereof;

FIG. 5 is a side view of the opposite side of FIG. 4;

FIG. 6 is a front view thereof;

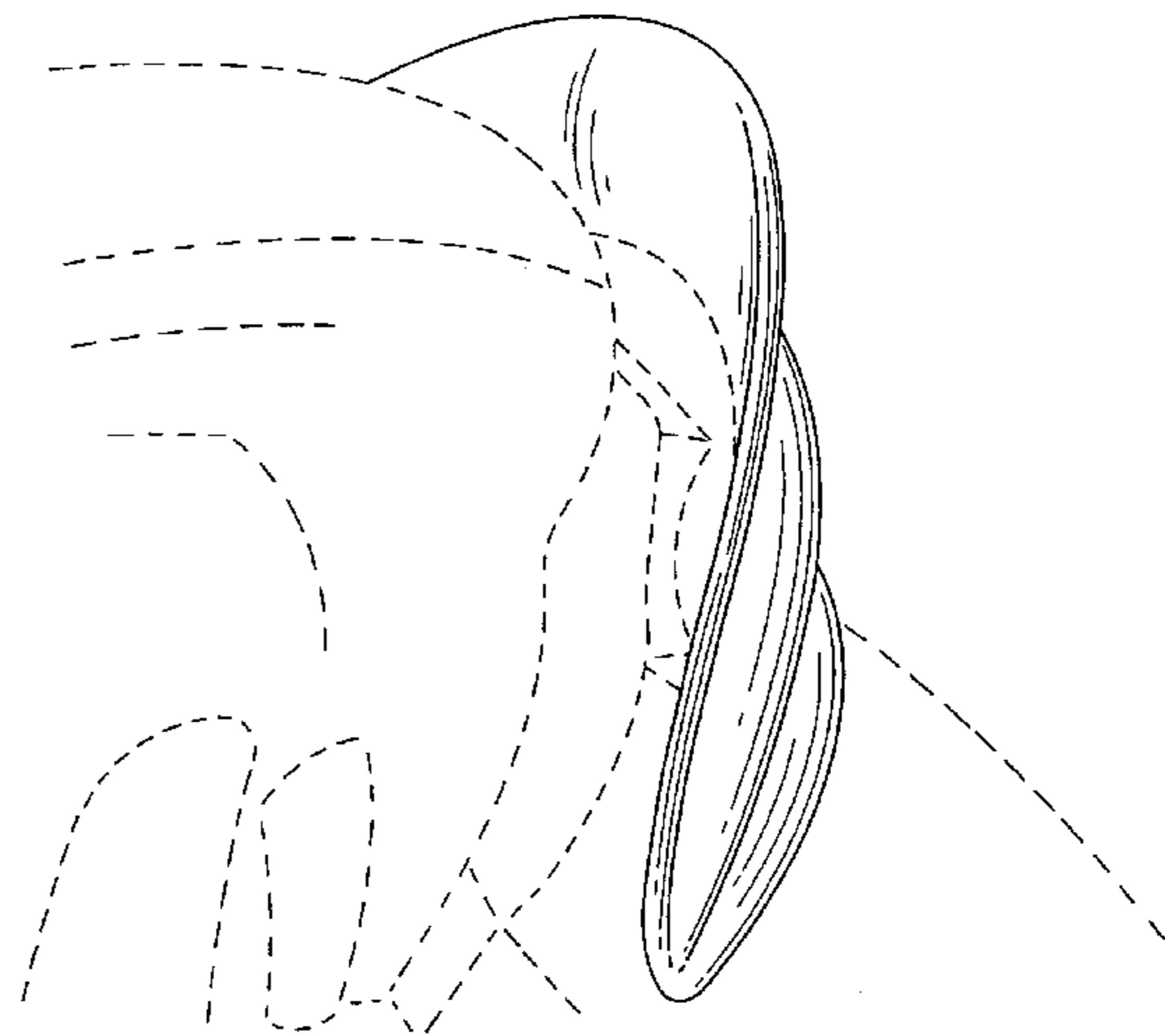
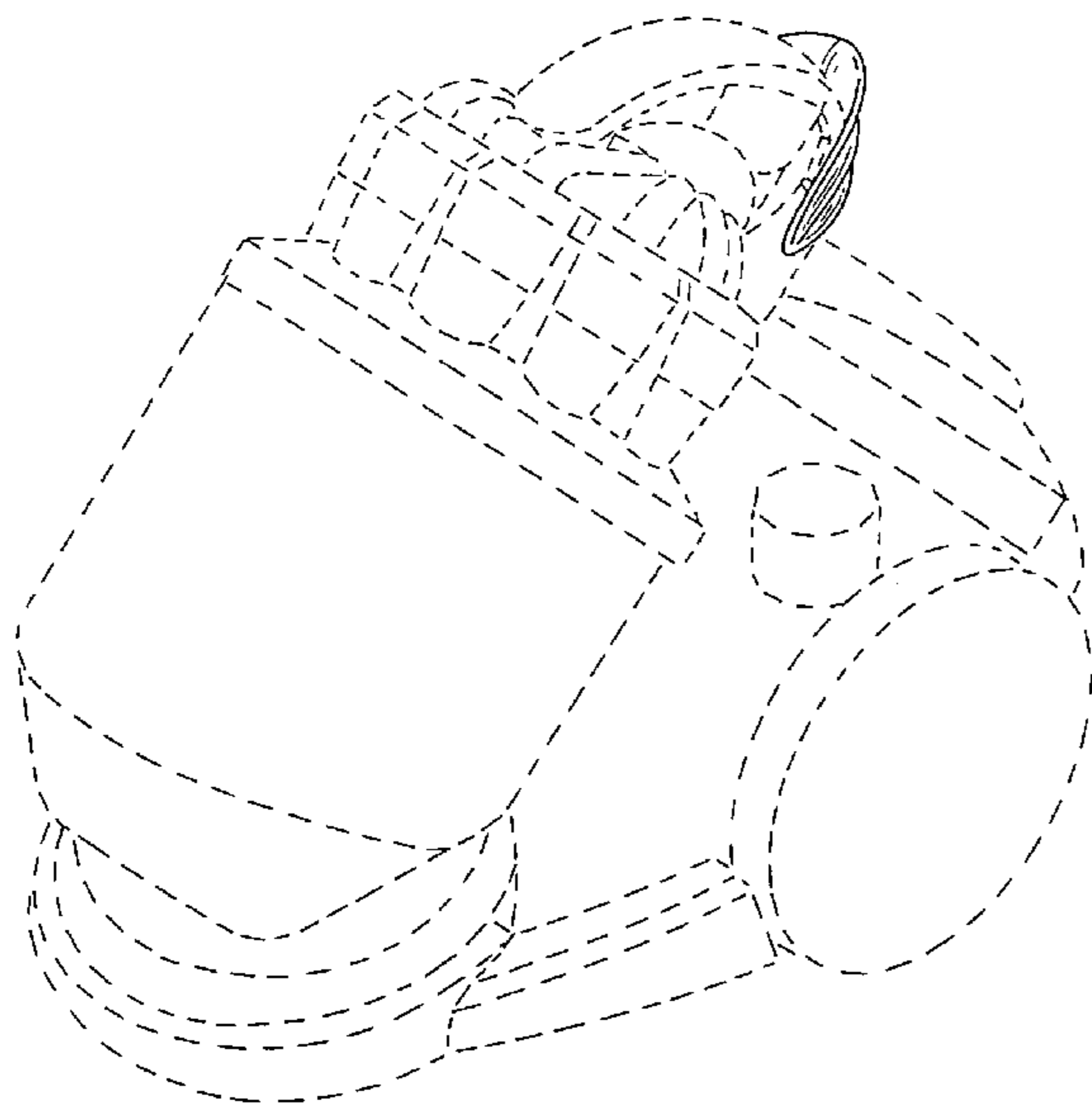
FIG. 7 is a rear view thereof;

FIG. 8 is an enlarged perspective view from above, rear and one side; and,

FIG. 9 is an enlarged perspective view from above, front and one side.

The details shown in broken lines form no part of the claimed design.

1 Claim, 9 Drawing Sheets



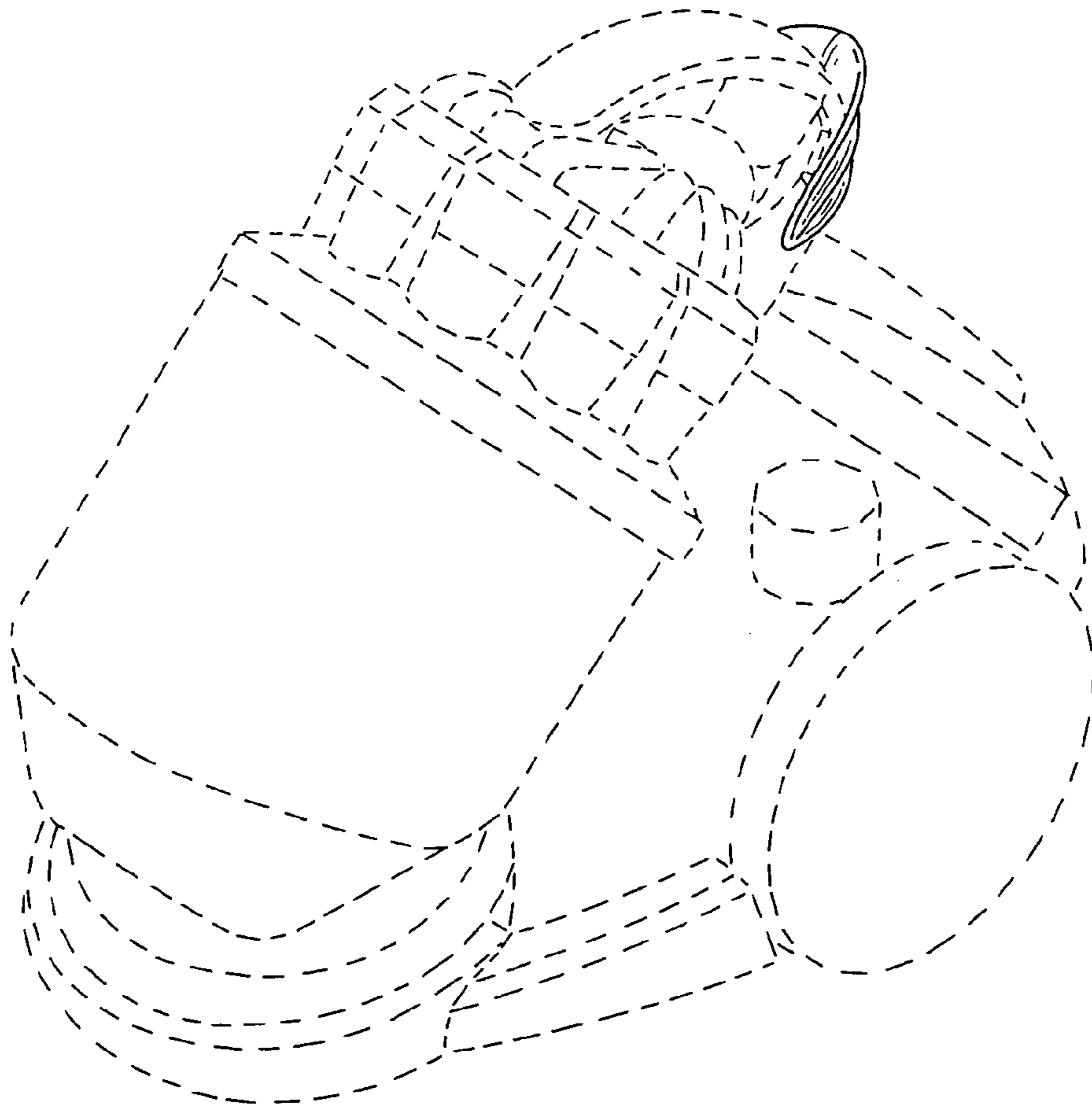


Fig. 1

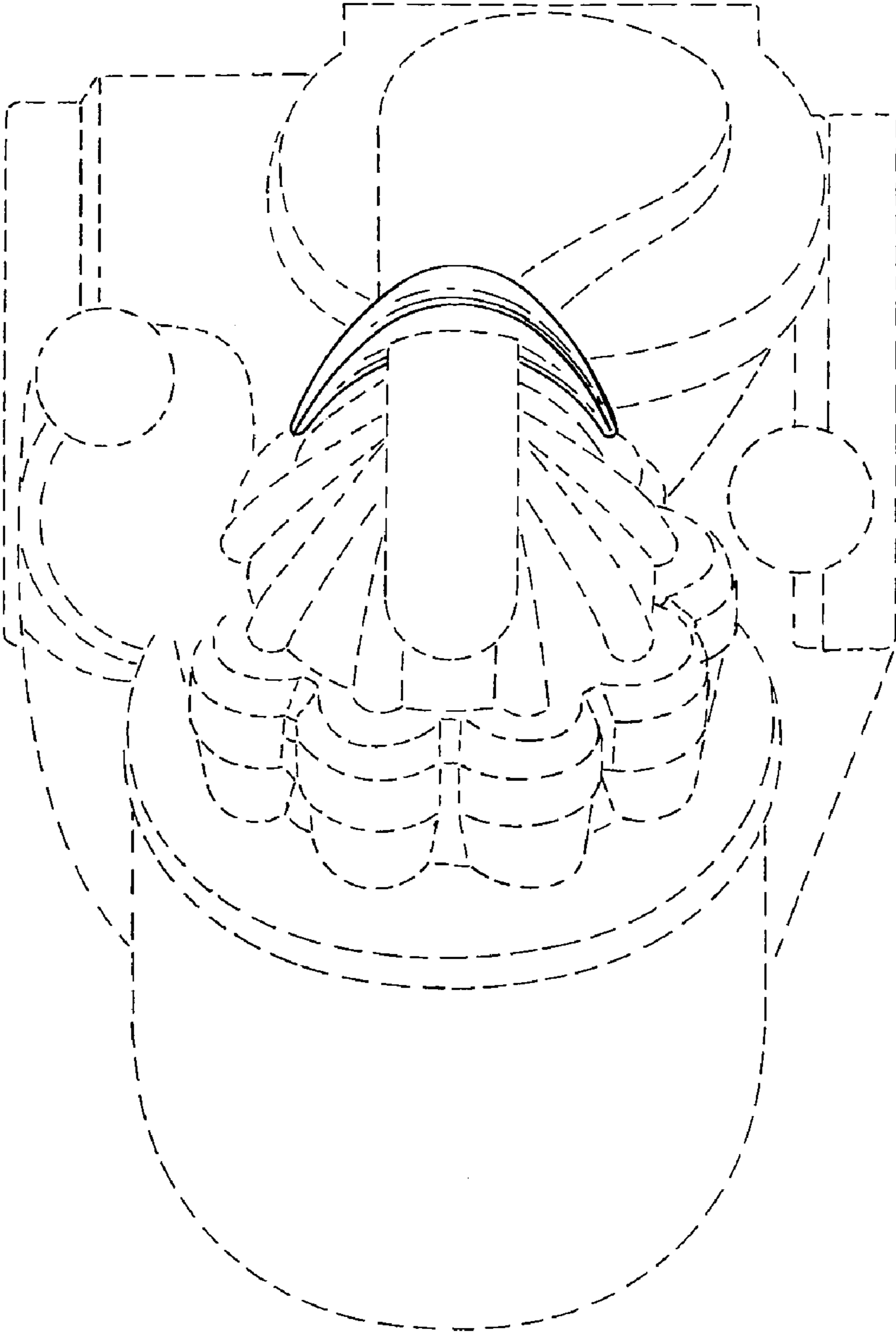


Fig. 2

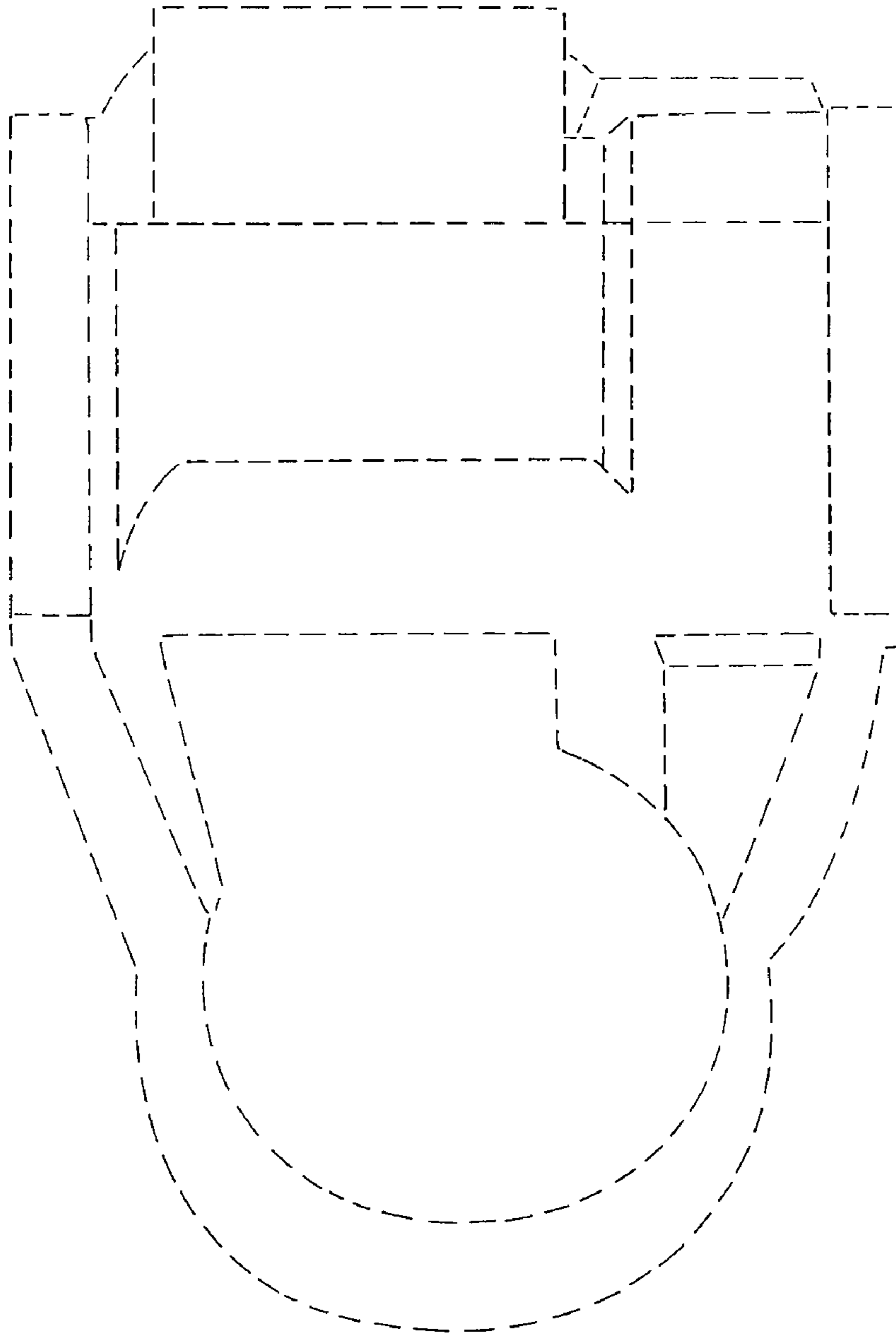


Fig. 3

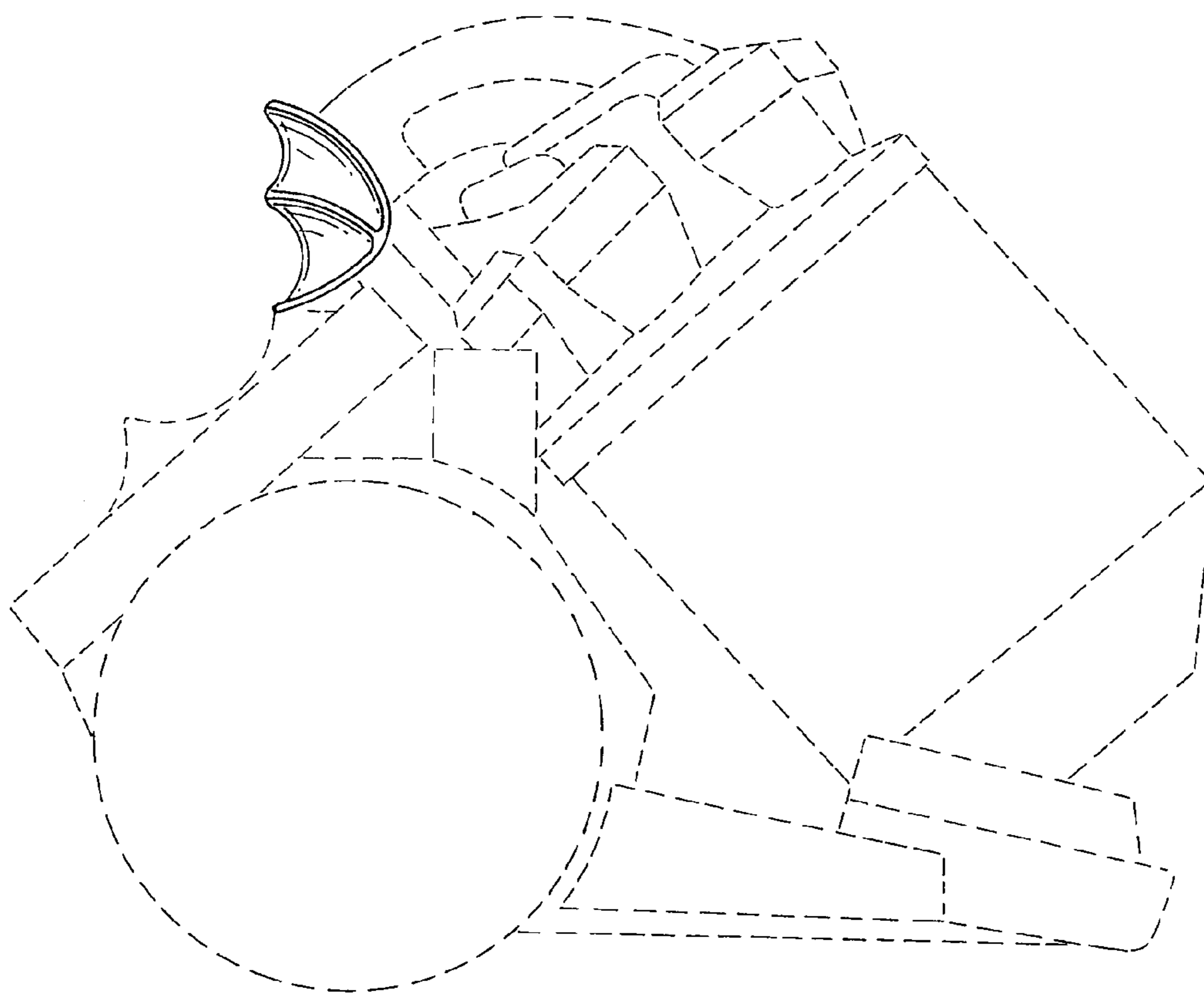


Fig. 4

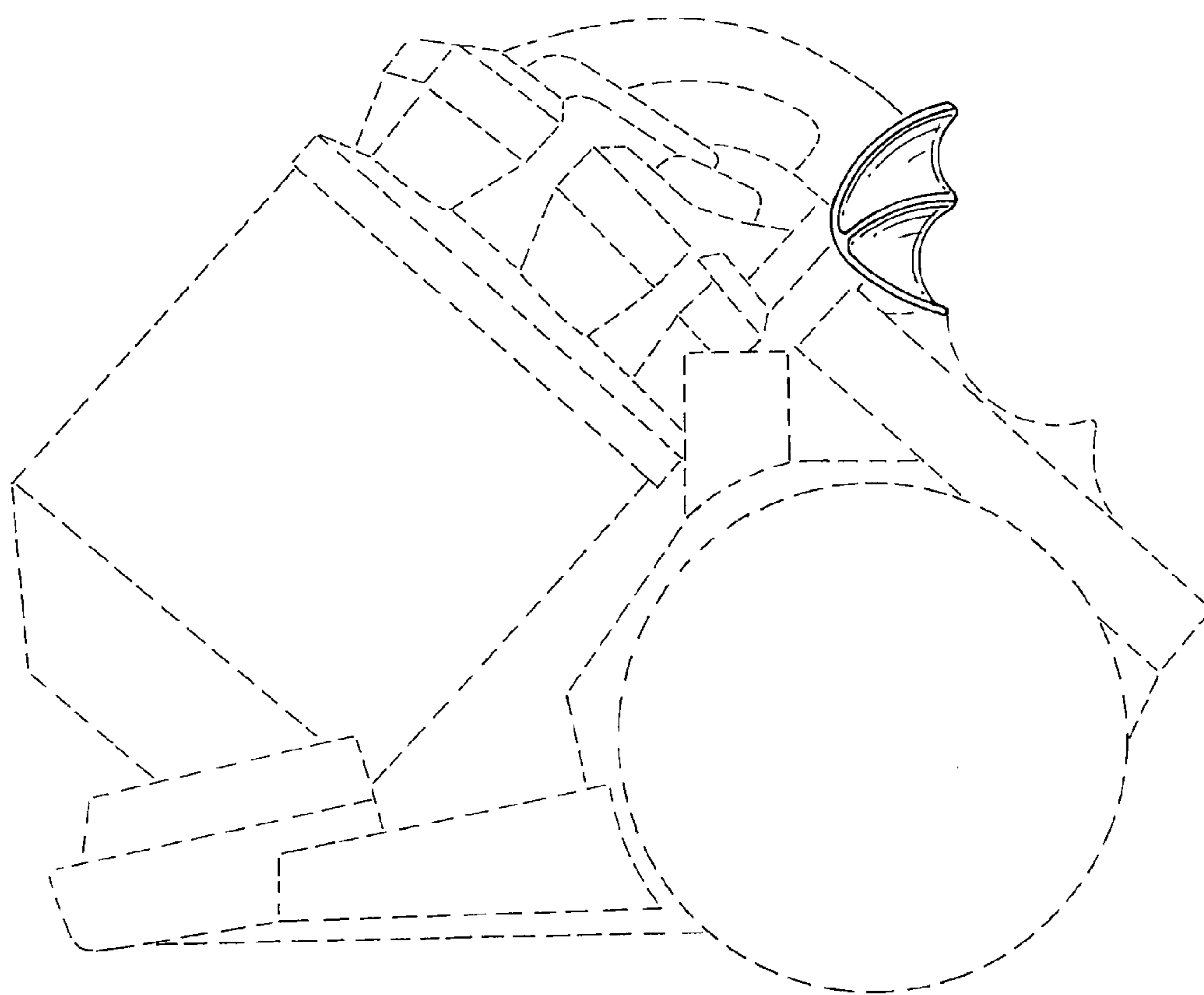


Fig. 5

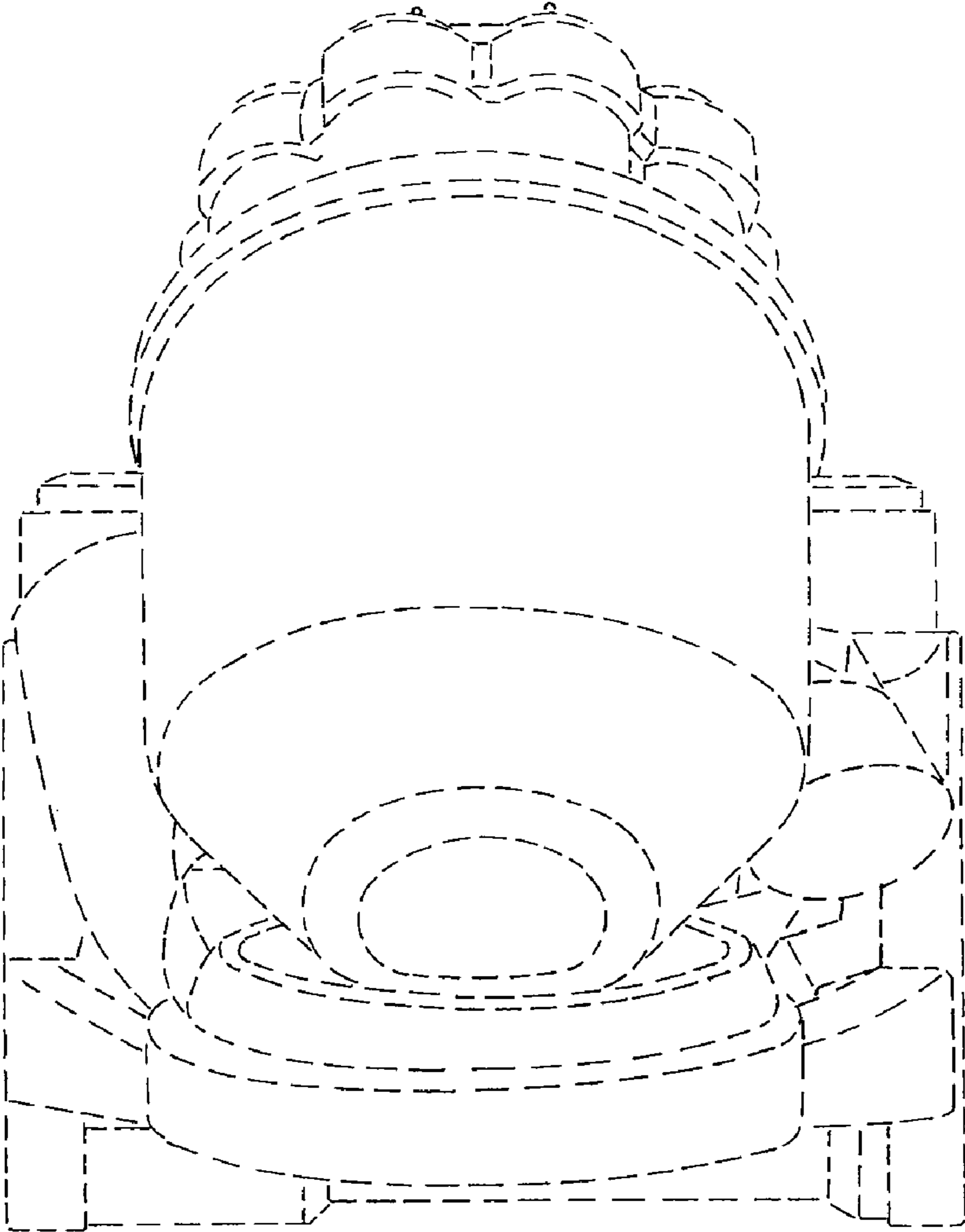


Fig. 6

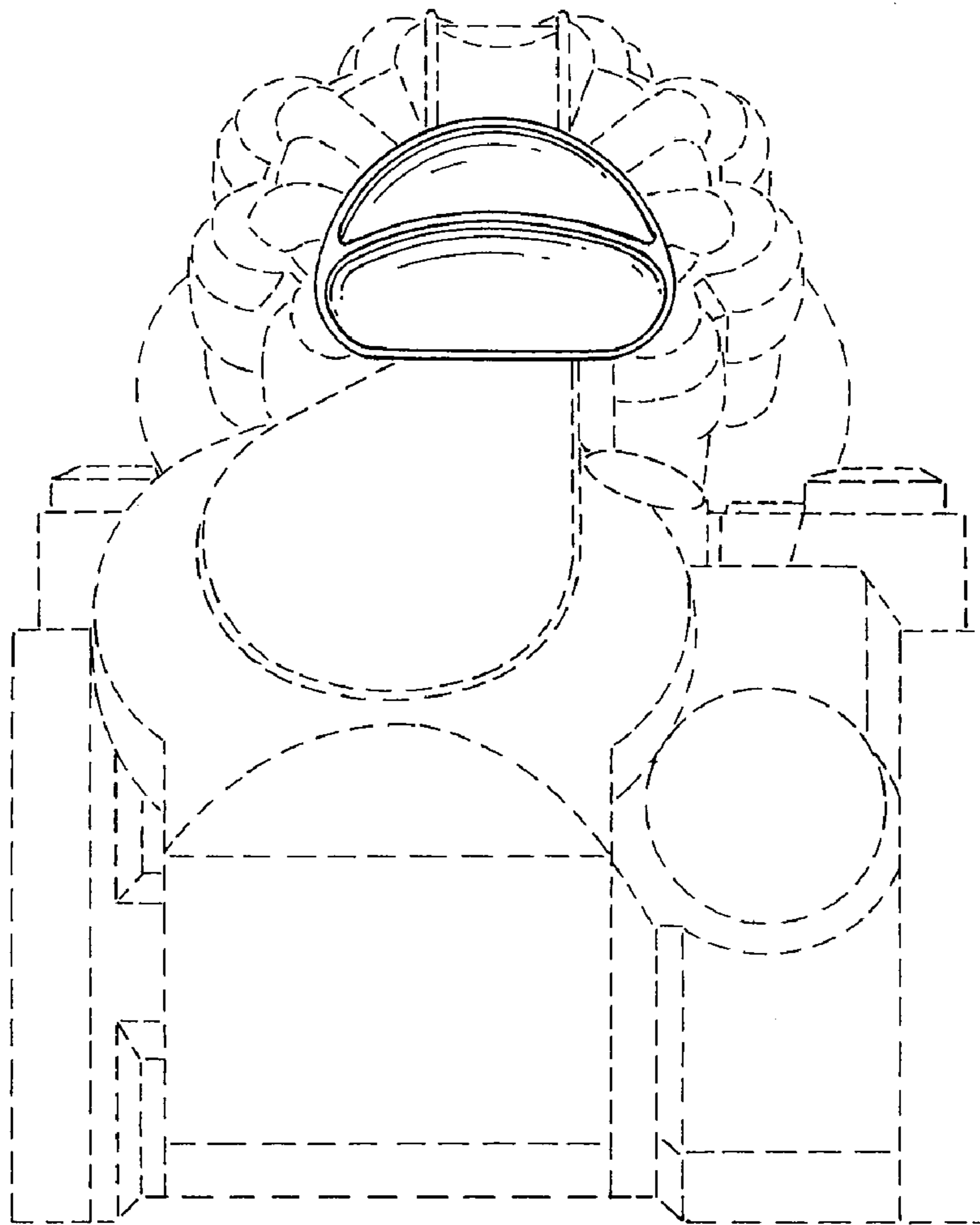


Fig. 7

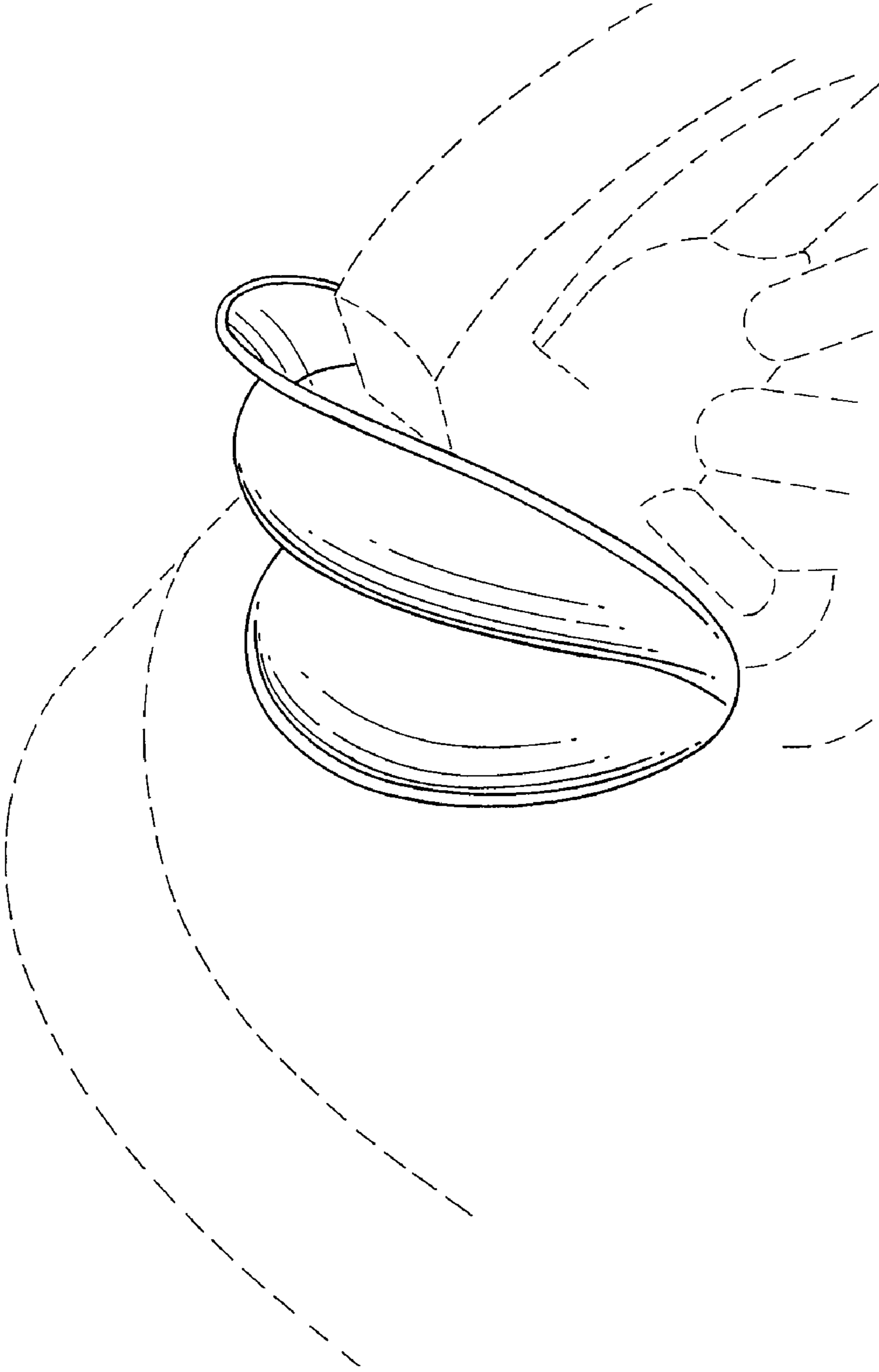


Fig. 8

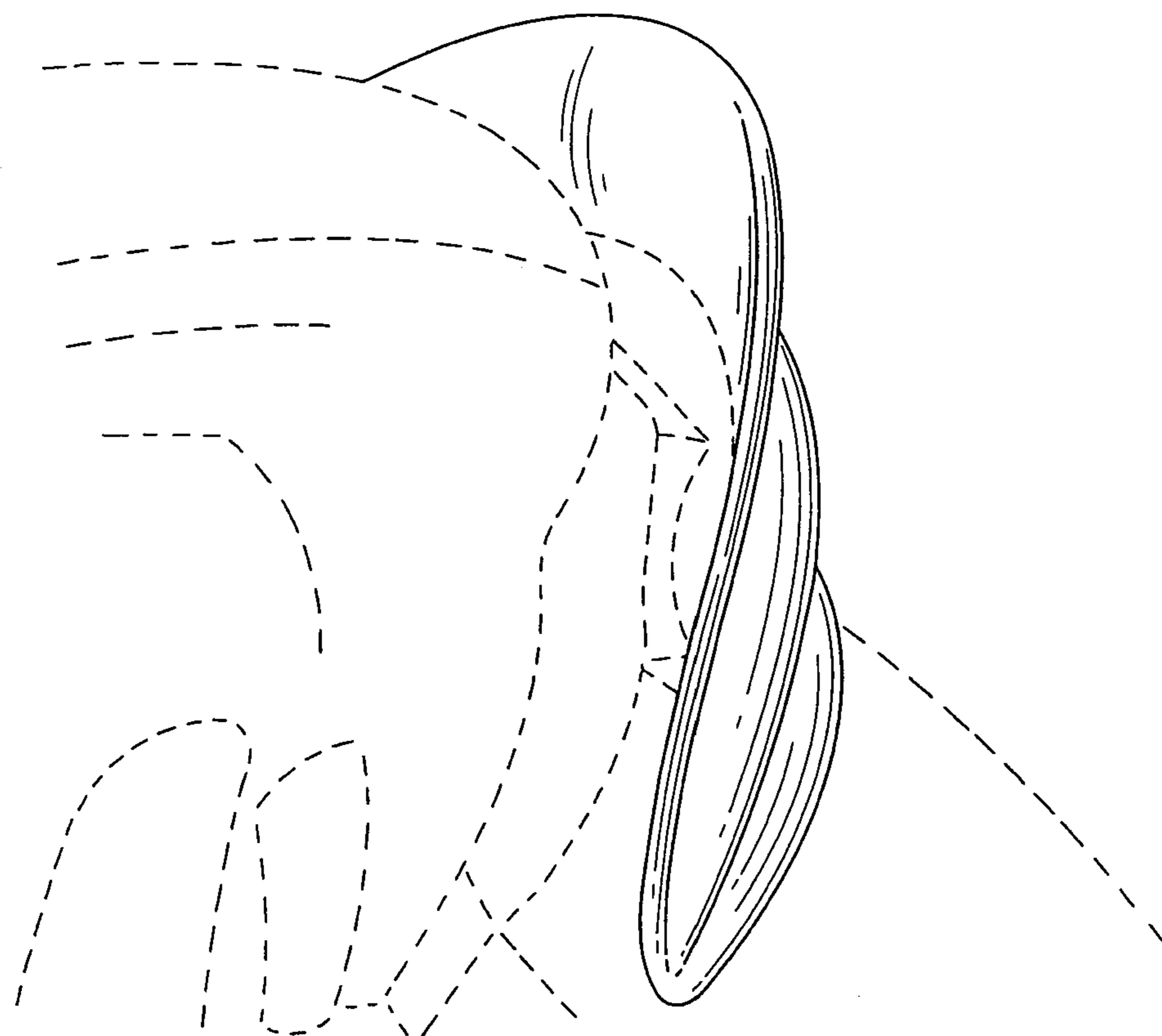


Fig. 9